



US00D972854S

(12) **United States Design Patent** (10) **Patent No.:** **US D972,854 S**
Belov (45) **Date of Patent:** **** Dec. 20, 2022**

(54) **BED WITH BUILTIN ORTHOPEDIC HEADBOARD**

(71) Applicant: **Evgeny Leonidovich Belov**, Moscow (RU)

(72) Inventor: **Evgeny Leonidovich Belov**, Moscow (RU)

(73) Assignee: **Roman Evgenyevich Belov**, Haifa (IL)

(**) Term: **15 Years**

(21) Appl. No.: **35/511,793**

(22) Filed: **Mar. 23, 2021**

(80) **Hague Agreement Data**

Int. Filing Date: **Mar. 23, 2021**

Int. Reg. No.: **DM/213884**

Int. Reg. Date: **Mar. 23, 2021**

Int. Reg. Pub. Date: **May 7, 2021**

(30) **Foreign Application Priority Data**

Mar. 10, 2021 (RU) RU2021501165

(51) **LOC (13) Cl.** **06-02**

(52) **U.S. Cl.**
USPC **D6/393**

(58) **Field of Classification Search**
USPC D6/382, 383, 393, 406.4, 718.23
CPC A47C 19/00; A47C 19/021; A47C 19/022;
A47C 19/025; A47C 19/22; A47C 20/027
See application file for complete search history.

(56) **References Cited**

U.S. PATENT DOCUMENTS

3,621,497 A * 11/1971 Fitzgerald et al. .. A47C 19/025
5/171
D309,169 S * 7/1990 Scheurer D6/382

D382,755 S * 8/1997 Knopfler 5/419
D393,378 S * 4/1998 Hutton D6/393
5,754,998 A * 5/1998 Selton A47C 20/023
5/652
D450,471 S * 11/2001 Dordoni D6/393
D453,639 S * 2/2002 Dordoni D6/393
D548,479 S * 8/2007 Clark D6/333
D593,340 S * 6/2009 Austen D6/393
D602,708 S * 10/2009 Coleman D6/393
D612,630 S * 3/2010 Coleman D6/393
D615,710 S * 5/2010 Zine D30/118
D644,851 S * 9/2011 Colombo D6/393
D717,064 S * 11/2014 Jourdan D6/393
D747,117 S * 1/2016 Lau D6/393
9,775,451 B1 * 10/2017 Chon A47G 9/10
D809,825 S * 2/2018 Clores D6/601
D845,022 S * 4/2019 Birch D6/393
D846,910 S * 4/2019 Vorraber D6/393
D862,105 S * 10/2019 Liu D6/393
D875,419 S * 2/2020 Glismand D6/382
D878,799 S * 3/2020 Bernhardt D6/393
D899,804 S * 10/2020 Carter D6/393
D941,049 S * 1/2022 Lithgow A47G 9/10
D6/393

(Continued)

FOREIGN PATENT DOCUMENTS

RU 120356 7/2020
RU 121425 9/2020
RU 122863 11/2020

Primary Examiner — Steven J Czyz

(74) *Attorney, Agent, or Firm* — Ladas & Parry LLP

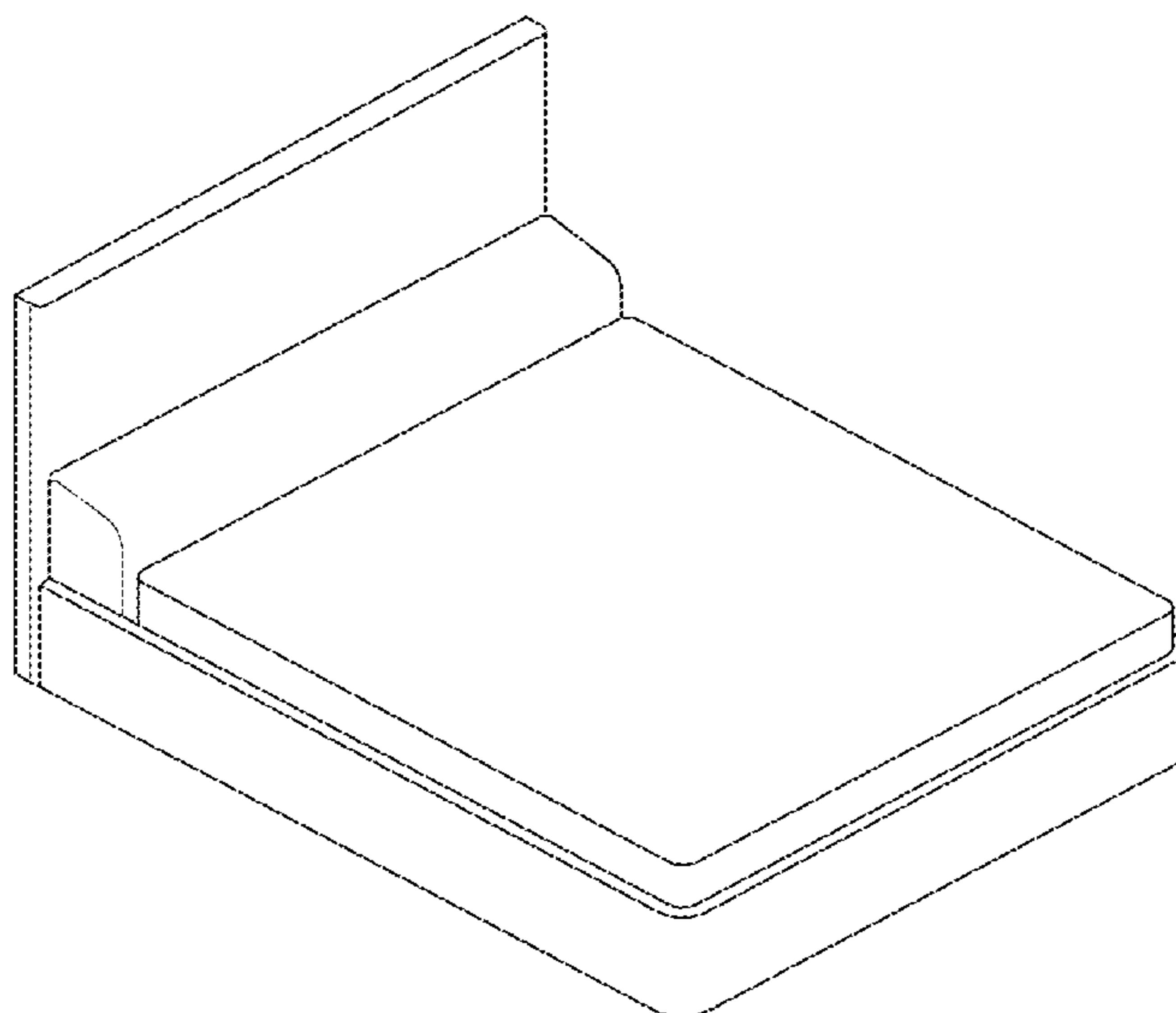
(57) **CLAIM**

The ornamental design for a bed with built-in orthopedic headboard, as shown and described.

DESCRIPTION

- 1. Bed with built-in orthopedic headboard
- 1.1 : Perspective
- 1.2 : Top
- 1.3 : Back

1 Claim, 3 Drawing Sheets



(56)

References Cited

U.S. PATENT DOCUMENTS

D948,884 S * 4/2022 Meneghello A47C 20/023
D6/393
D948,885 S * 4/2022 Meneghello D6/393
2007/0113346 A1 * 5/2007 Dinkha A47C 20/025
5/633
2007/0283500 A1 * 12/2007 Chang A47C 27/082
5/713
2010/0325801 A1 * 12/2010 Tucker A47C 20/027
5/636
2018/0220803 A1 * 8/2018 Blueford G08B 25/10
2021/0052080 A1 * 2/2021 Huang A47C 21/00
2021/0259431 A1 * 8/2021 Wang A61H 23/02
2021/0282564 A1 * 9/2021 Chen A47C 19/005
2021/0378412 A1 * 12/2021 Gao A47C 19/022
2022/0053941 A1 * 2/2022 Chen A47C 19/005

* cited by examiner

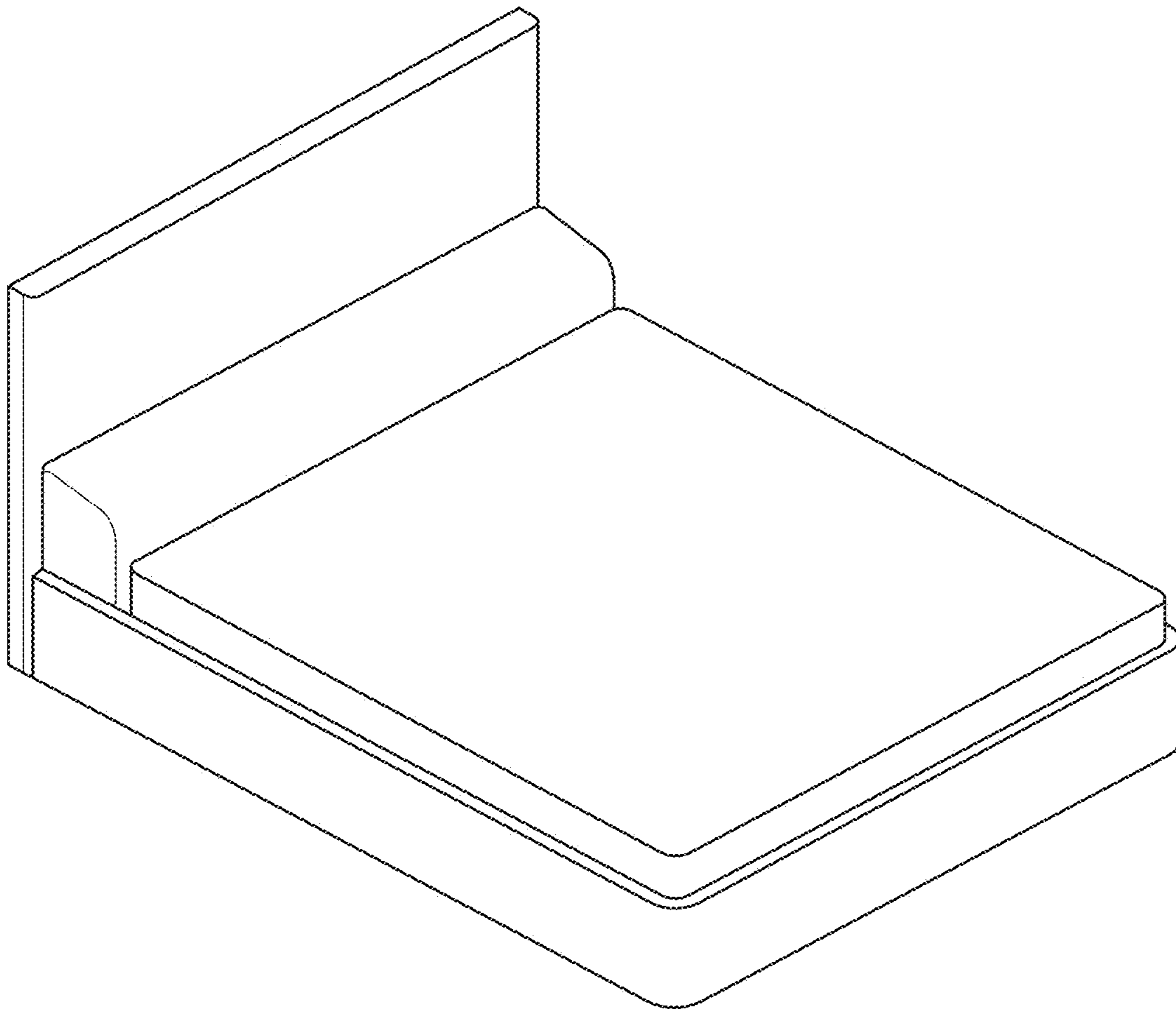
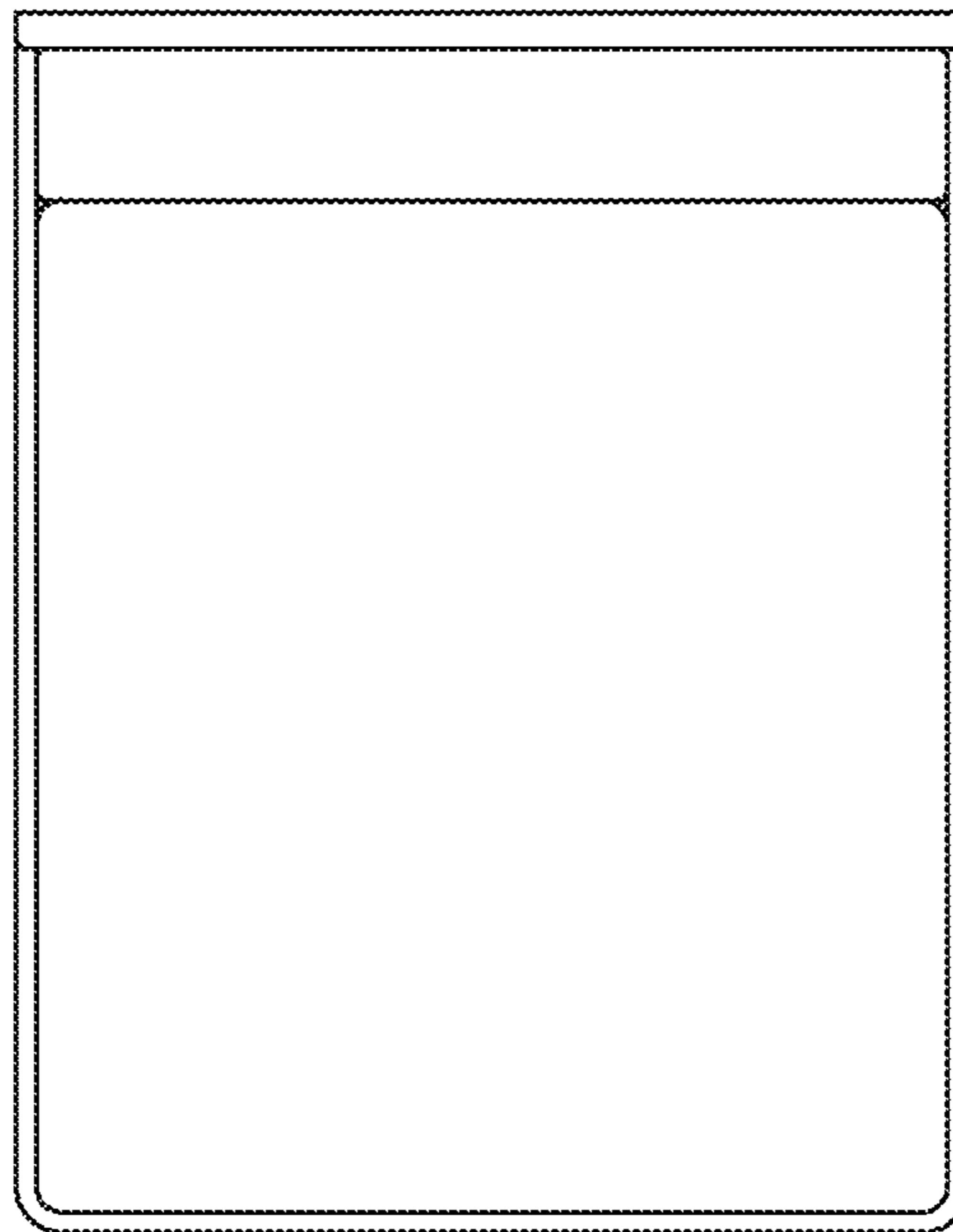


FIG. 1.1

1.2



1.3

