



US00D972852S

(12) **United States Design Patent** (10) **Patent No.:** **US D972,852 S**
Ascalon (45) **Date of Patent:** **** Dec. 20, 2022**

(54) **SEAT**
(71) Applicant: **RH US, LLC**, Corte Madera, CA (US)
(72) Inventor: **Bradley Ascalon**, New York, NY (US)
(73) Assignee: **RH US, LLC**, Corte Madera, CA (US)
(**) Term: **15 Years**

(21) Appl. No.: **29/795,621**
(22) Filed: **Jun. 18, 2021**
(51) **LOC (13) Cl.** **06-01**
(52) **U.S. Cl.**
USPC **D6/375**
(58) **Field of Classification Search**
USPC D6/369, 370, 371, 372, 373, 374, 375,
D6/378, 379
CPC .. A47C 1/02; A47C 4/028; A47C 4/02; A47C
7/02; A47C 7/20; A47C 7/14; A47C 7/44
See application file for complete search history.

(56) **References Cited**

U.S. PATENT DOCUMENTS

D176,985 S	*	2/1956	Lamb	D6/375
D222,450 S	*	10/1971	Brook	D6/373
D227,634 S	*	7/1973	Robinson	D6/373
D279,338 S	*	6/1985	Offredi	D6/373
D295,238 S	*	4/1988	Gammelgaard	D6/381
D426,717 S	*	6/2000	Frinier	D6/370
D431,727 S	*	10/2000	Bell	D6/373
D438,398 S	*	3/2001	Frinier	D6/375
D442,792 S	*	5/2001	Martin	D6/375
D648,157 S	*	11/2011	McCurry	D6/717
D787,216 S	*	5/2017	Pillet	D6/375
D788,482 S	*	6/2017	Maxwell	D6/375
D875,415 S	*	2/2020	Knox	D6/375
D876,854 S	*	3/2020	Baccolini	D6/375
D898,398 S	*	10/2020	Rubio	D6/371

(Continued)

Primary Examiner — Kevin K Rudzinski
Assistant Examiner — Paul D Bohannon
(74) *Attorney, Agent, or Firm* — Lewis Roca Rothgerber
Christie LLP

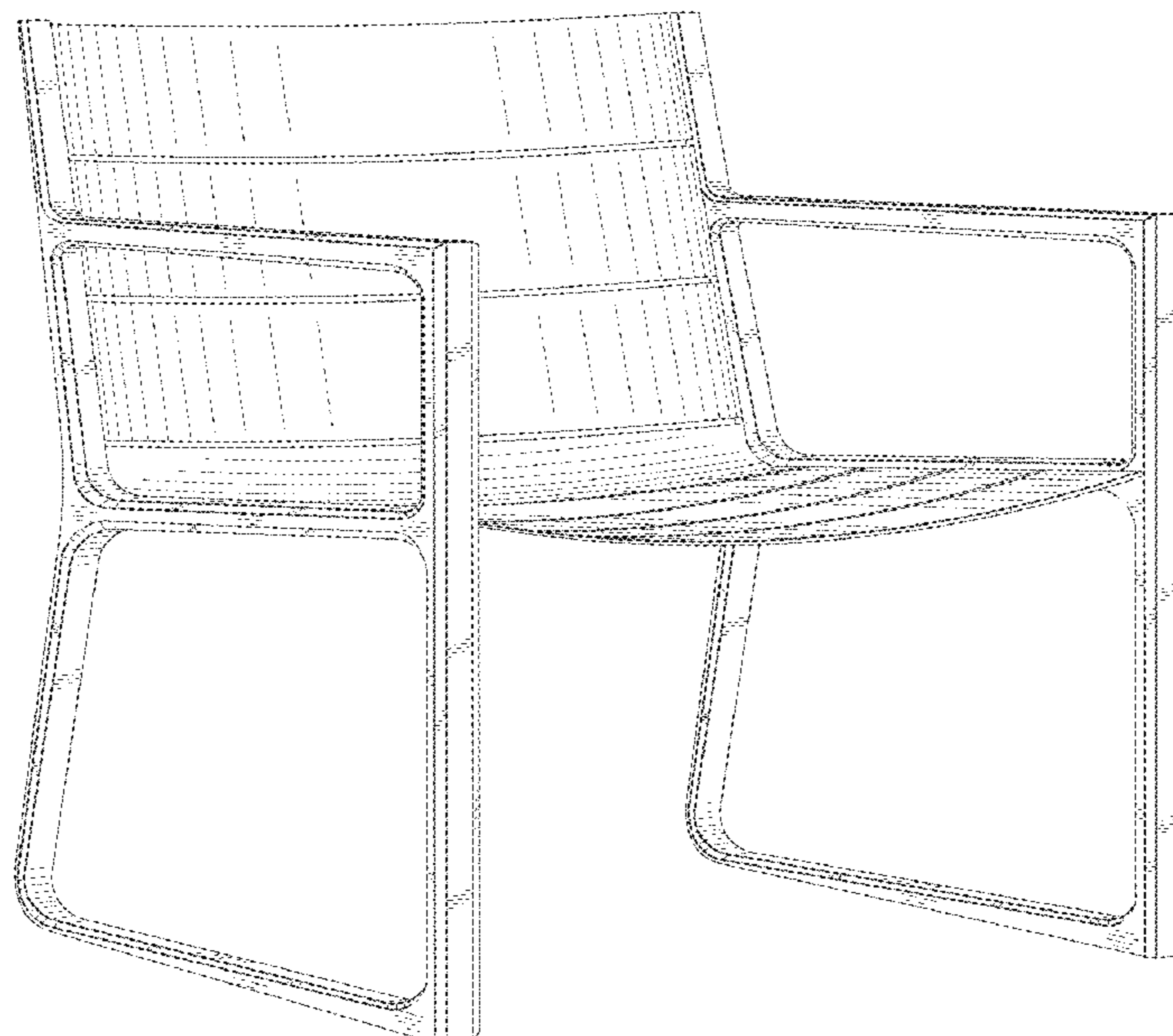
(57) **CLAIM**

The ornamental design for a seat, as shown and described.

DESCRIPTION

FIG. 1 is a front left perspective view of a first embodiment of a seat showing my new design;
FIG. 2 is a rear right perspective view thereof;
FIG. 3 is a right side elevation view thereof, the left side elevation view being a mirror image;
FIG. 4 is a front elevation view thereof;
FIG. 5 is a rear elevation view thereof;
FIG. 6 is a top plan view thereof;
FIG. 7 is a front left perspective view of a second embodiment of a seat showing my new design;
FIG. 8 is a rear right perspective view thereof;
FIG. 9 is a right side elevation view thereof, the left side elevation view being a mirror image;
FIG. 10 is a front elevation view thereof;
FIG. 11 is a rear elevation view thereof;
FIG. 12 is a top plan view thereof;
FIG. 13 is a front left perspective view of a second embodiment of a seat showing my new design;
FIG. 14 is a rear right perspective view thereof;
FIG. 15 is a right side elevation view thereof, the left side elevation view being a mirror image;
FIG. 16 is a front elevation view thereof;
FIG. 17 is a rear elevation view thereof; and,
FIG. 18 is a top plan view thereof.
The second and third embodiments are shown with symbolic break lines in FIGS. 7, 8, 10-14, and 16-18, and those portions of the article between the break lines form no part of the claimed design.

1 Claim, 18 Drawing Sheets



(56)

References Cited

U.S. PATENT DOCUMENTS

D937,598 S * 12/2021 Qin D6/371
D939,233 S * 12/2021 Foersom D6/369

* cited by examiner

FIG. 1

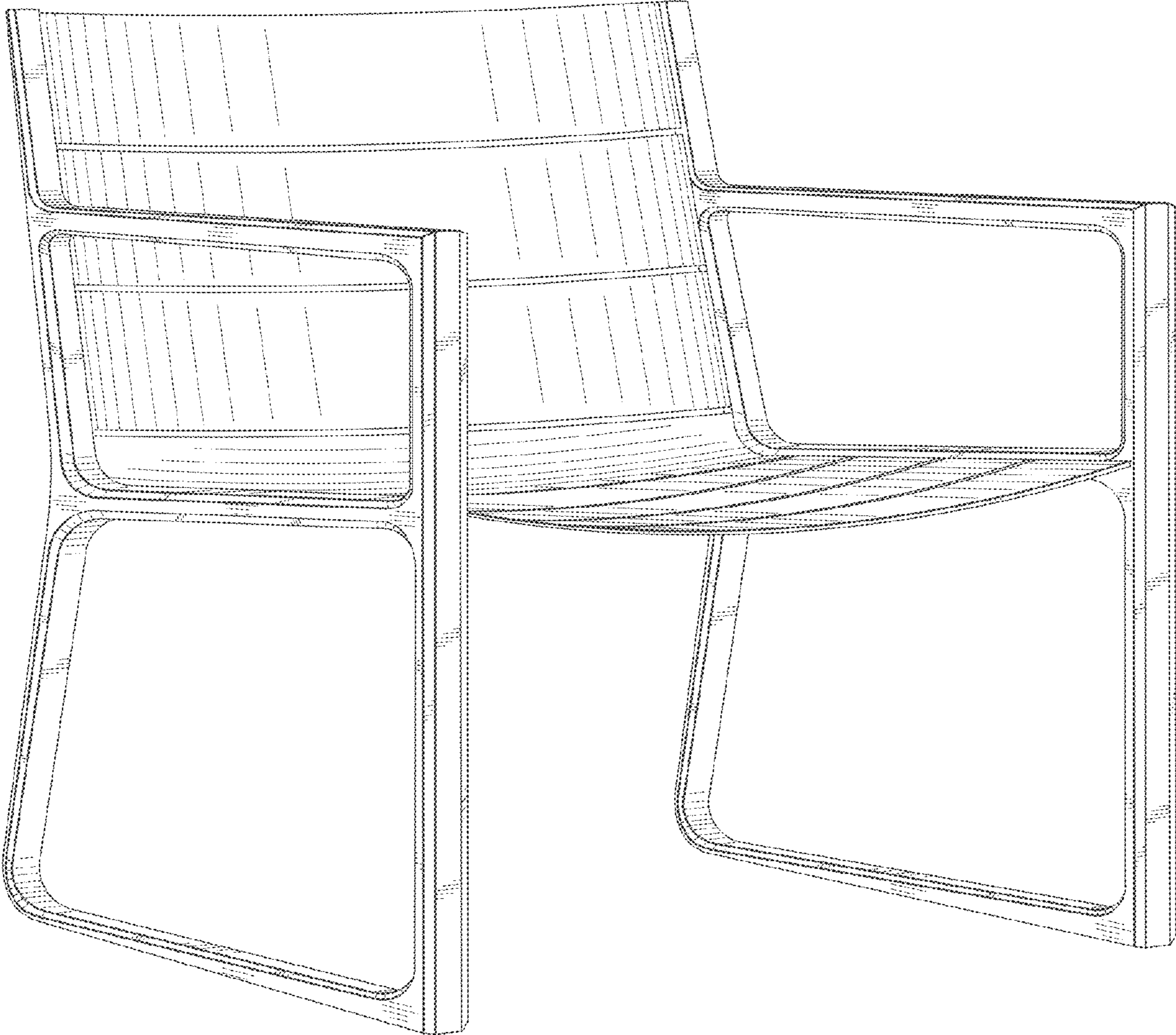


FIG. 2

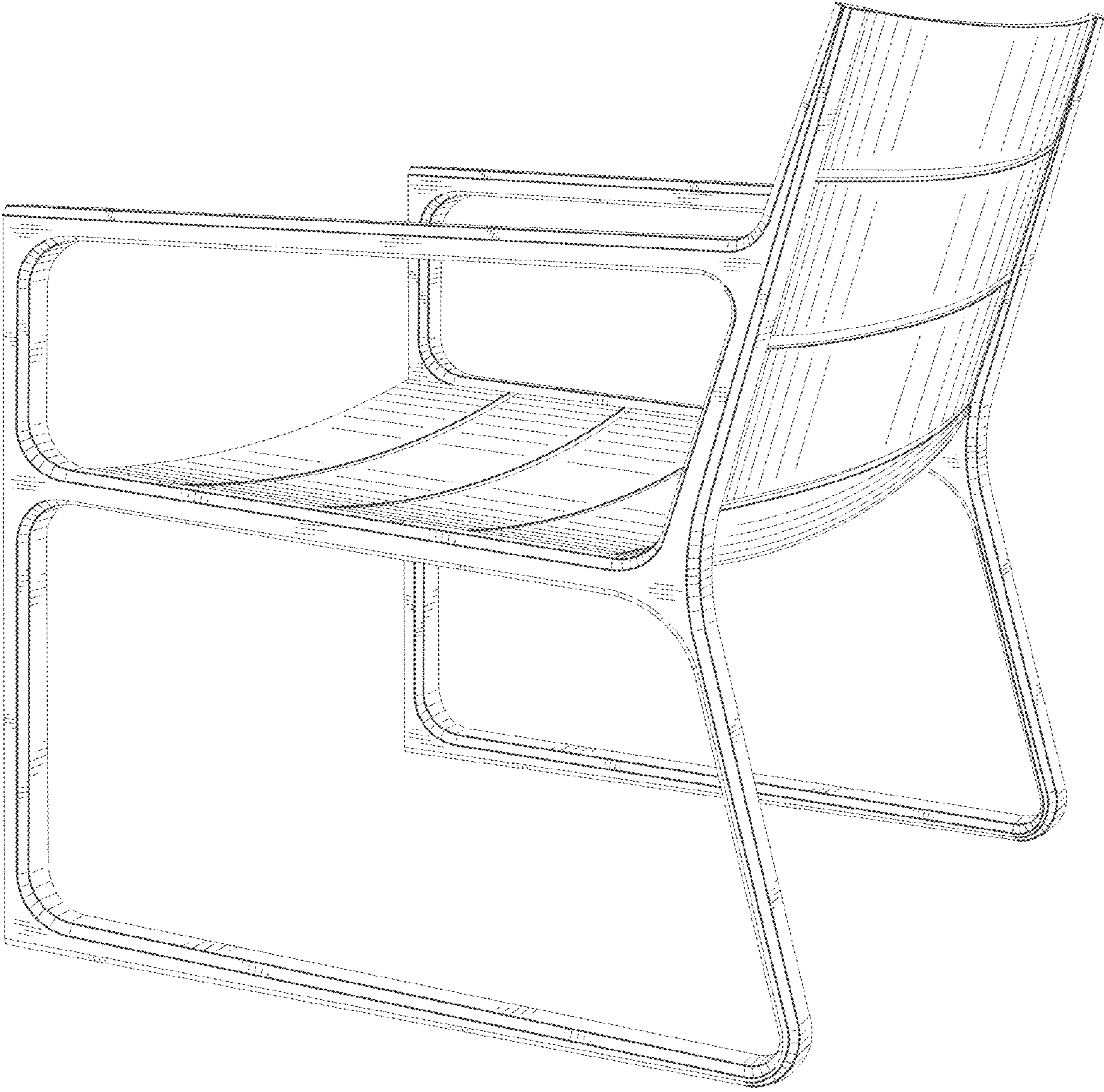


FIG. 3

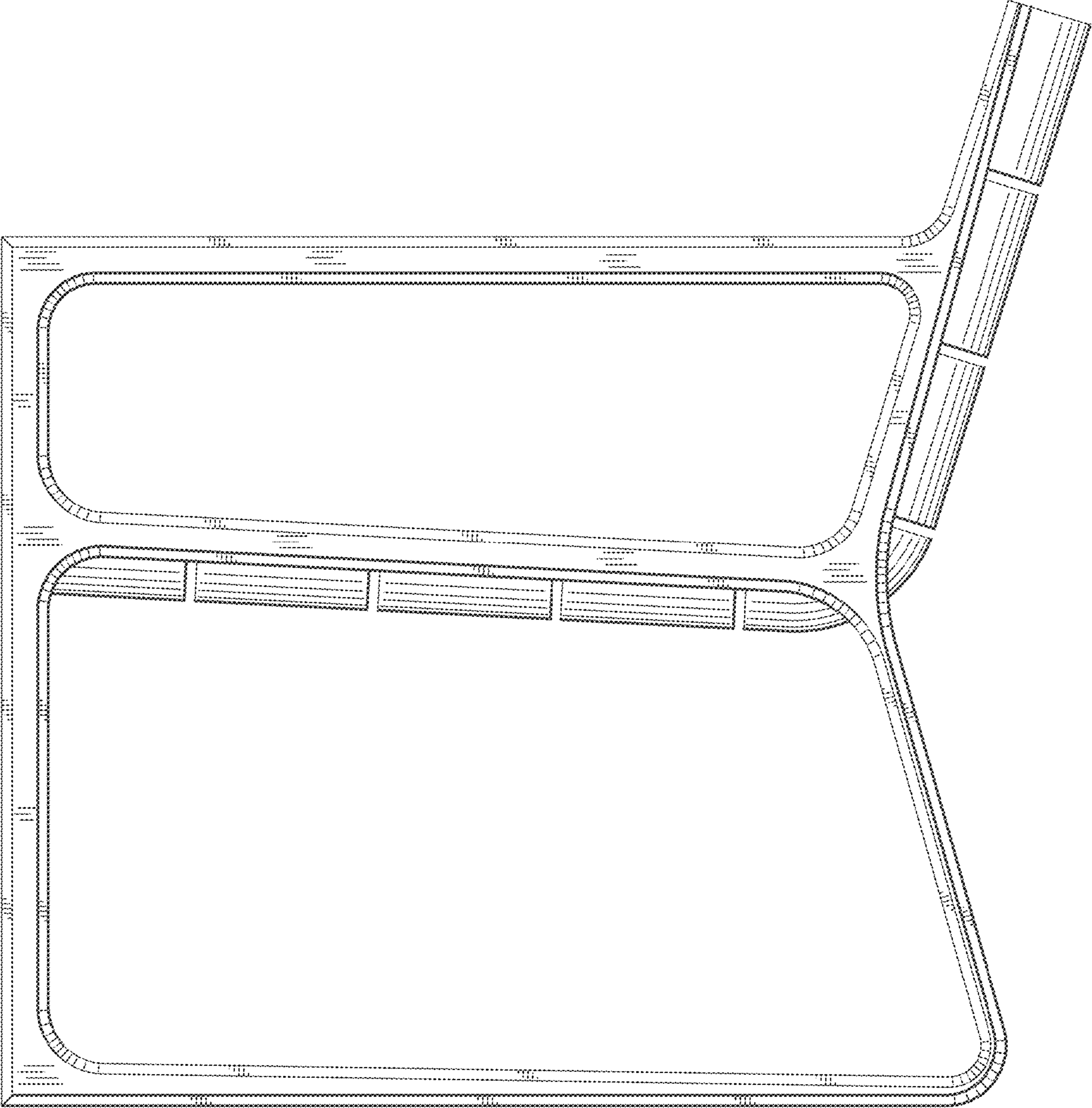


FIG. 4

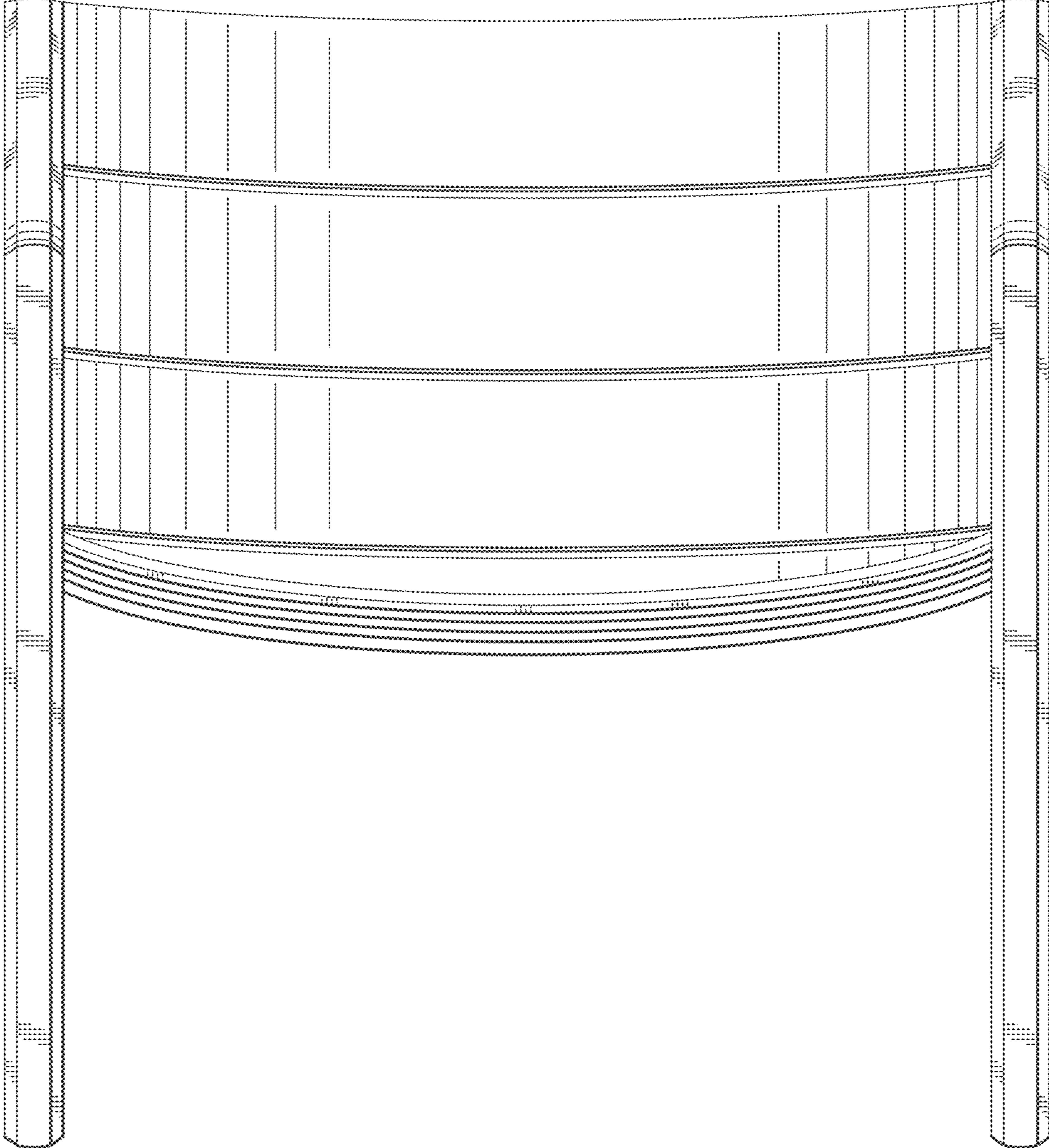


FIG. 5

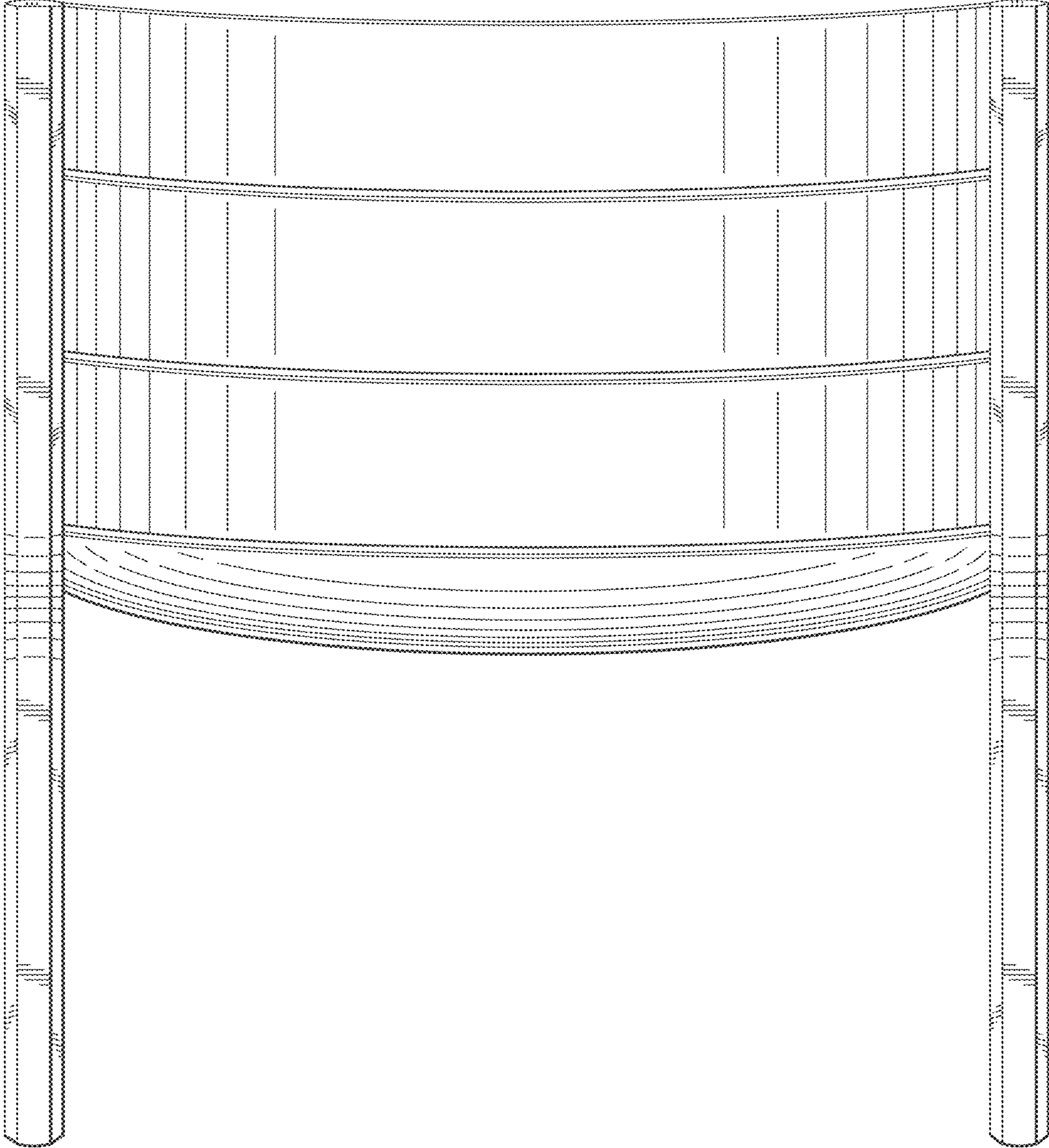


FIG. 6

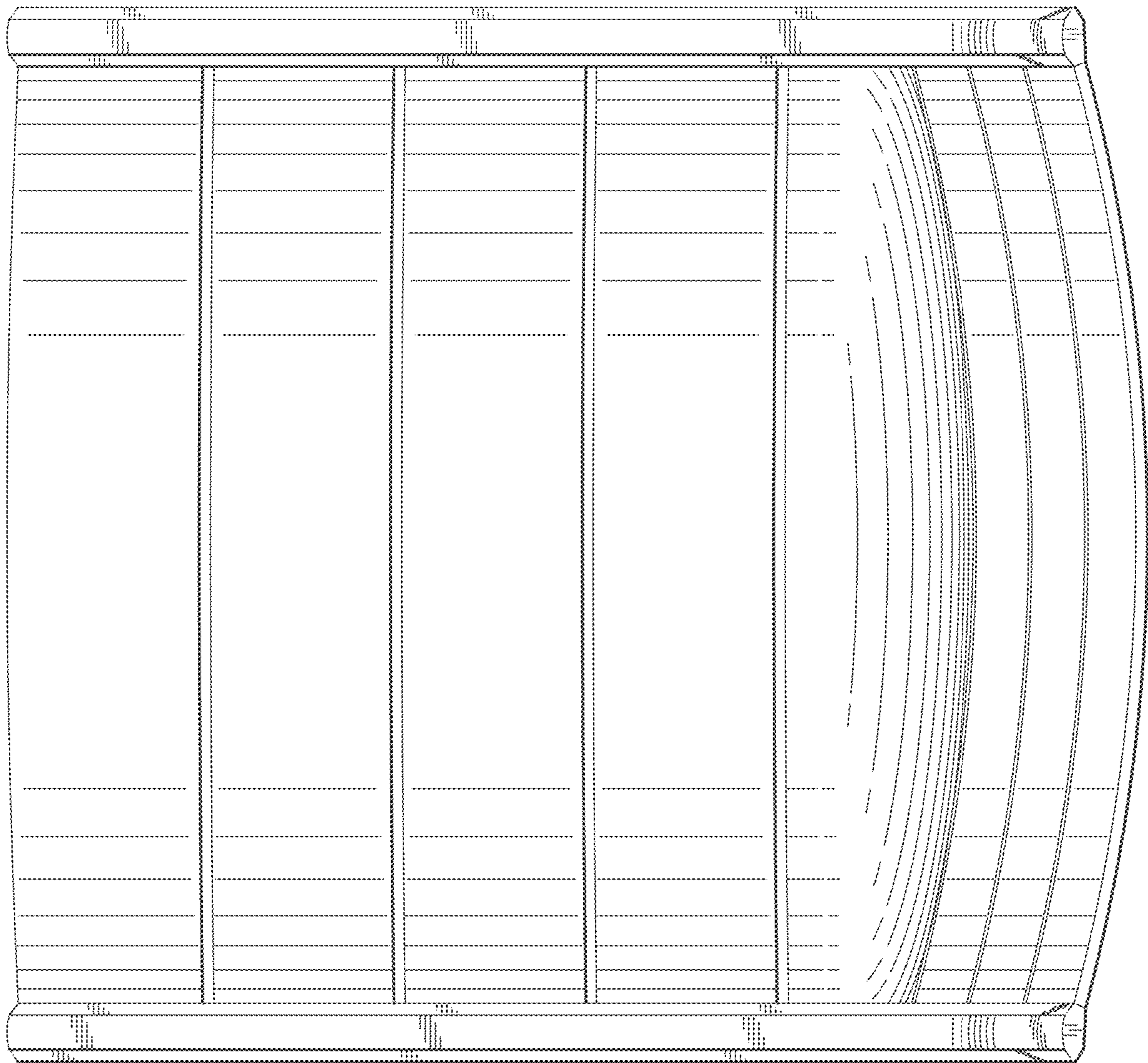


FIG. 7

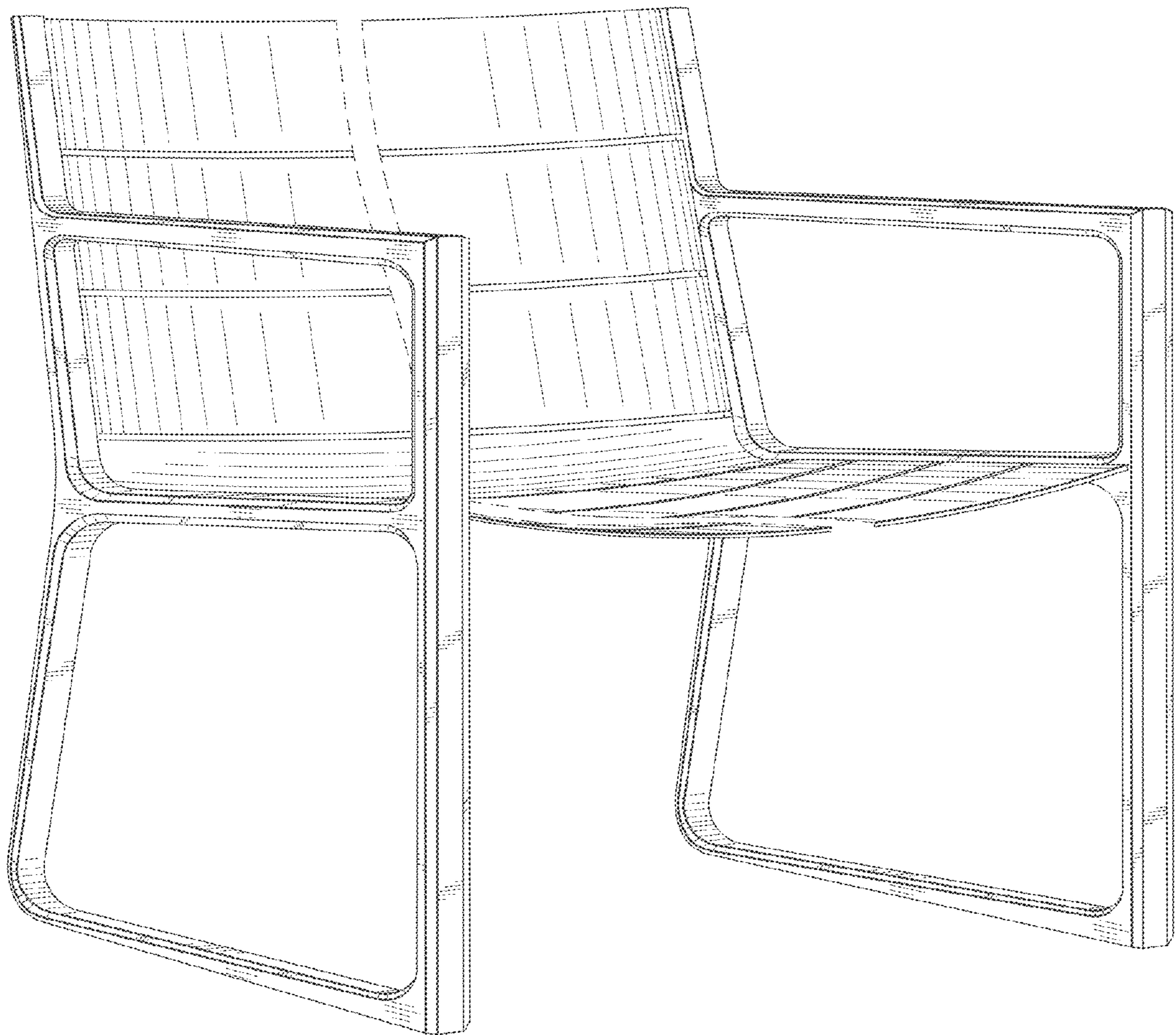


FIG. 8



FIG. 9

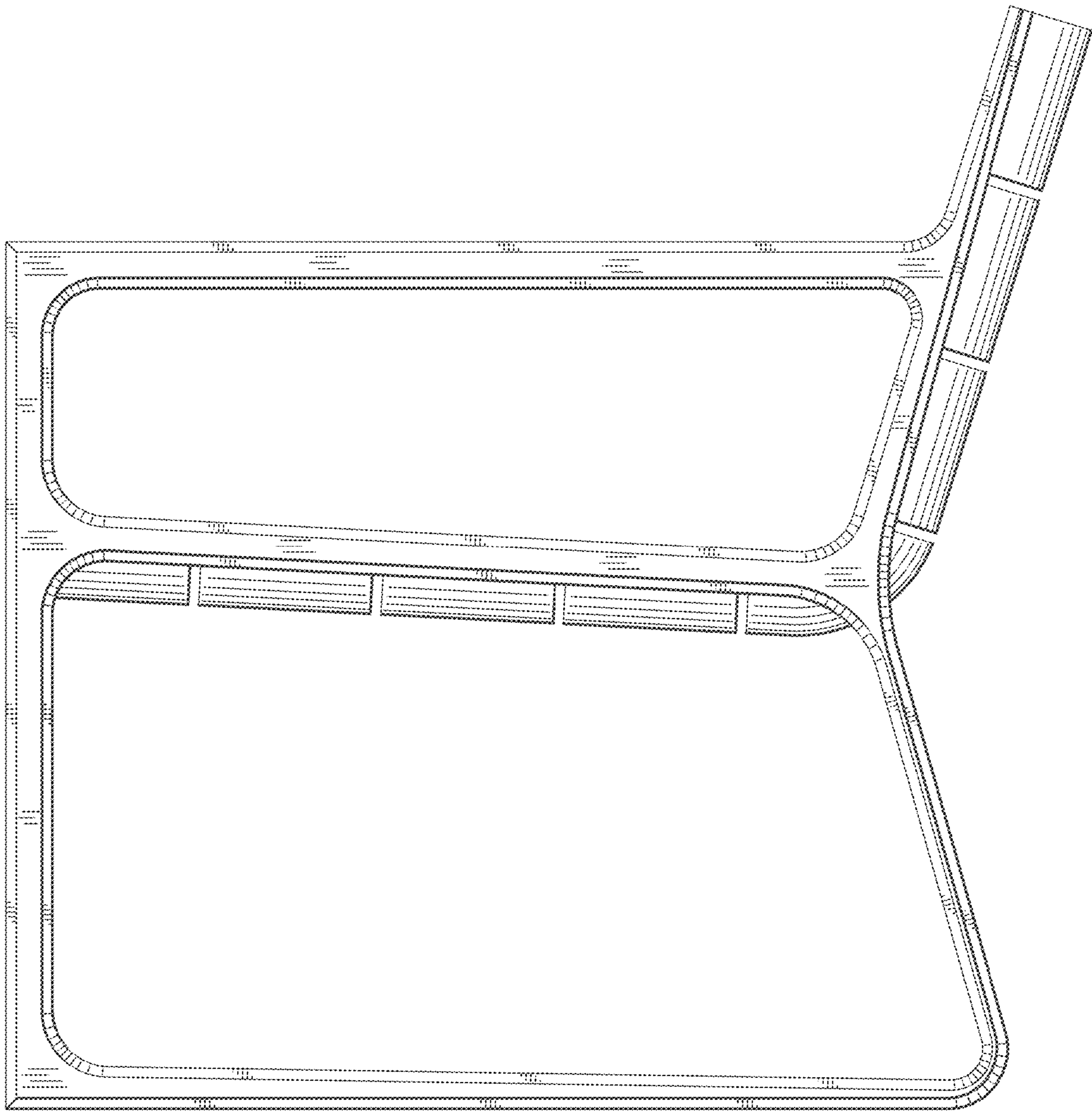


FIG. 10

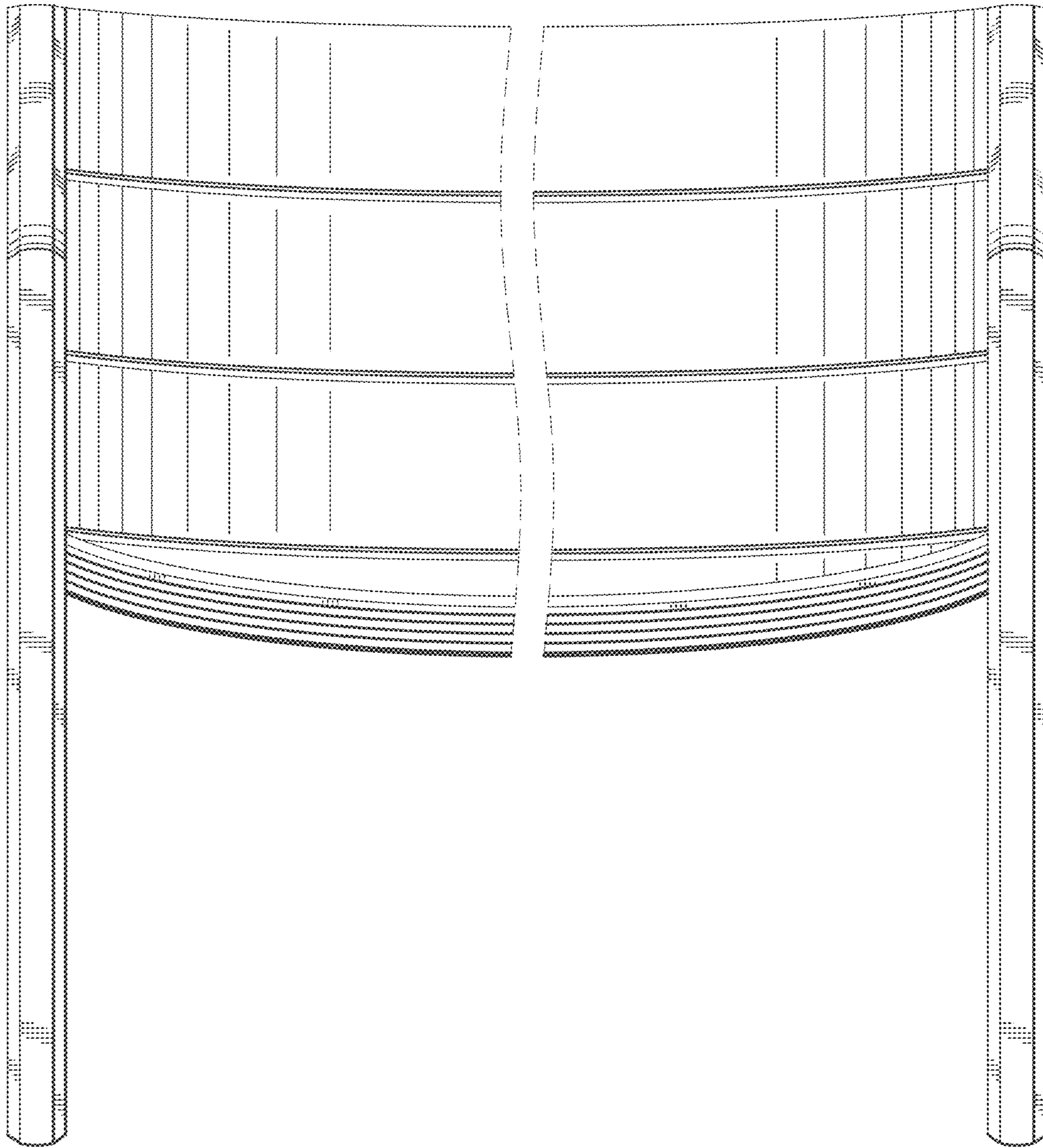


FIG. 11

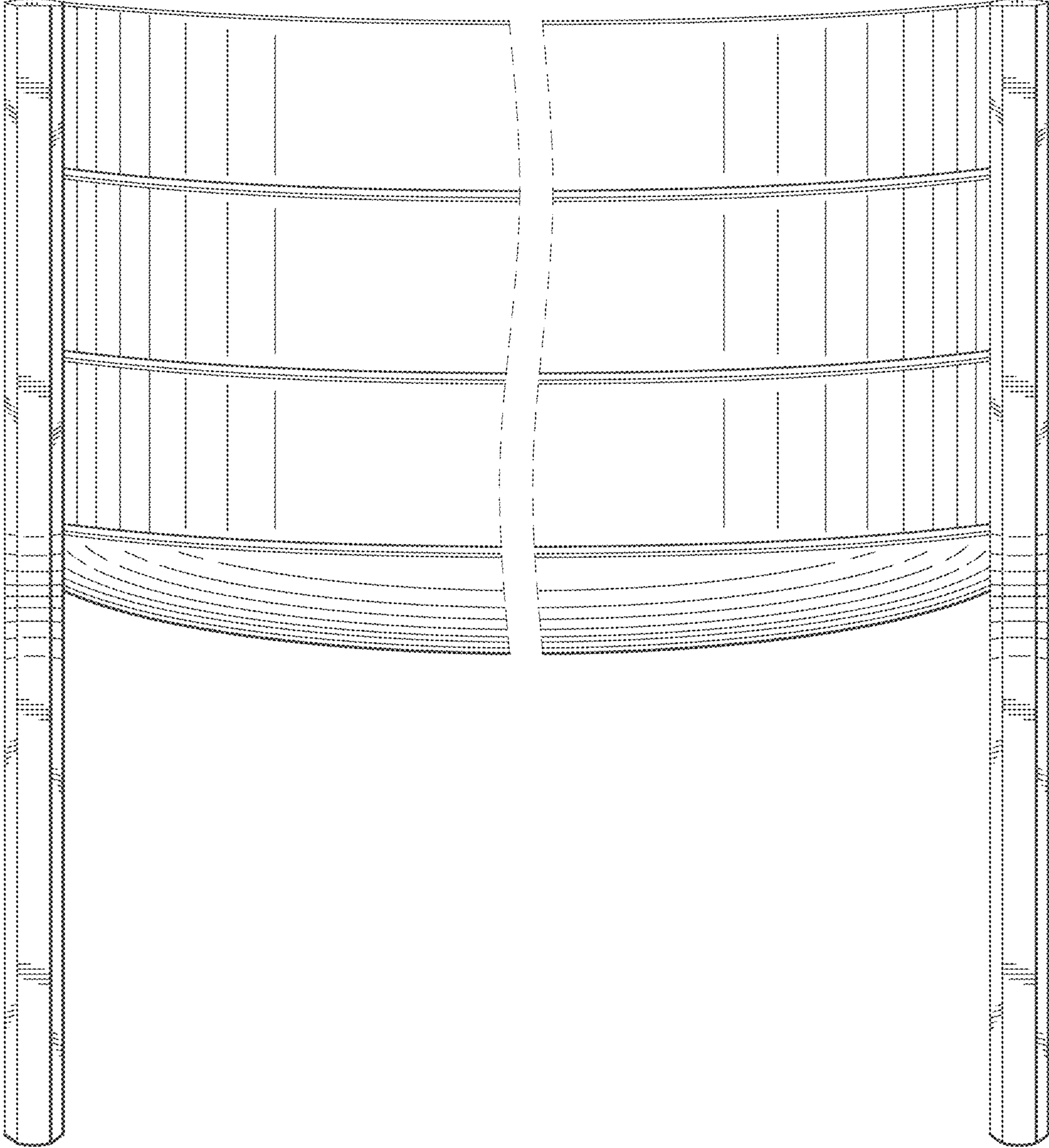


FIG. 12

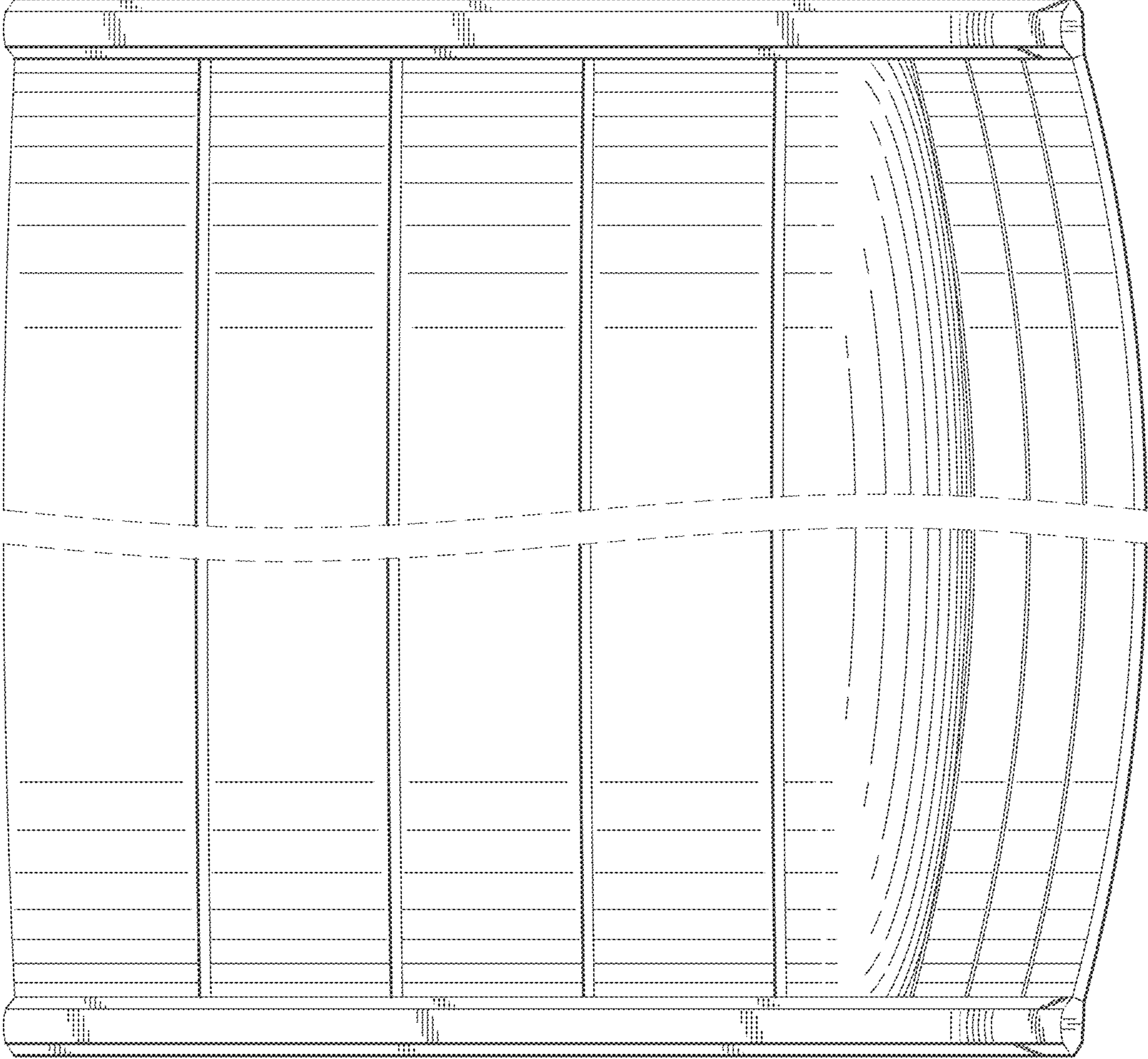
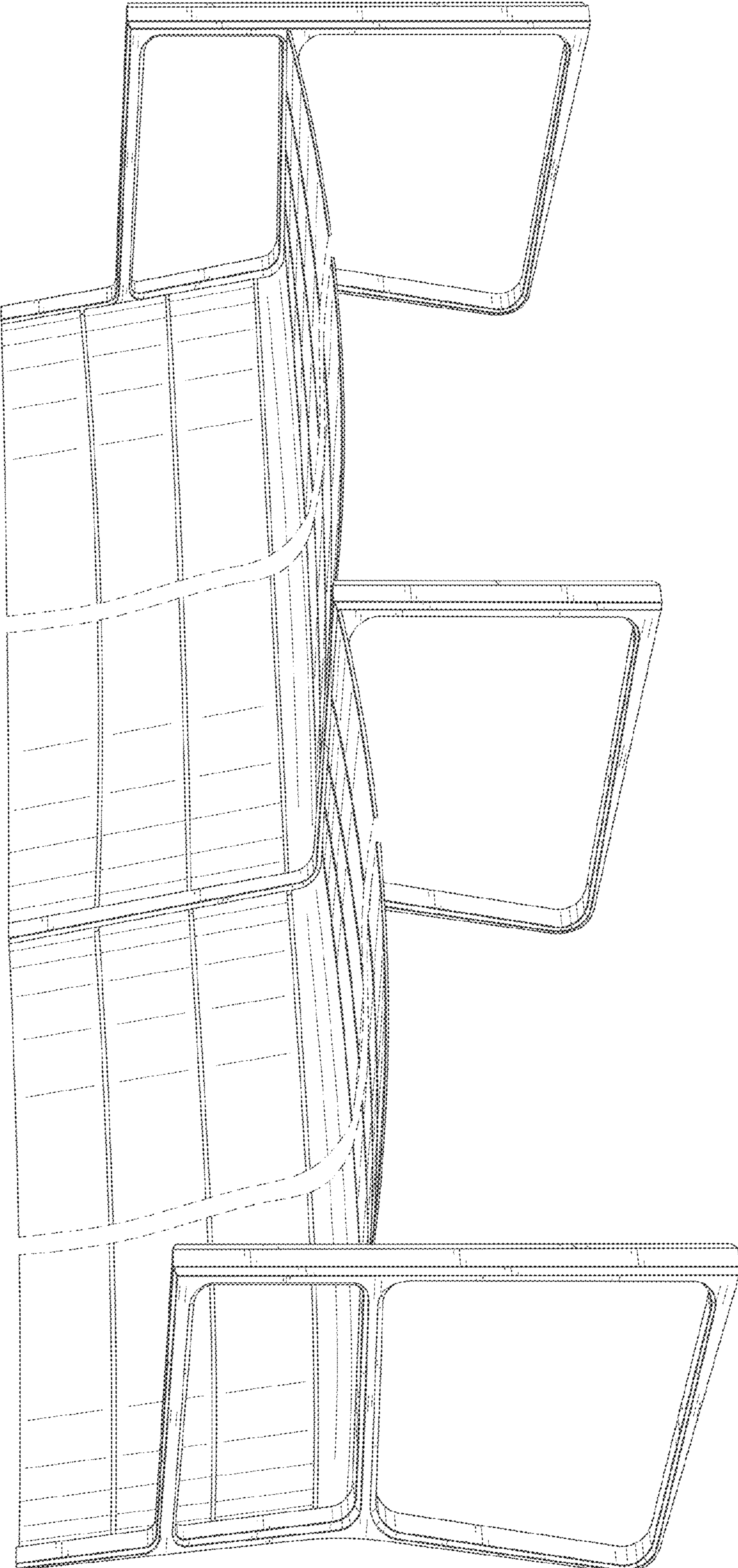


FIG. 13



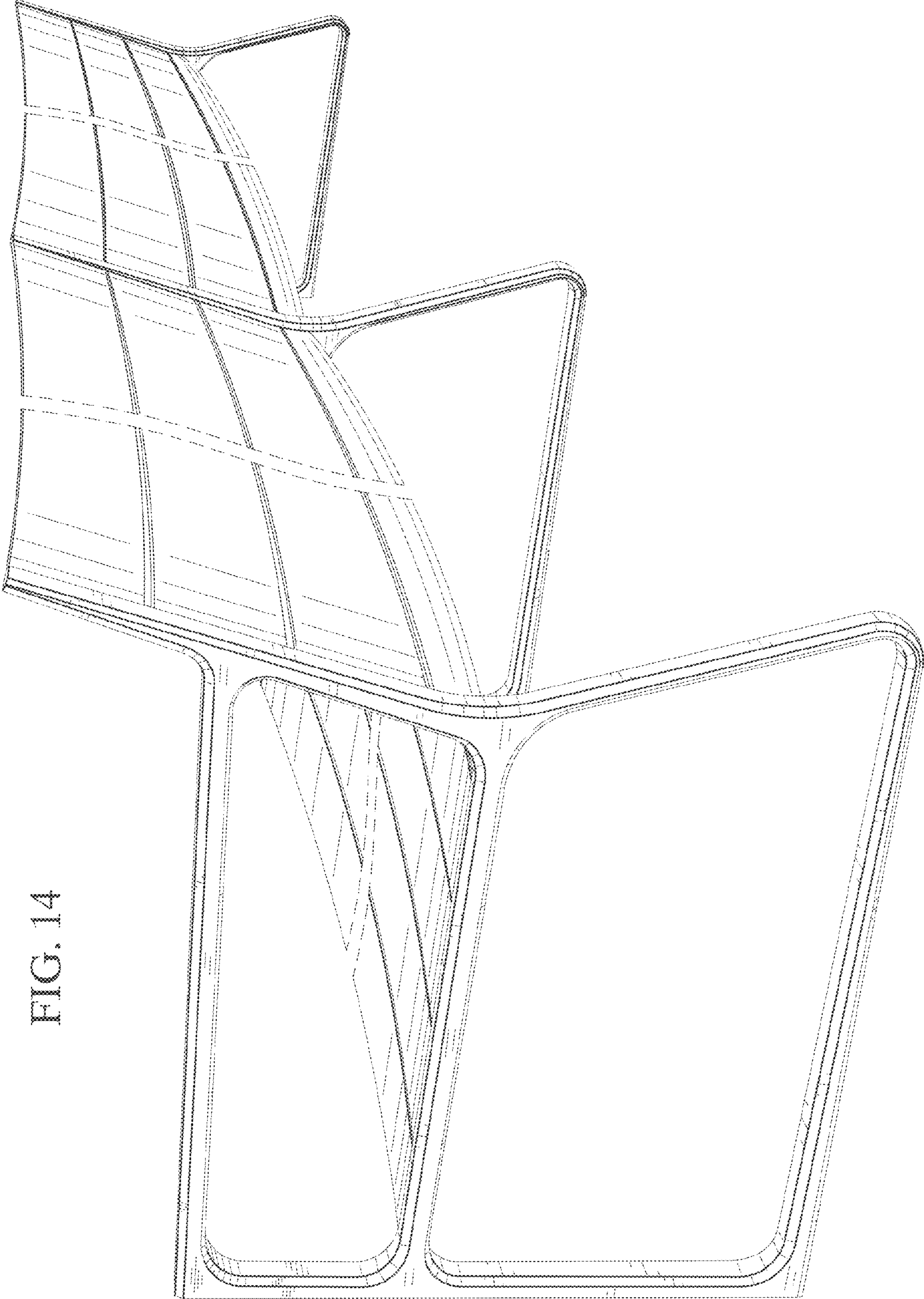


FIG. 14

FIG. 15

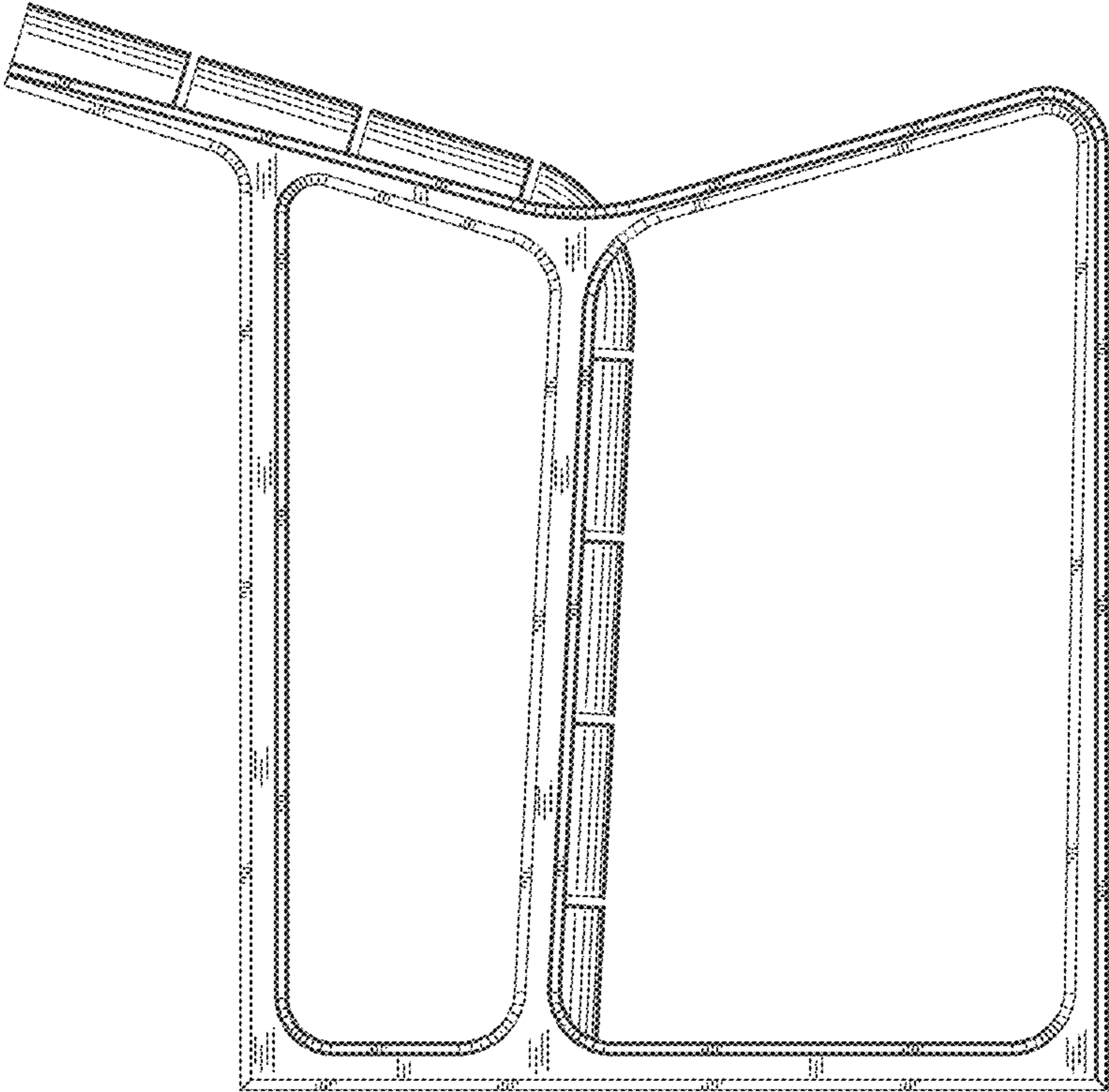


FIG. 16

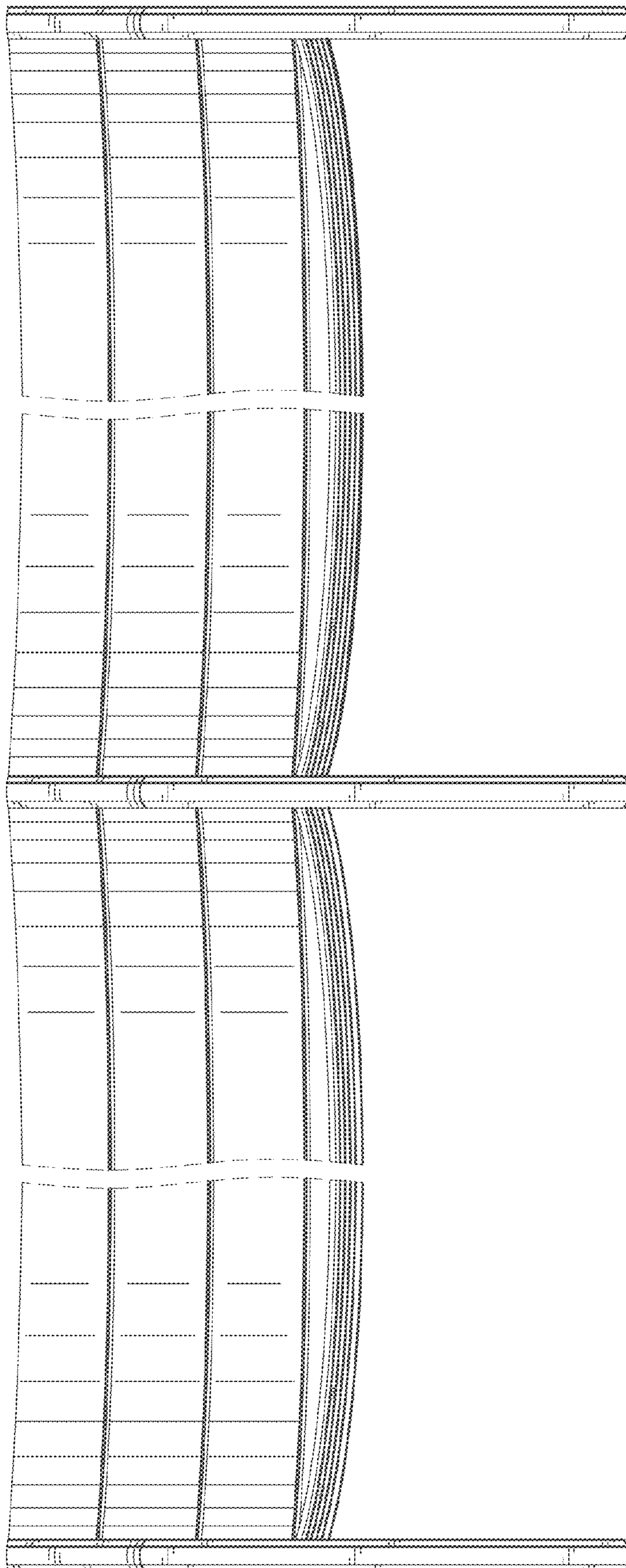


FIG. 17

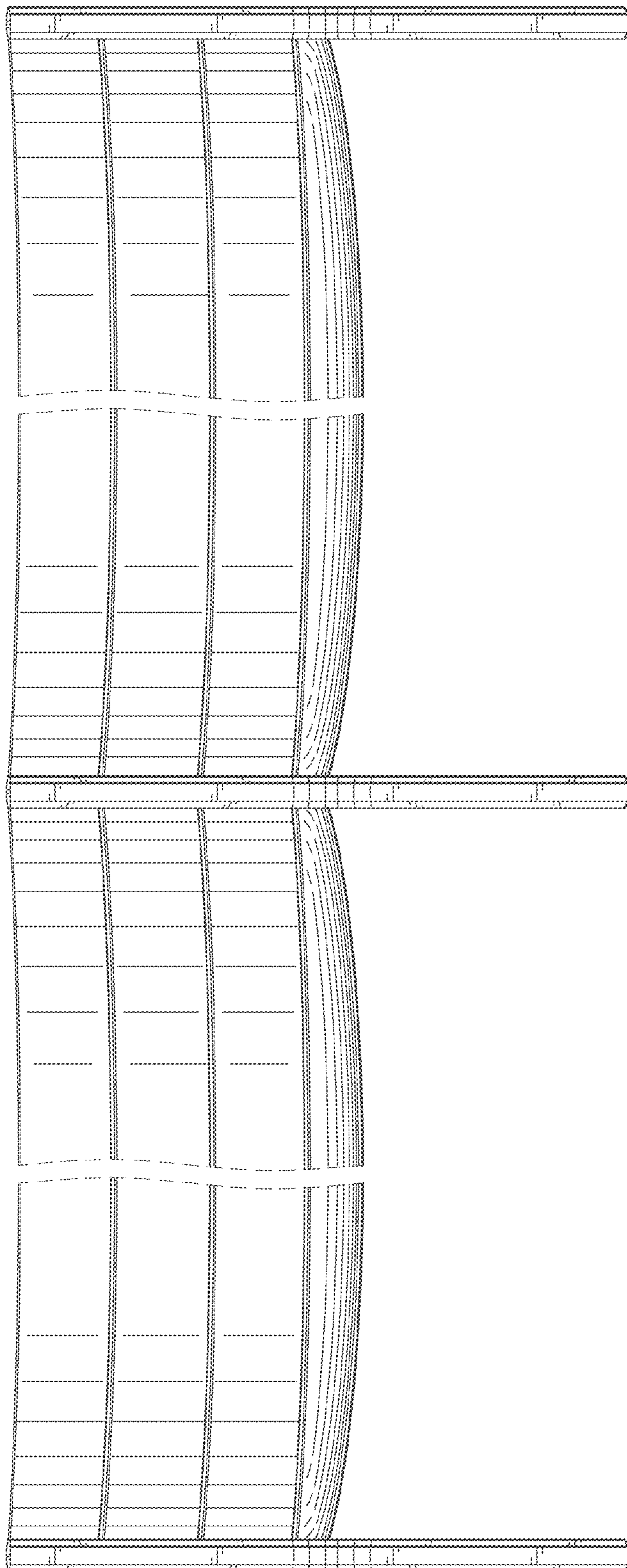


FIG. 18

