



US00D972850S

(12) **United States Design Patent**  
**Chen**

(10) **Patent No.:** **US D972,850 S**

(45) **Date of Patent:** **\*\* Dec. 20, 2022**

(54) **DIGITAL PICTURE FRAME**

(71) Applicant: **SHENZHEN GBZK ELECTRONICS CO., LIMITED**, Shenzhen (CN)

(72) Inventor: **Jiangping Chen**, Shenzhen (CN)

(73) Assignee: **SHENZHEN GBZK ELECTRONICS CO., LIMITED**, Shenzhen (CN)

(\*\*) Term: **15 Years**

(21) Appl. No.: **29/807,085**

(22) Filed: **Sep. 9, 2021**

(30) **Foreign Application Priority Data**

Jul. 21, 2021 (CN) ..... 202130463872.2

(51) **LOC (13) Cl.** ..... **06-07**

(52) **U.S. Cl.**  
USPC ..... **D6/309**; D14/371

(58) **Field of Classification Search**  
USPC .... D6/300–314; D10/1, 2, 5, 15, 22, 24, 65;  
D14/336, 371, 374, 375  
CPC . A47G 1/00; A47G 1/06; A47G 1/005; A47G  
1/0627; A47G 1/0638; A47G 1/14; A47G  
1/141; A47G 1/142; A47G 1/10; A47G  
1/0633

See application file for complete search history.

(56) **References Cited**

U.S. PATENT DOCUMENTS

D142,985 S \* 11/1945 Brown ..... D19/91  
D266,338 S \* 9/1982 Mandel ..... D20/43  
D266,471 S \* 10/1982 Symington ..... D6/309  
D268,399 S \* 3/1983 Wagman ..... D6/309

D367,560 S \* 3/1996 Kwan ..... D6/310  
D407,119 S \* 3/1999 Kwan ..... D20/40  
D437,492 S \* 2/2001 Wai ..... D6/309  
D455,565 S \* 4/2002 Pozzoli et al.  
D501,327 S \* 2/2005 Keigley ..... D6/300  
D530,523 S \* 10/2006 Pitot ..... D6/309  
D577,208 S \* 9/2008 Thompson ..... D6/309  
D592,409 S \* 5/2009 Wu ..... D6/309  
D596,410 S \* 7/2009 Liu ..... D6/309  
D636,611 S \* 4/2011 Duma ..... D6/309  
D637,414 S \* 5/2011 Butcher ..... D6/309  
D642,385 S \* 8/2011 Lee ..... D6/308  
D790,867 S \* 7/2017 Garcia ..... D6/309  
D829,449 S \* 10/2018 Orsi ..... D6/300  
D899,108 S \* 10/2020 Chen ..... D6/309  
D908,372 S \* 1/2021 Wang  
D961,943 S \* 8/2022 Chen ..... D6/308

\* cited by examiner

*Primary Examiner* — Deanna L Pratt

(57) **CLAIM**

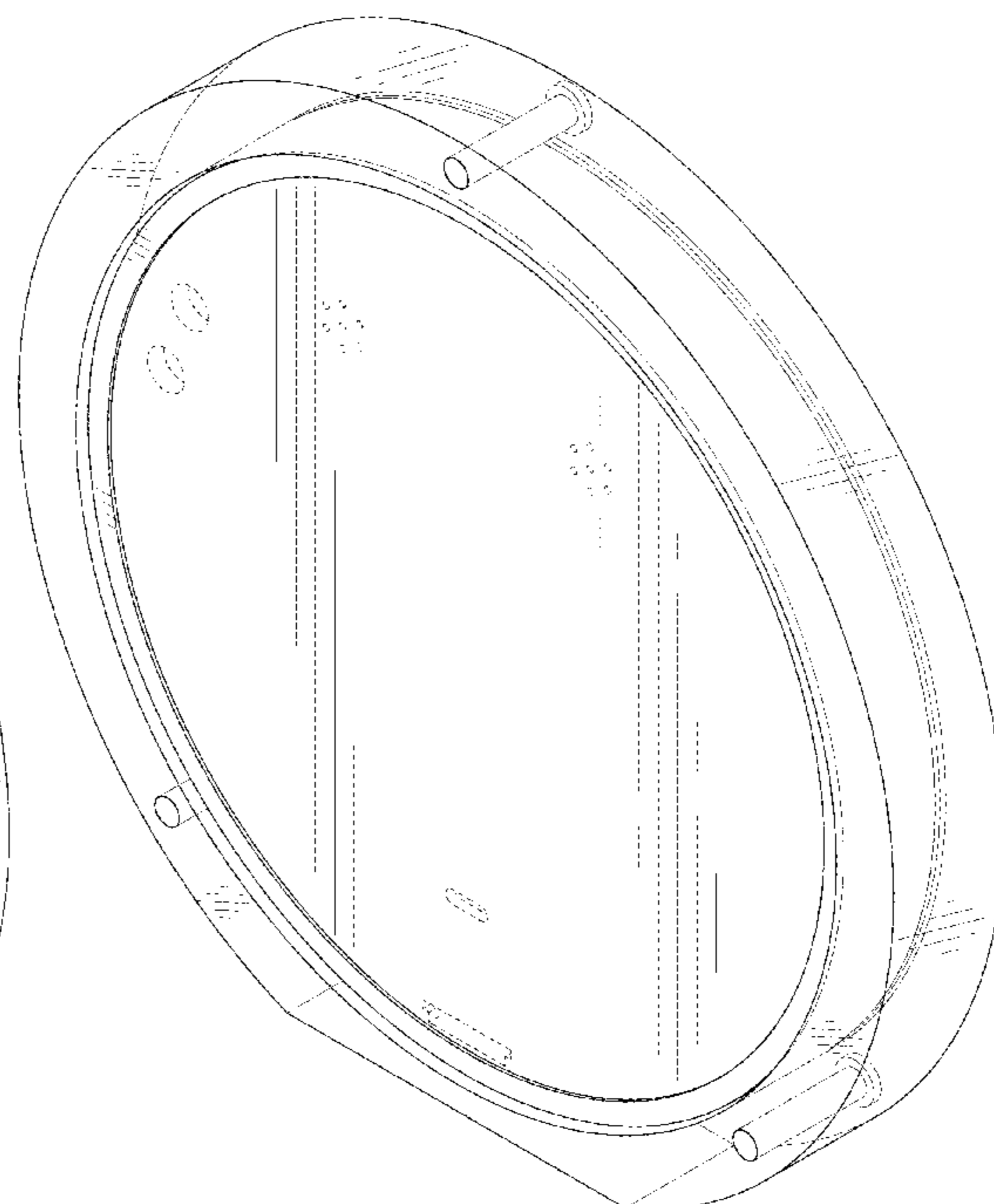
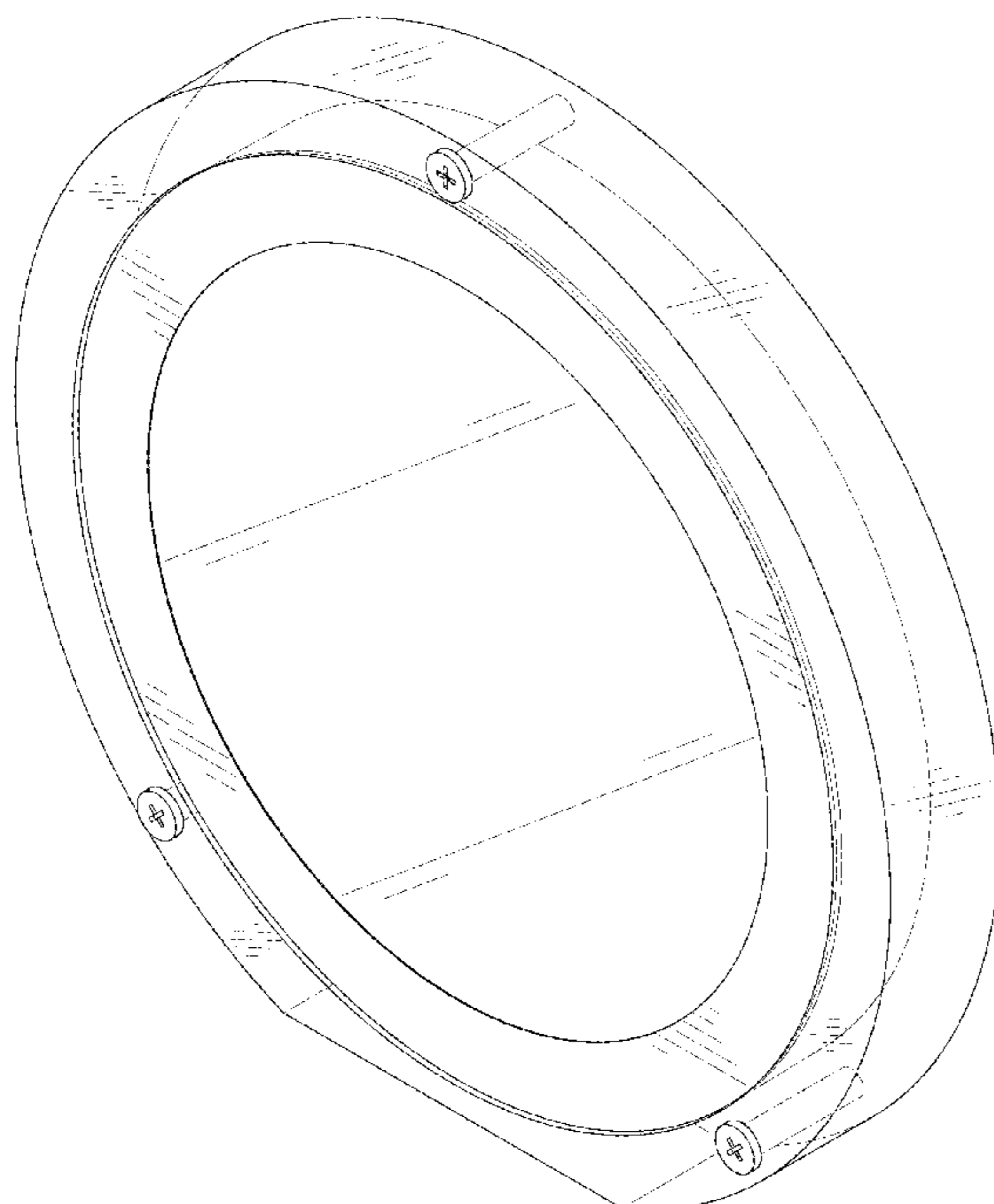
The ornamental design for a digital picture frame, as shown and described.

**DESCRIPTION**

FIG. 1 is a perspective view of a digital picture frame showing my new design;  
FIG. 2 is another perspective view thereof;  
FIG. 3 is a front elevational view thereof;  
FIG. 4 is a rear elevational view thereof;  
FIG. 5 is a left side elevational view thereof;  
FIG. 6 is a right side elevational view thereof;  
FIG. 7 is a top plan view thereof; and,  
FIG. 8 is a bottom plan view thereof.

The broken lines in the drawings depict portions of the digital picture frame that form no part of the claimed design.

**1 Claim, 8 Drawing Sheets**



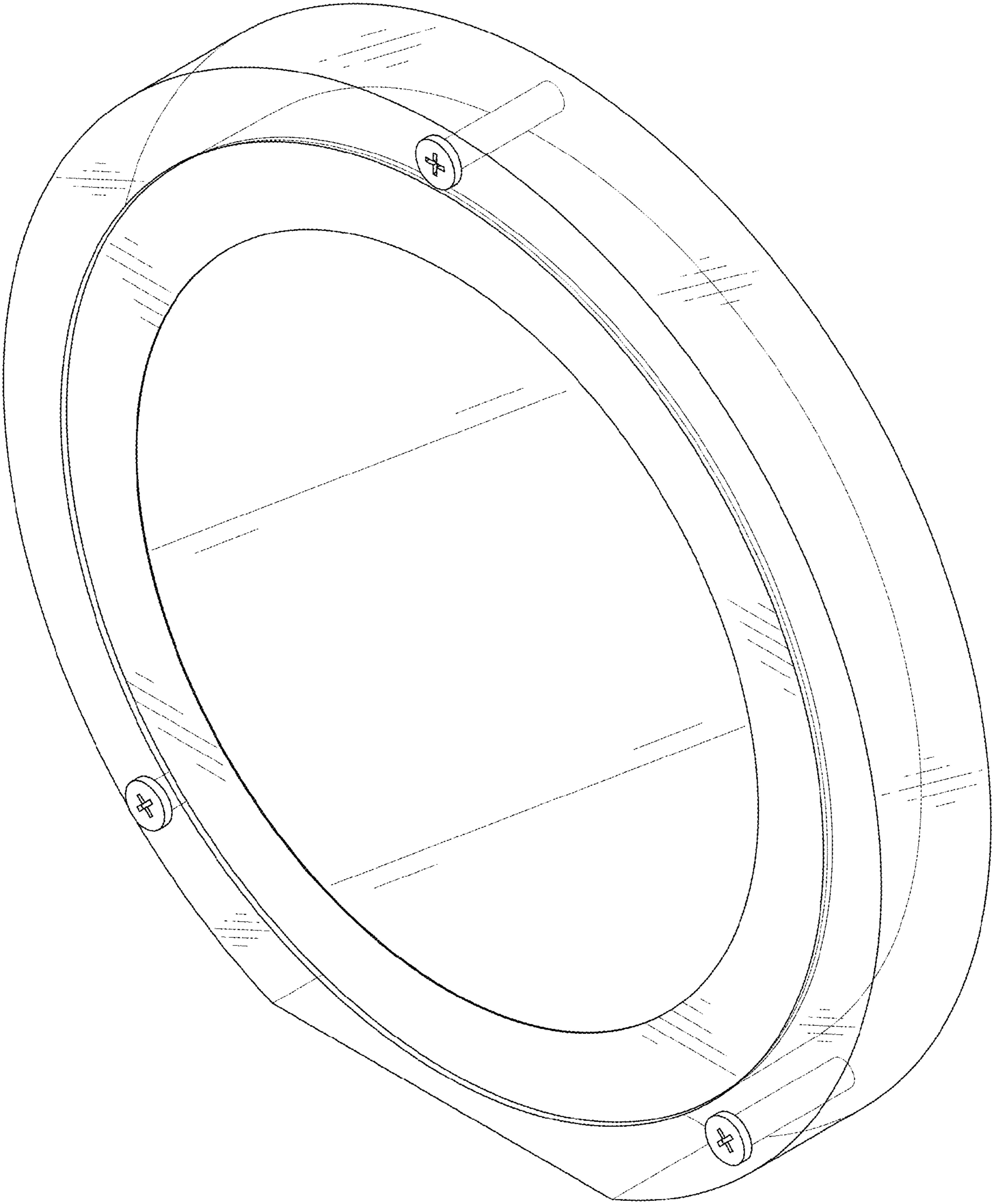


FIG. 1

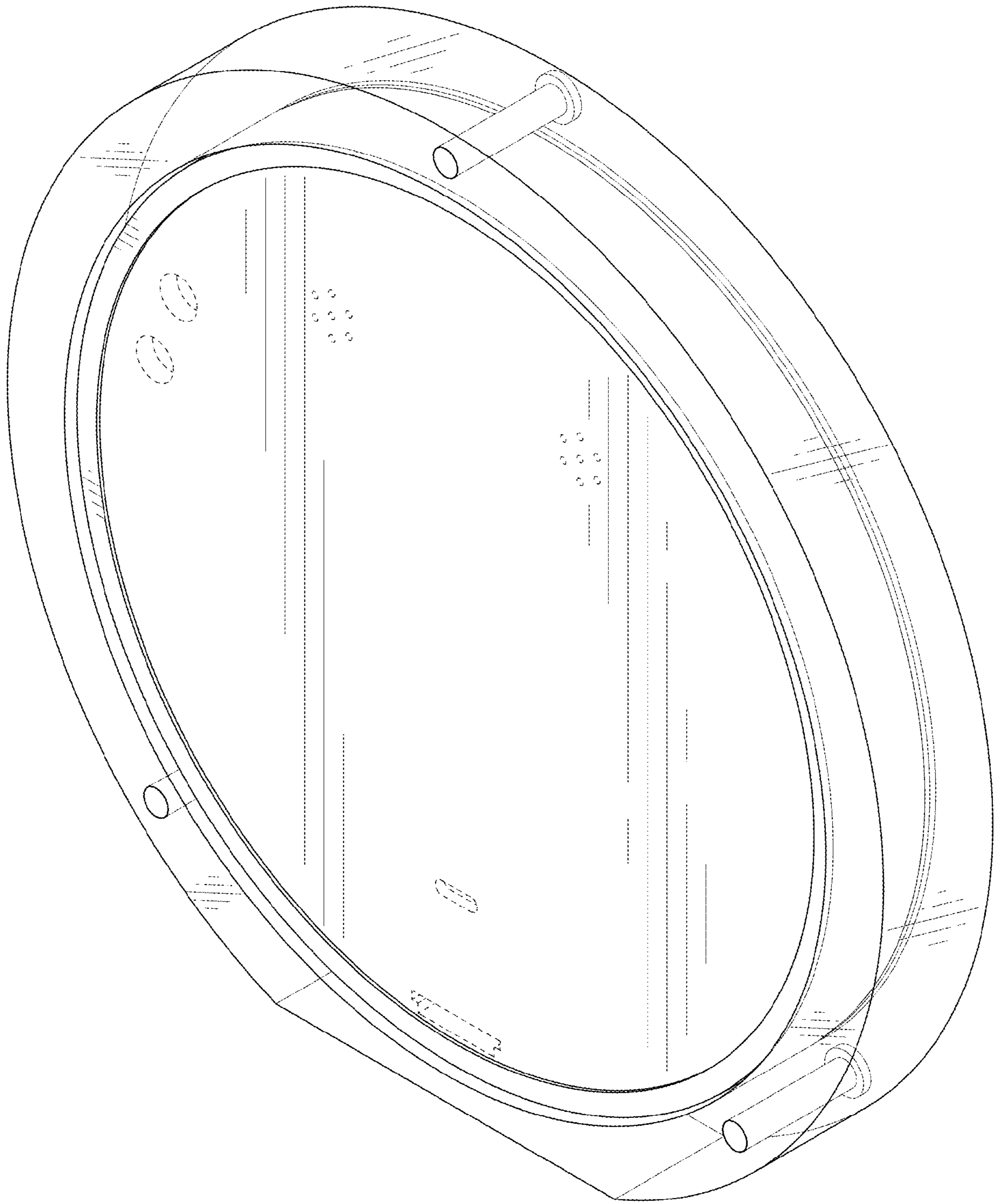


FIG. 2

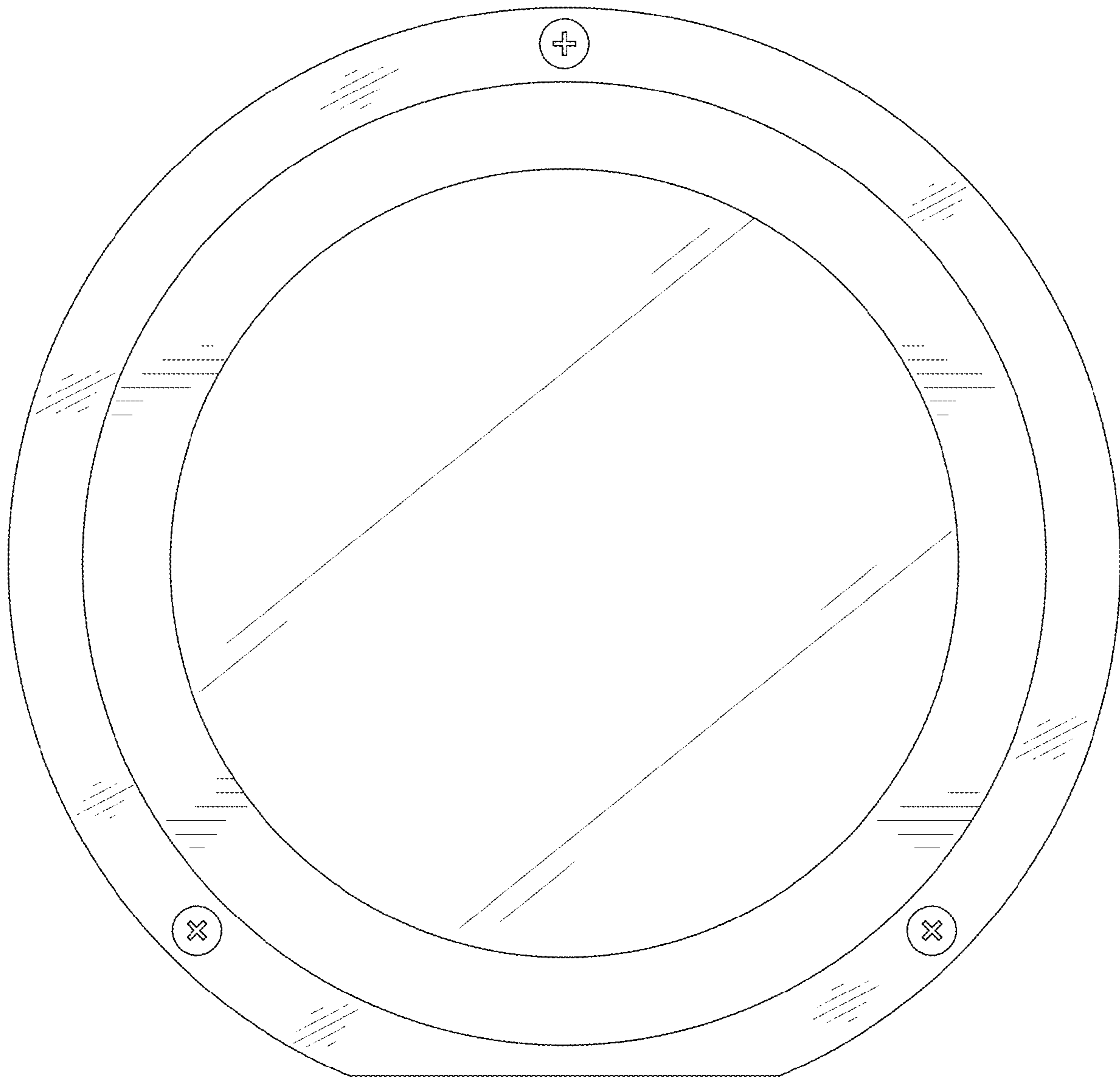


FIG. 3

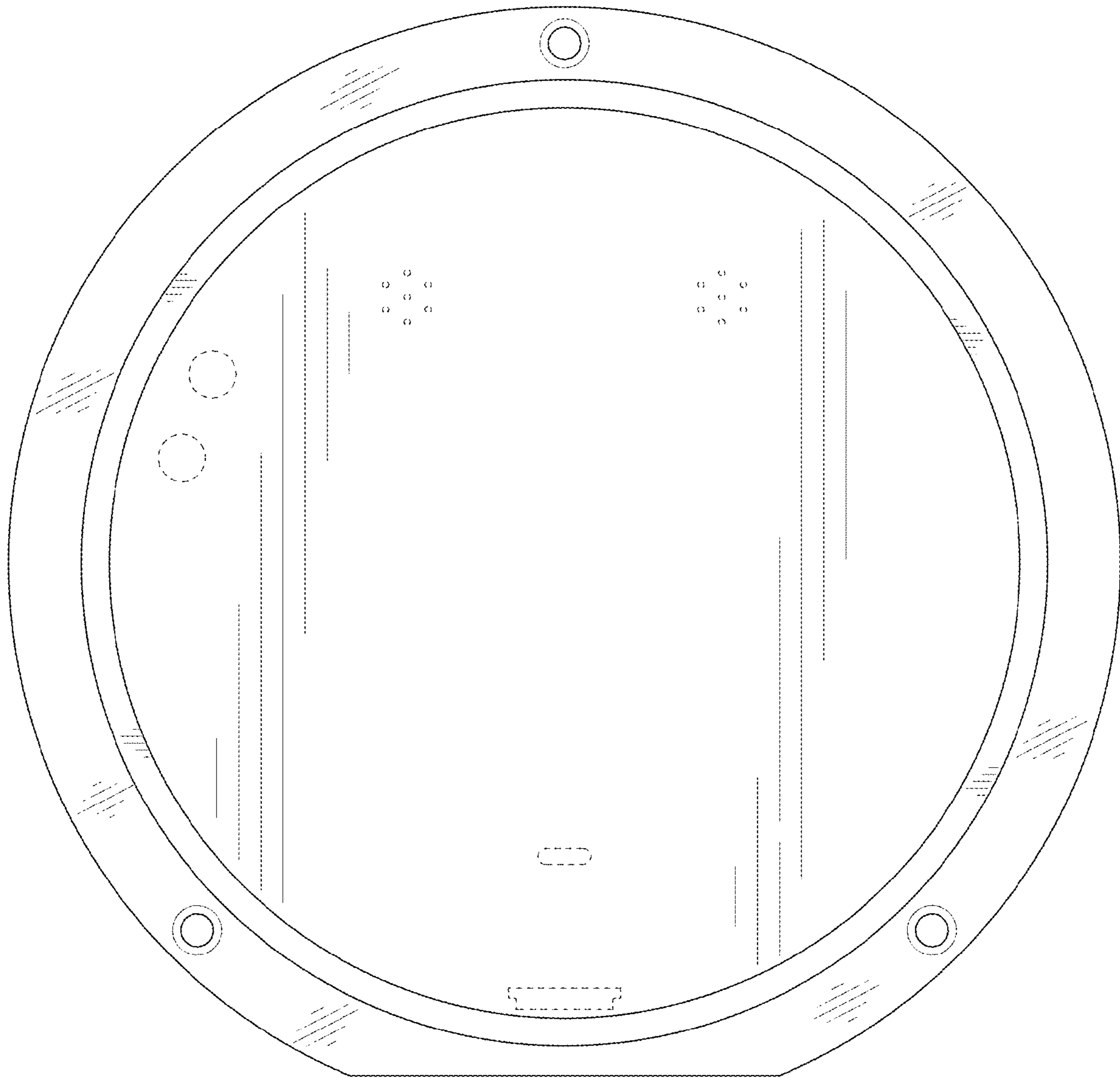


FIG. 4

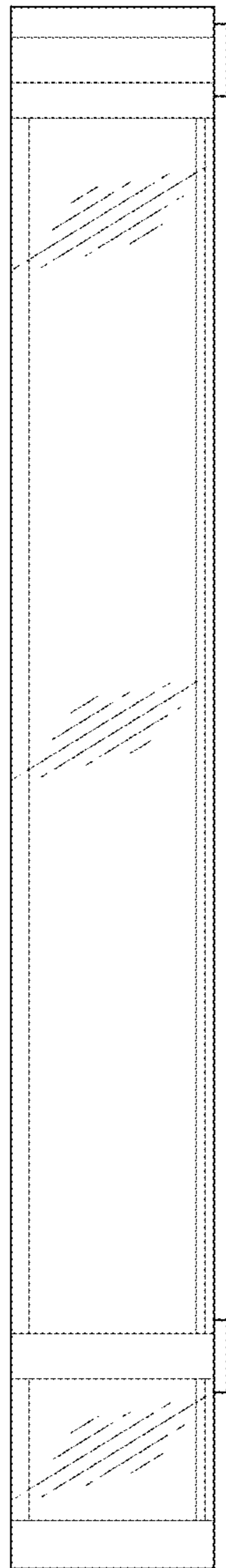


FIG. 5

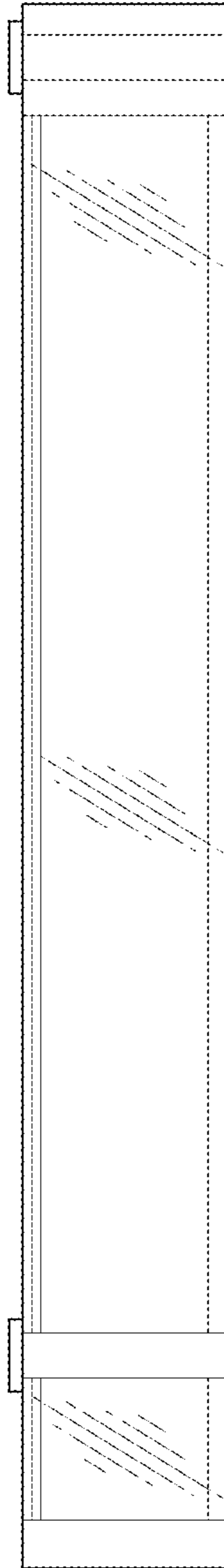


FIG. 6

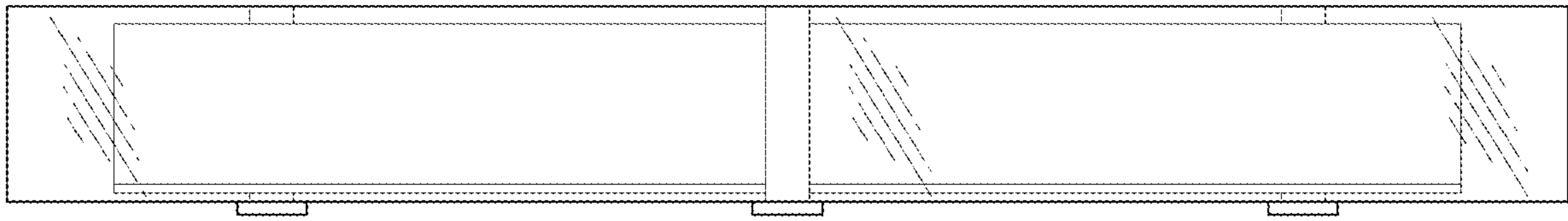


FIG. 7



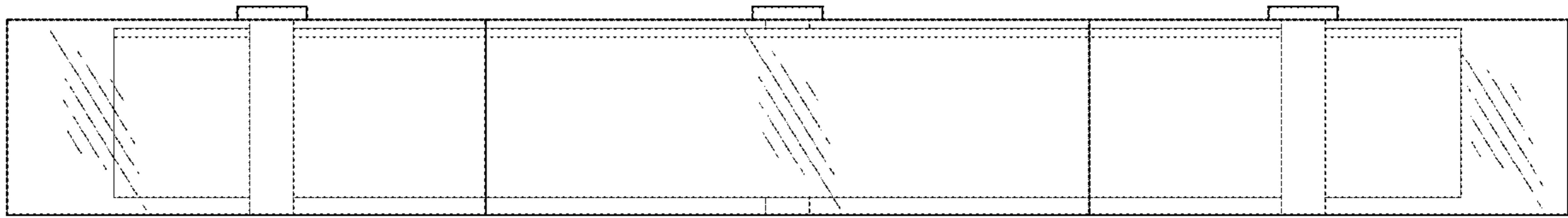


FIG. 8