



US00D972849S

(12) **United States Design Patent** (10) **Patent No.:** **US D972,849 S**
McNeil et al. (45) **Date of Patent:** **** Dec. 20, 2022**

(54) **TILE FRAME**

- (71) Applicants: **Casey McNeil**, Russellville, AL (US);
Amanda McNeil, Jackson, TN (US)
- (72) Inventors: **Casey McNeil**, Russellville, AL (US);
Amanda McNeil, Jackson, TN (US)
- (**) Term: **15 Years**
- (21) Appl. No.: **29/769,476**
- (22) Filed: **Feb. 5, 2021**
- (51) **LOC (13) Cl.** **06-07**
- (52) **U.S. Cl.**
USPC **D6/300**
- (58) **Field of Classification Search**
USPC D6/300-303, 308, 310, 311, 312-314;
D20/10, 27, 42
CPC A47B 97/04; A47B 97/08; A47G 1/06;
A47G 1/0638; A47G 1/14; A47G 1/141;
G09F 1/12; G09F 7/18
See application file for complete search history.

(56) **References Cited**

U.S. PATENT DOCUMENTS

3,532,209	A *	10/1970	Del Bonis	A45C 11/16
					206/769
4,021,950	A *	5/1977	Asija	G09F 1/04
					472/58
4,094,085	A *	6/1978	Nolan, Jr.	A47G 1/065
					40/490
D272,791	S *	2/1984	Brobakken	D6/301
D337,208	S *	7/1993	Reed	D6/301
D339,238	S *	9/1993	Hamilton	D6/310
D421,529	S *	3/2000	Rowan	D6/301
D436,255	S *	1/2001	Colby	D6/301
D456,620	S *	5/2002	Vincent	D6/301
D527,914	S *	9/2006	Sakaguchi	D6/301
D641,175	S *	7/2011	Tang	D6/301
D899,383	S *	10/2020	Dimberg	D13/168
2005/0160651	A1 *	7/2005	Davis	A47G 1/065
					40/700

OTHER PUBLICATIONS

Decorative Tiles [online], [site visited Aug. 19, 2022]. Available from internet, URL:<https://www.etsy.com/listing/1052858253/decorative-framed-ceramic-tiles-wall-art?click_key=8cb5ad4352328e89b80e06df7ab6569a5a834199%3A1052858253&click_sum=7ebb41db&rec_type=ss&ref=pla_similar_listing_top-2&frs=1&sts=1> (Year: 2021).*

Americanflat Talavera Mexican Tile [online], [site visited Aug. 19, 2022]. Available from internet, URL:<<https://www.walmart.com/ip/Americanflat-Talavera-Mexican-Tile-Hot-Pink-by-Cat-Coquillette-Black-Frame-Wall-Art/690867901>> (Year: 2022).*

* cited by examiner

Primary Examiner — Cynthia Ramirez

Assistant Examiner — Xavier Marti-Santos

(74) *Attorney, Agent, or Firm* — The Sladkus Law Group

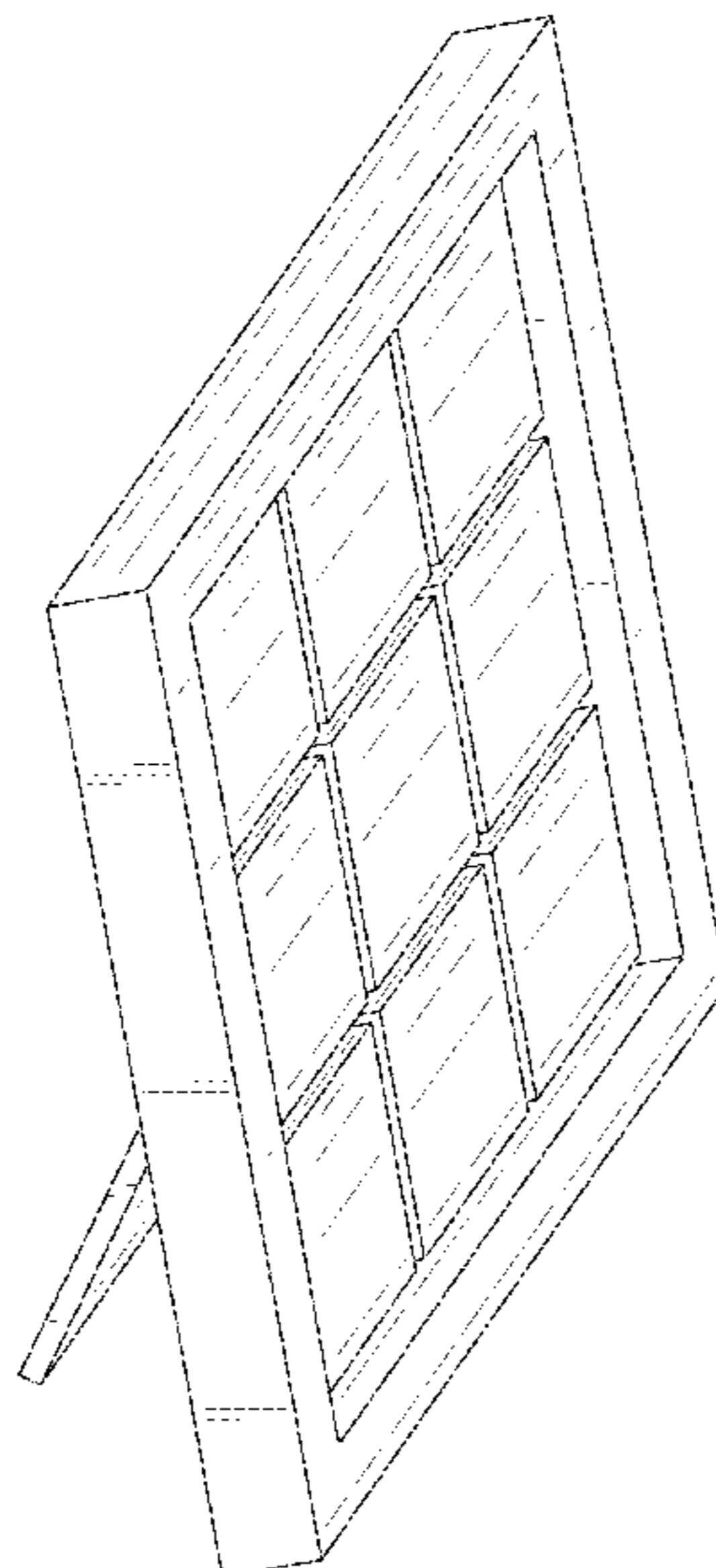
(57) **CLAIM**

The ornamental design for a tile frame, as shown and described.

DESCRIPTION

FIG. 1 is a perspective view of the tile frame showing our new design;
 FIG. 2 is a front elevational view thereof;
 FIG. 3 is a rear elevational view thereof;
 FIG. 4 is a left side elevational thereof;
 FIG. 5 is a right side elevational view thereof;
 FIG. 6 is a bottom view thereof;
 FIG. 7 is a top view thereof;
 FIG. 8 is a front elevational view of the tile frame shown without the tiles; and,
 FIG. 9 is a cross-sectional view of the tile frame of FIG. 1. The dash-dot broken lines in FIG. 3 are for the purpose of illustrating the cross-sectional cut and form no part of the claimed design.

1 Claim, 8 Drawing Sheets



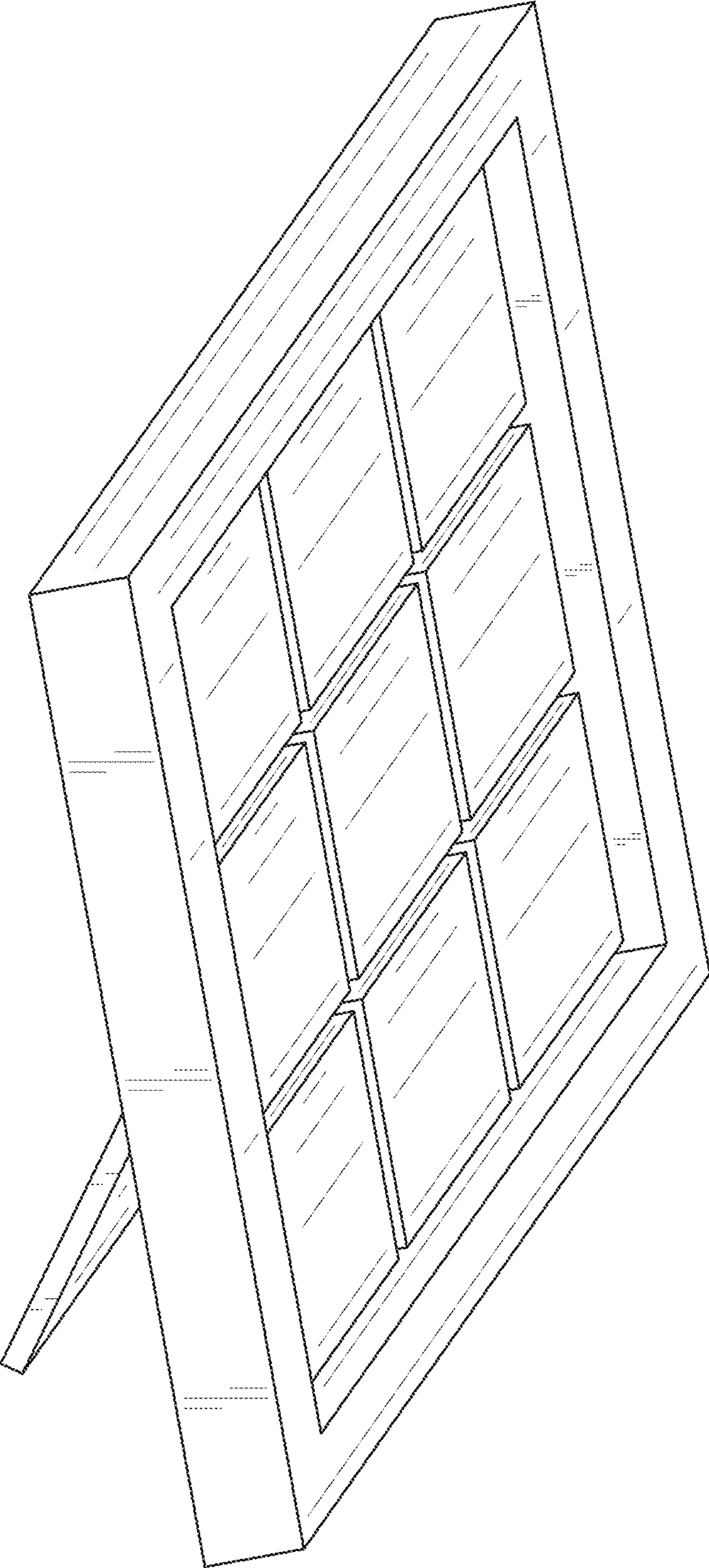


FIG. 1

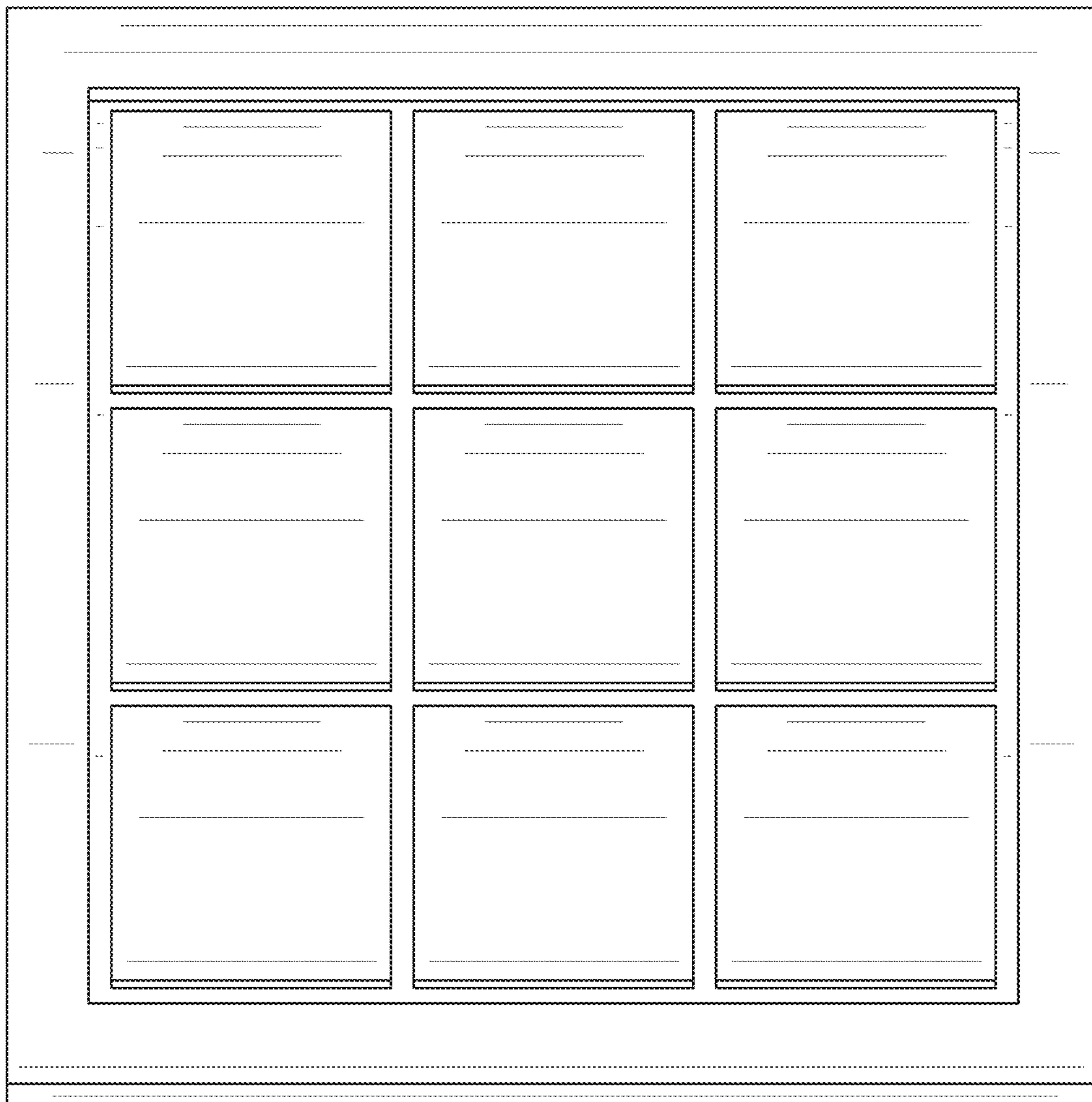


FIG. 2

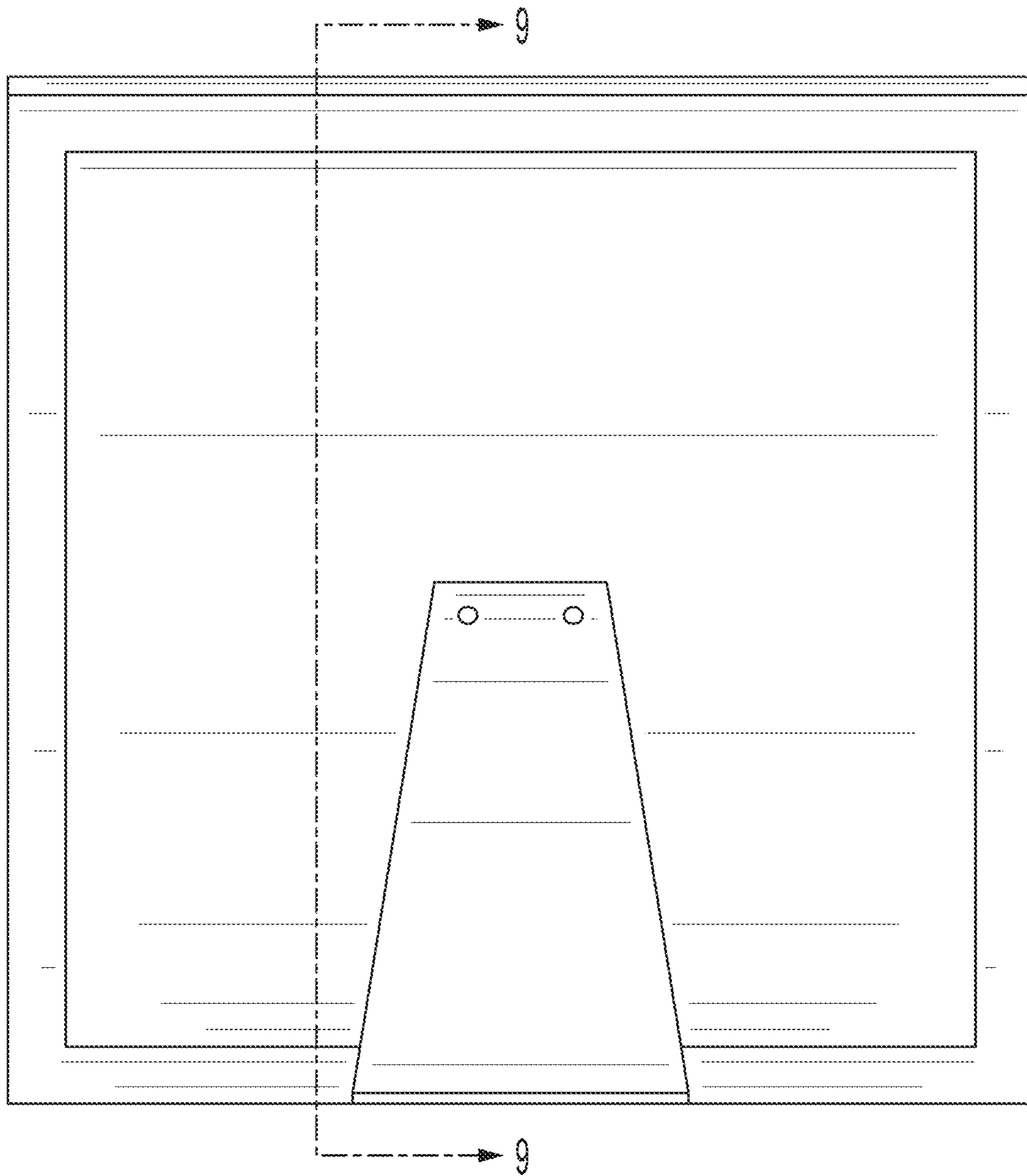


FIG. 3

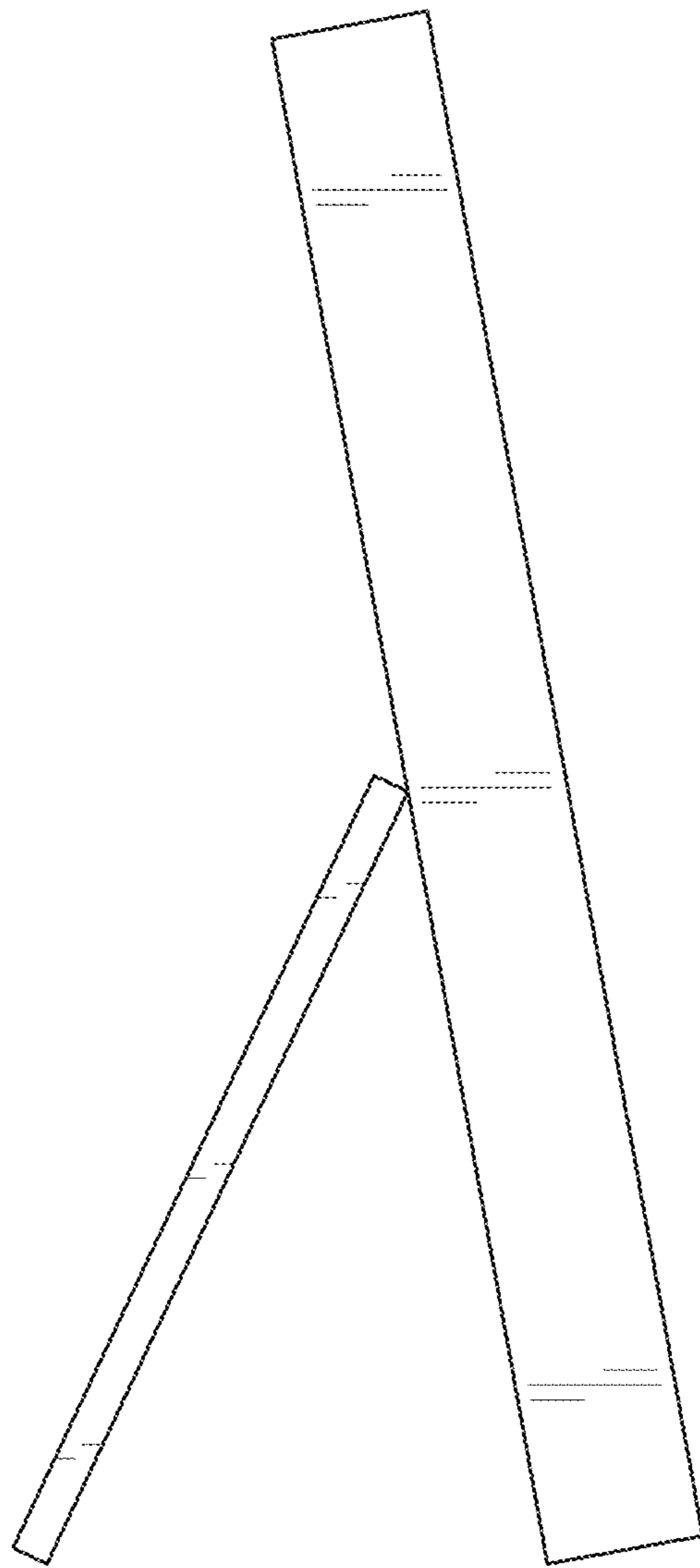


FIG. 4

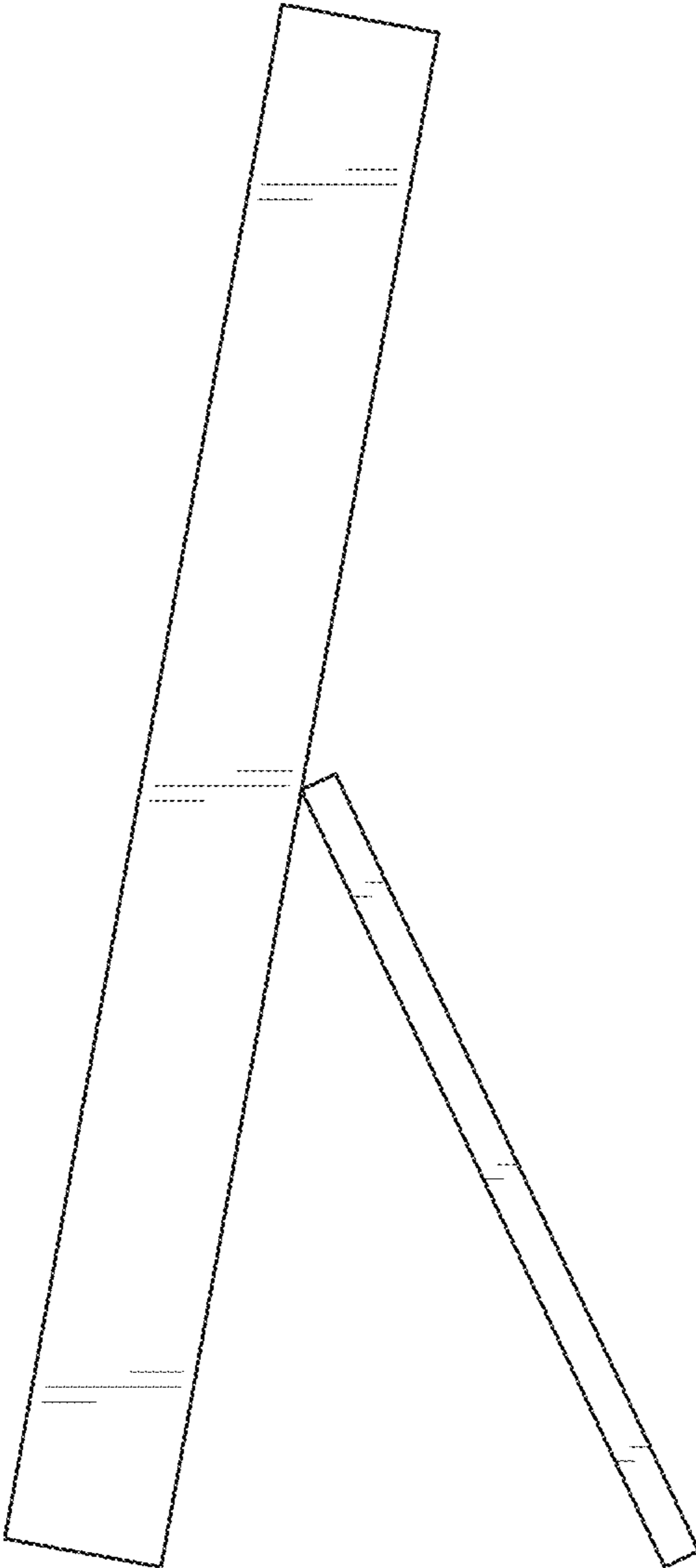


FIG. 5

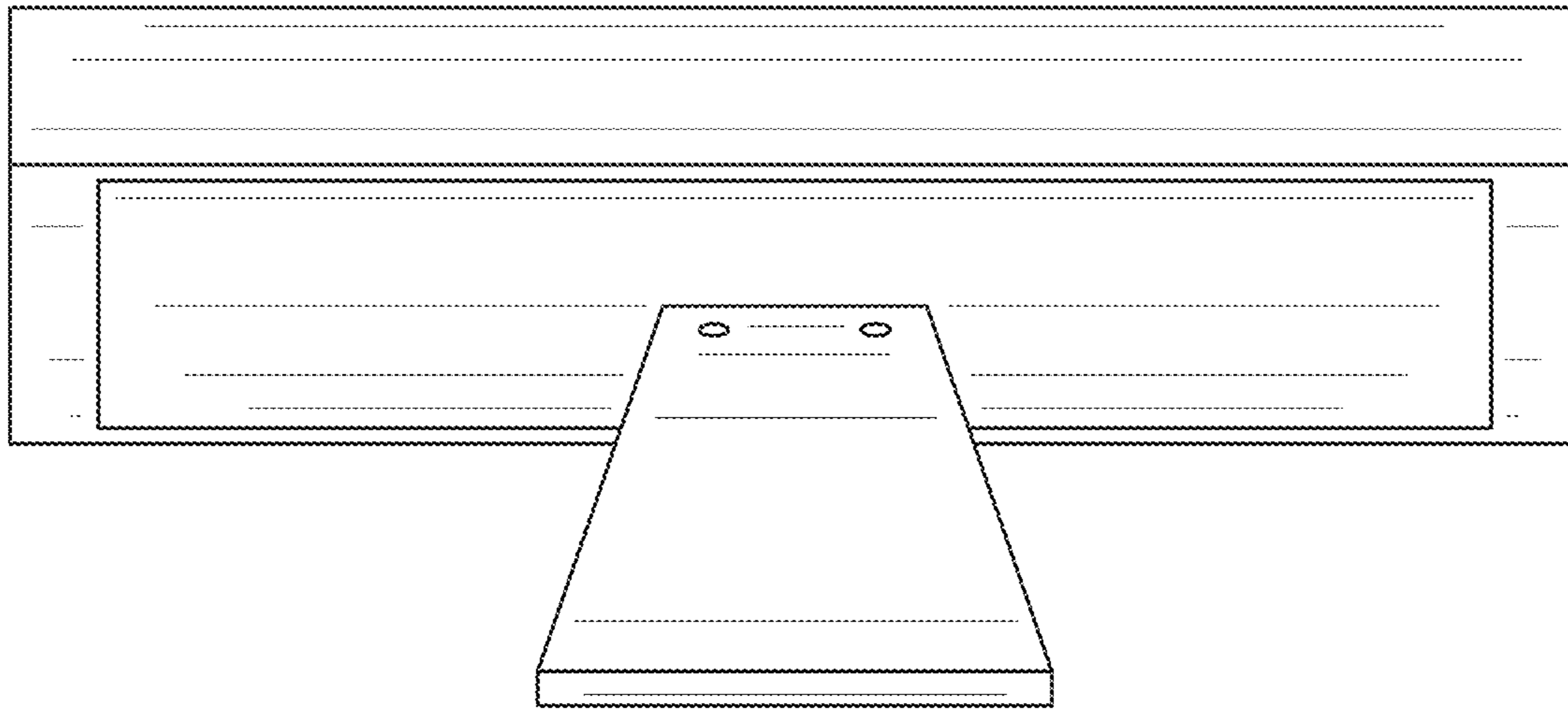


FIG. 6

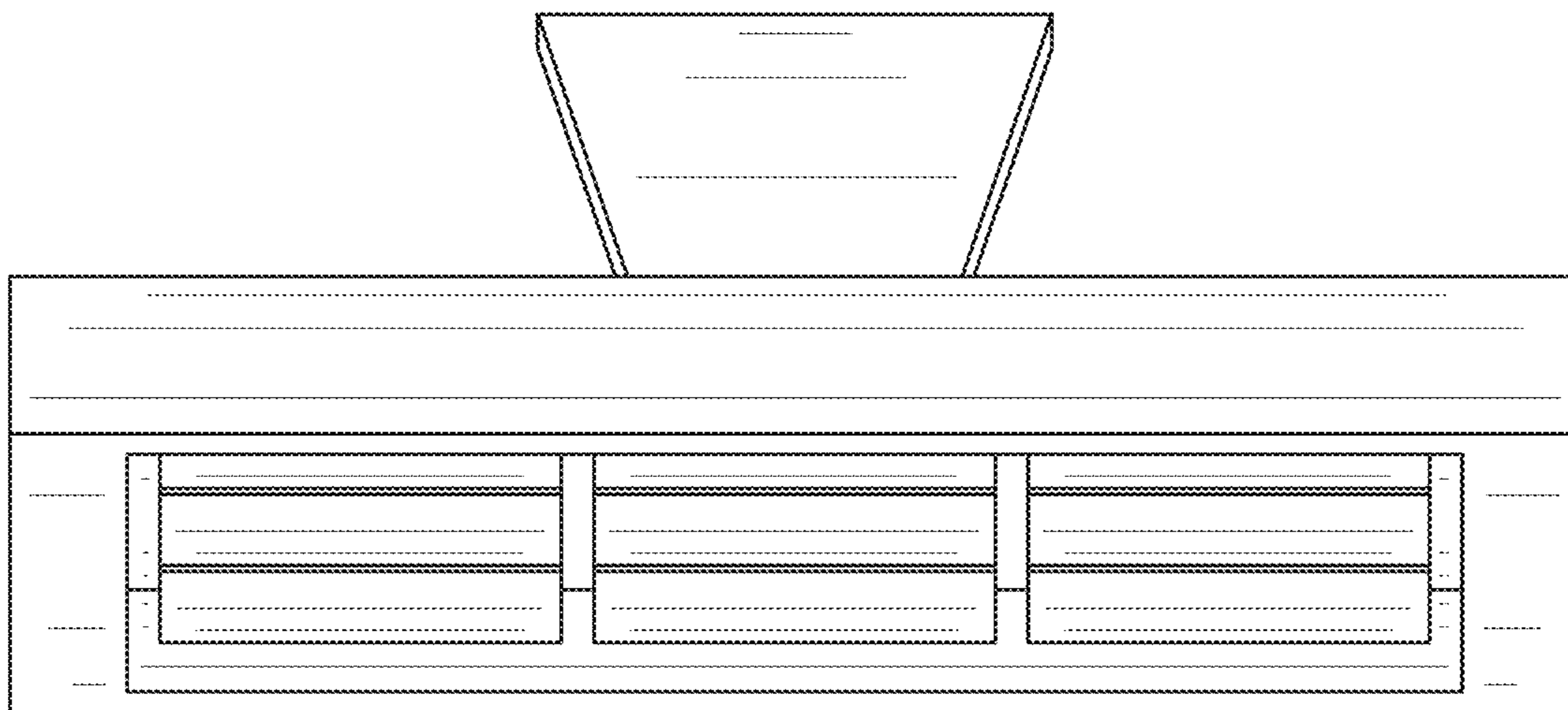


FIG. 7

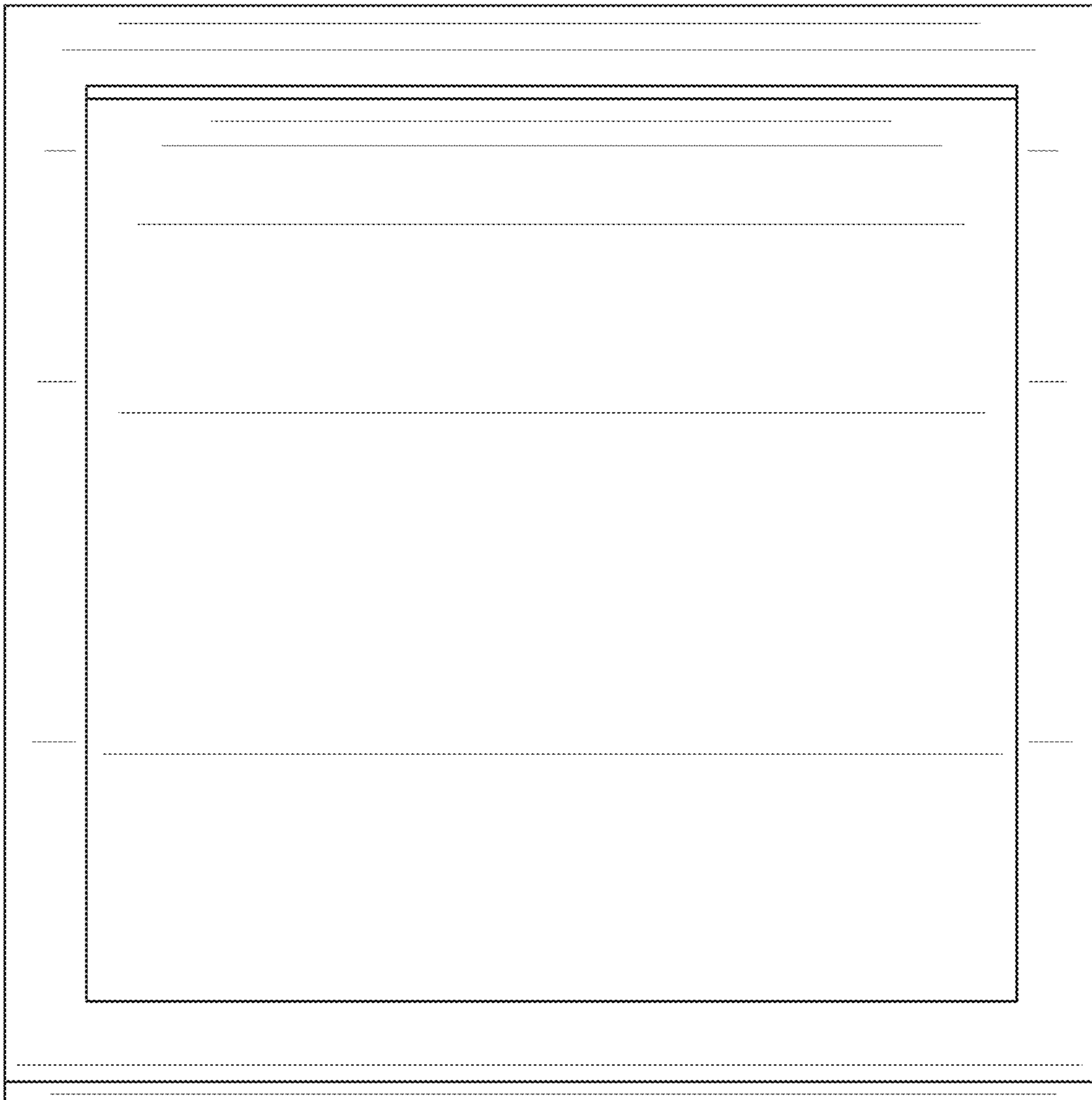


FIG. 8

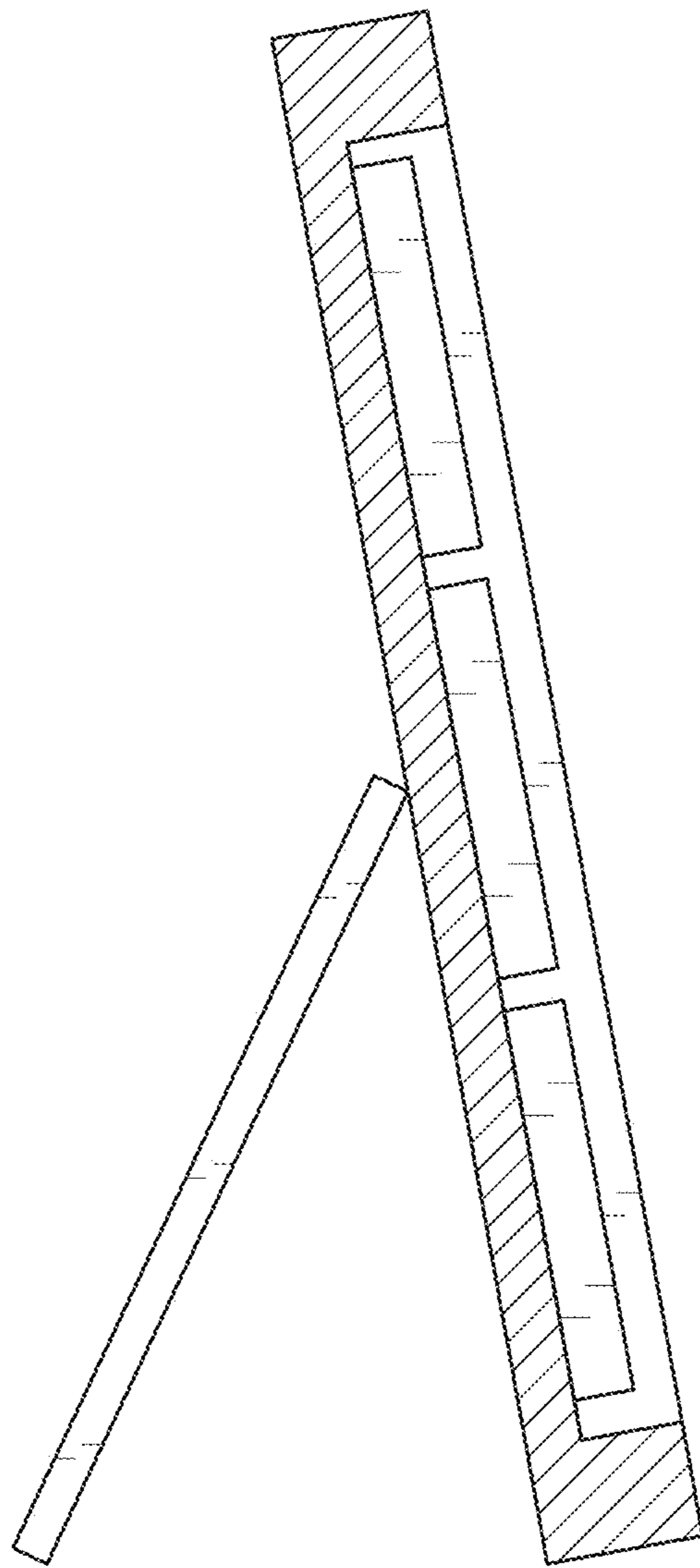


FIG. 9