



US00D972845S

(12) **United States Design Patent** (10) **Patent No.:** **US D972,845 S**  
**Marshall et al.** (45) **Date of Patent:** **\*\* Dec. 20, 2022**

- (54) **GOLF BAG TOP CUFF**
- (71) Applicant: **Acushnet Company**, Fairhaven, MA (US)
- (72) Inventors: **Duane Marshall**, East Greenwich, RI (US); **Ian Burgess**, Tiverton, RI (US)
- (73) Assignee: **Acushnet Company**, Fairhaven, MA (US)
- (\*\*) Term: **15 Years**
- (21) Appl. No.: **29/762,172**
- (22) Filed: **Dec. 15, 2020**
- (51) **LOC (13) Cl.** ..... **03-01**
- (52) **U.S. Cl.**  
USPC ..... **D3/320; D3/255**
- (58) **Field of Classification Search**  
USPC ..... D3/254-255, 259, 319-321, 328-328.1, D3/904; D21/789, 796  
CPC ..... A63B 2055/402; A63B 2055/403; A63B 2055/002; A63B 55/00; A63B 55/008; A63B 55/30; A63B 55/40; A63B 55/57; A63B 55/60; A63B 55/10; A63B 55/404; A63B 55/406; A63B 55/408  
See application file for complete search history.

D715,055 S 10/2014 Bruce  
D814,795 S \* 4/2018 Burgess ..... D3/321  
D824,668 S \* 8/2018 Goeke ..... D3/255  
D871,067 S \* 12/2019 Marshall ..... D3/255  
(Continued)

**OTHER PUBLICATIONS**

Titleist Hybrid 5 Golf Bag, first available Feb. 1, 2021, amazon.com [online], [site visited May 25, 2022], Available at URL: <https://www.amazon.com/Titleist-Hybrid-5-Golf-Bag/dp/B08PHYGHSW?th=1> (Year: 2021).\*

*Primary Examiner* — Jeffrey D Asch  
*Assistant Examiner* — Caitlin A Laverty  
(74) *Attorney, Agent, or Firm* — Kristin D. Wheeler

(57) **CLAIM**

The ornamental design for a golf bag top cuff, as shown and described.

**DESCRIPTION**

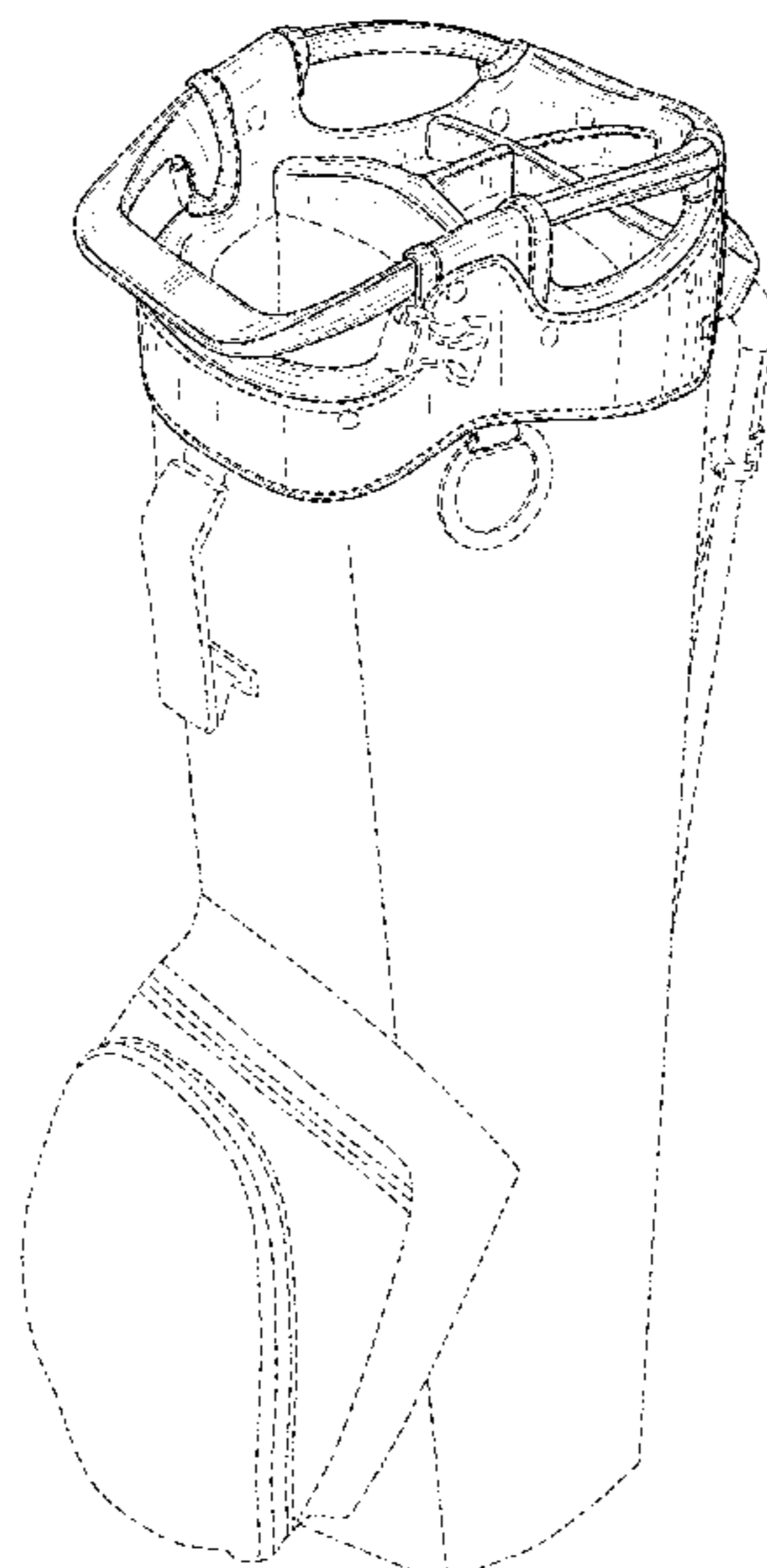
FIG. 1 is a first perspective view of the golf bag top cuff of this invention;  
FIG. 2 is a first side view of the golf bag top cuff of this invention;  
FIG. 3 is a second side view of the golf bag top cuff of this invention;  
FIG. 4 is a front view of the golf bag top cuff of this invention;  
FIG. 5 is a rear view of the golf bag top cuff of this invention; and,  
FIG. 6 is a top plan view of the golf bag top cuff of this invention.  
In FIGS. 1-6, the lighter broken lines depict environment of a golf bag that forms no part of the claimed design. The heavier broken lines visible on the surface of the top cuff of the golf bag in FIGS. 1-6 represent stitching that is included in the claimed design. The dot-dashed boundary line visible in FIGS. 1 and 6 represents the bounds of the claim.

(56) **References Cited**

**U.S. PATENT DOCUMENTS**

- D402,469 S \* 12/1998 Suk ..... D3/320
- 6,513,653 B1 2/2003 Chen
- D489,532 S 5/2004 Reimers
- D517,808 S 3/2006 Reimers
- D525,034 S 7/2006 Vosloo
- D528,799 S 9/2006 Vosloo
- D537,252 S 2/2007 Vosloo
- D632,890 S 2/2011 Reimers
- D649,353 S \* 11/2011 Loudenslager ..... D3/320
- D669,266 S 10/2012 Loudenslager et al.

**1 Claim, 6 Drawing Sheets**



(56)

**References Cited**

U.S. PATENT DOCUMENTS

D874,829 S *	2/2020	Marshall	.....	D3/255
D875,400 S *	2/2020	Burgess	.....	D3/255
D887,713 S *	6/2020	Marshall	.....	D3/255
D887,715 S *	6/2020	Marshall	.....	D3/255

\* cited by examiner

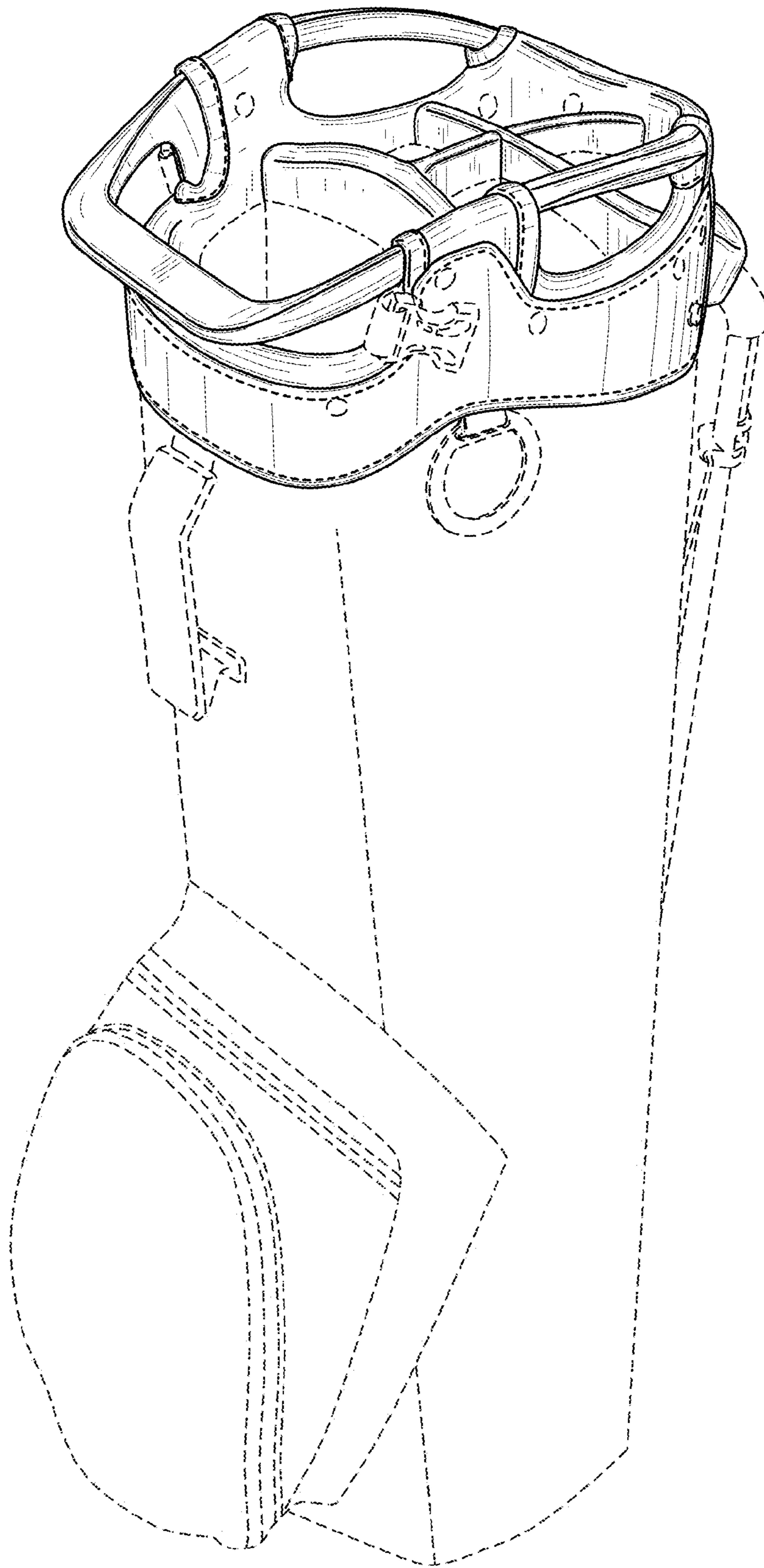


FIG. 1

FIG. 2



FIG. 3

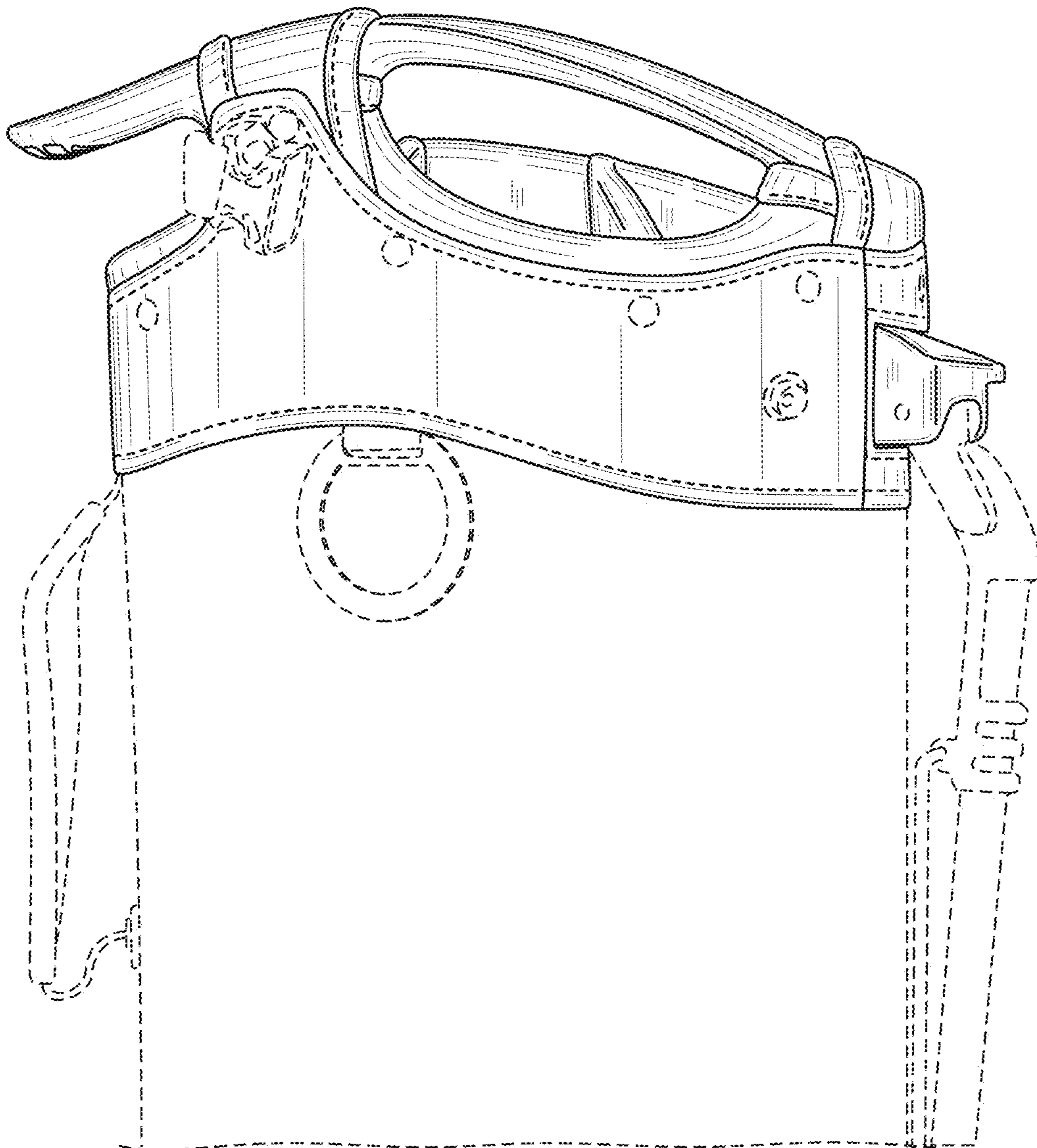


FIG. 4

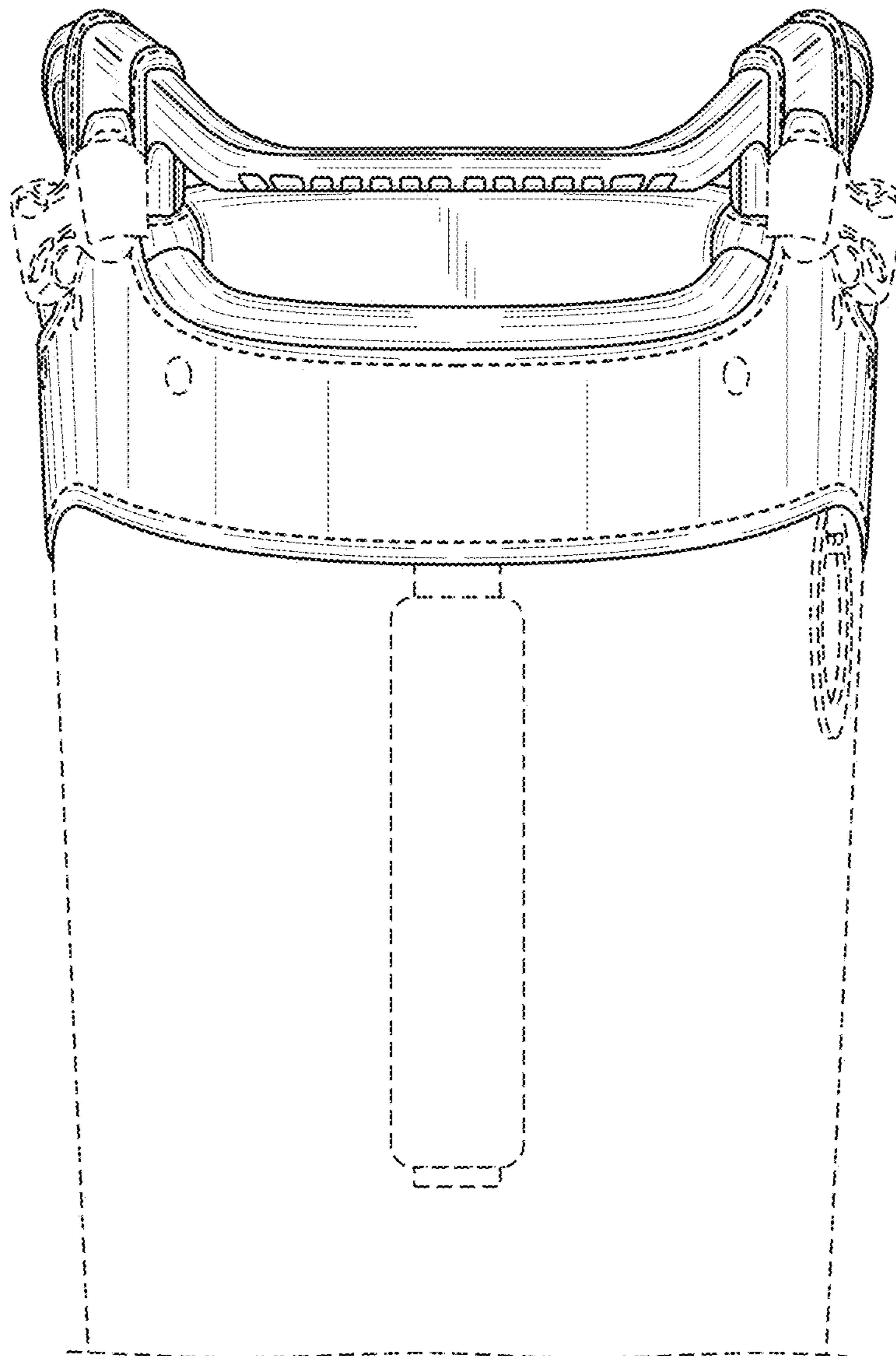


FIG. 5

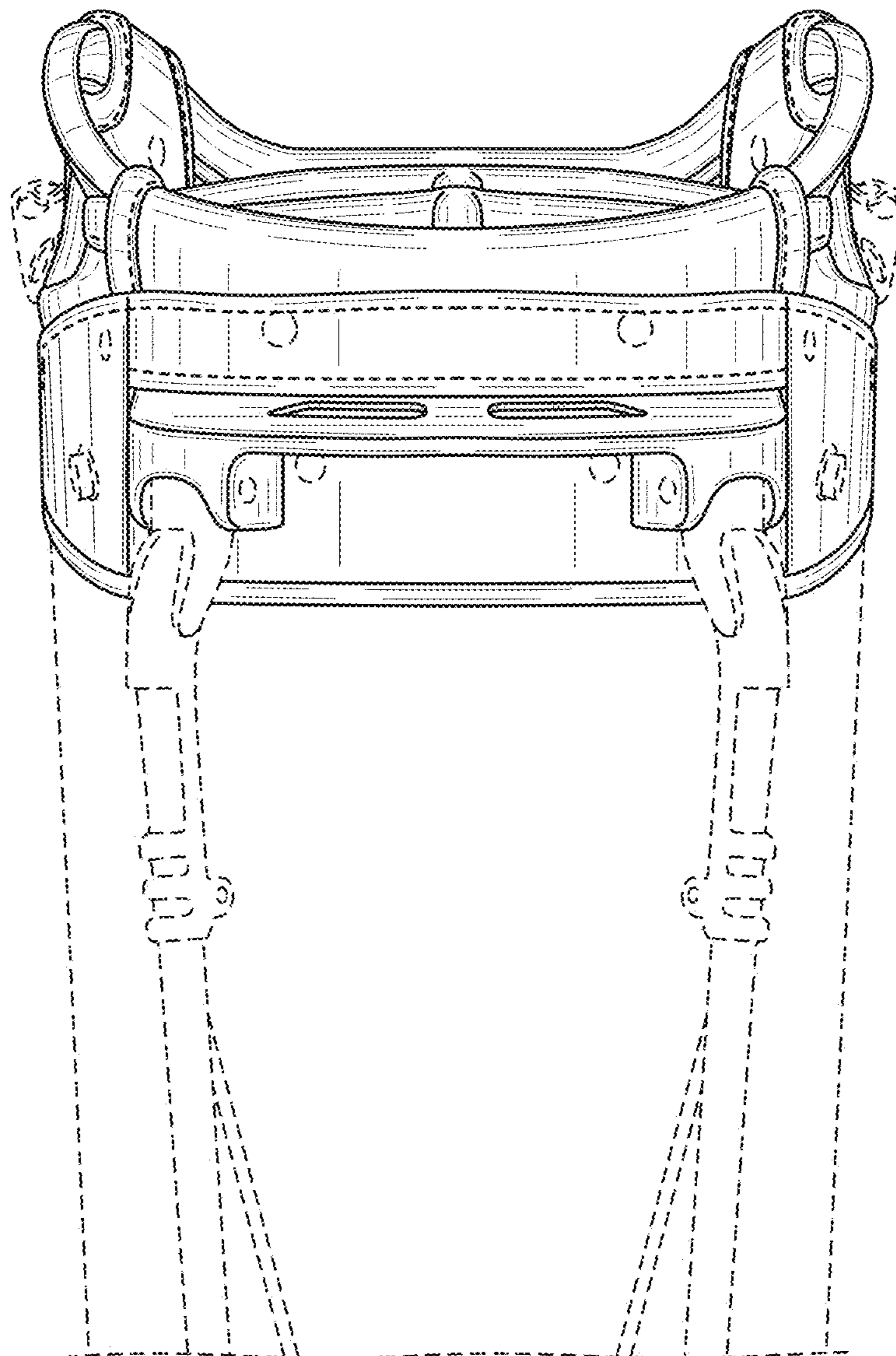


FIG. 6

