



US00D972843S

(12) **United States Design Patent** (10) **Patent No.:** **US D972,843 S**
Sarig (45) **Date of Patent:** **** *Dec. 20, 2022**

(54) **STORAGE CONTAINER**
(71) Applicant: **Rivian IP Holdings, LLC**, Plymouth, MI (US)
(72) Inventor: **Bar Sarig**, Aliso Viejo, CA (US)
(73) Assignee: **Rivian IP Holdings, LLC**, Irvine, CA (US)
(*) Notice: This patent is subject to a terminal disclaimer.
(**) Term: **15 Years**
(21) Appl. No.: **29/810,154**
(22) Filed: **Oct. 1, 2021**
(51) **LOC (13) Cl.** **03-01**
(52) **U.S. Cl.** **D3/304**
(58) **Field of Classification Search**
USPC D3/201, 304, 307, 308, 315; D6/512, D6/525, 672, 675
CPC ... B65D 1/00; B65D 1/34; B65D 1/38; B65D 5/46; B65D 5/46072; B65D 21/00
See application file for complete search history.

D825,923 S * 8/2018 Suomela D3/304
D894,603 S * 9/2020 Dittrich D3/306
D901,293 S * 11/2020 Plattner D9/425
D907,365 S * 1/2021 Roe D3/307
D935,775 S * 11/2021 Tsai D3/306

* cited by examiner
Primary Examiner — Kelley A Donnelly
(74) *Attorney, Agent, or Firm* — Clements Bernard Baratta Walker; Christopher L. Bernard

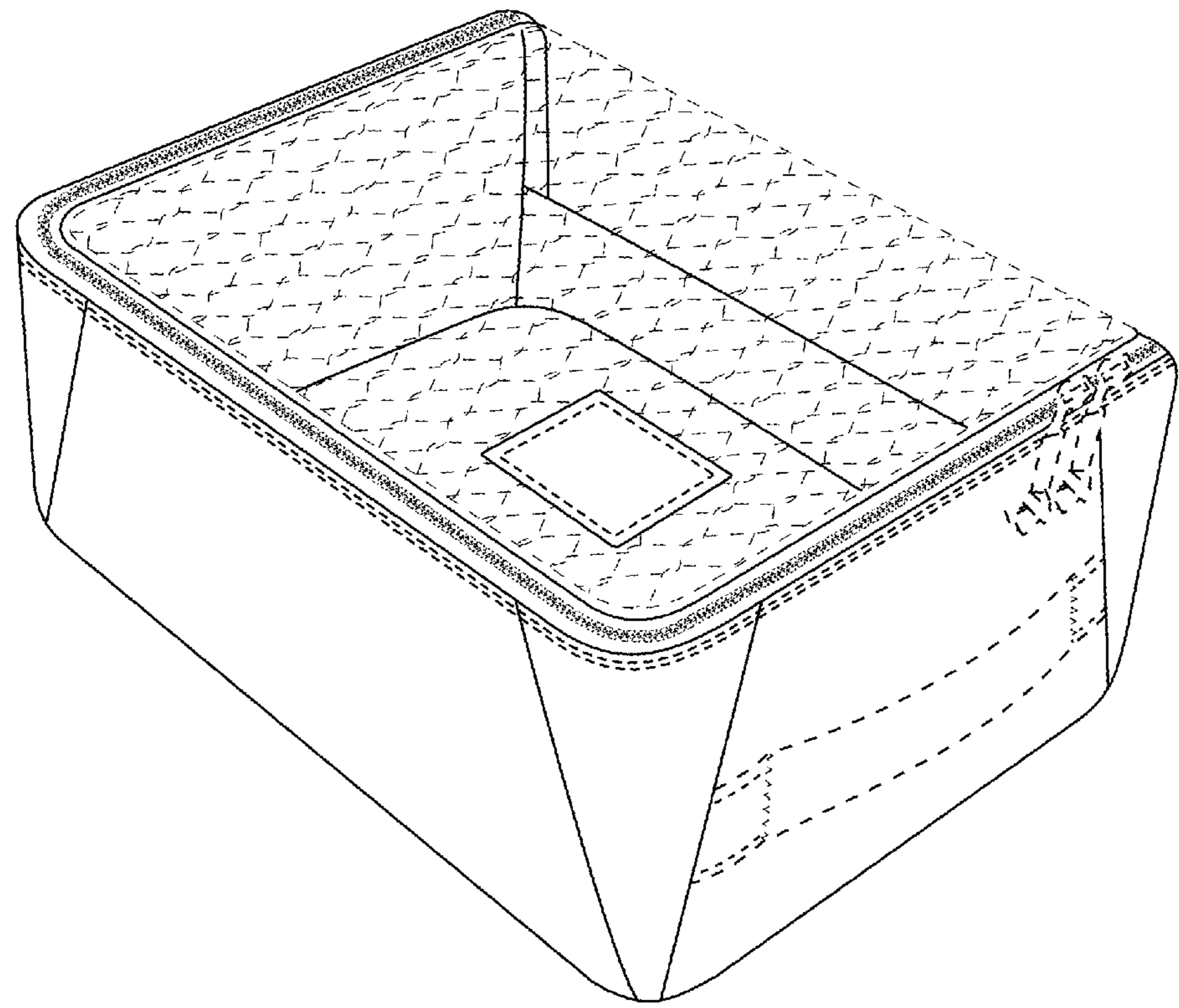
(57) **CLAIM**
The ornamental design for a storage container, as shown and described.

DESCRIPTION

FIG. 1 is a front-top-right perspective view of the storage container of the present disclosure;
FIG. 2 is a top planar view of the storage container of the present disclosure;
FIG. 3 is a bottom planar view of the storage container of the present disclosure;
FIG. 4 is a front planar view of the storage container of the present disclosure;
FIG. 5 is a rear planar view of the storage container of the present disclosure; and,
FIG. 6 is a left side planar view of the storage container of the present disclosure (the right side planar view is a mirror image).
Where applicable, features shown in broken lines are for illustrative purposes only and form no part of the claimed design.

(56) **References Cited**
U.S. PATENT DOCUMENTS
D323,296 S * 1/1992 Schoenthaler D9/434
D547,064 S * 7/2007 Snell D3/304

1 Claim, 6 Drawing Sheets



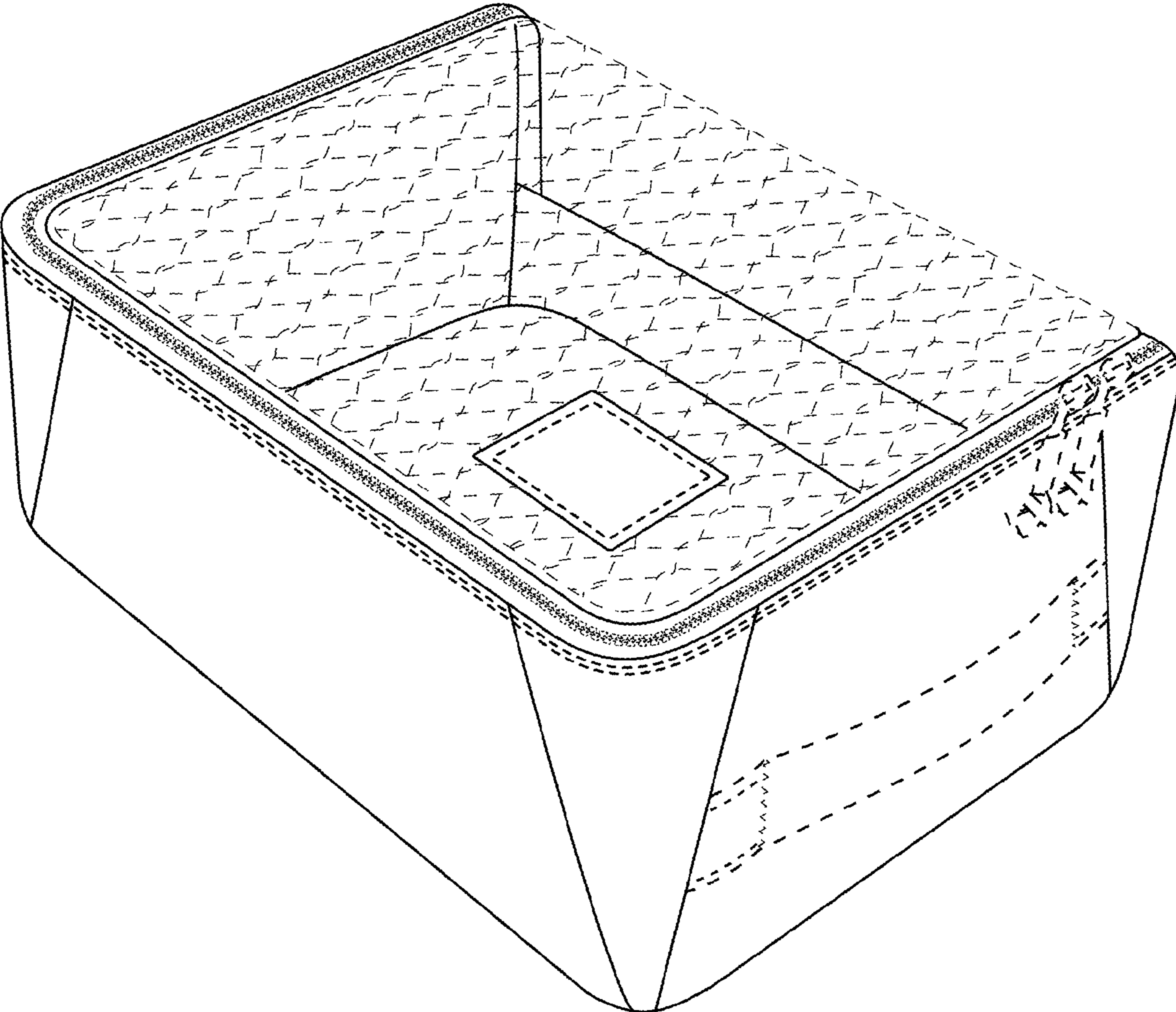


FIG. 1

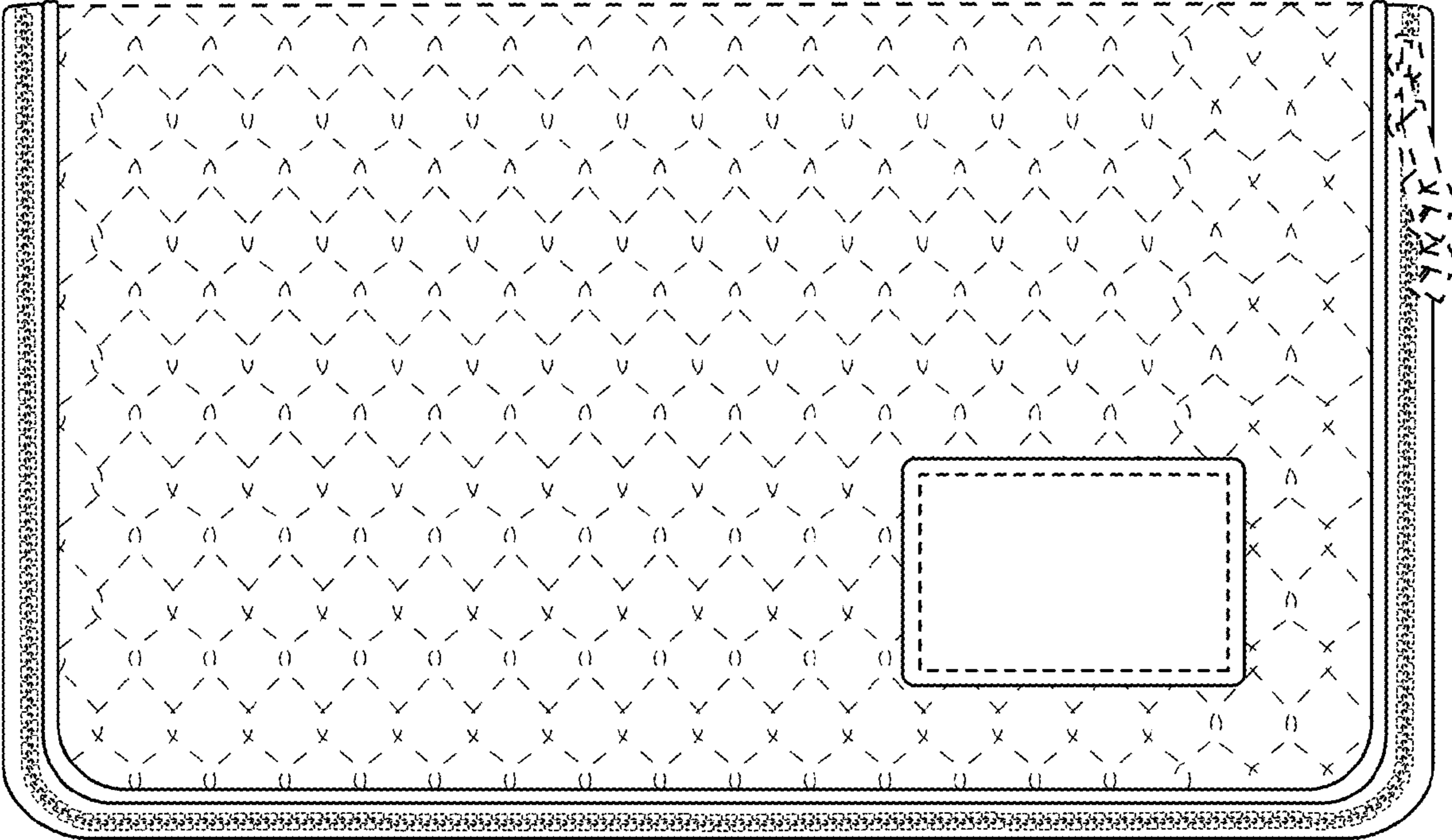


FIG. 2

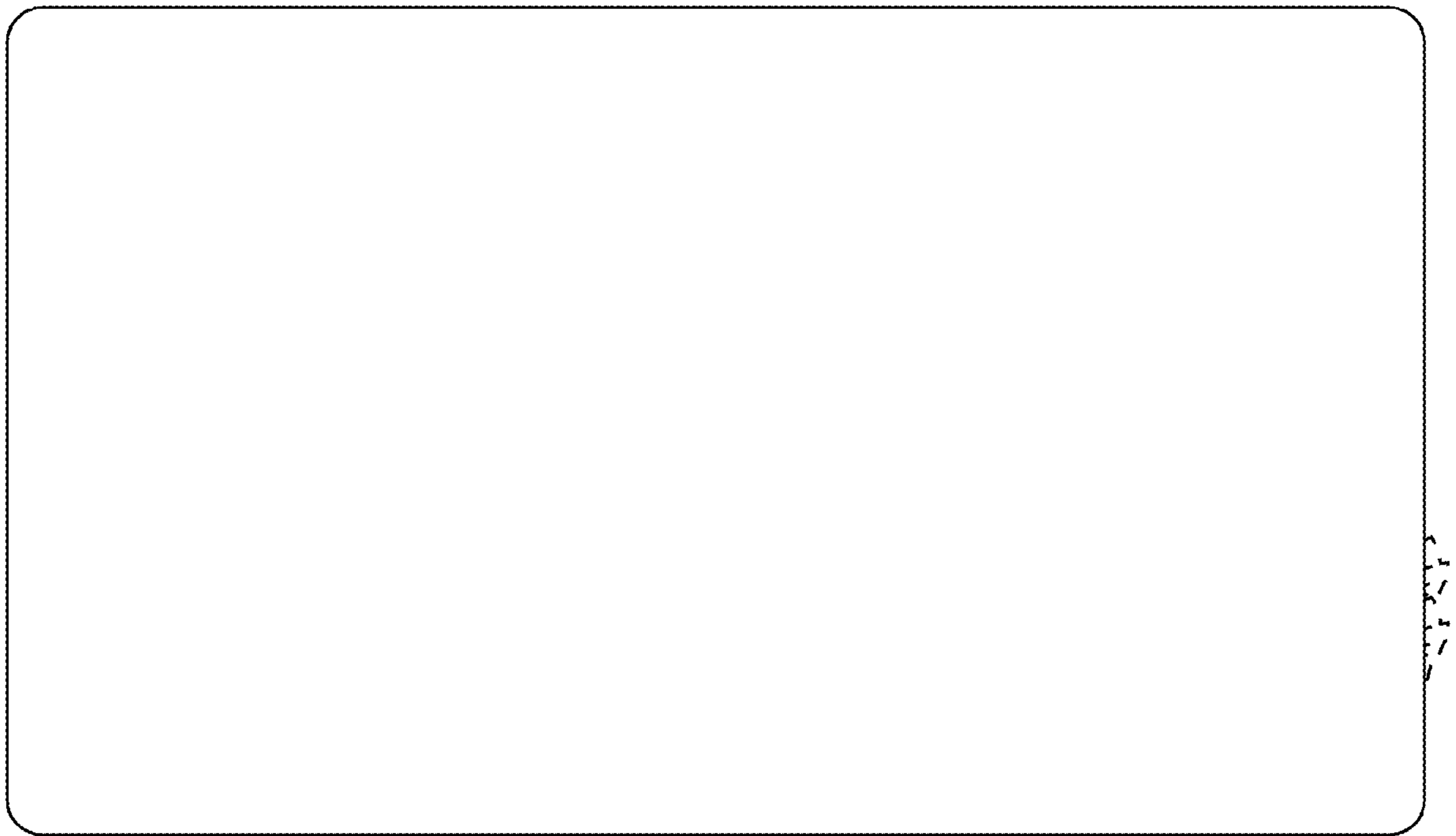


FIG. 3



FIG. 4

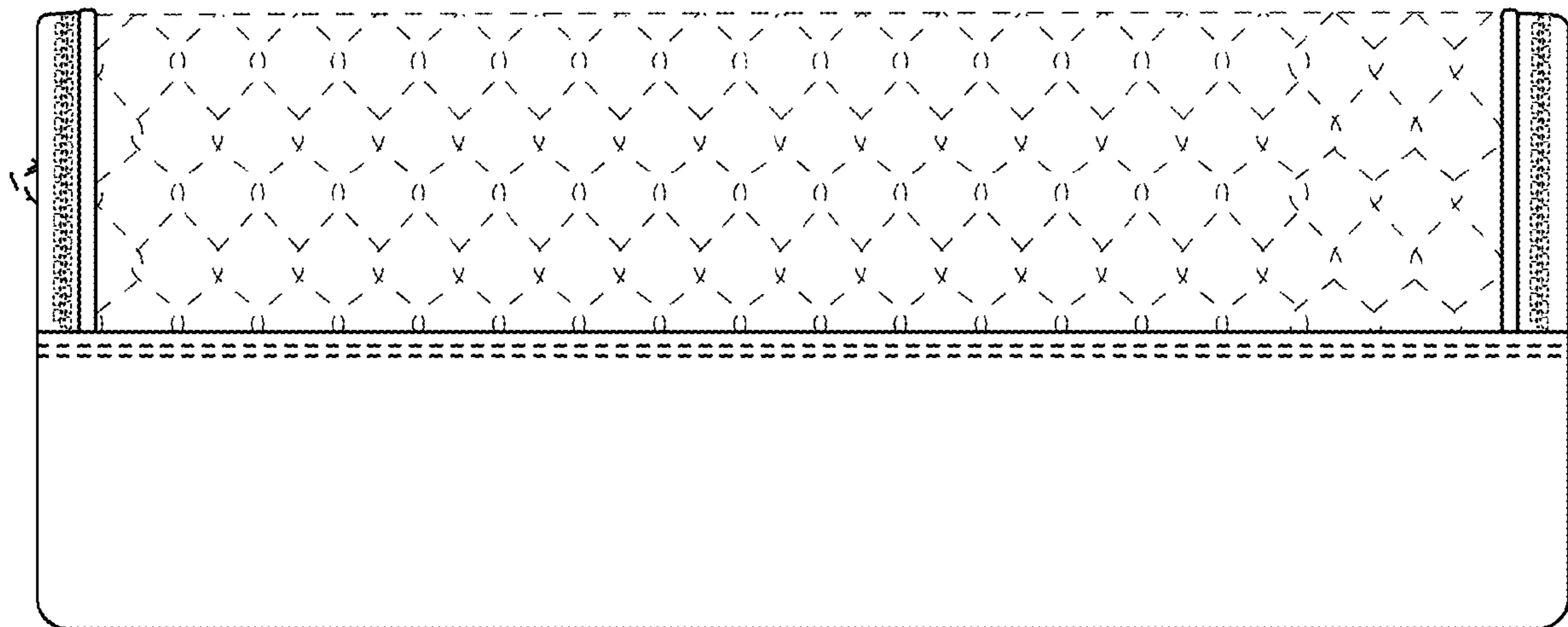


FIG. 5

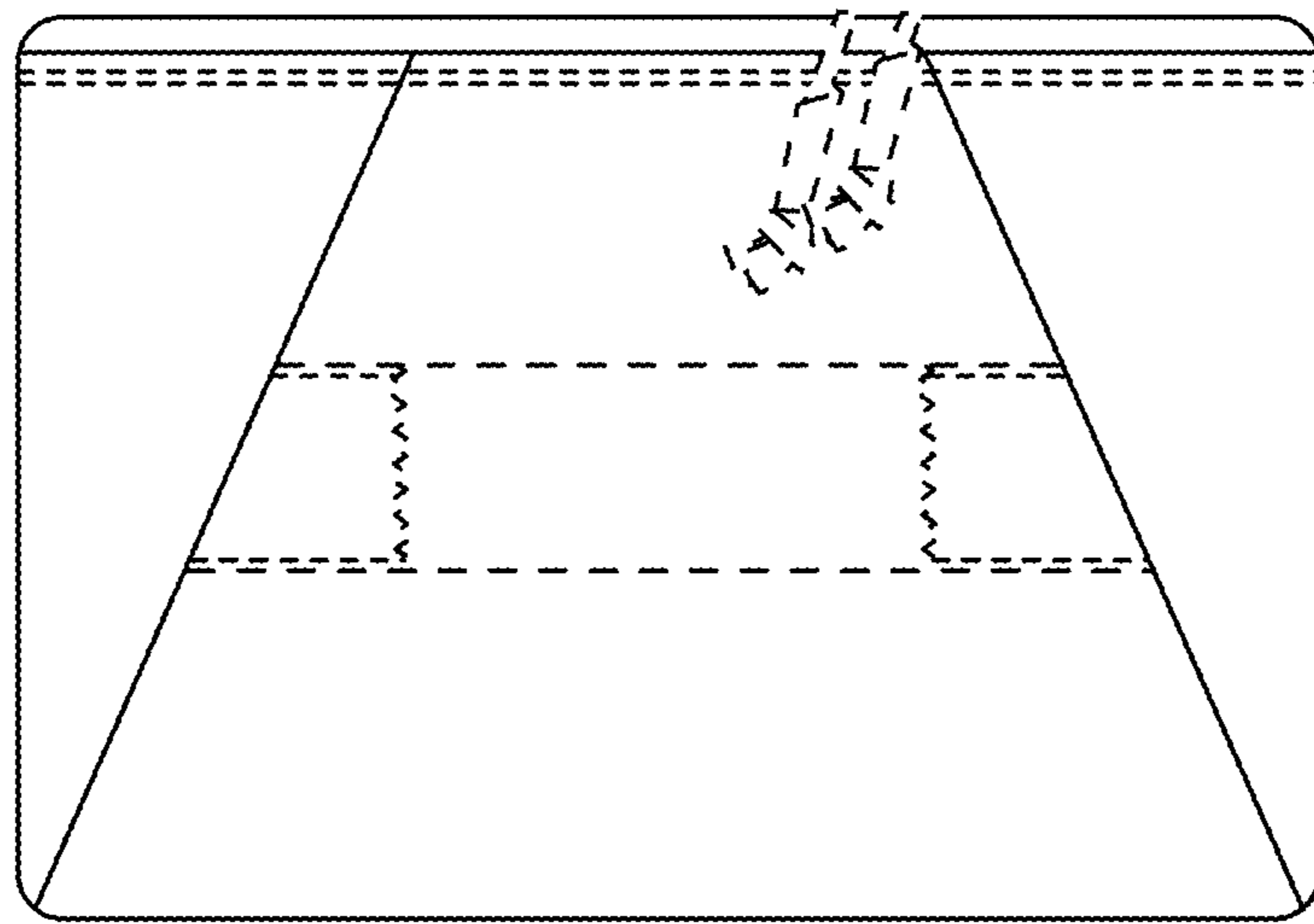


FIG. 6