



US00D972840S

(12) **United States Design Patent**
Piccioli

(10) **Patent No.:** **US D972,840 S**

(45) **Date of Patent:** **** Dec. 20, 2022**

- (54) **BAG**
- (71) Applicant: **Valentino S.p.A**, Milan (IT)
- (72) Inventor: **Pierpaolo Piccioli**, Milan (IT)
- (73) Assignee: **Valentino S.p.A.**, Milan (IT)
- (**) Term: **15 Years**

D833,742 S *	11/2018	Sassi	D3/245
D855,976 S *	8/2019	Sassi	D3/232
D858,981 S *	9/2019	Sassi	D3/243
D864,562 S *	10/2019	Sassi	D3/243

* cited by examiner

Primary Examiner — Holly E Thurman
(74) *Attorney, Agent, or Firm* — Ferguson Case Orr Paterson

- (21) Appl. No.: **35/511,672**
- (22) Filed: **Mar. 25, 2021**

(80) **Hague Agreement Data**

Int. Filing Date: **Mar. 25, 2021**
 Int. Reg. No.: **DM/213504**
 Int. Reg. Date: **Mar. 25, 2021**
 Int. Reg. Pub. Date: **Apr. 9, 2021**

- (51) **LOC (13) Cl.** **03-01**
- (52) **U.S. Cl.**
USPC **D3/246**
- (58) **Field of Classification Search**
USPC D3/201, 217, 232–233, 240–243,
D3/245–247, 249–253, 318, 321, 322
CPC A45C 1/024; A45C 3/06
See application file for complete search history.

(56) **References Cited**

U.S. PATENT DOCUMENTS

D826,555 S *	8/2018	Sassi	D3/232
D830,690 S *	10/2018	Sassi	D3/232

(57) **CLAIM**

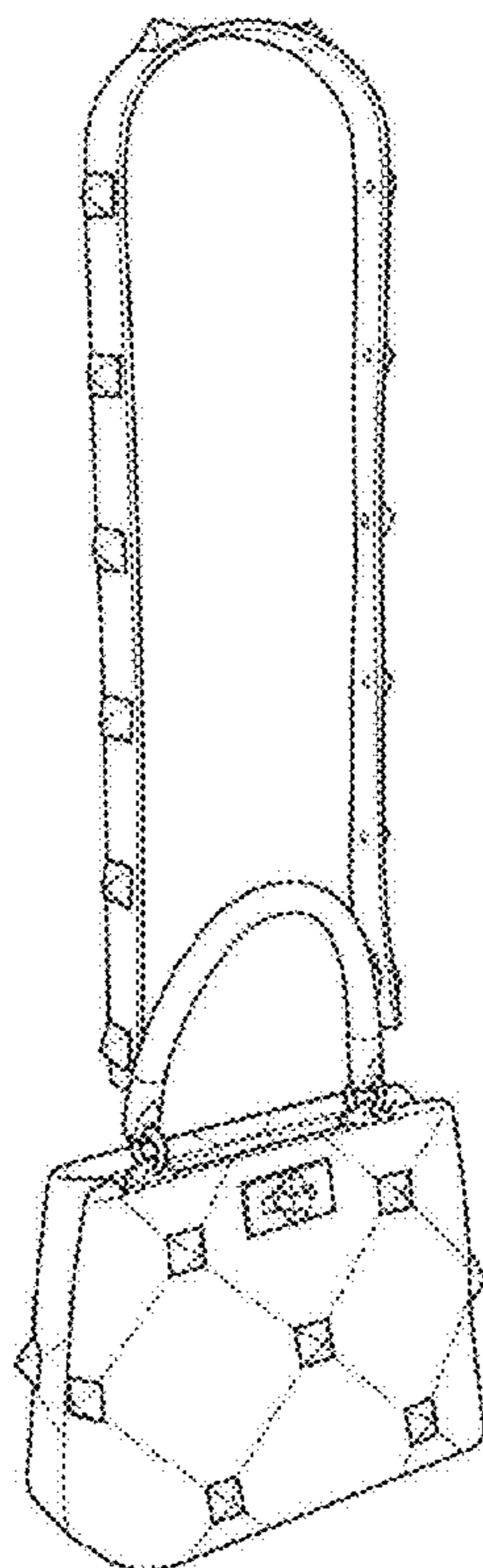
The ornamental design for a bag, as shown and described.

DESCRIPTION

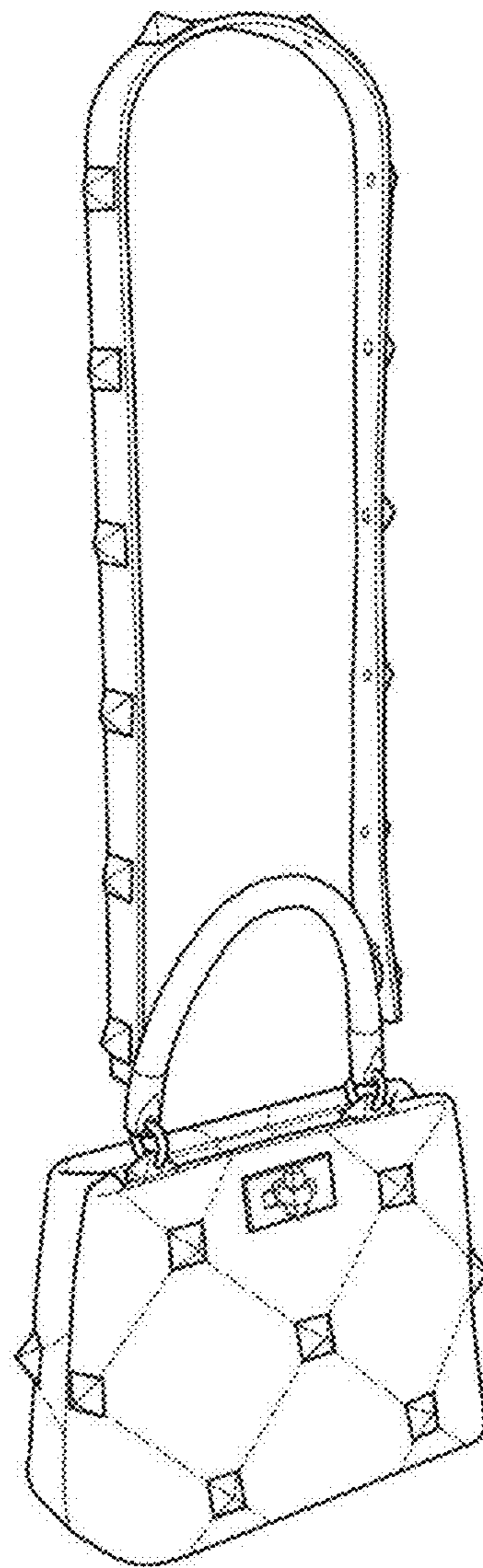
- 1. Bag
- 1.1 : Perspective
- 1.2 : Front
- 1.3 : Back
- 1.4 : Left
- 1.5 : Right
- 1.6 : Top
- 1.7 : Bottom

In the representations of the design, broken lines on the outside surfaces of the bag represent stitching and form part of the claimed design; broken lines on the inside of the bag as seen in FIGs. 1.1 and 1.6 represent portions of the bag that form no part of the claimed design.

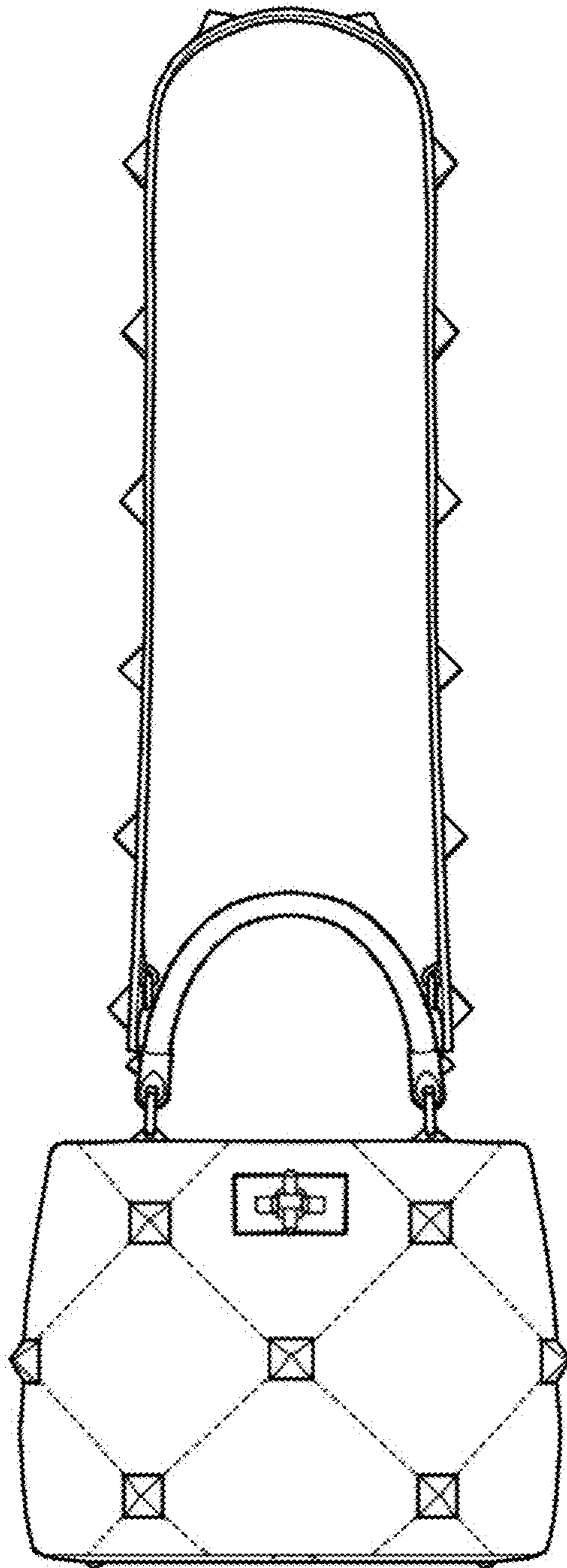
1 Claim, 7 Drawing Sheets



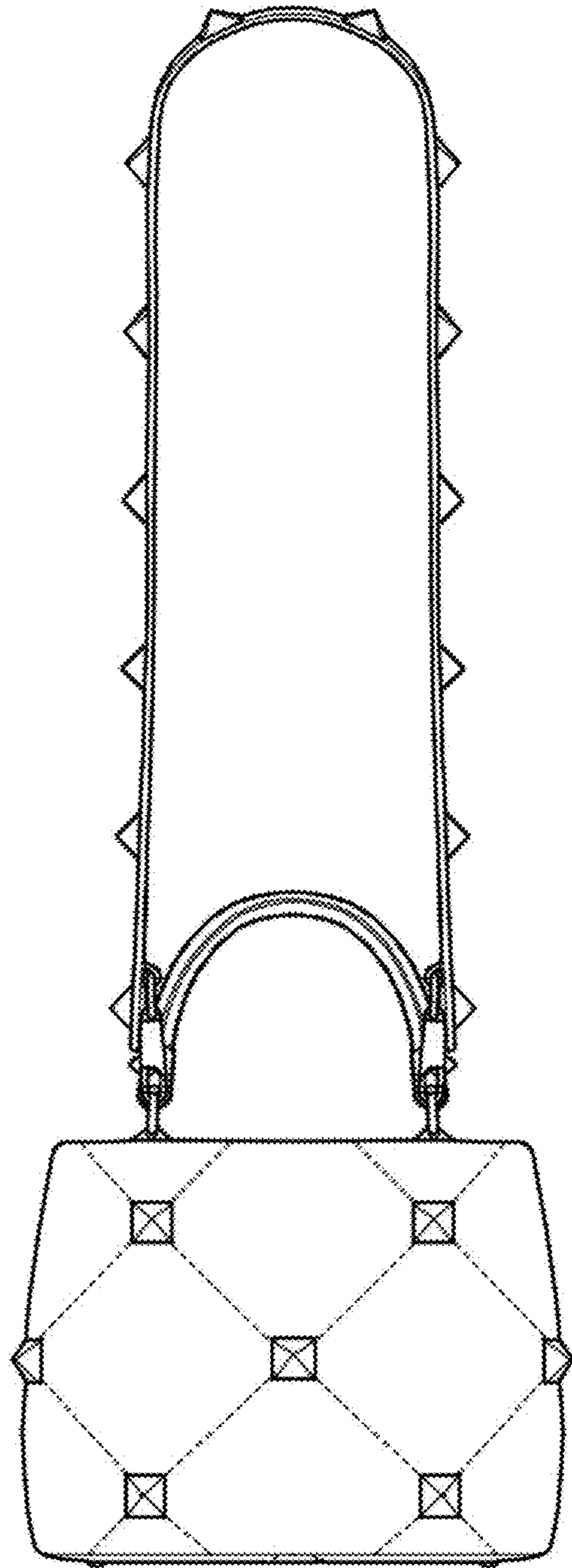
1.1



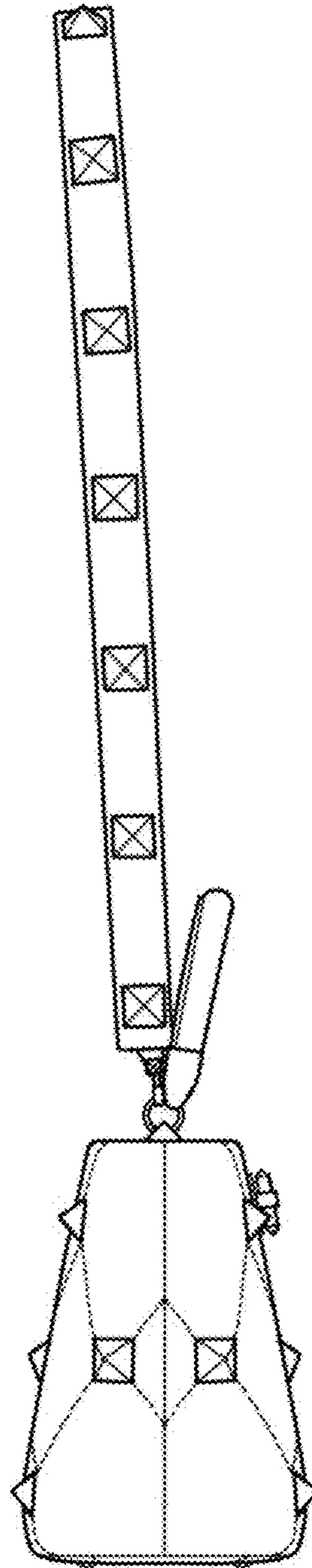
1.2



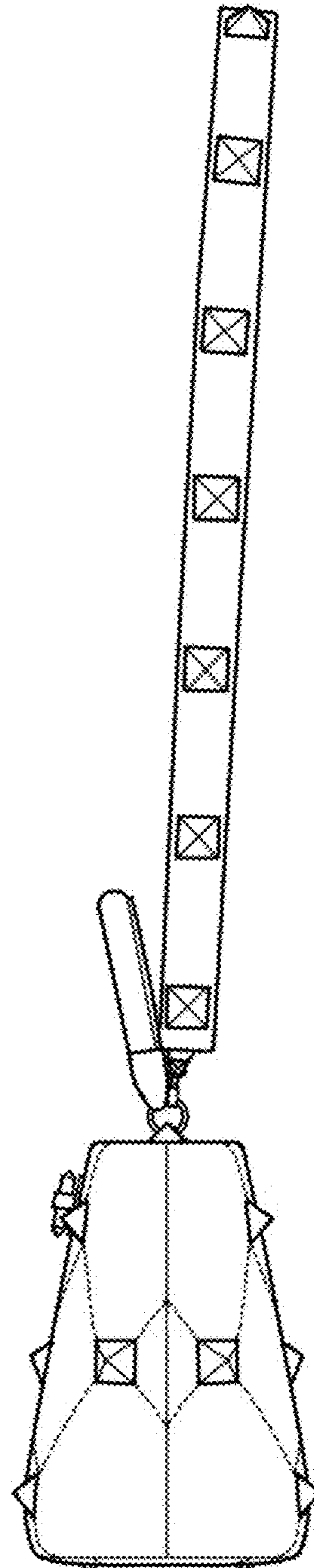
1.3



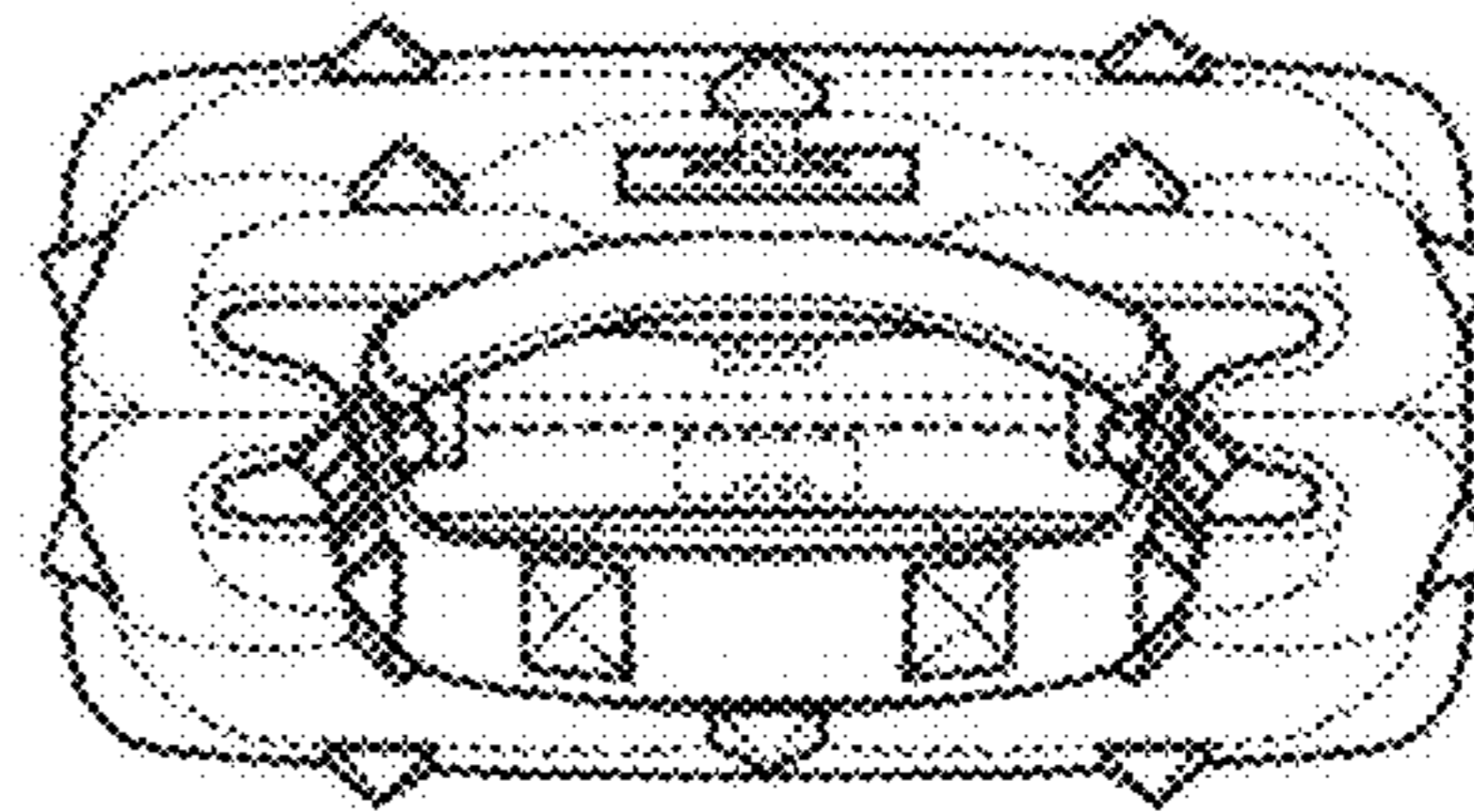
1.4



1.5



1.6



1.7

