



US00D972835S

(12) **United States Design Patent**
McIntosh et al.

(10) **Patent No.:** **US D972,835 S**

(45) **Date of Patent:** **** Dec. 20, 2022**

(54) **OFFSET UMBRELLA BASE**

(71) Applicant: **Canadian Tire Corporation, Limited**,
Toronto (CA)

(72) Inventors: **Jayn McIntosh**, Toronto (CA); **Ashuni Ashit Patel**, Toronto (CA); **Lisa Jean Simla**, East York (CA); **Elishka D'Silva**, Toronto (CA); **Luca Felipe Alvergue**, Burlington (CA)

(73) Assignee: **CANADIAN TIRE CORPORATION, LIMITED**, Toronto (CA)

(**) Term: **15 Years**

(21) Appl. No.: **29/775,982**

(22) Filed: **Mar. 26, 2021**

(30) **Foreign Application Priority Data**

Sep. 28, 2020 (CA) CA 198404

(51) **LOC (13) Cl.** **03-03**

(52) **U.S. Cl.**
USPC **D3/10**

(58) **Field of Classification Search**
USPC D3/5-17; D8/387, 388; D11/181, 182;
D15/139

(Continued)

(56) **References Cited**

U.S. PATENT DOCUMENTS

D484,303 S * 12/2003 Taylor D3/10
D485,055 S * 1/2004 Taylor D3/10

(Continued)

FOREIGN PATENT DOCUMENTS

CN 303941715 * 11/2016
CN 303982646 * 12/2016

OTHER PUBLICATIONS

Amazon.ca, Site visited May 12, 2022, Tangkula 4pc Patio Umbrella Base, First Available Feb. 21, 2020, <https://www.amazon.ca/Tangkula-Cantilever-Umbrella-Octagon-Easy-Fill/dp/B085193SJT> (Year: 2020).*

(Continued)

Primary Examiner — Brett Miller

Assistant Examiner — Jessica M Gebhart

(74) *Attorney, Agent, or Firm* — Alston & Bird LLP

(57) **CLAIM**

The ornamental design for an offset umbrella base, as shown and described.

DESCRIPTION

FIG. 1 is a front elevation view of an assembled segment of an offset umbrella base, according to the present design.

FIG. 2 is a top plan view of the assembled segment of the offset umbrella base of FIG. 1.

FIG. 3 is a bottom plan view of a lid of the assembled segment of the offset umbrella base of FIG. 1.

FIG. 4 is an exploded view of the assembled segment of the offset umbrella base of FIG. 1.

FIG. 5 is a front elevation view of a base piece of the assembled segment of the offset umbrella base of FIG. 1.

FIG. 6 is a top plan view of the base piece of the assembled segment of the offset umbrella base of FIG. 1.

FIG. 7 is a front view of the base piece of the assembled segment of the offset umbrella base of FIG. 1.

FIG. 8 is a rear view of the base piece of the assembled segment of the offset umbrella base of FIG. 1.

FIG. 9 is a top view of the lid of the assembled segment of the offset umbrella base of FIG. 1.

FIG. 10 is a bottom view of the lid of the assembled segment of the offset umbrella base of FIG. 1.

FIG. 11 is a front view of the lid of the assembled segment of the offset umbrella base of FIG. 1.

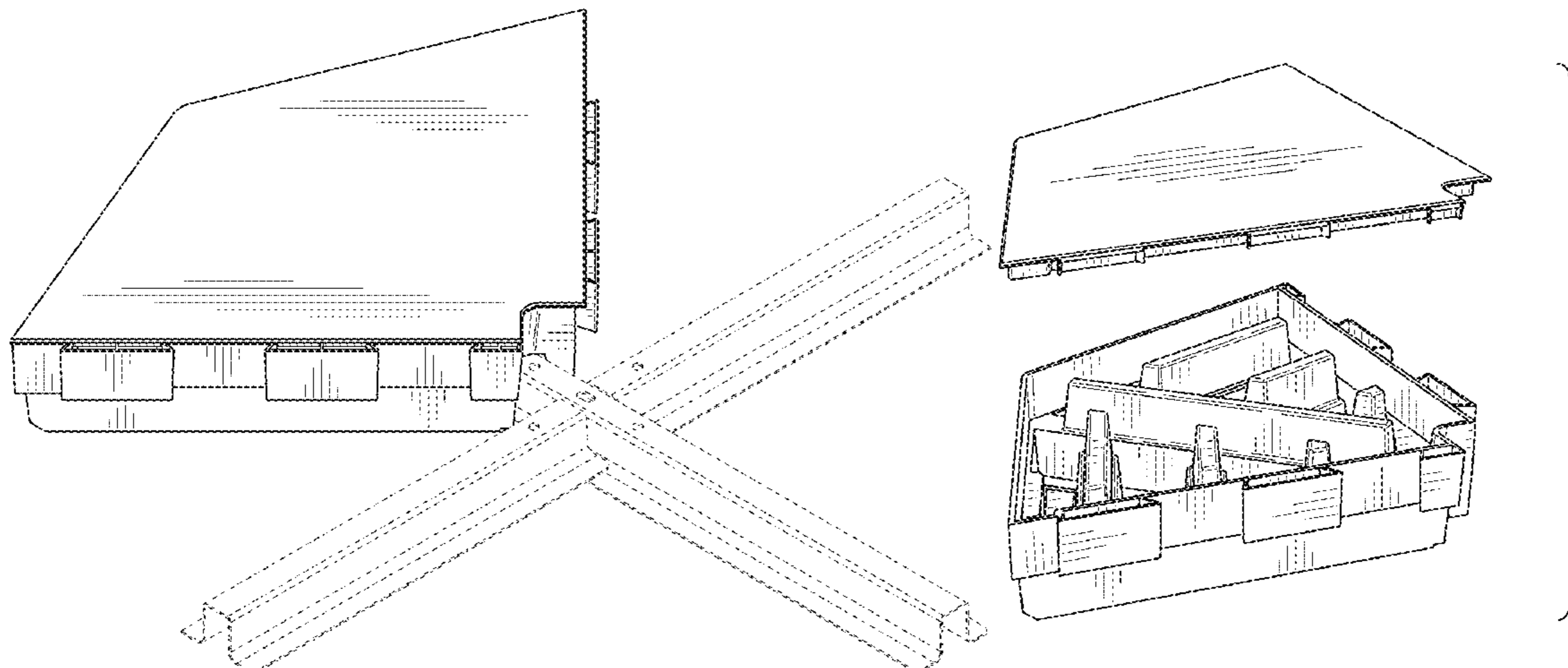
FIG. 12 is a front elevation view of the lid of the assembled segment of the offset umbrella base of FIG. 1.

FIG. 13 is a front elevation view of a plurality of the base pieces of the assembled segment of the offset umbrella base of FIG. 1, shown in a stacked configuration; and,

FIG. 14 is a rear view of the stacked base pieces of FIG. 13.

The broken lines shown in the drawings depict portions of the offset umbrella base that form no part of the claimed design.

1 Claim, 7 Drawing Sheets



(58) **Field of Classification Search**

CPC A45B 23/00; A45B 17/00; A45B 25/14;
A45B 25/10; A45B 19/04
See application file for complete search history.

(56) **References Cited**

U.S. PATENT DOCUMENTS

7,614,600 B1 * 11/2009 Smith G09F 23/00
248/910
D868,449 S * 12/2019 Siegenthaler D3/10
2013/0146739 A1 * 6/2013 Zhao E04H 12/2238
248/519

OTHER PUBLICATIONS

Amazon.ca, Site visited May 12, 2022, Giantex 4 piece Patio Umbrella Base, First available May 13, 2020, <https://www.amazon.ca/Giantex-Umbrella-Octagonal-Cantilever-Easy-Filling/dp/B082HY2CFK> (Year: 2020).
EasyGoProducts Universal Offset Umbrella Base Weight Capacity—Plastic Weighted Stand—Fill with Water or Sand, Black, 60 L, Amazon.ca, (online), (6 pages), [Retrieved from the Internet Jun. 16, 2021] <https://www.amazon.ca/EasyGoProducts-Universal-Offset-Umbrella-Capacity/dp/B0195P4TOS/ref=sr_1_1?dchild=1

&keywords=EasyGoProducts+EGP-BASE-003+Universal+Offset+Umbrella&qid=1623784193&sr=8-1>.

For Living Offset Umbrella Base, Black, Canadian Tire, (online), (5 pages), [Retrieved from the Internet Jun. 16, 2021] <<https://www.canadiantire.ca/en/pdp/for-living-offset-umbrella-base-black-0881771p.html>>.

How To Weigh Down and Secure A Cantilever Umbrella | OutsideModern, Pinterest, (online), (1 page), [Retrieved from the Internet Jun. 16, 2021] <<https://www.pinterest.ca/pin/94927504632682831/>>.

Maypex 145LBS Water Filled Offset Cantilever Umbrella Base, Overstock.ca, (online), (5 pages), [Retrieved from the Internet Jun. 16, 2021] <<https://www.overstock.ca/Home-Garden/Maypex-145LBS-Water-Filled-Offset-Cantilever-Umbrella-Base/30106426/product.html>>.

Resin Umbrella Base Weight For Offset Umbrella—30 lbs—by Trademark Innovations, Amazon.ca, (online), (6 pages), [Retrieved from the Internet Jun. 16, 2021] <<https://www.amazon.ca/Resin-Umbrella-Base-Weight-Offset/dp/B0143KEG98>>.

SVARTÖ Umbrella Base, Ikea, (online), (5 pages), [Retrieved from the Internet Jun. 16, 2021] <https://www.ikea.com/ca/en/p/svartoe-umbrella-base-10285328/?utm_source=google&utm_medium=surfaces&utm_campaign=shopping_feed&utm_content=free_google_shopping_clicks_OutdoorSecondaryStorage&gclid=EAIaIQobChMIInaKPwqaa8QIVgrKGCh1EfQBCEAQYASABEGK3QfD_BwE>.

* cited by examiner

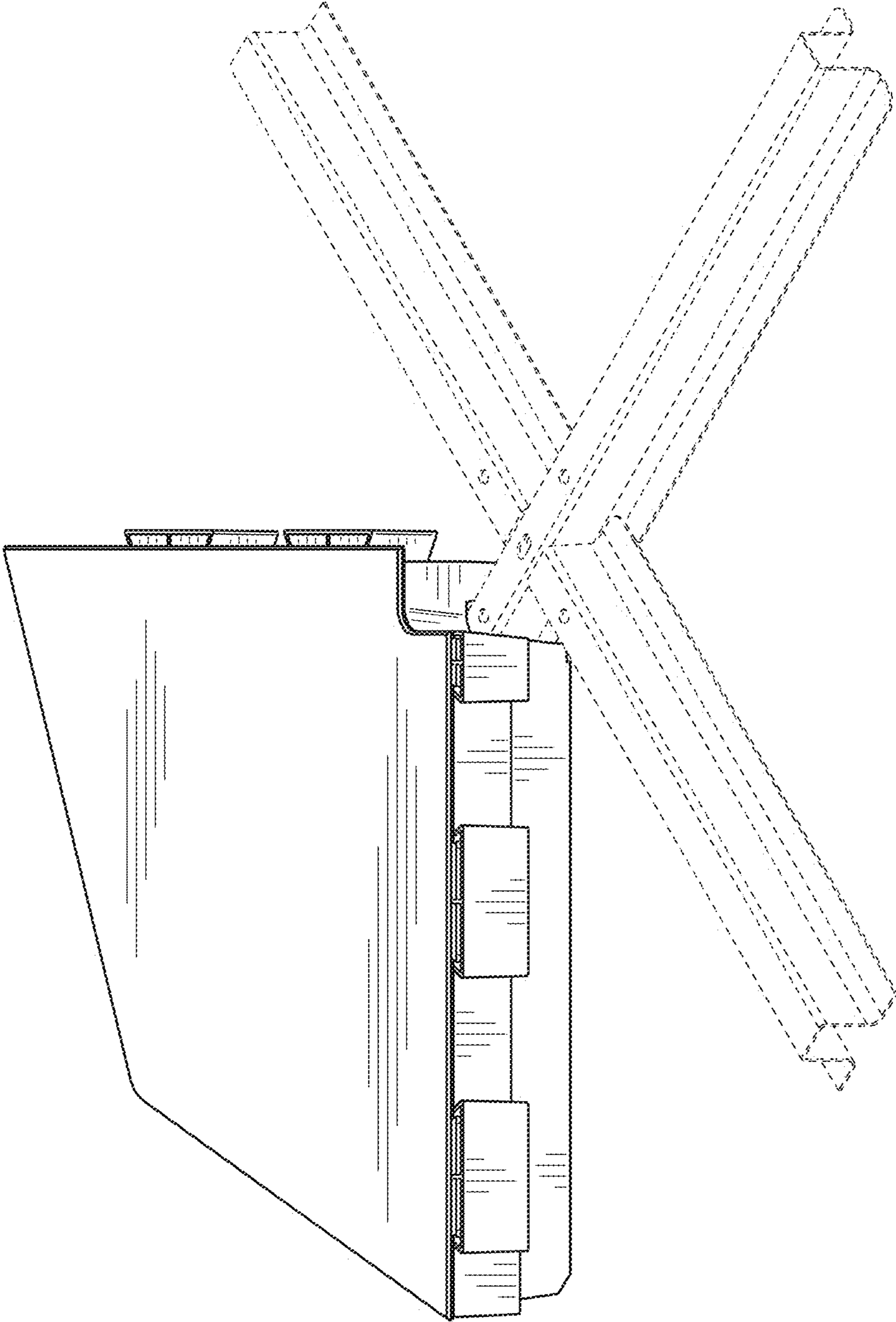


FIG. 1

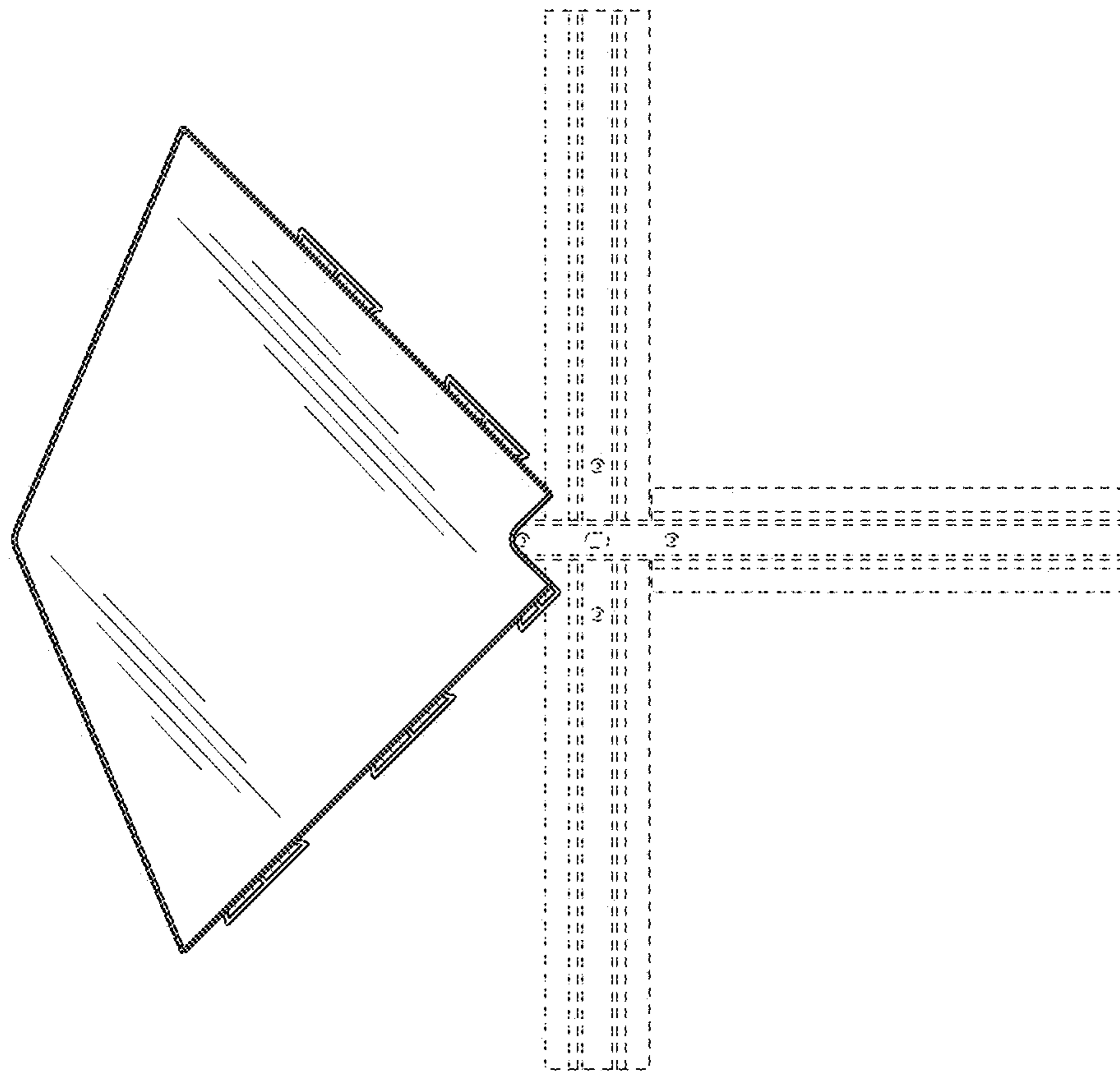


FIG. 2

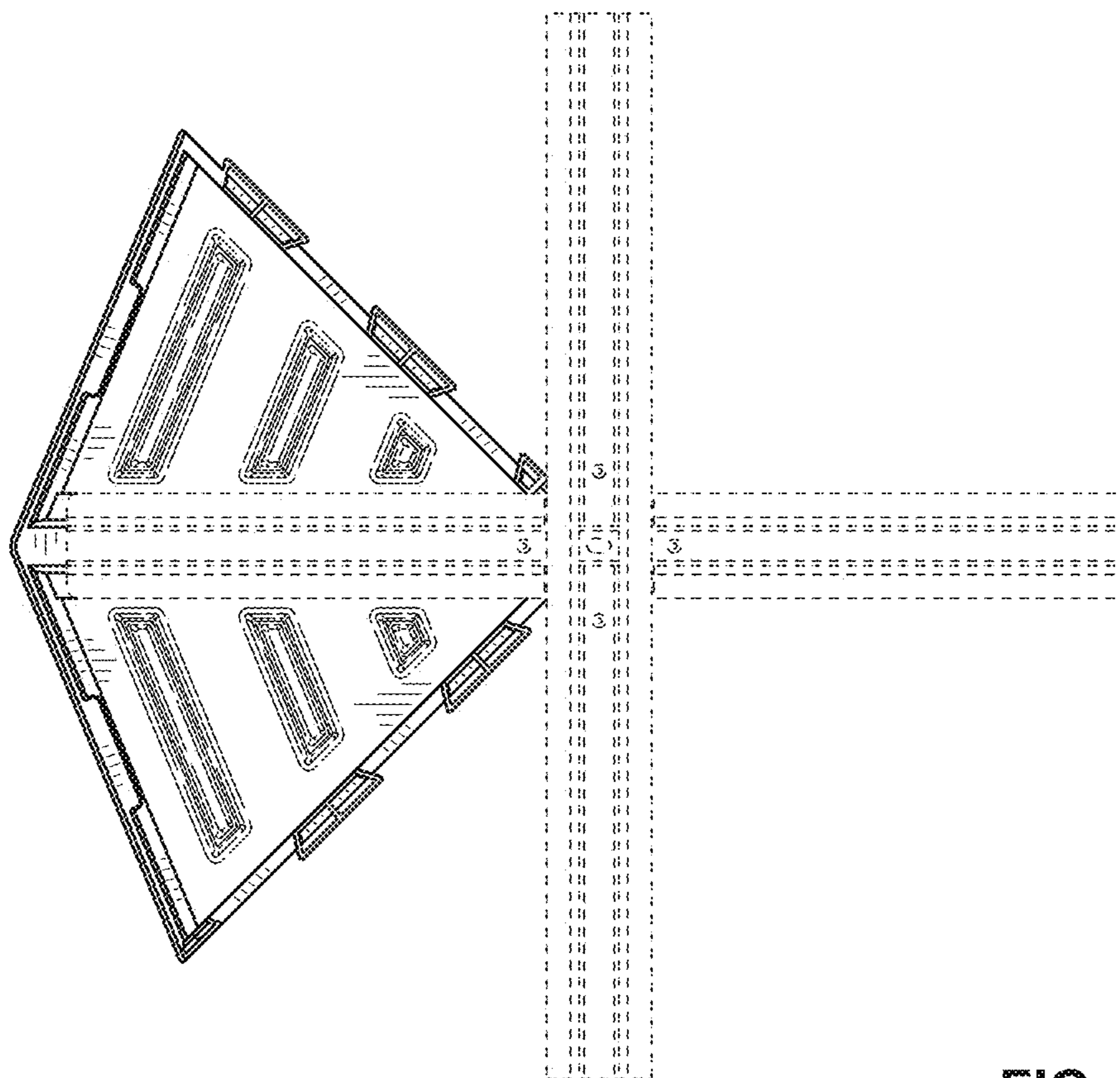


FIG. 3

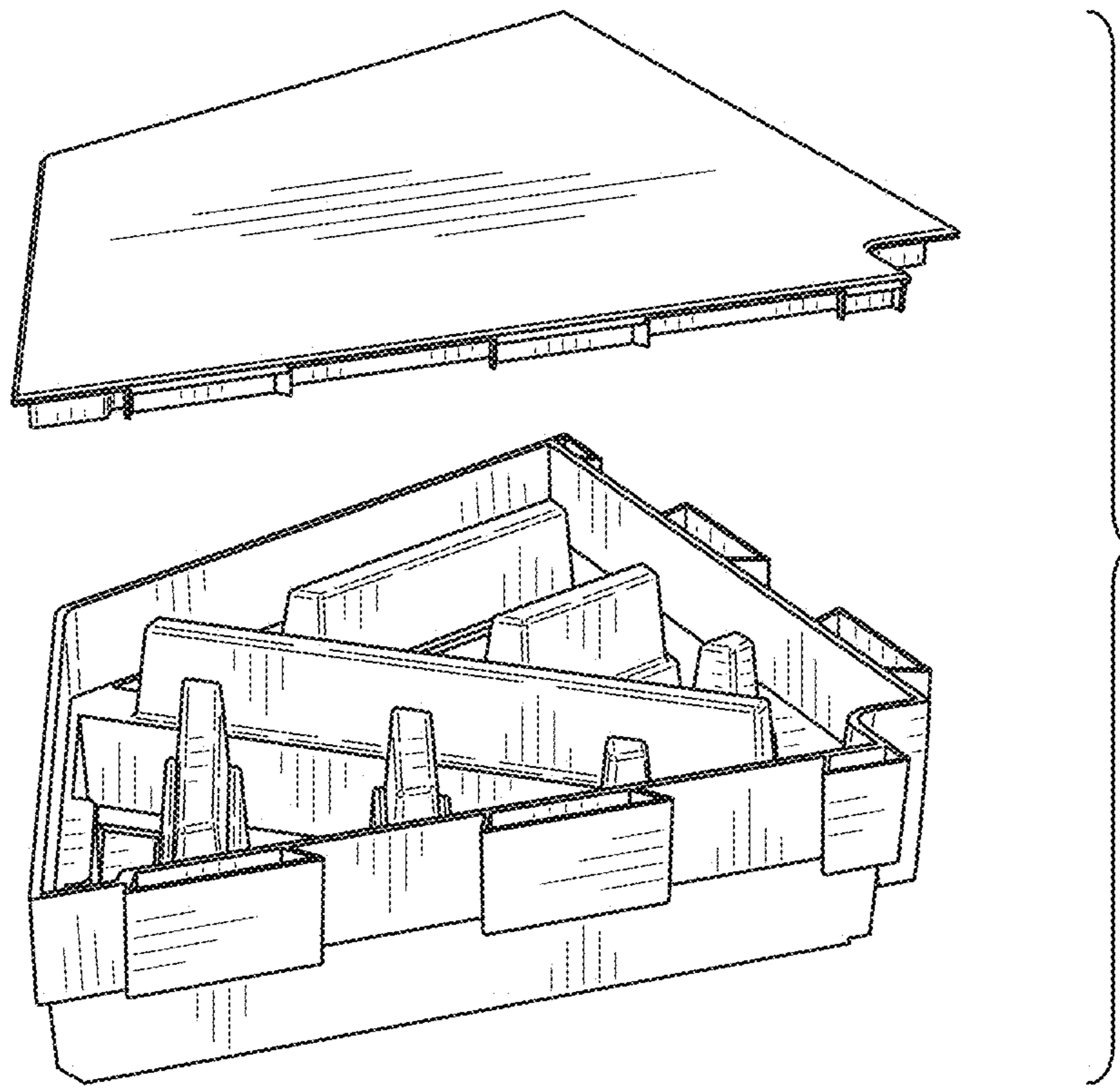


FIG. 4

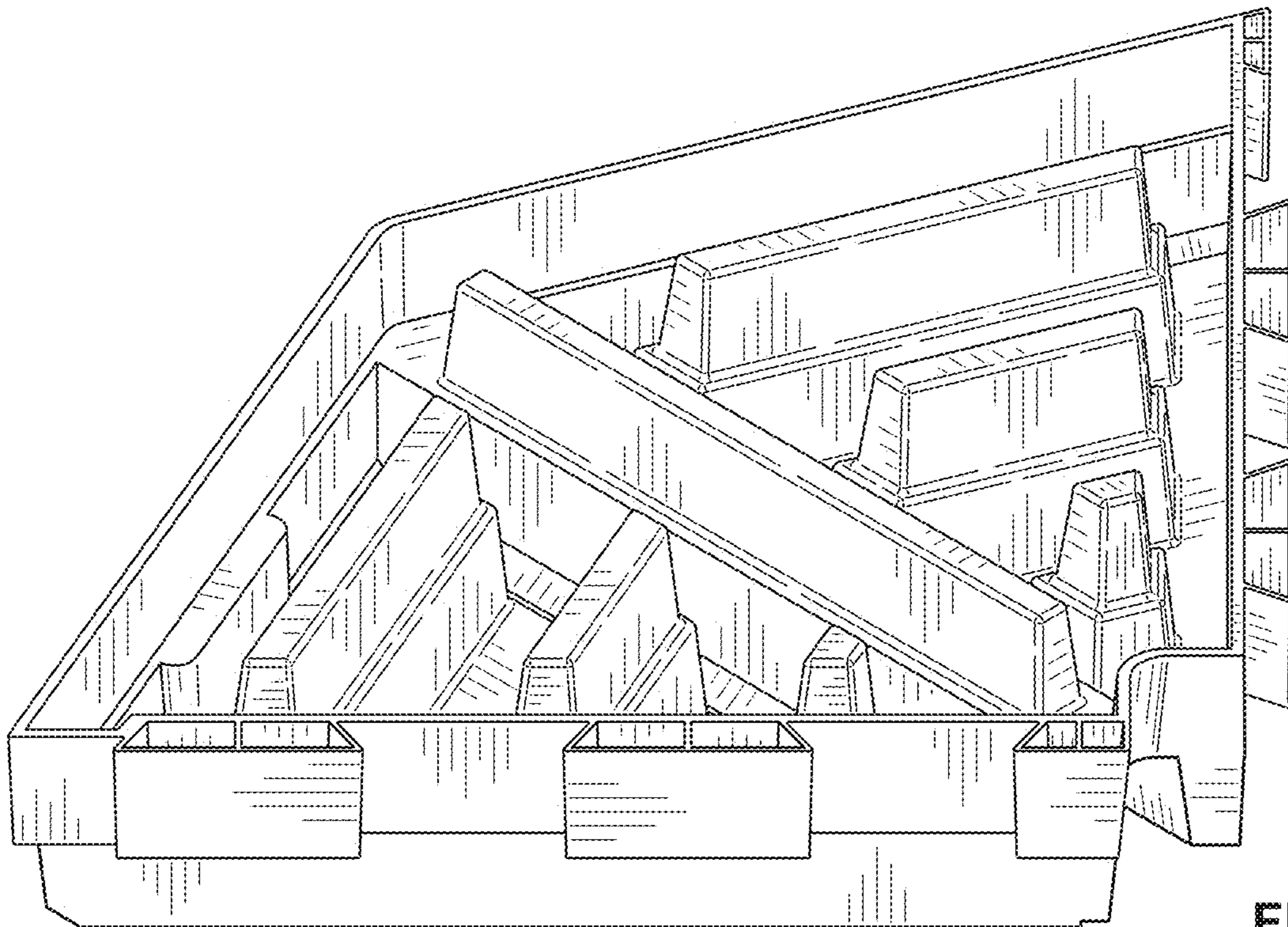


FIG. 5

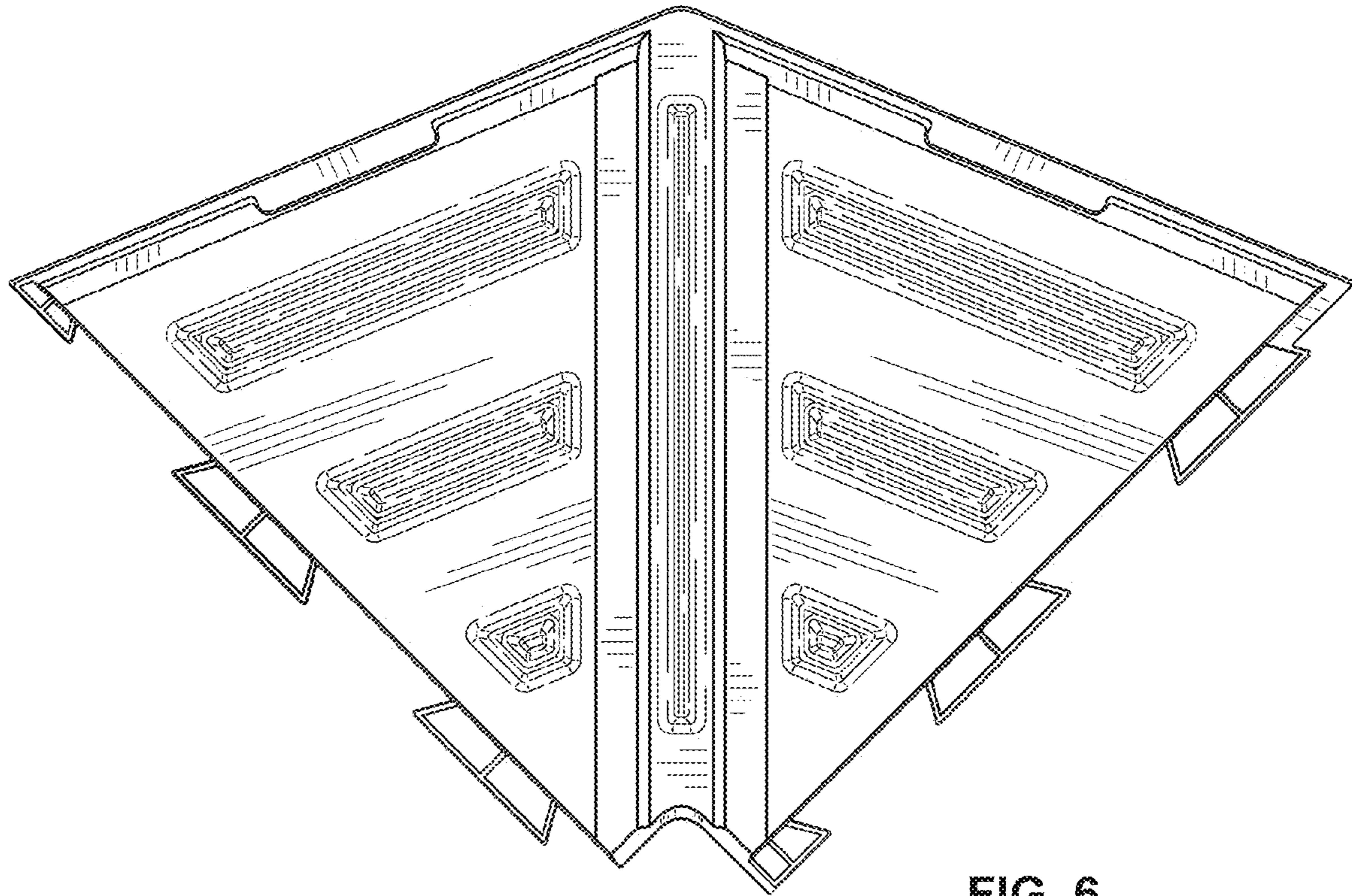


FIG. 6

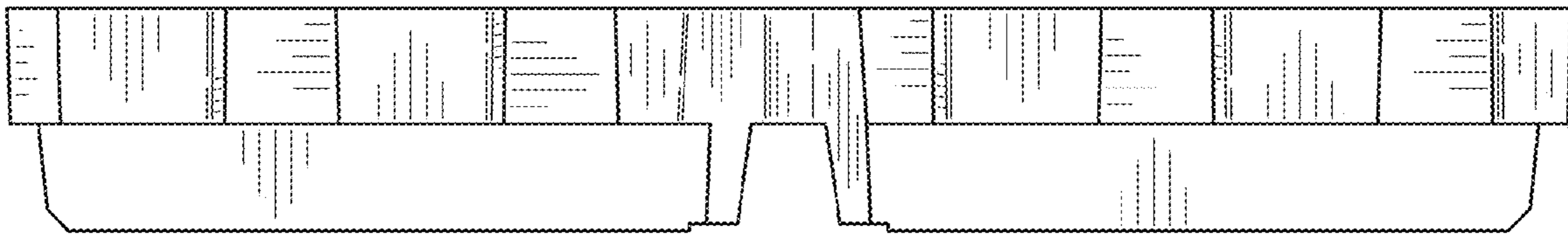


FIG. 7

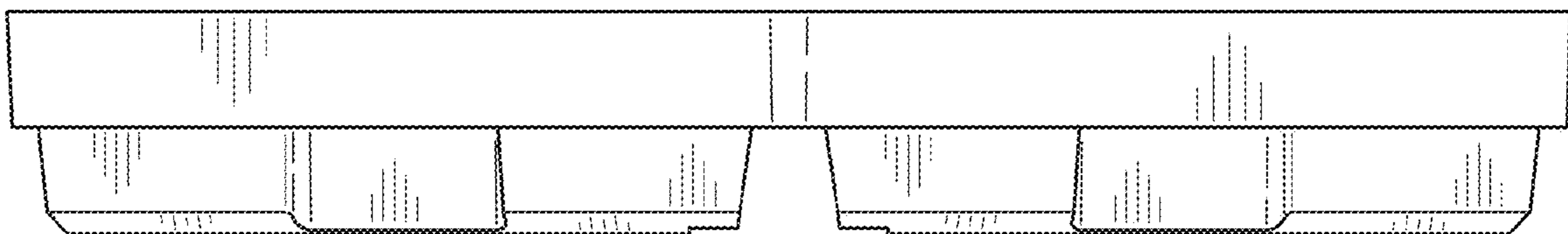


FIG. 8

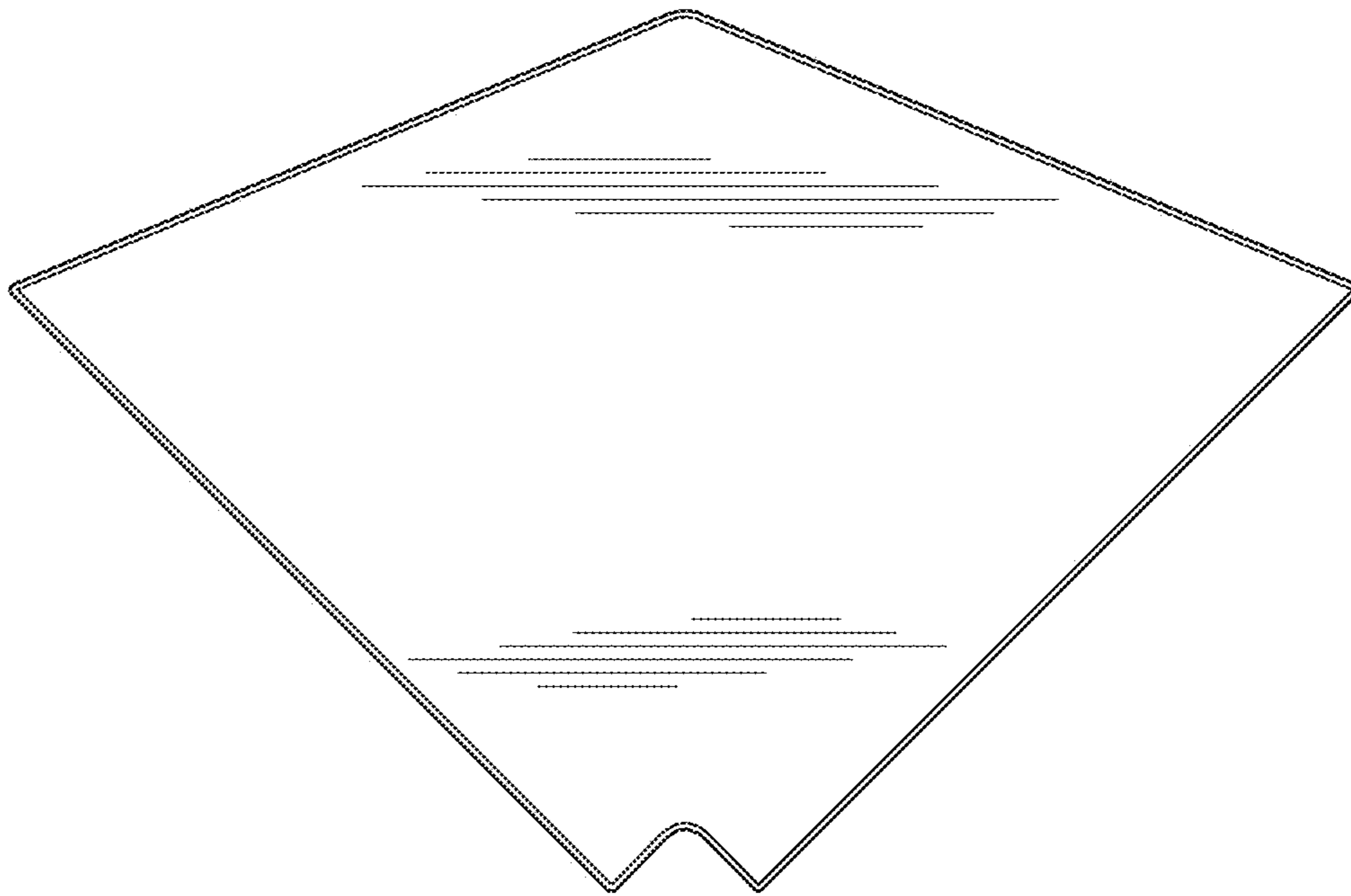


FIG. 9

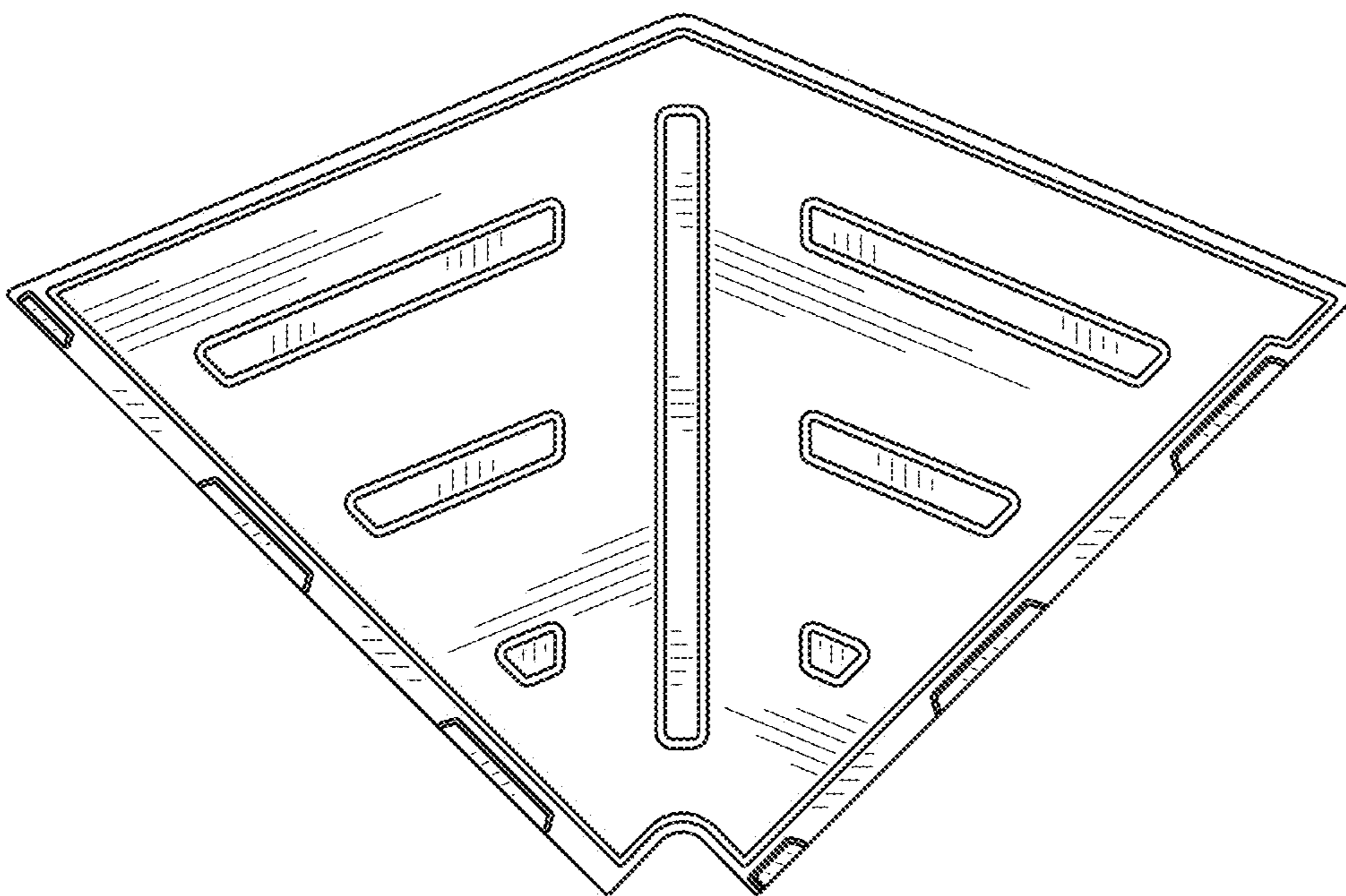


FIG. 10



FIG. 11

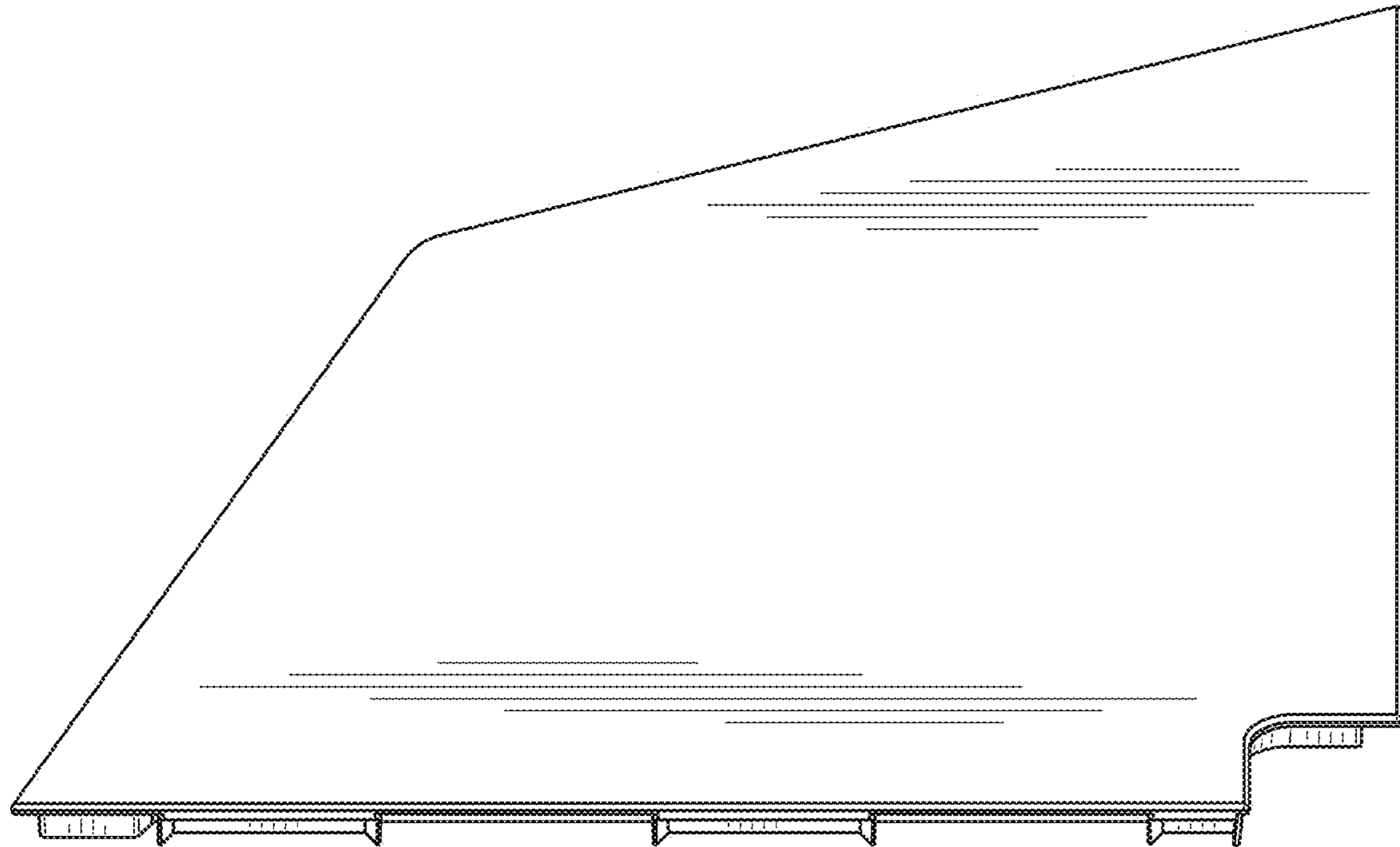


FIG. 12

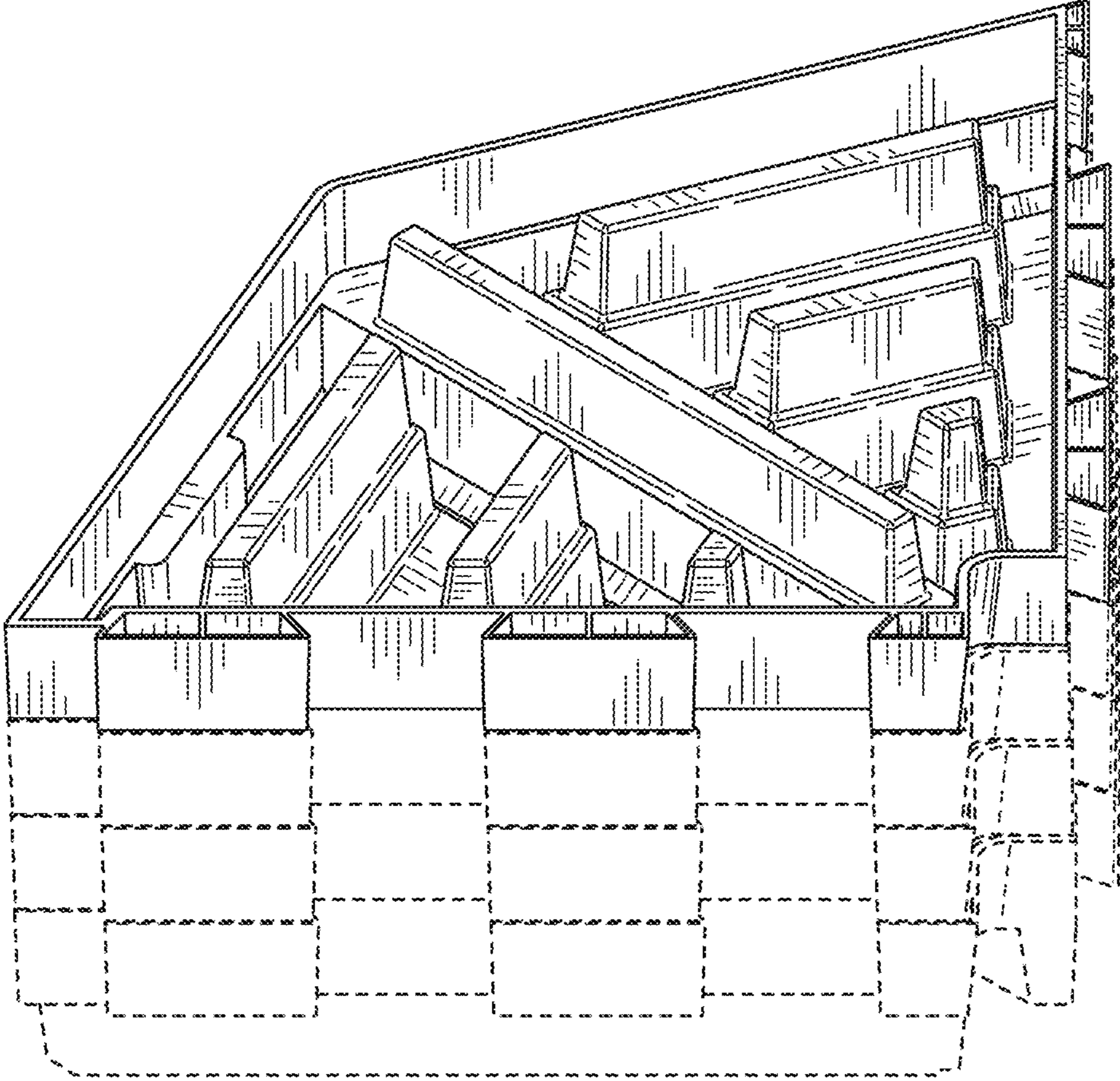


FIG. 13

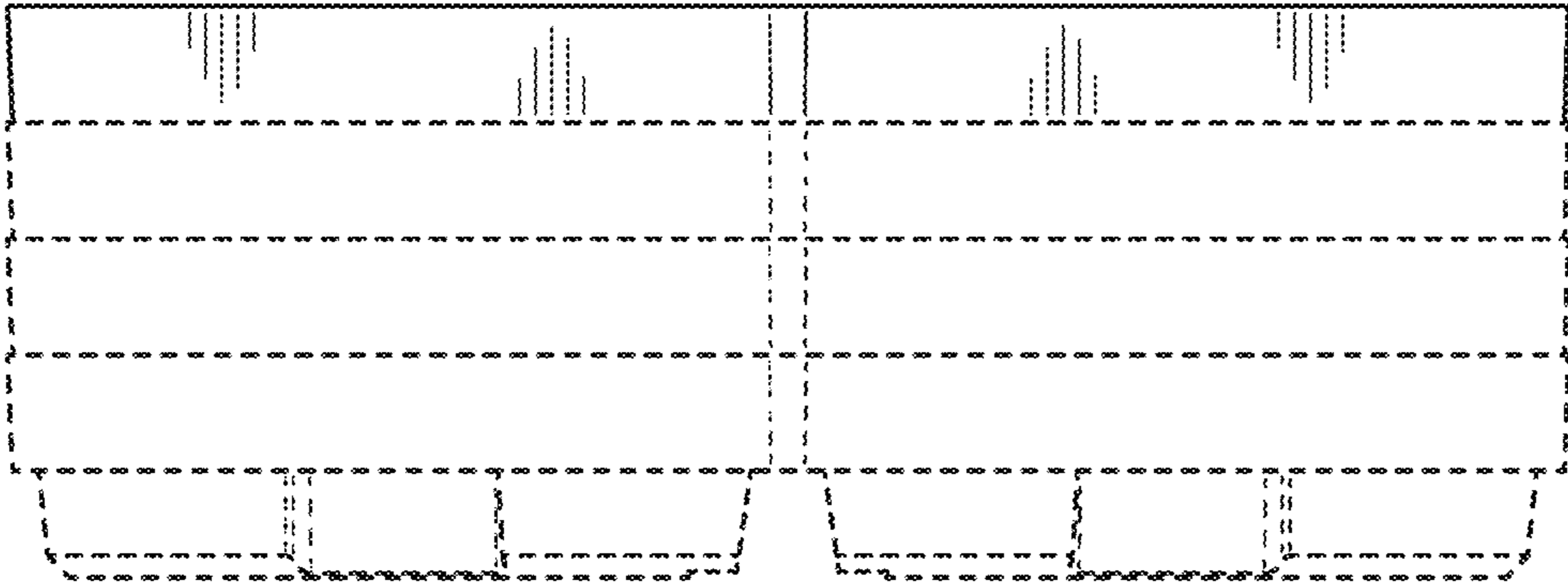


FIG. 14