



US00D972827S

(12) **United States Design Patent**
Neroni

(10) **Patent No.:** **US D972,827 S**

(45) **Date of Patent:** **** Dec. 20, 2022**

(54) **HEEL**

(71) Applicant: **GOLDEN GOOSE S.P.A.**, Milan (IT)

(72) Inventor: **Marco Neroni**, Milan (IT)

(73) Assignee: **GOLDEN GOOSE S.p.A.**, Milan (IT)

(**) Term: **15 Years**

(21) Appl. No.: **35/511,920**

(22) Filed: **May 12, 2021**

(80) **Hague Agreement Data**

Int. Filing Date: **May 12, 2021**

Int. Reg. No.: **DM/214265**

Int. Reg. Date: **May 12, 2021**

Int. Reg. Pub. Date: **May 28, 2021**

(51) **LOC (13) Cl.** **02-04**

(52) **U.S. Cl.**
USPC **D2/965; D2/910**

(58) **Field of Classification Search**
USPC D2/910, 912, 915, 950, 964, 965, 966,
D2/968, 909, 925
See application file for complete search history.

(56) **References Cited**

U.S. PATENT DOCUMENTS

D111,280 S *	9/1938	Elkin	D2/910
D112,337 S *	11/1938	Elkin	D2/966
2,235,256 A *	3/1941	Elliott	A43B 21/24
				D2/964
D195,496 S *	6/1963	Levine	D2/950
D216,663 S *	3/1970	Barbaresi	D2/965
D347,937 S *	6/1994	Garland	D2/966
D495,481 S *	9/2004	Cohen	D2/964
D591,033 S *	4/2009	Patterson	D2/915
D606,730 S *	12/2009	Whittington	D2/910

D635,750 S *	4/2011	Whittington	D2/965
D728,211 S *	5/2015	Kirkwood	D2/965
D743,683 S *	11/2015	Flowers	D2/965
9,491,986 B1 *	11/2016	Dixon	A43B 7/145
D793,056 S *	8/2017	Venturi	D2/965
D813,512 S *	3/2018	Badrian	D2/968
D840,655 S *	2/2019	Castillo	D2/965
D853,102 S *	7/2019	Castillo	D2/964
D914,344 S *	3/2021	Andrew	D2/965

* cited by examiner

Primary Examiner — Jennifer L Watkins

(74) *Attorney, Agent, or Firm* — Thomas | Horstemeyer, LLP

(57) **CLAIM**

The ornamental design for a heel, as shown and described.

DESCRIPTION

1.1 is a right perspective view of a heel, showing my new design;

1.2 is a left perspective view thereof;

1.3 is a right view thereof;

1.4 is a left view thereof;

1.5 is a front view thereof;

1.6 is rear view thereof;

1.7 is a top view thereof;

1.8 is a bottom view thereof;

2.1 is a left perspective view of a second embodiment of the heel of view **1.1**, showing my new design;

2.2 is a left view thereof;

2.3 is a right view thereof;

2.4 is a rear view thereof;

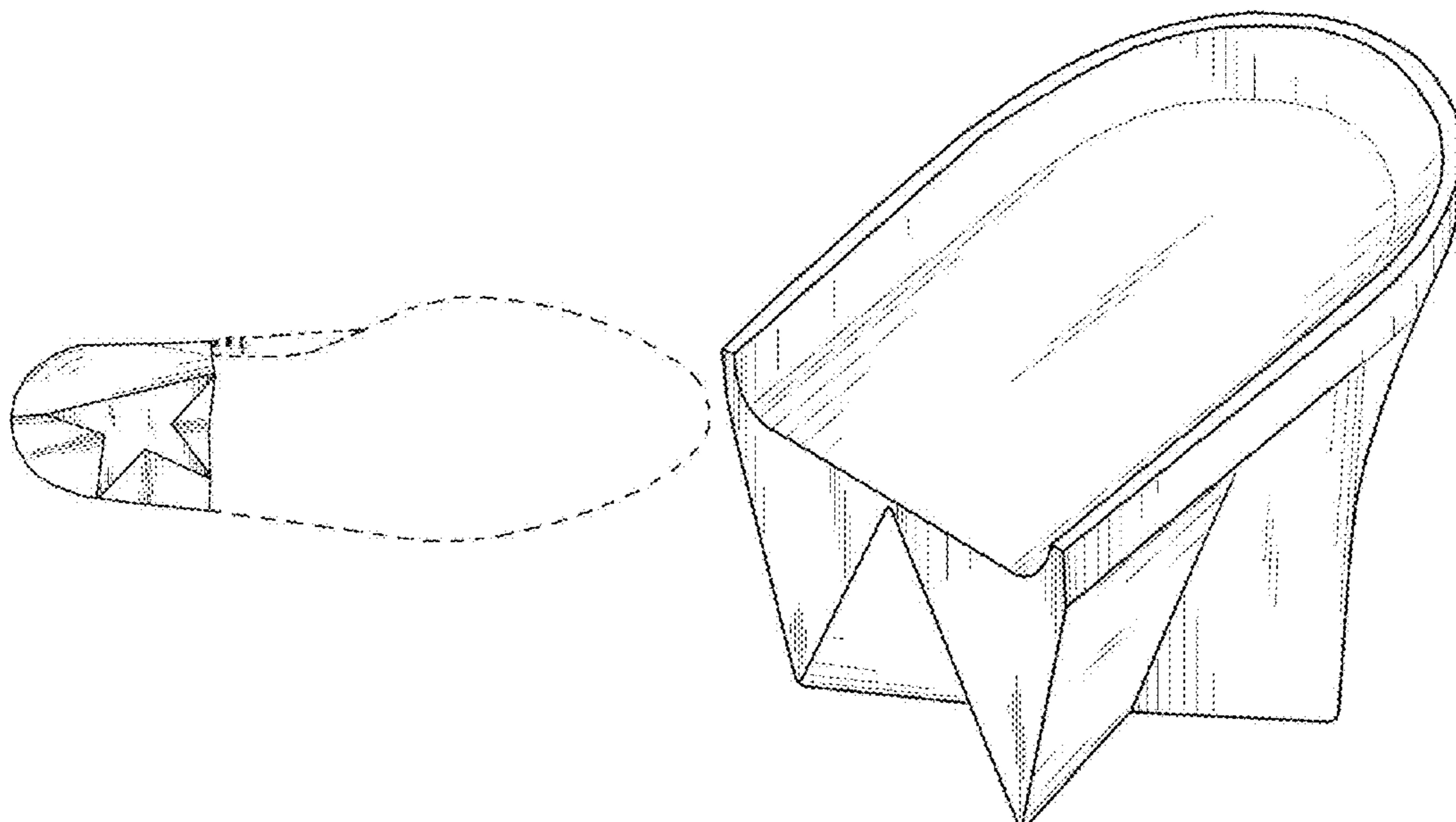
2.5 is a front view thereof;

2.6 is top view thereof; and

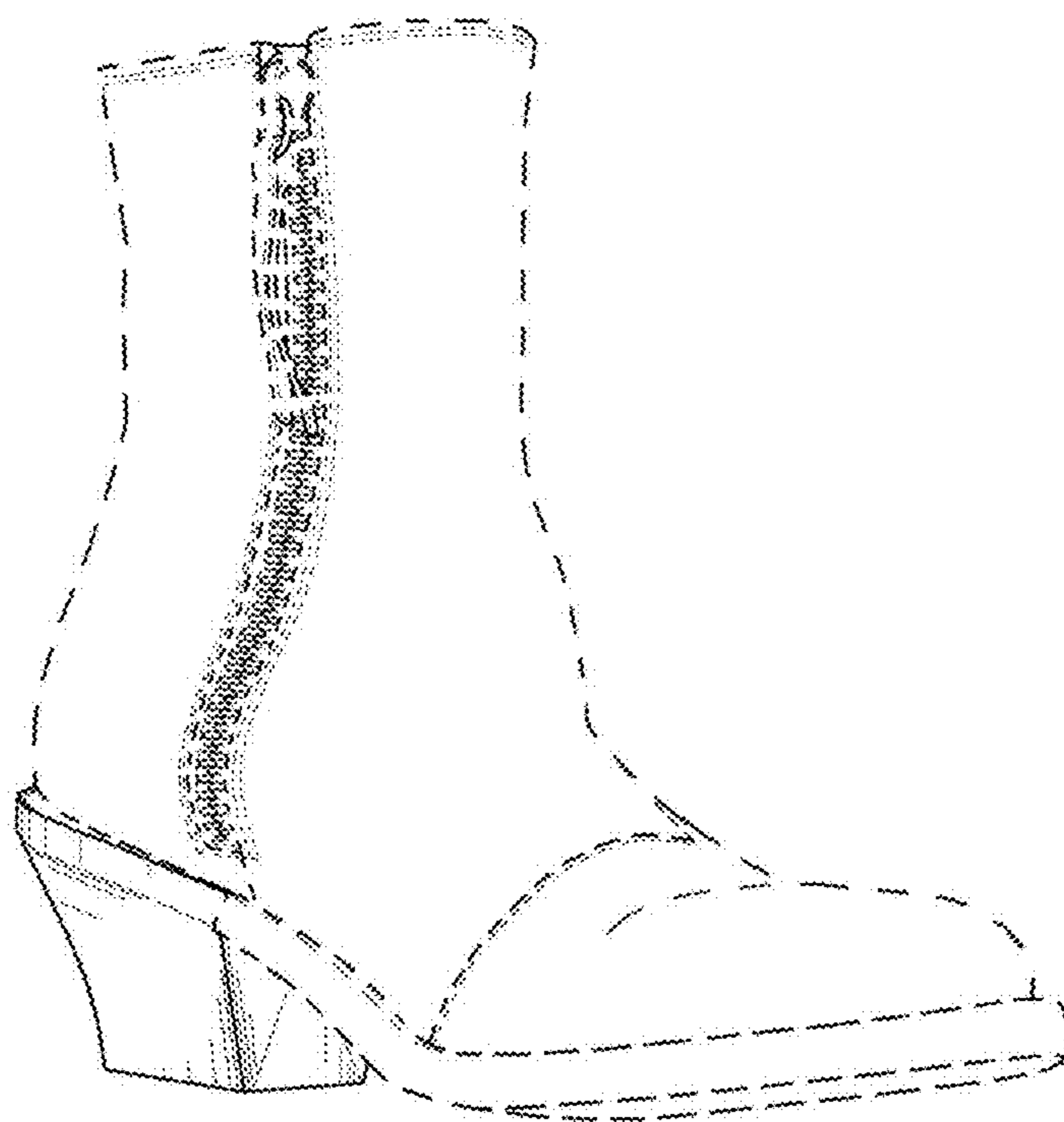
2.7 is a bottom view thereof.

The broken lines in the drawings showing a boot depict exemplary environment and form no part of the claim.

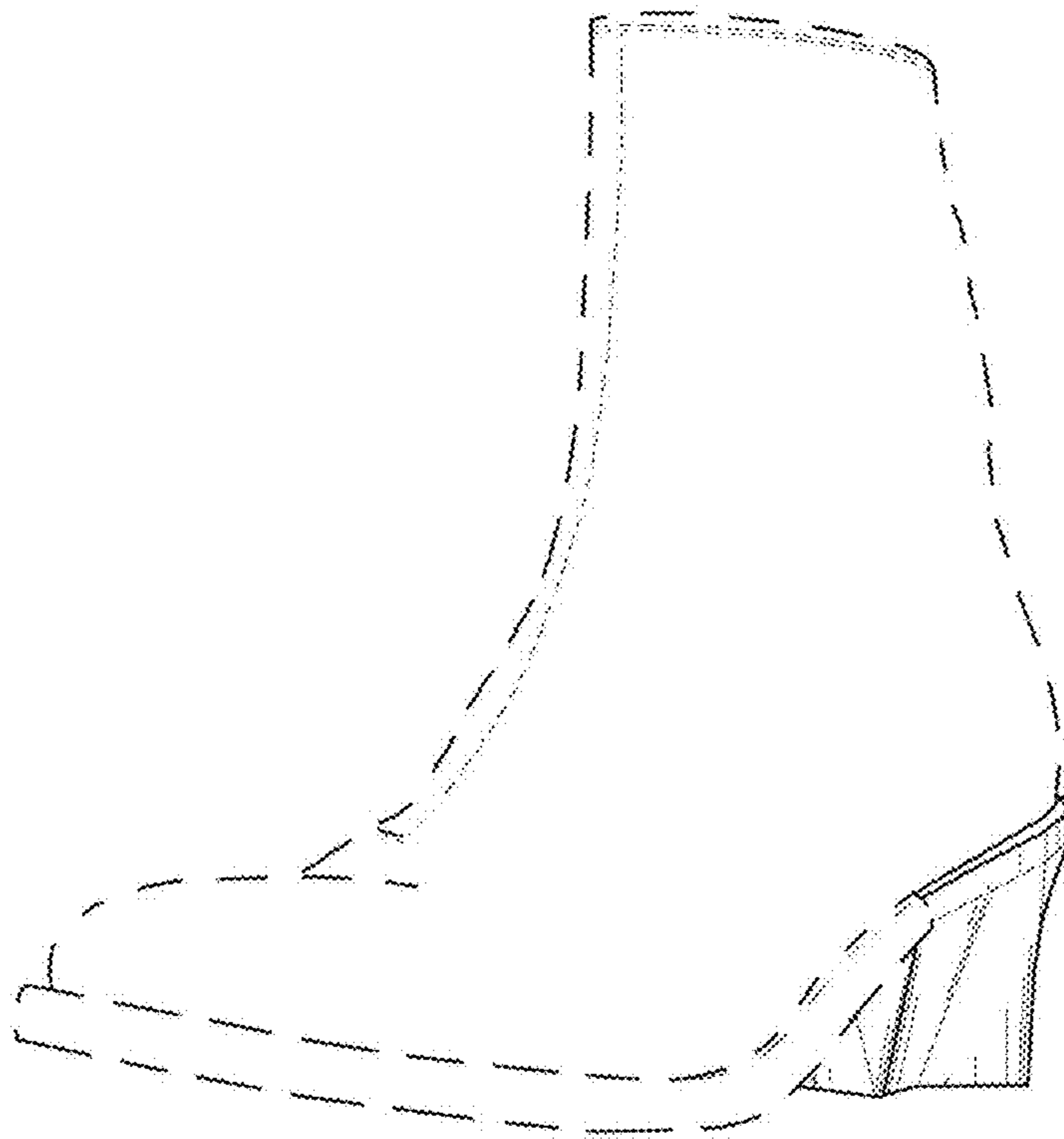
1 Claim, 15 Drawing Sheets



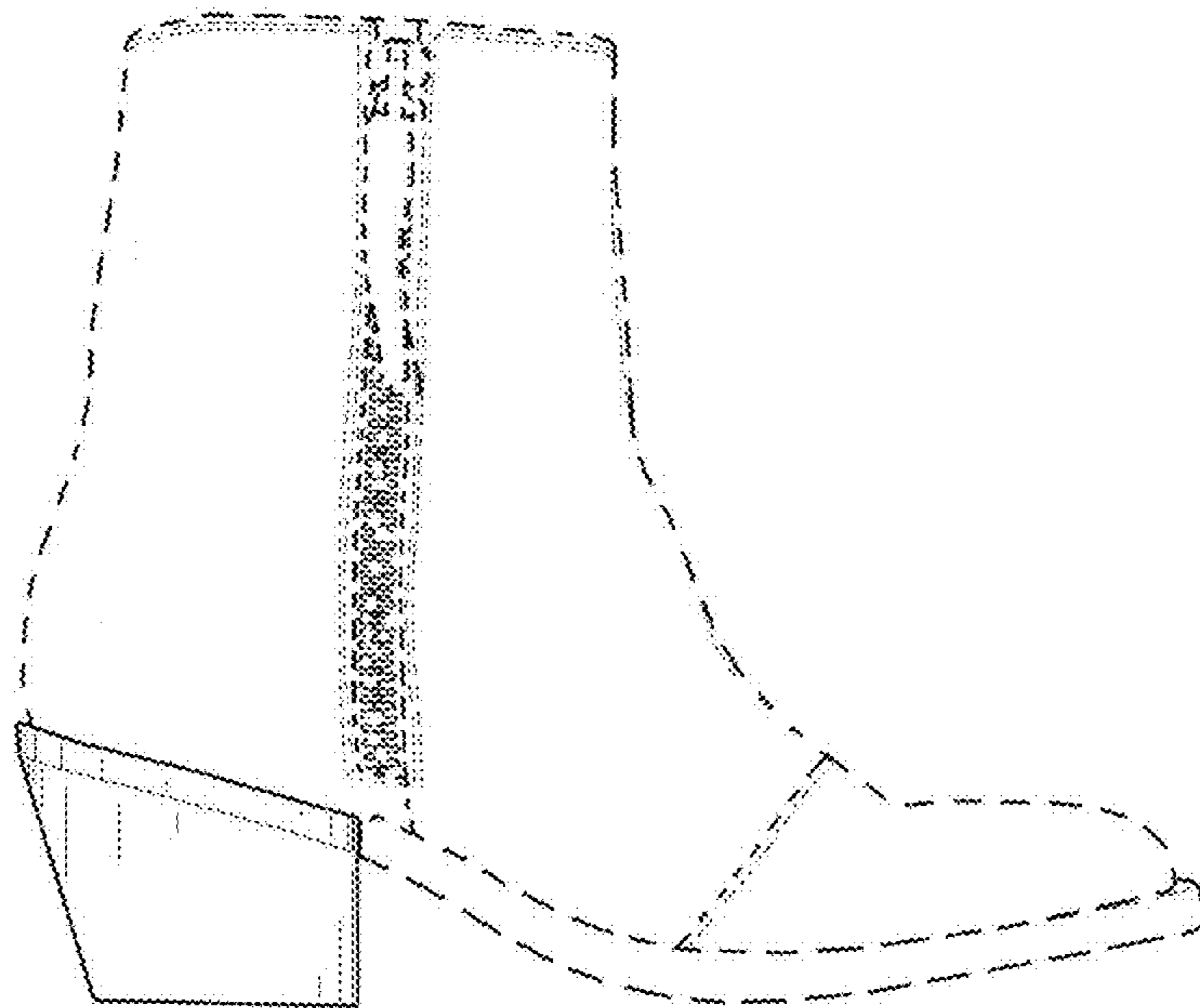
1.1



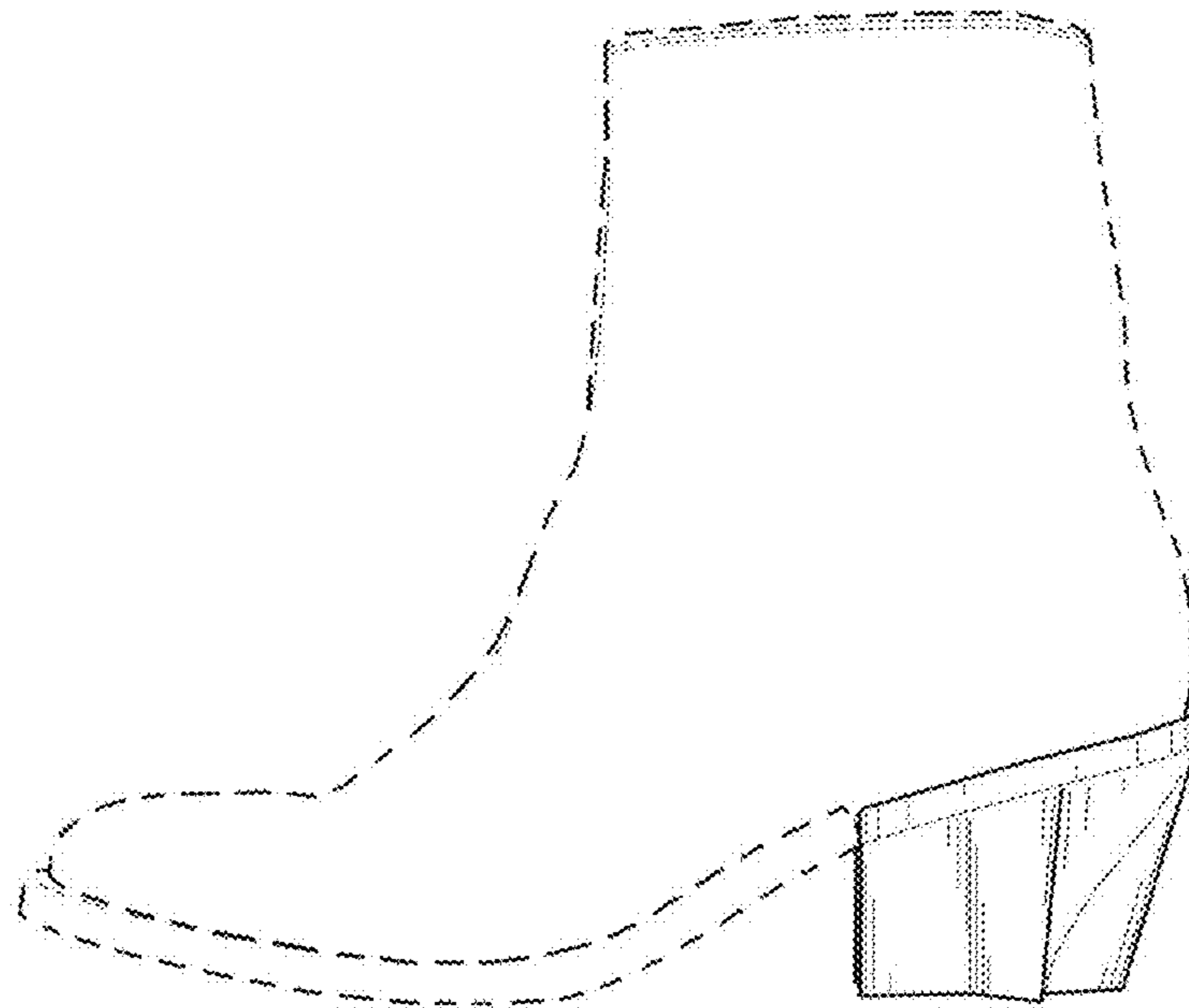
1.2



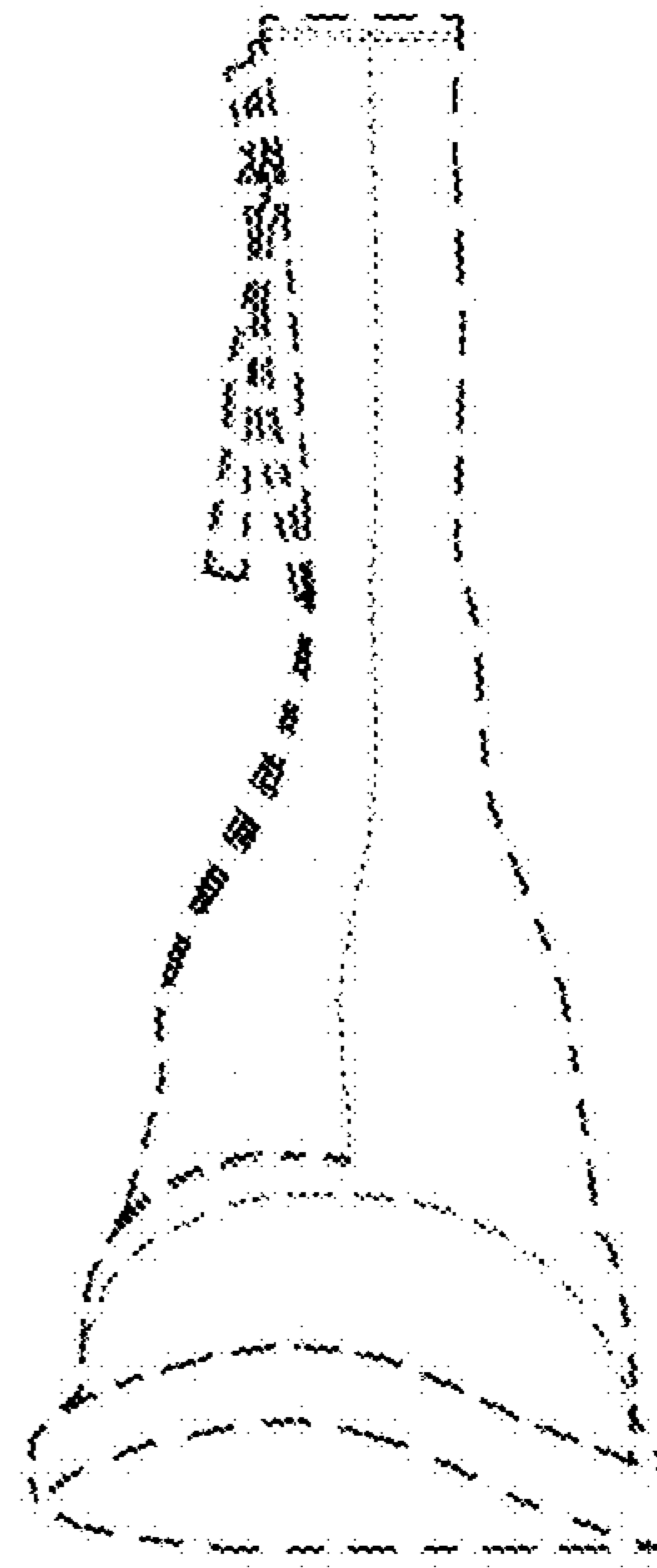
1.3



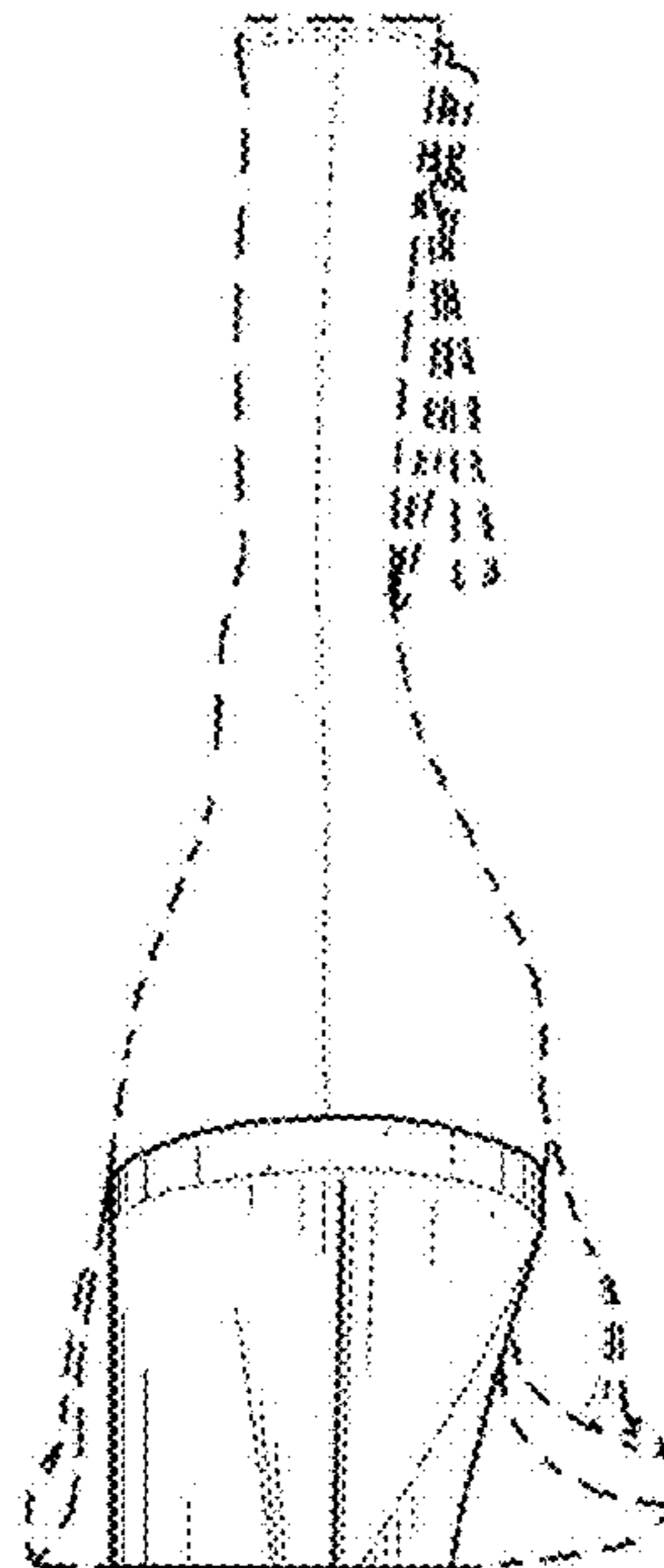
1.4



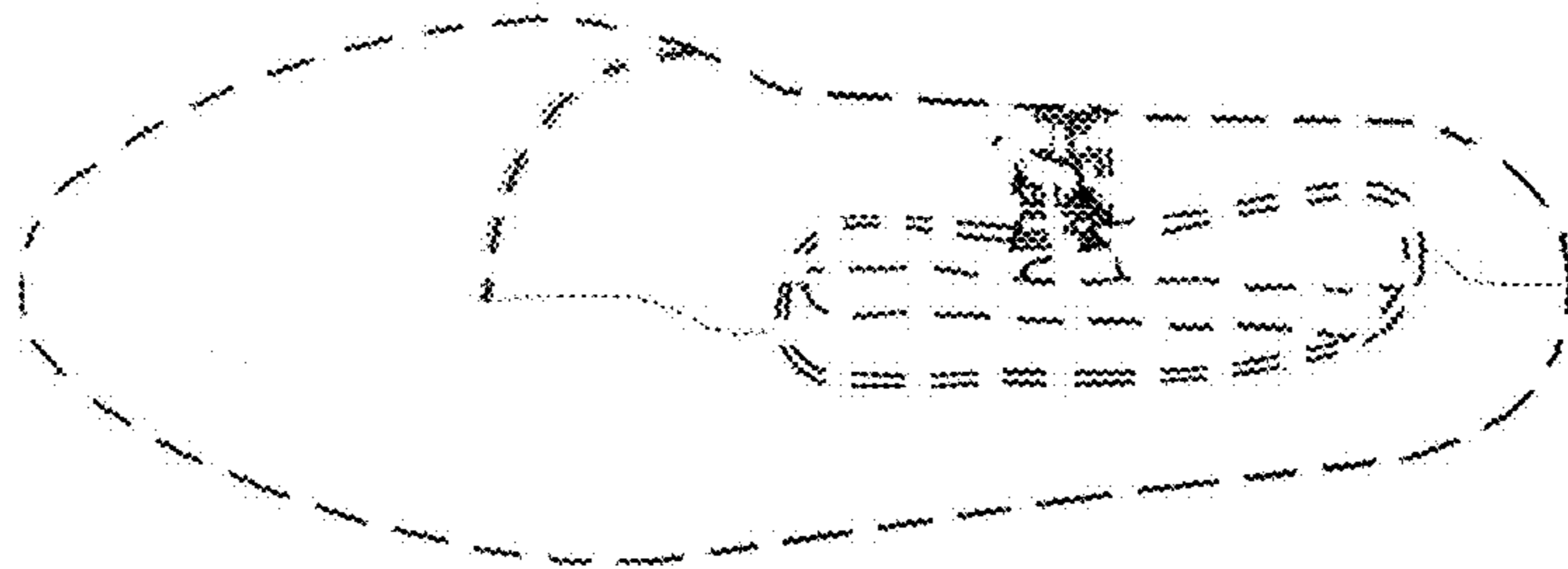
1.5



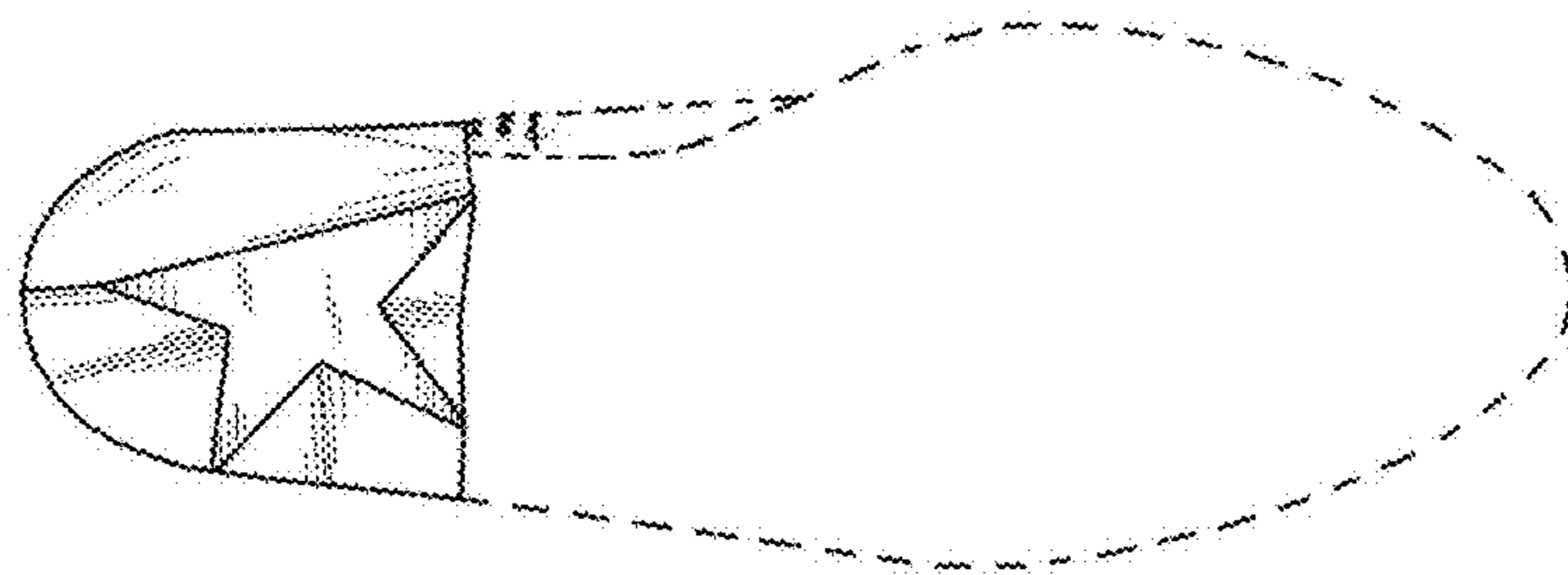
1.6



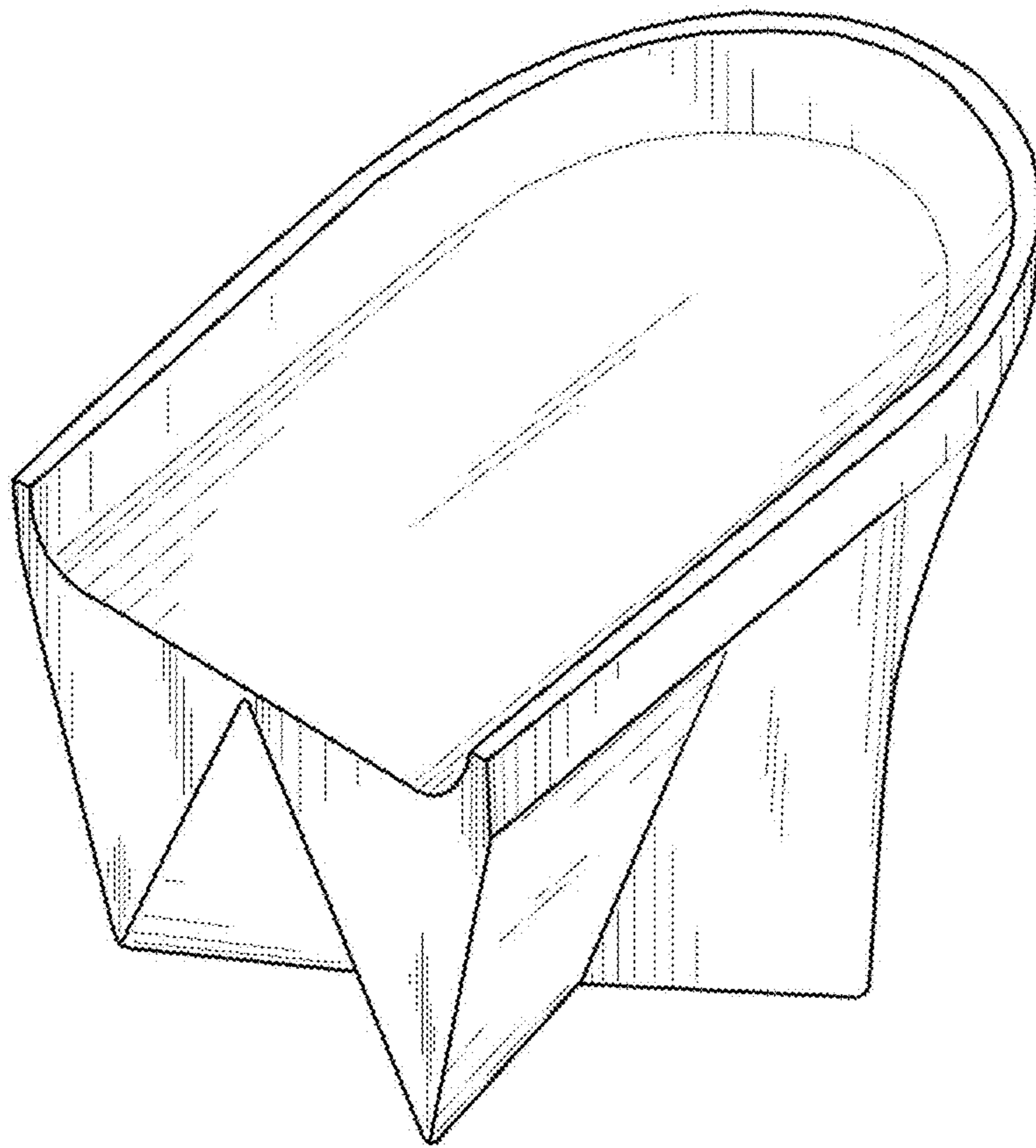
1.7



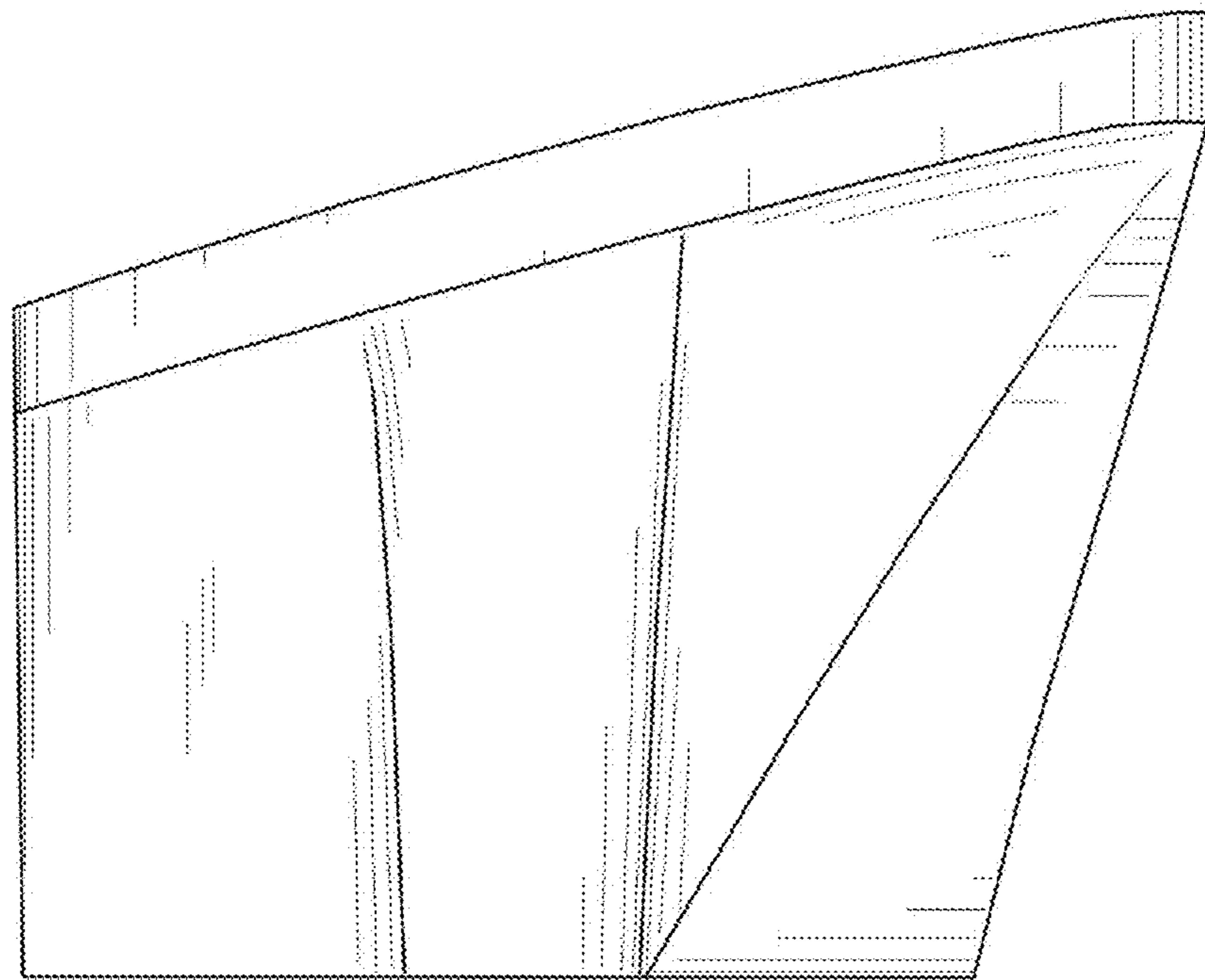
1.8



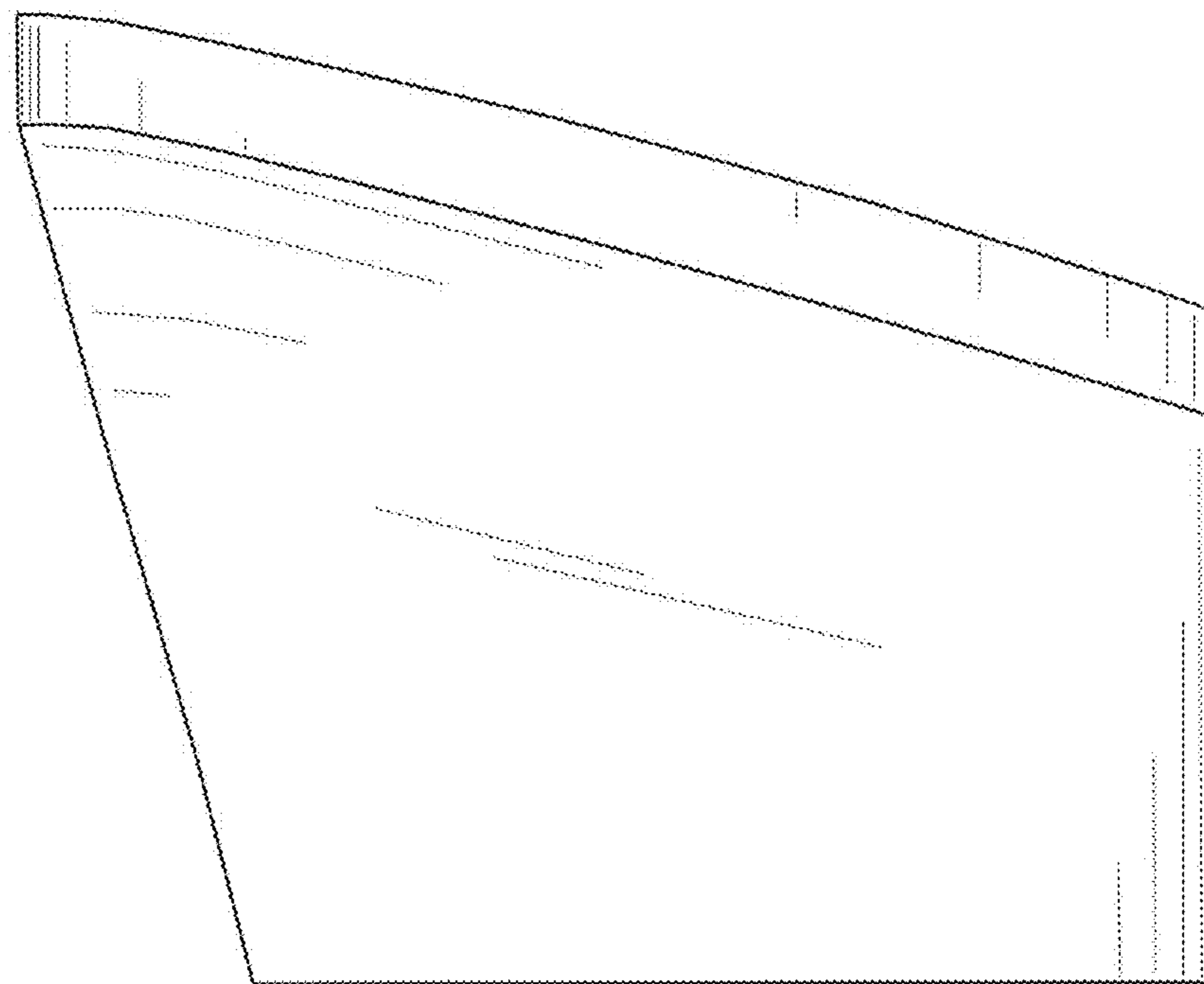
2.1



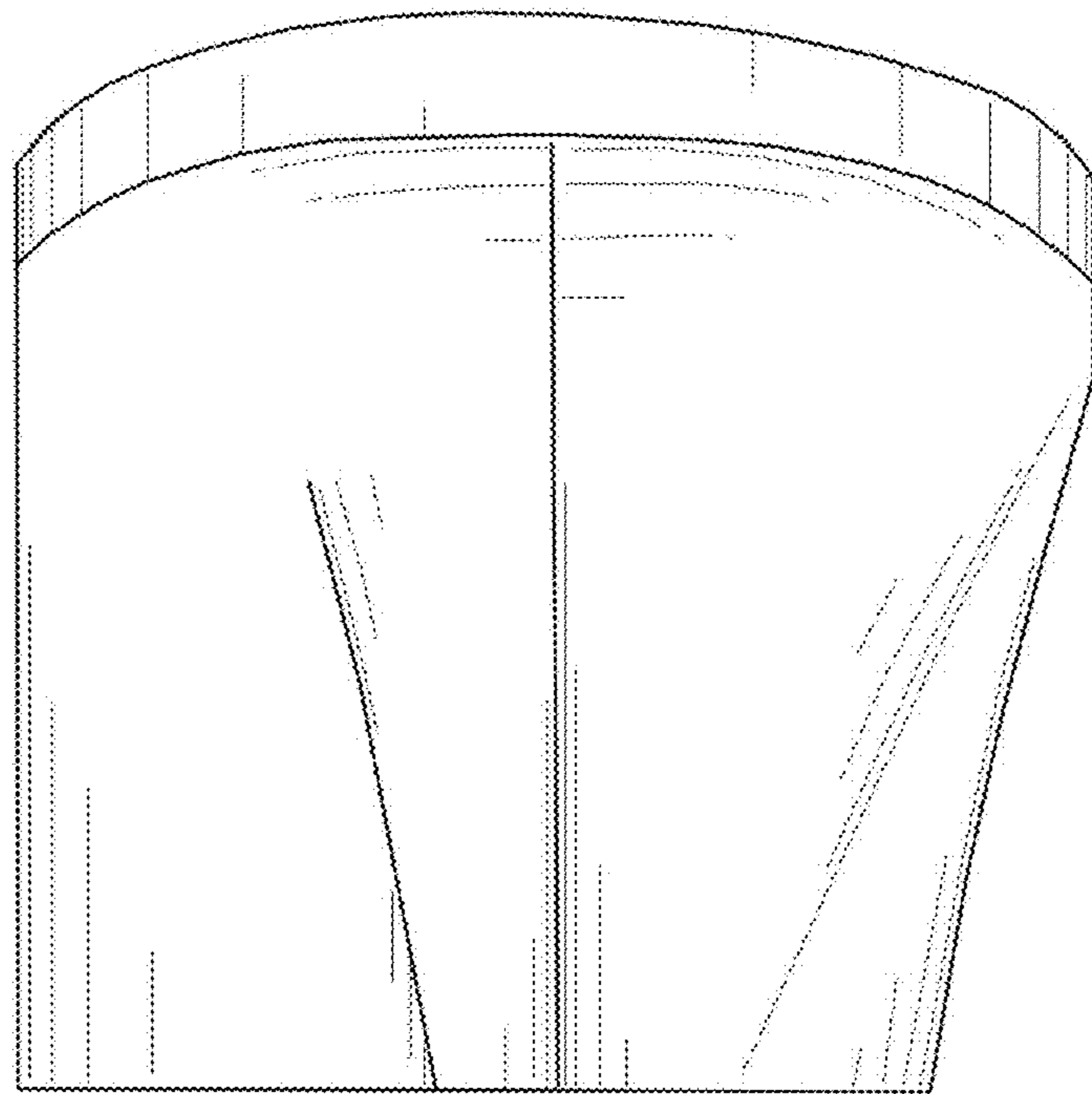
2.2



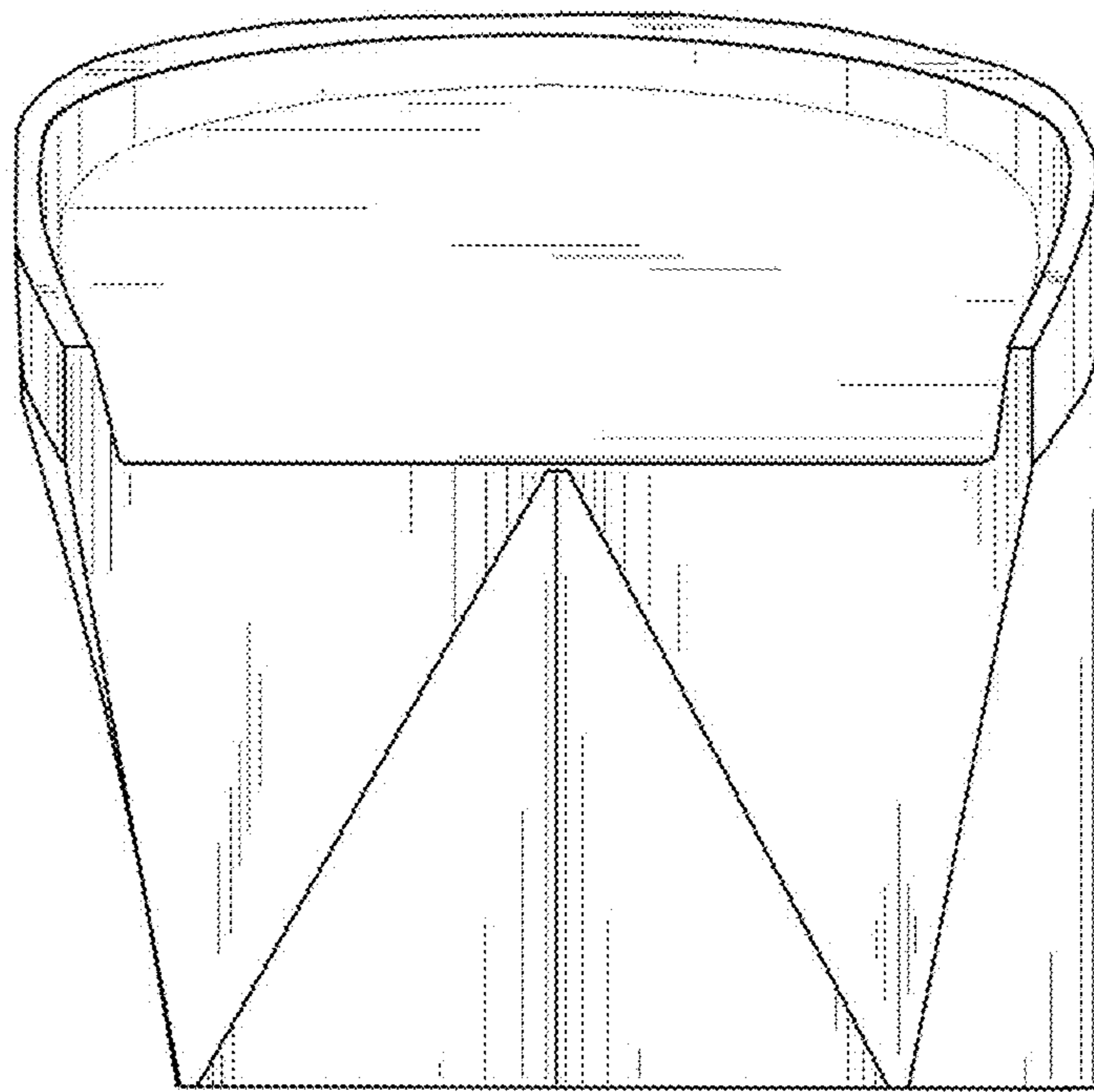
2.3



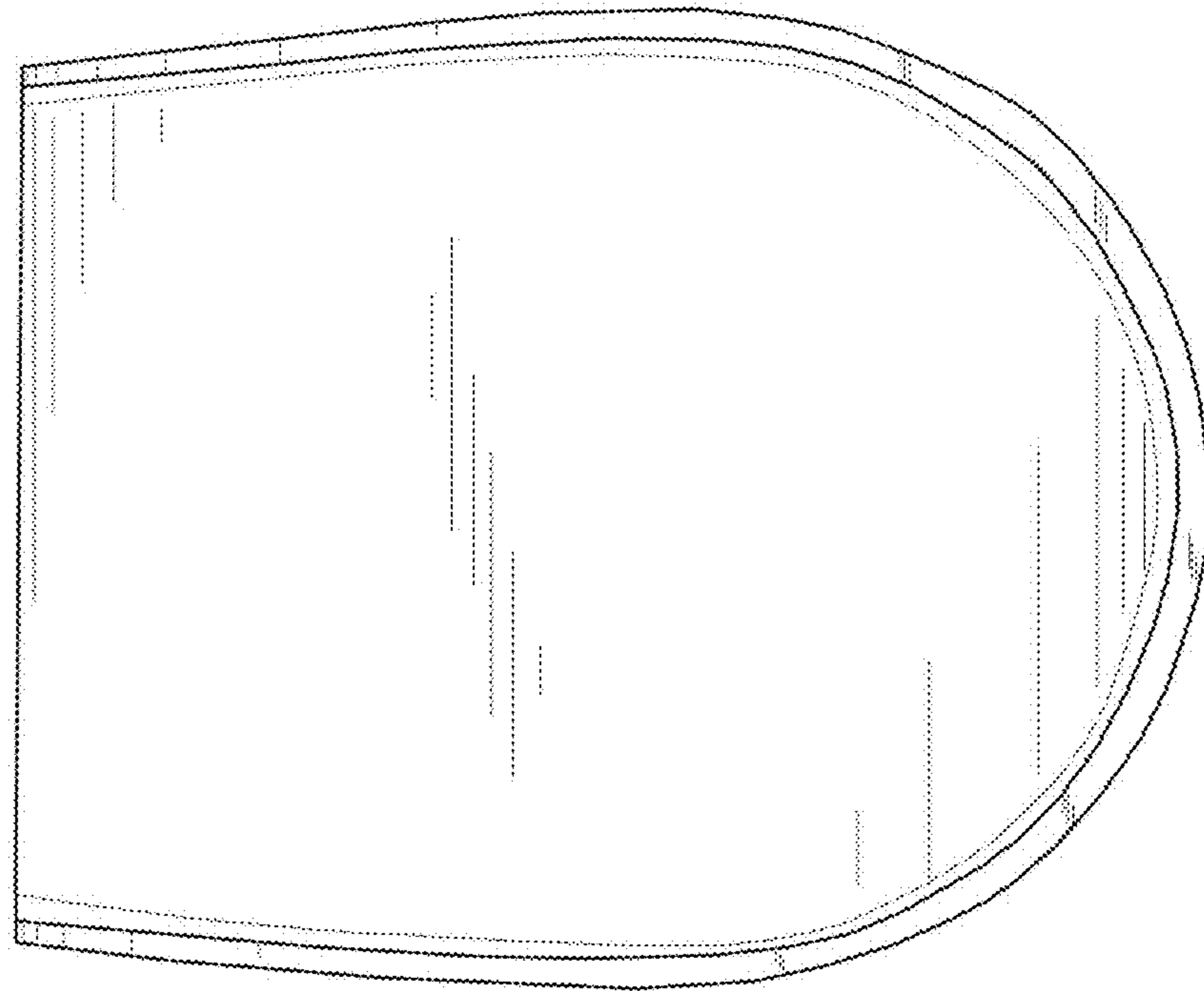
2.4



2.5



2.6



2.7

