



US00D972826S

(12) **United States Design Patent** (10) **Patent No.:** **US D972,826 S**
Qin et al. (45) **Date of Patent:** **** Dec. 20, 2022**

(54) **INSOLE**
(71) Applicants: **Zhuangli Qin**, Xiaogan (CN);
Zhengjun Lv, Yichang (CN)
(72) Inventors: **Zhuangli Qin**, Xiaogan (CN);
Zhengjun Lv, Yichang (CN)
(**) Term: **15 Years**
(21) Appl. No.: **29/752,781**
(22) Filed: **Sep. 29, 2020**
(51) **LOC (13) Cl.** **02-04**
(52) **U.S. Cl.**
USPC **D2/961**
(58) **Field of Classification Search**
USPC D2/915, 946, 947, 949, 951, 954, 961,
D2/968, 976
CPC A43B 17/00; A43B 17/003; A43B 17/006;
A43B 17/02; A43B 17/023; A43B 17/03;
A43B 17/08; A43B 17/14; A43B 13/00;
A43B 13/02; A43B 13/04; A43B 13/12;
A43B 13/14; A43B 13/16; A43B 13/20;
A43B 13/24; A43B 13/38; A43B 13/40;
A43B 13/41; A43B 7/14; A43B 7/16;
A43B 7/144
See application file for complete search history.

D721,882 S * 2/2015 Vasyli D2/961
D722,756 S * 2/2015 Vasyli D2/961
D723,256 S * 3/2015 Vasyli D2/961
D743,681 S * 11/2015 Wakeland D2/961
D762,367 S * 8/2016 Granger D2/961
D804,794 S * 12/2017 Charlesworth D2/961
D809,260 S * 2/2018 McClaskey D2/961
D819,947 S * 6/2018 Bewza D2/961
D827,270 S * 9/2018 Yang D2/961
D827,998 S * 9/2018 Buck D2/961
10,251,443 B2 * 4/2019 Liu A43B 17/14
10,485,299 B2 * 11/2019 Granger A43B 7/1445
D949,539 S * 4/2022 Lalo D2/961
2004/0025376 A1 * 2/2004 Grisoni A43B 7/223
36/44

OTHER PUBLICATIONS

Superfeet blue orthotic insole, announced Dec. 4, 2007 [online],
[site visited Jan. 25, 2022]. Available from internet, URL: <https://www.amazon.com/dp/B0011Y9Y4W/> (Year: 2007).*

(Continued)

Primary Examiner — Leanne Was-Englehart
Assistant Examiner — Yelizaveta Y Masalimova
(74) *Attorney, Agent, or Firm* — Rमित Ranjit Kanakia

(57) **CLAIM**

The ornamental design for an insole, as shown and described.

DESCRIPTION

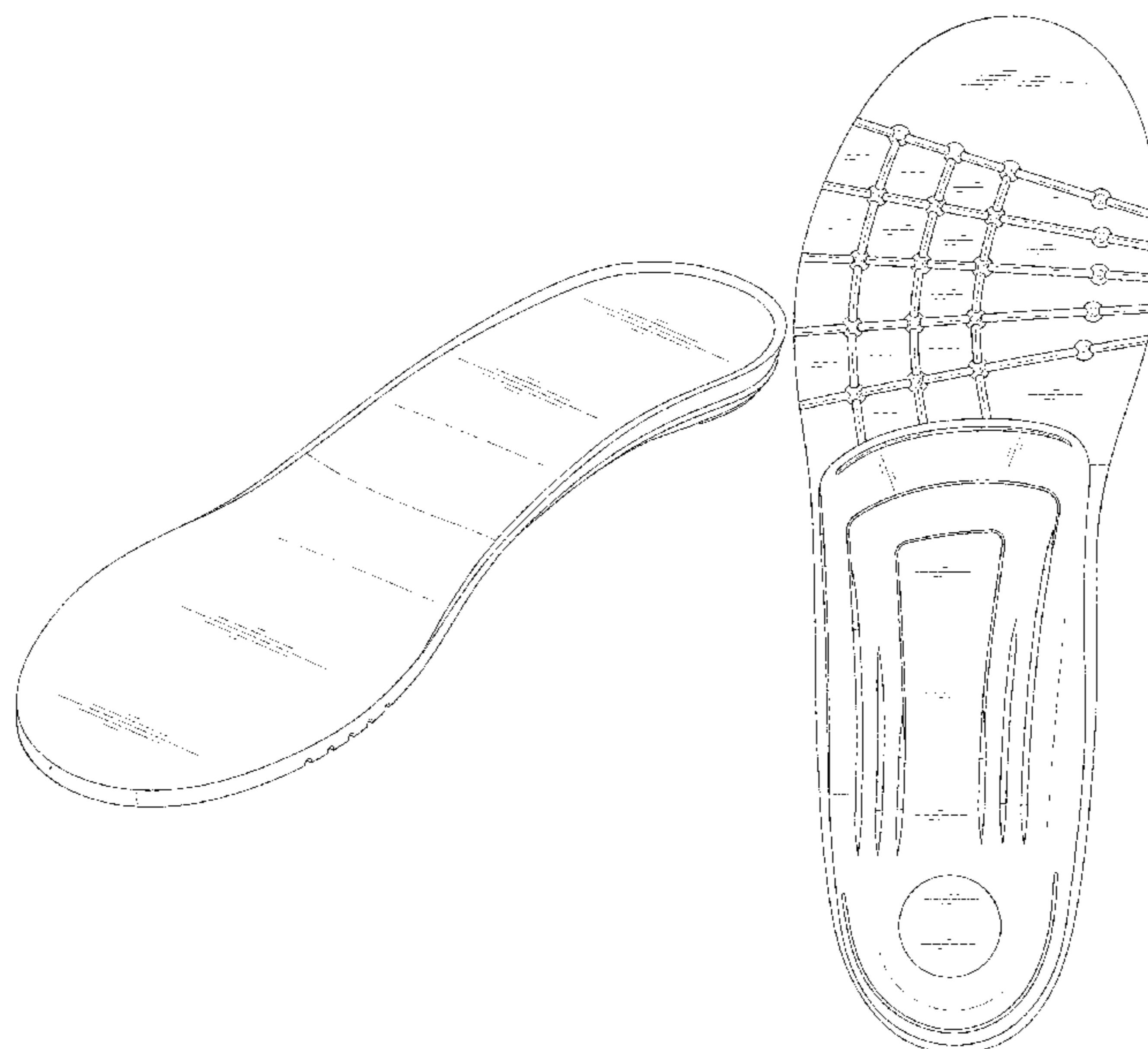
FIG. 1 is a perspective view of an insole showing our new design;
FIG. 2 is a front view thereof;
FIG. 3 is a back view thereof;
FIG. 4 is a right side view thereof;
FIG. 5 is a left side view thereof;
FIG. 6 is a top view thereof; and,
FIG. 7 is a bottom view thereof.

1 Claim, 6 Drawing Sheets

(56) **References Cited**

U.S. PATENT DOCUMENTS

D328,967 S * 9/1992 Brown D2/961
D332,003 S * 12/1992 Brown D2/961
5,394,626 A * 3/1995 Brown A43B 7/141
36/173
D489,521 S * 5/2004 Bacon D2/961
D498,043 S * 11/2004 Walker D2/961
D533,336 S * 12/2006 Walker D2/961
D695,001 S * 12/2013 Feldman D2/961
D712,129 S * 9/2014 Wakeland D2/961



(56)

References Cited

OTHER PUBLICATIONS

Sof Sole Insoles women's plantar fascia support, announced Sep. 30, 2020 [online], [site visited Jan. 25, 2022]. Available from internet, URL: <https://www.amazon.com/Sof-Sole-Womens-Size-Green/dp/B08J7S5GWC> (Year: 2020).*

* cited by examiner

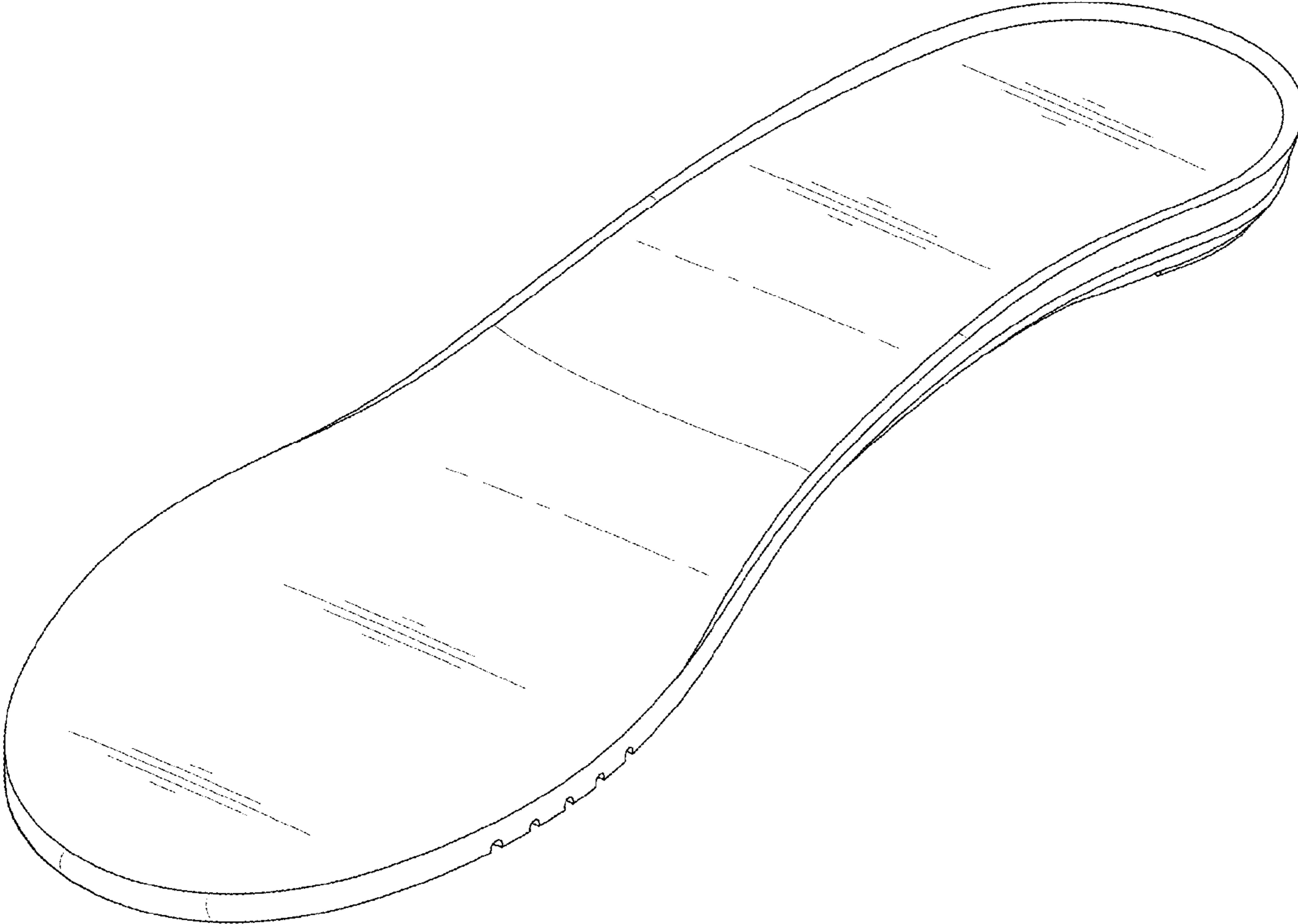


FIG. 1

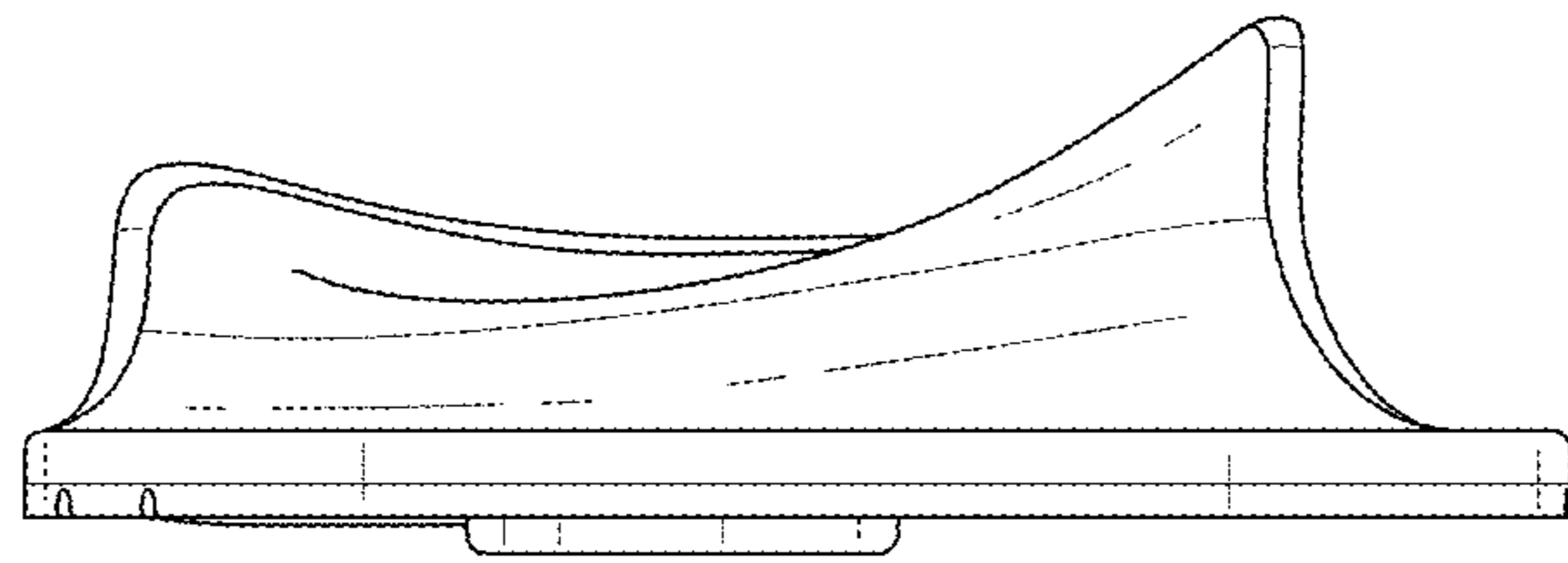


FIG. 2

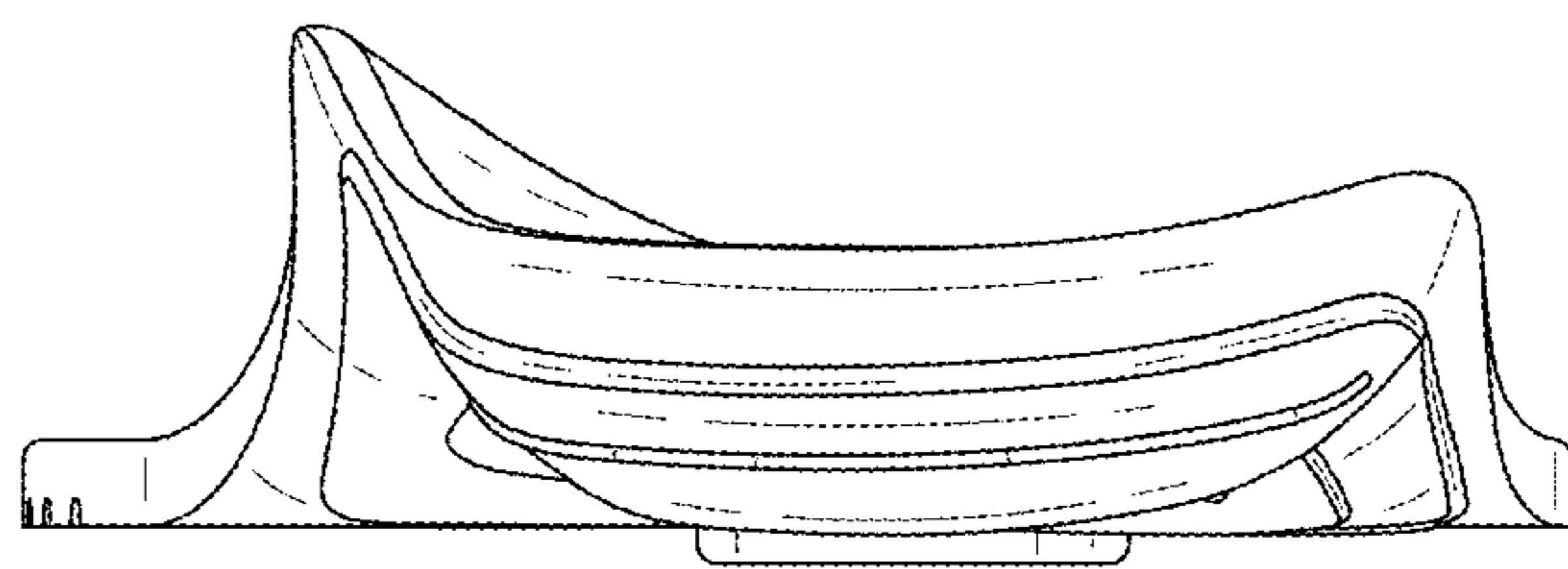


FIG. 3

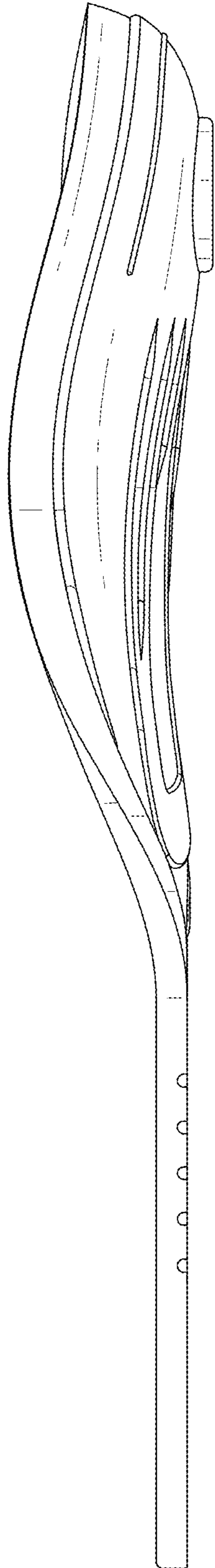


FIG. 4

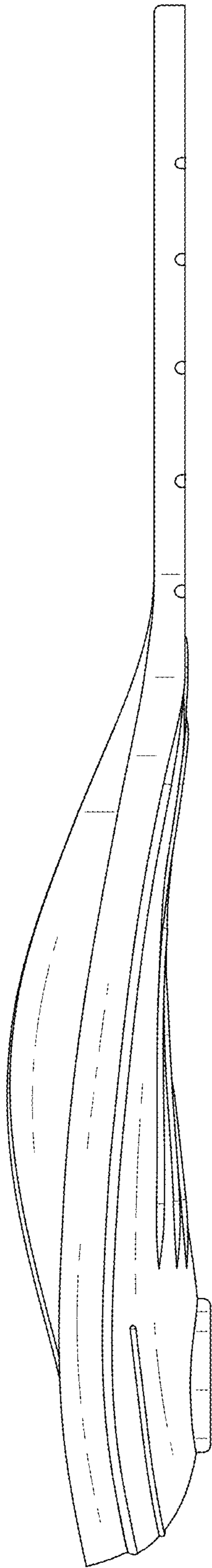


FIG. 5

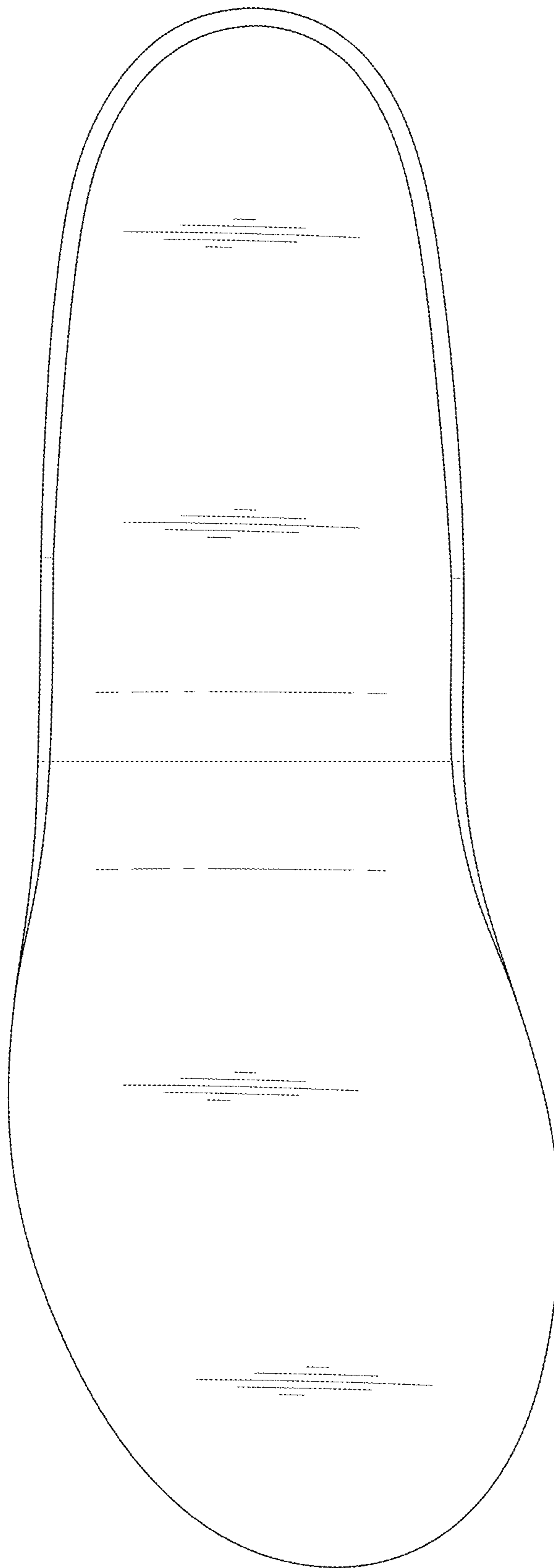


FIG. 6

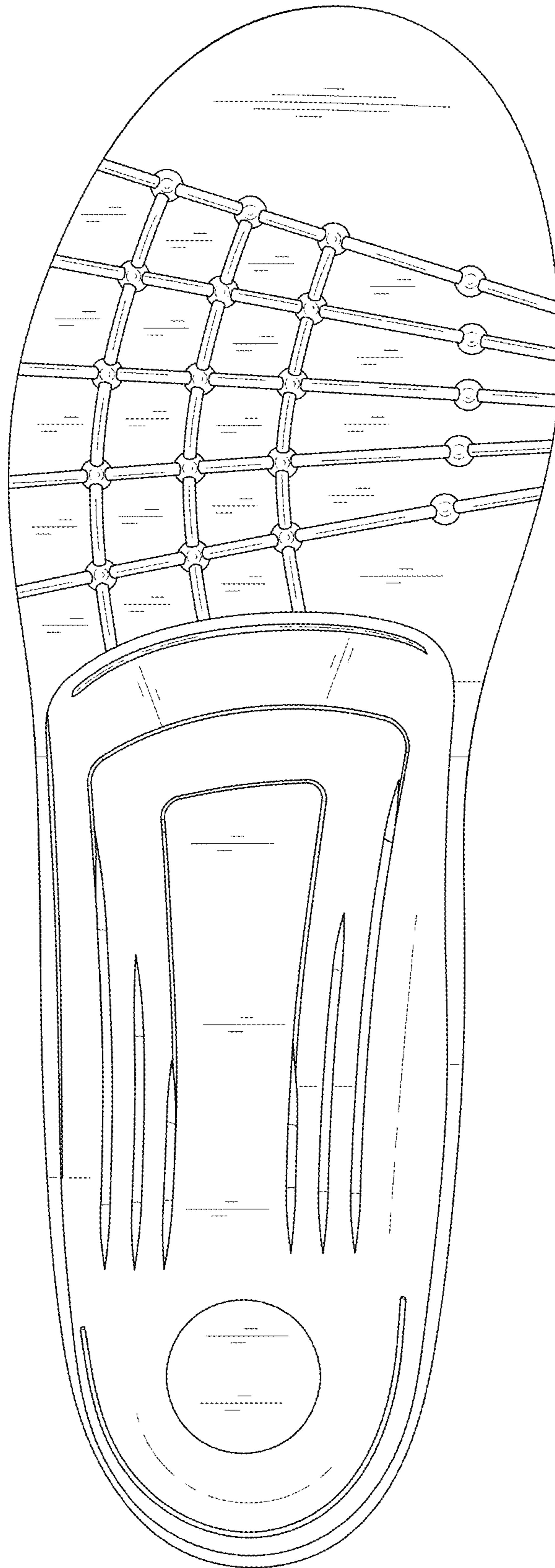


FIG. 7