



US00D972816S

(12) **United States Design Patent**
Bass

(10) **Patent No.:** **US D972,816 S**

(45) **Date of Patent:** **** Dec. 20, 2022**

(54) **CAP WITH PATCH HOLDERS**

(71) Applicant: **Kevin O. Bass**, Little Rock, AR (US)

(72) Inventor: **Kevin O. Bass**, Little Rock, AR (US)

(**) Term: **15 Years**

(21) Appl. No.: **29/759,793**

(22) Filed: **Nov. 25, 2020**

(51) **LOC (13) Cl.** **02-03**

(52) **U.S. Cl.**
USPC **D2/882**; D2/866

(58) **Field of Classification Search**
USPC D2/865, 866, 869, 870, 871, 872, 873,
D2/874, 875, 876, 877, 878, 879, 880,
D2/881, 882, 883, 884, 885, 886, 887,
D2/888, 889, 890, 891, 892, 893, 894,
D2/895
CPC .. A42B 1/00; A42B 1/004; A42B 1/02; A42B
1/06; A42B 1/206; A42B 1/24; A42B
1/242; A42B 1/245; A42B 1/247; A42B
1/248; A42C 5/00
See application file for complete search history.

(56) **References Cited**

U.S. PATENT DOCUMENTS

- 3,085,252 A * 4/1963 Smith A42B 1/0181
2/209.7
- 5,070,545 A * 12/1991 Tapia A42B 1/248
40/329
- 6,675,393 B1 * 1/2004 Park A61F 9/045
2/195.2
- D543,014 S * 5/2007 Sharpe D2/884
- D619,336 S * 7/2010 Eyl D2/866

- D748,379 S * 2/2016 Fitzpatrick D2/882
- D811,056 S * 2/2018 Zenoff D2/882
- D901,844 S * 11/2020 McGuinness D2/882
- 11,071,343 B2 * 7/2021 Trinidad A42B 1/248
- 2007/0186327 A1 * 8/2007 Hall A44B 18/00
2/69
- 2021/0177080 A1 * 6/2021 White A42B 1/248

* cited by examiner

Primary Examiner — Jasmine Mlinarcik

(74) *Attorney, Agent, or Firm* — Wright Lindsey
Jennings, LLP; Meredith Lowry

(57) **CLAIM**

The ornamental design for a cap with patch holders, as shown and described.

DESCRIPTION

FIG. 1 is a front perspective view of a cap with patch holders.
 FIG. 2 is a front view thereof.
 FIG. 3 is right-side view thereof.
 FIG. 4 is a left-side view thereof.
 FIG. 5 is a top view thereof.
 FIG. 6 is a back view thereof; and,
 FIG. 7 is a bottom view thereof.

The broken lines depict portions of the article that form no part of the claimed design. The zig-zag lines in FIGS. 1-6 represent fastening material, such as hook-and-loop material, on the claimed design and is not intended to indicate an ornamental surface pattern.

1 Claim, 7 Drawing Sheets

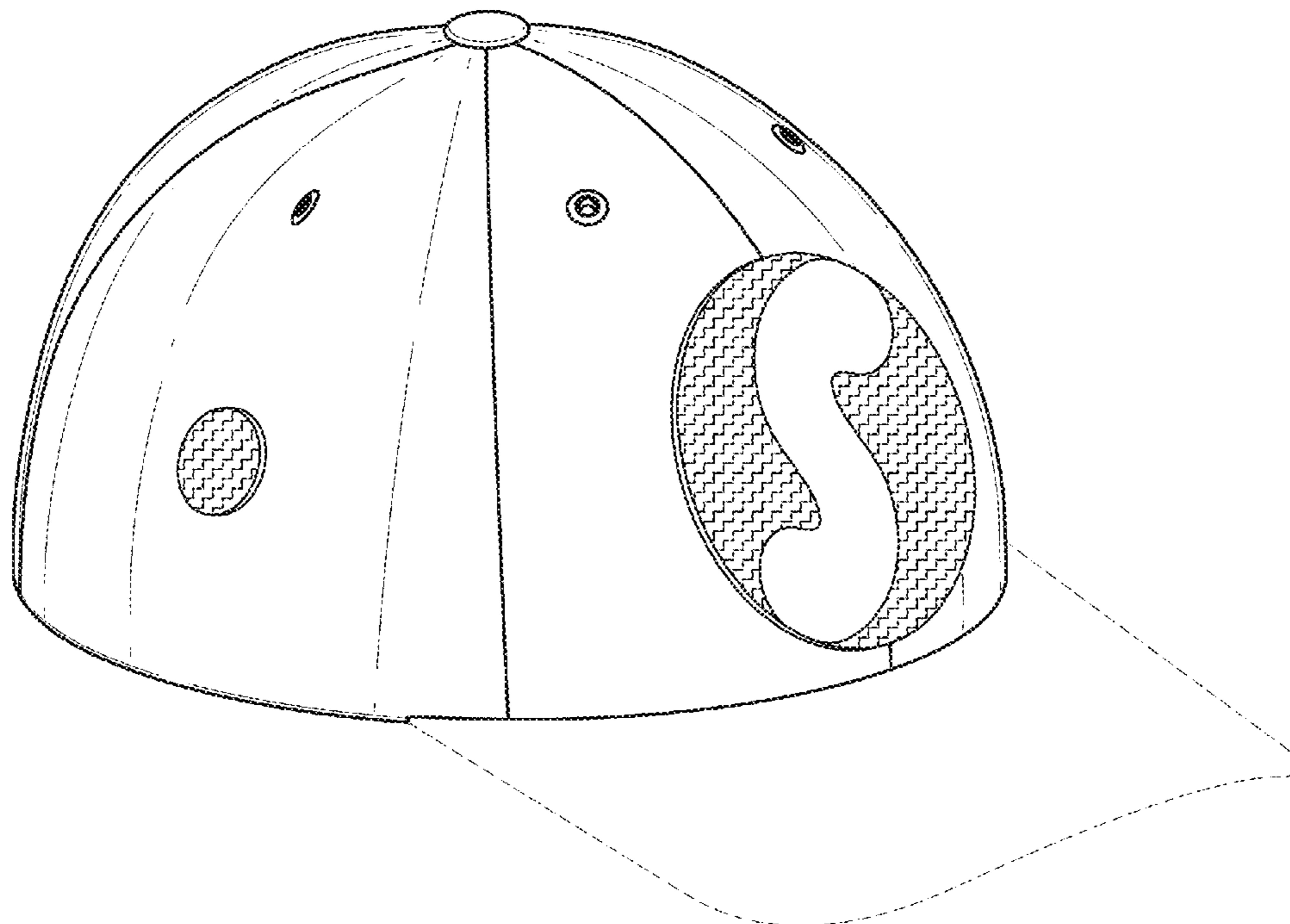


FIG. 1

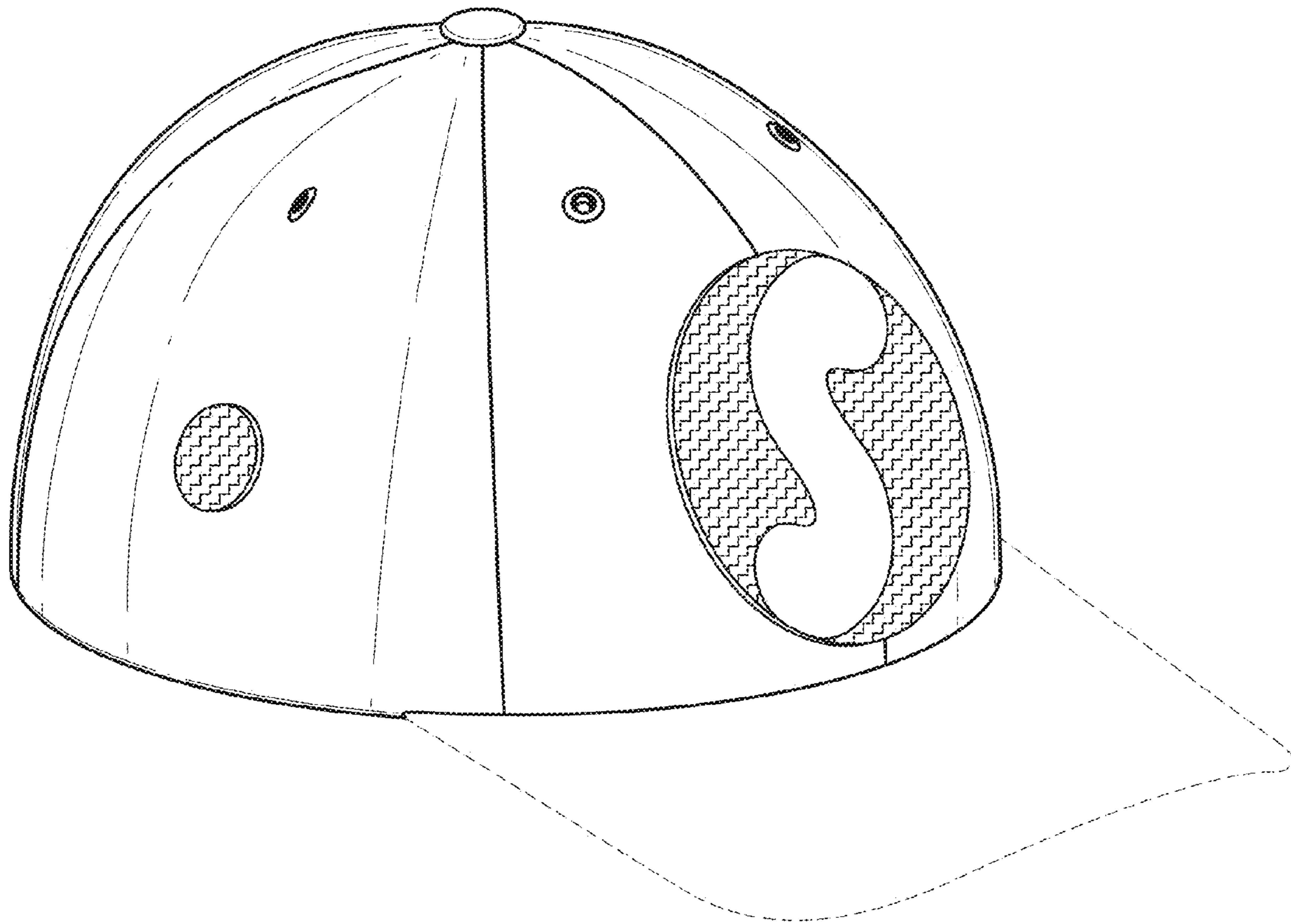


FIG. 2

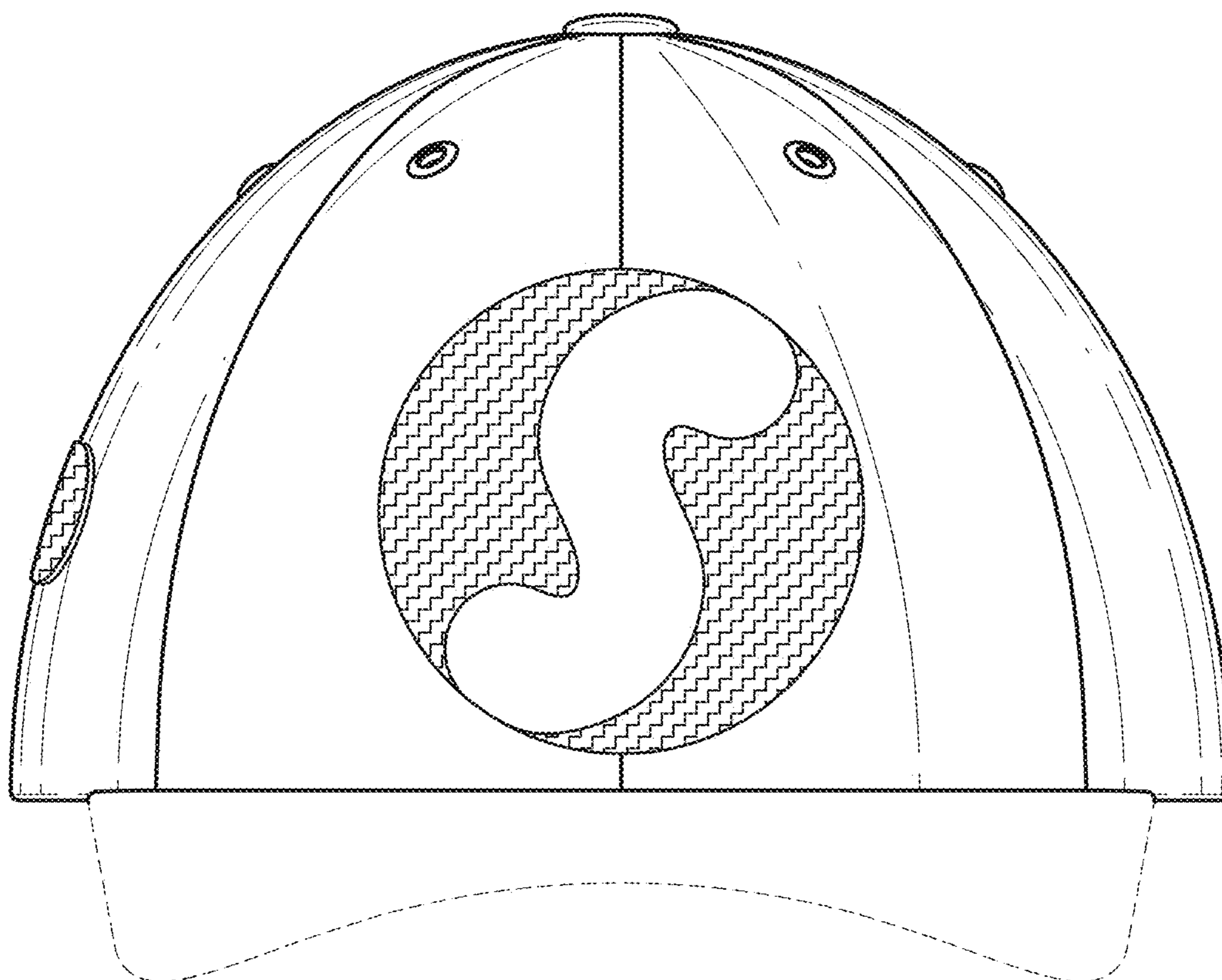


FIG. 3

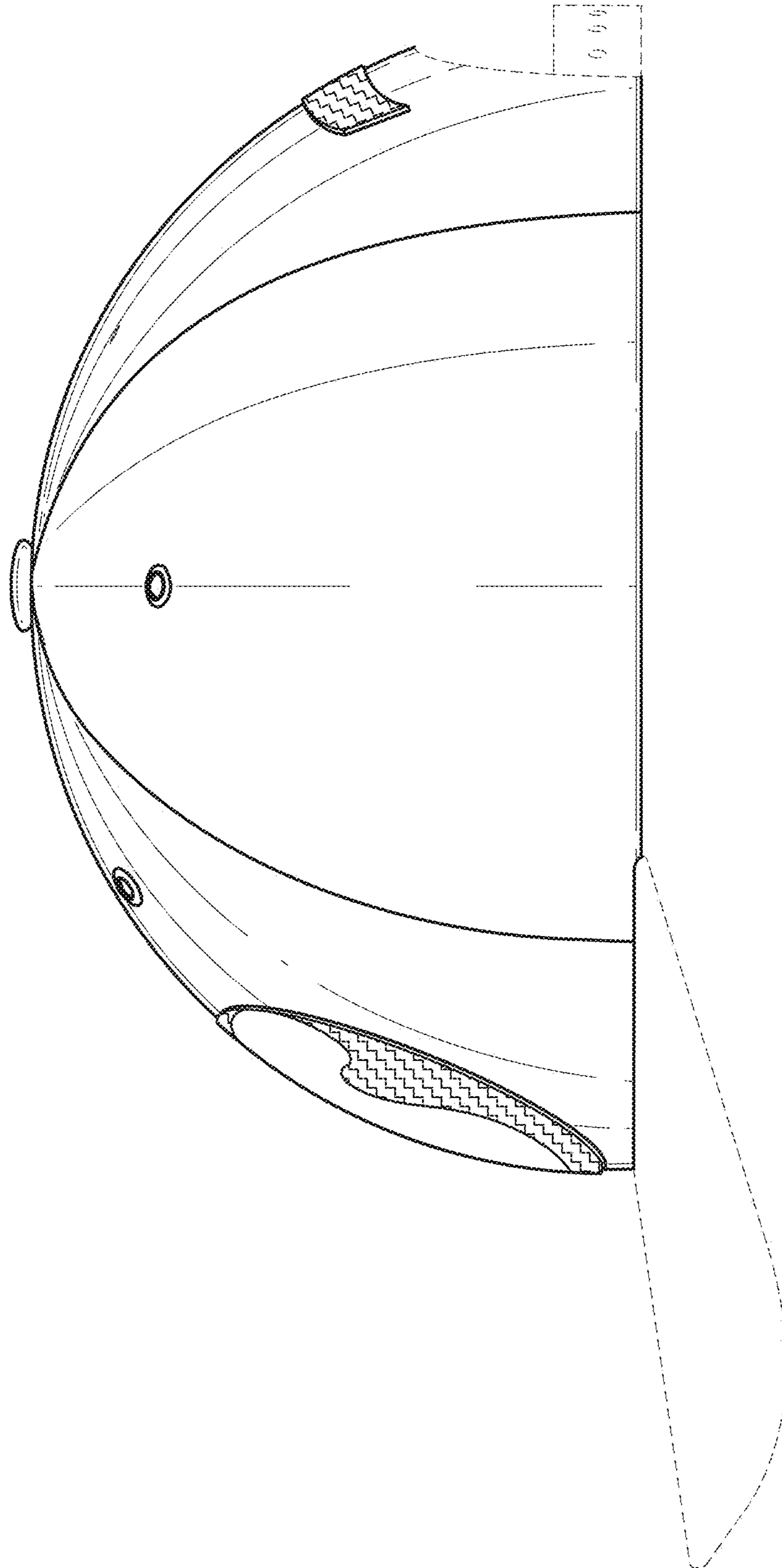


FIG. 4

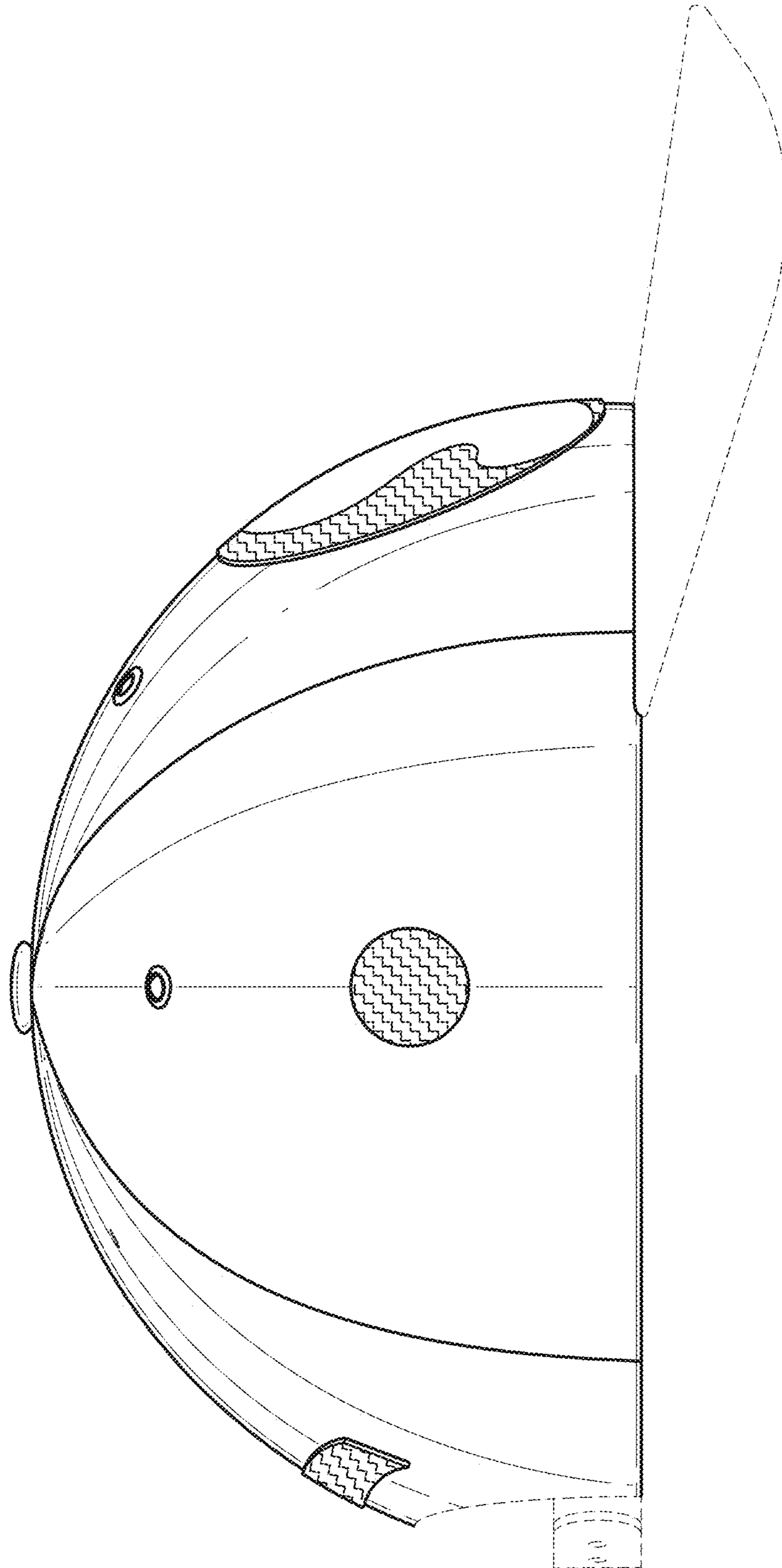


FIG. 5

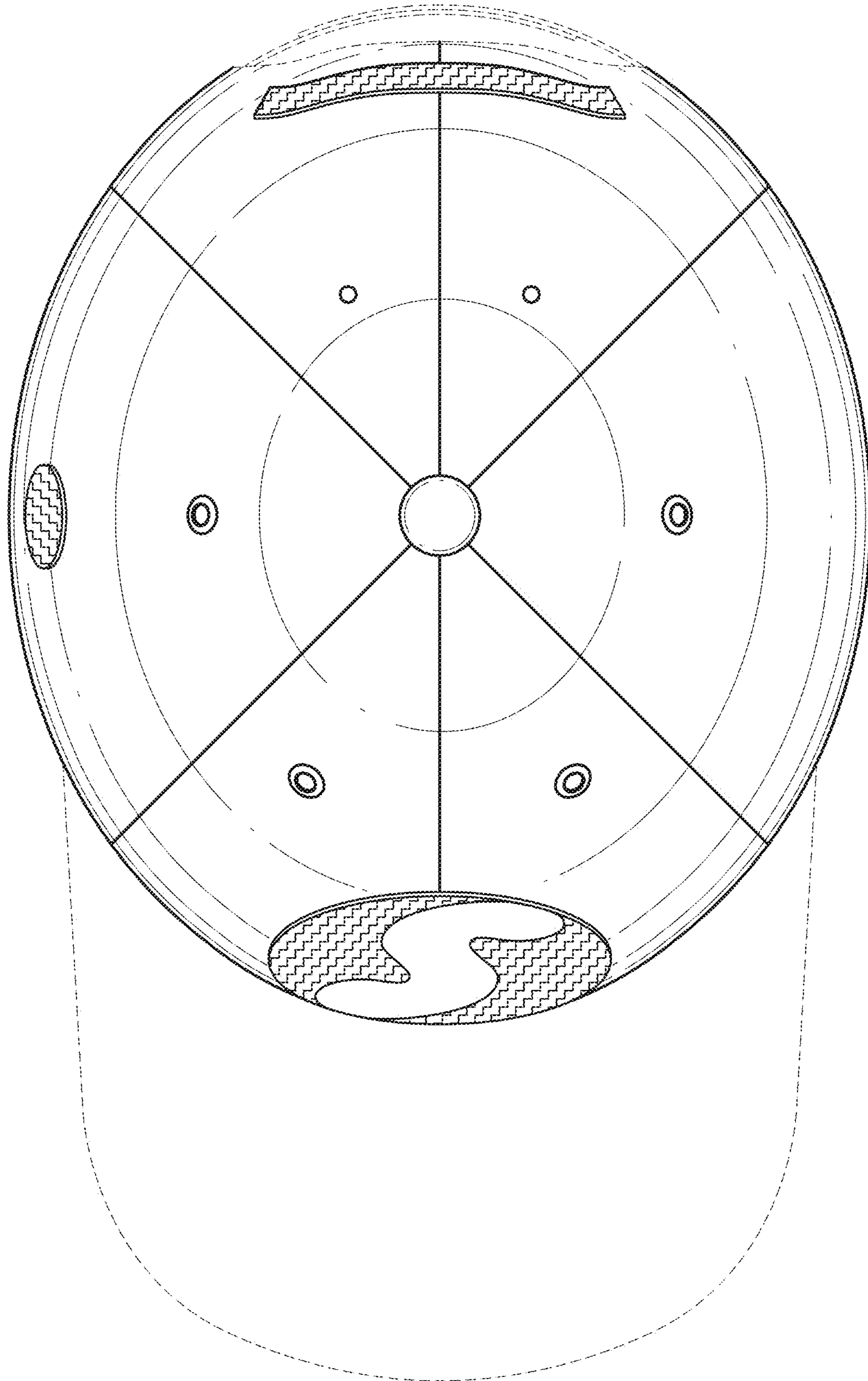


FIG. 6

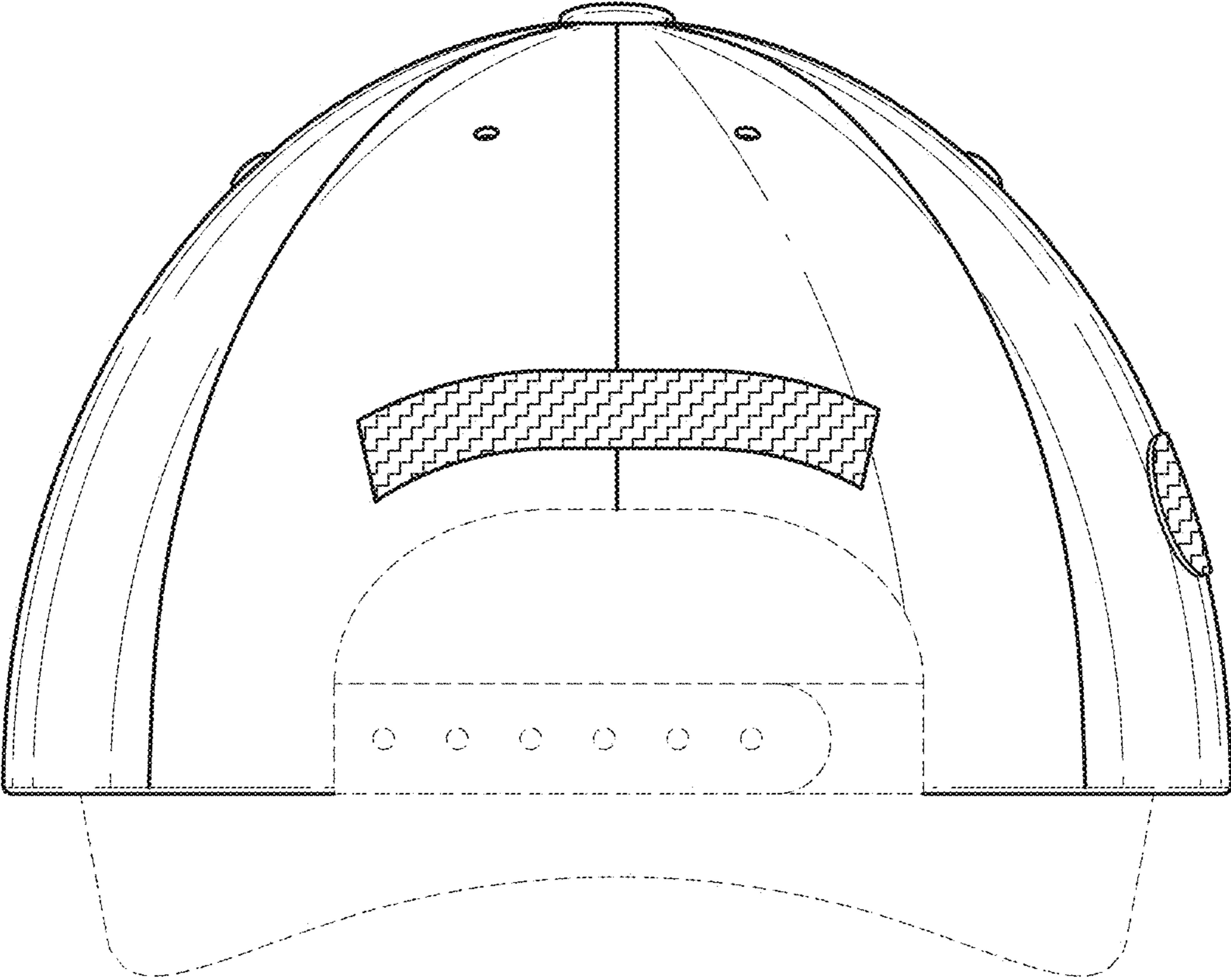


FIG. 7

