



US00D972811S

(12) **United States Design Patent**
Skurla, III

(10) **Patent No.:** **US D972,811 S**

(45) **Date of Patent:** **** Dec. 20, 2022**

(54) **RAIN JACKET**

(71) Applicant: **Acushnet Company**, Fairhaven, MA
(US)

(72) Inventor: **Peter J. Skurla, III**, Bridgewater, MA
(US)

(73) Assignee: **Acushnet Company**, Fairhaven, MA
(US)

(**) Term: **15 Years**

(21) Appl. No.: **29/717,164**

(22) Filed: **Dec. 16, 2019**

(51) **LOC (13) Cl.** **02-02**

(52) **U.S. Cl.**
USPC **D2/828**

(58) **Field of Classification Search**
USPC D2/715, 749–750, 825–826, 828, 831,
D2/839–840, 854, 878

CPC . A41D 1/02; A41D 1/04; A41D 1/082; A41D
3/00; A41D 3/02; A41D 3/04

See application file for complete search history.

(56) **References Cited**

U.S. PATENT DOCUMENTS

D698,524 S *	2/2014	Roberts	D2/839
D784,657 S *	4/2017	Adrovic	D2/731
10,092,050 B2	10/2018	Skurla, III		
D854,788 S	7/2019	Skurla, III		
D889,777 S *	7/2020	Maier	D2/828
2008/0184454 A1 *	8/2008	Collier	A41D 1/06 2/243.1
2009/0249529 A1 *	10/2009	Rodriguez	A41D 3/00 2/108
2010/0287680 A1 *	11/2010	Johnson	B32B 27/12 156/60

OTHER PUBLICATIONS

FootJoy HydroTour Golf Rain Jacket, posted NA [online], (retrieved Aug. 8, 2022). Retrieved from the internet, <https://www.carlsgolfland.com/footjoy-hydrotour-golf-rain-jacket-royal-black-35377?product=98787&gclid=EAIaIQobChMlvKfAwp24-QIVBsmUCR25jw%E2%80%A6> (Year: NA).*

RefrigiWear Extreme Softshell Insulated Jacket, posted Aug. 27, 2014 [online], (retrieved Aug. 8, 2022). Retrieved from the internet, https://www.amazon.com/RefrigiWear-Extreme-Softshell-Insulated-Protection/dp/B00OHYD91M/ref=asc_df_B00OHYD91M/?tag=hyprod-20&linkCod%E2%80%A6 (Year: 2014).*

The North Face Denali 2 Fleece Jacket, reviewed 2016 [online], (retrieved Aug. 8, 2022). Retrieved from the internet, <https://www.rei.com/product/194605/the-north-face-denali-2-fleece-jacket-mens> (Year: 2016).*

* cited by examiner

Primary Examiner — Kevin K Rudzinski

Assistant Examiner — J. Thorn, Sr.

(74) *Attorney, Agent, or Firm* — Kristin D. Wheeler

(57) **CLAIM**

The ornamental design for a rain jacket, as shown and described.

DESCRIPTION

FIG. 1 is a perspective view of the rain jacket of this invention;

FIG. 2 is a front view of the rain jacket of this invention;

FIG. 3 is a rear view of the rain jacket of this invention;

FIG. 4 is a top plan view of the rain jacket of this invention;

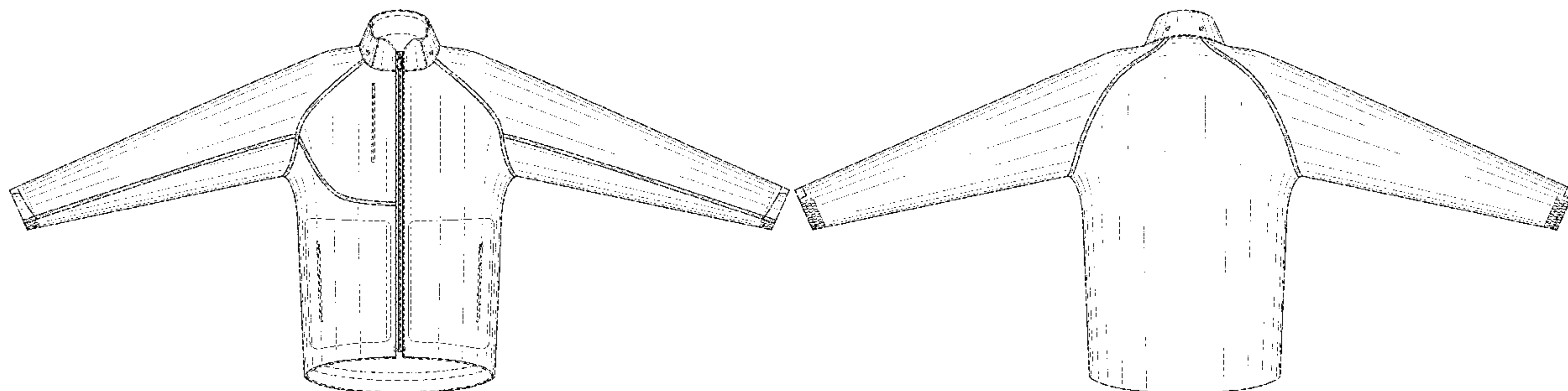
FIG. 5 is a bottom plan of the rain jacket of this invention;

FIG. 6 is a first side elevation view of the rain jacket of this invention; and,

FIG. 7 is a second side elevation view of the rain jacket of this invention.

In FIGS. 1-7, the thinner, short-incremented broken lines within the jacket depict stitching and form no part of the claimed design. All other broken lines depict portions of the rain jacket that form no part of the claimed design.

1 Claim, 5 Drawing Sheets



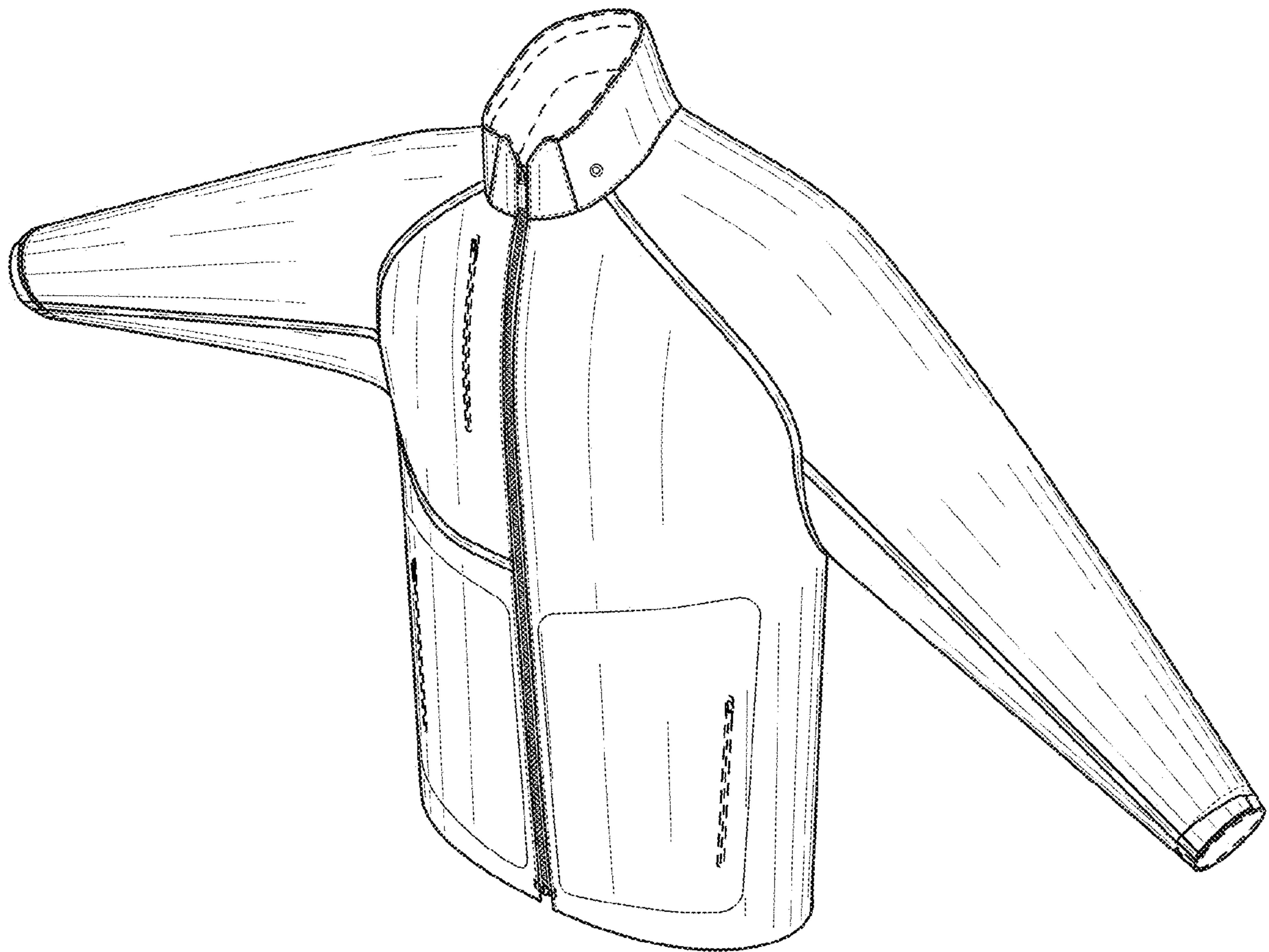


FIG. 1

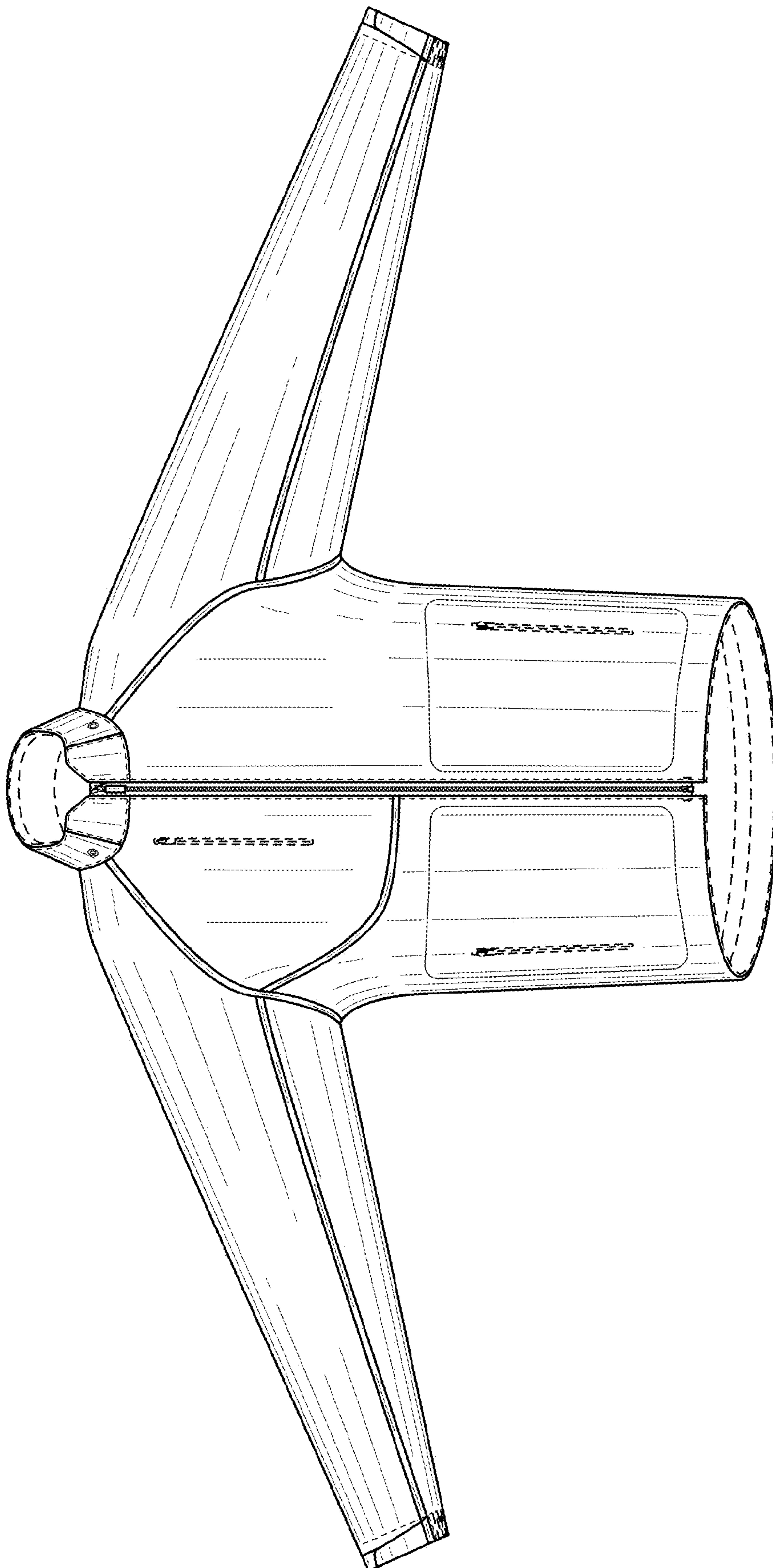


FIG. 2

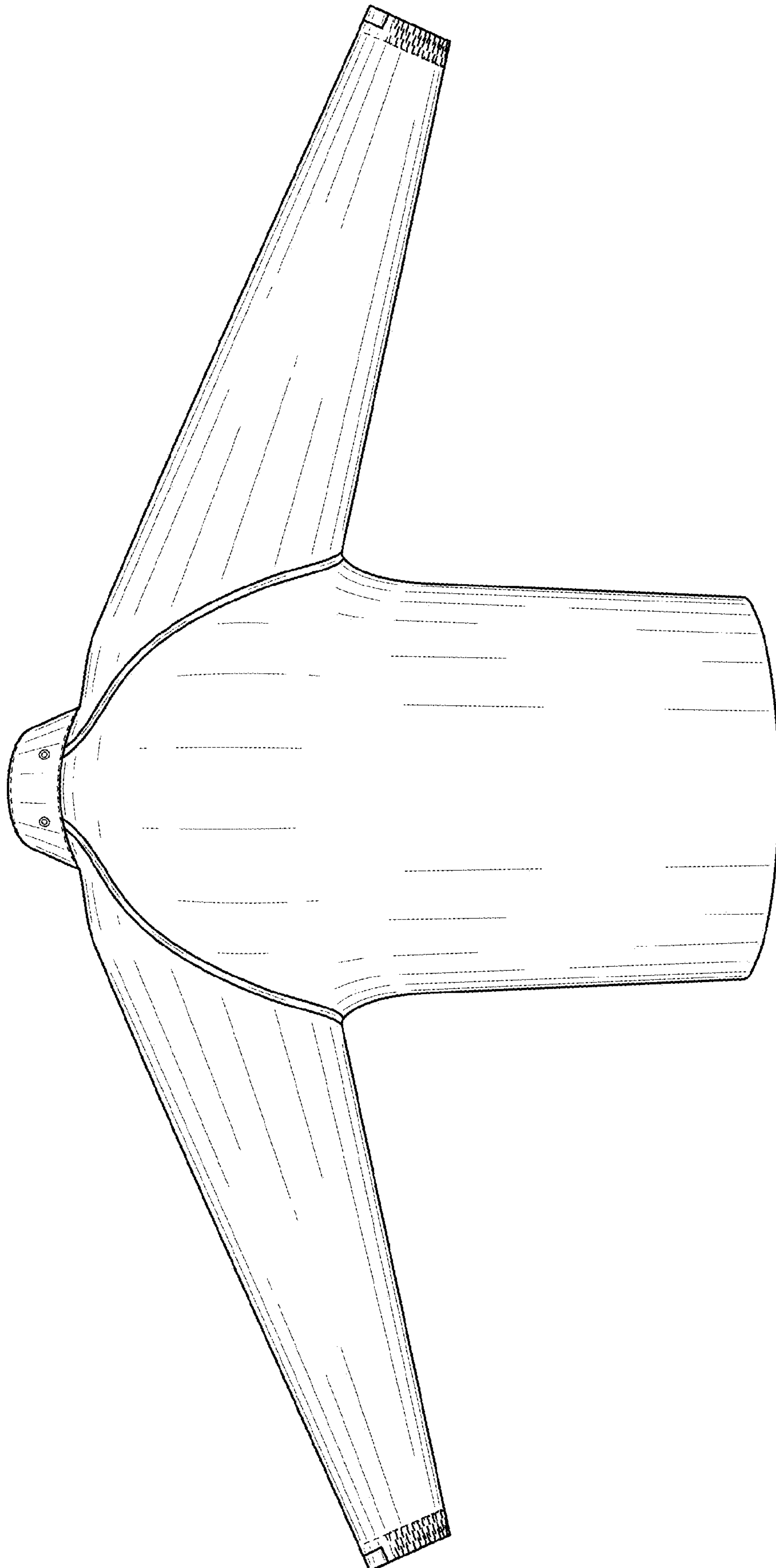


FIG. 3

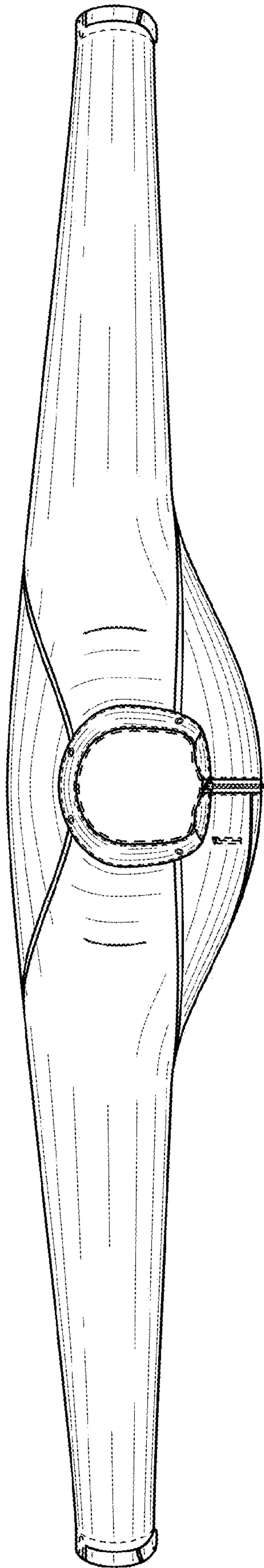


FIG. 4

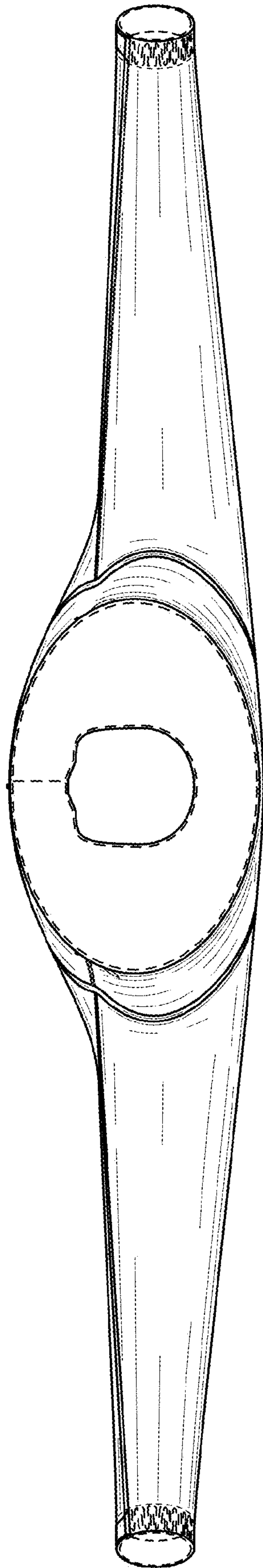


FIG. 5

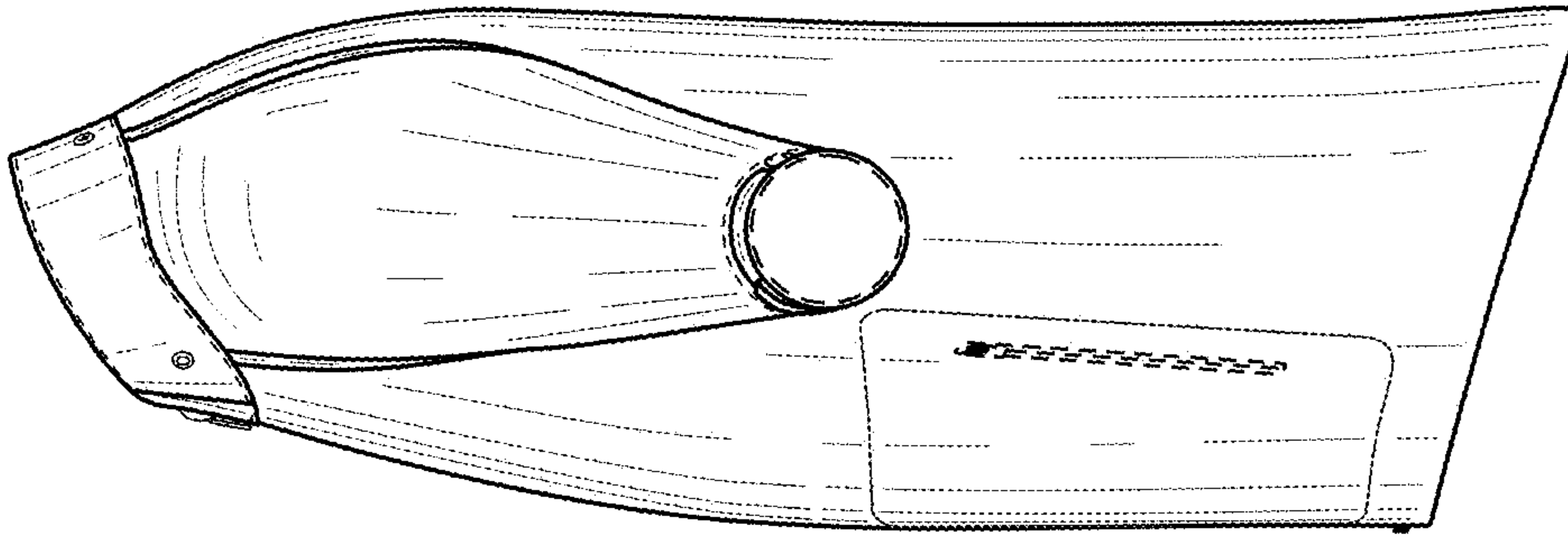


FIG. 7

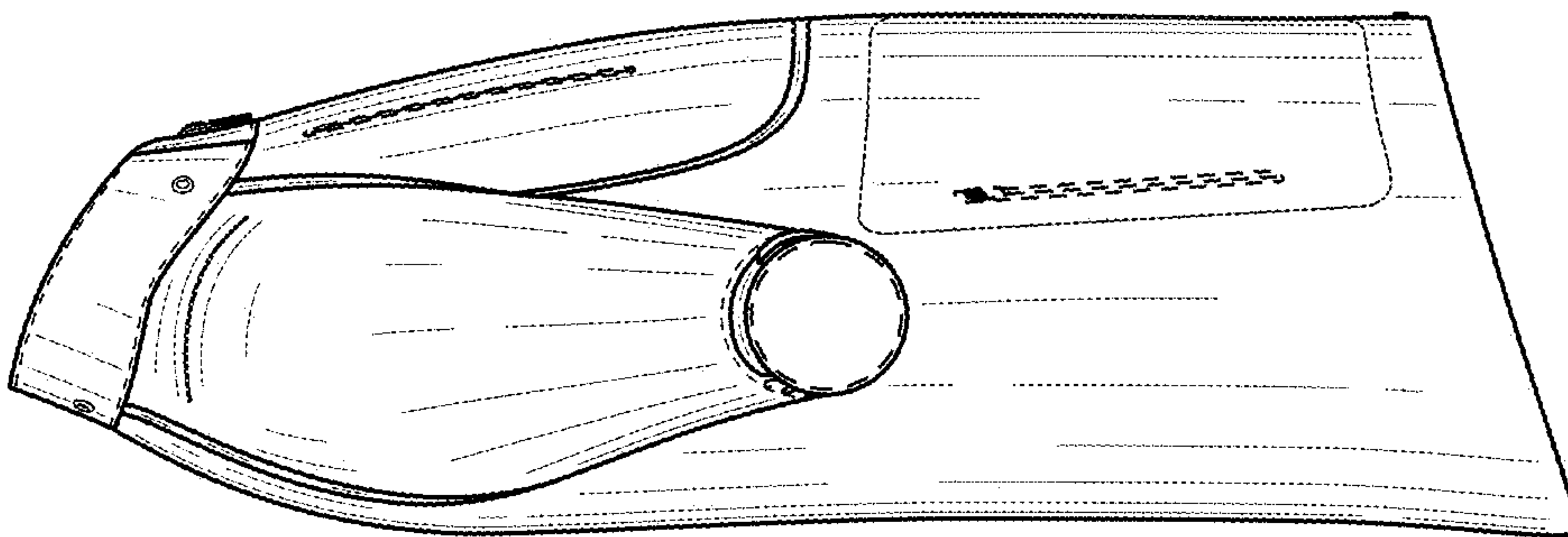


FIG. 6