



US00D972807S

(12) **United States Design Patent** (10) **Patent No.:** **US D972,807 S**  
**Jiandong et al.** (45) **Date of Patent:** **\*\* Dec. 13, 2022**

(54) **PALLET TRUCK TILLER MODULE**

(71) Applicant: **ZHEJIANG E-P EQUIPMENT CO., LTD.**, Hangzhou (CN)

(72) Inventors: **Yu Jiandong**, Hangzhou (CN); **Lin Zuqian**, Hangzhou (CN); **Xu Minghui**, Hangzhou (CN); **Huang Chao**, Hangzhou (CN); **Ma Qichen**, Hangzhou (CN)

(73) Assignee: **ZHEJIANG E-P EQUIPMENT CO., LTD.**

(\*\*) Term: **15 Years**

(21) Appl. No.: **29/843,940**

(22) Filed: **Jun. 24, 2022**

**Related U.S. Application Data**

(62) Division of application No. 29/687,864, filed on Apr. 16, 2019, now Pat. No. Des. 962,584.

(51) **LOC (13) Cl.** ..... **12-05**

(52) **U.S. Cl.**  
USPC ..... **D34/35**

(58) **Field of Classification Search**  
USPC ..... D34/12-20, 23-28, 33-35, 37; D15/10, D15/23-33; D12/86, 90-92, 106, 163, D12/164, 169, 171, 196, 216  
CPC ... B62B 3/0612; B62B 3/0618; B62B 5/0069; B62B 5/0438; B62B 2203/20; B66F 9/22; B66F 9/085; B66F 9/186  
See application file for complete search history.

(56) **References Cited**

**U.S. PATENT DOCUMENTS**

8,833,736 B2 \* 9/2014 Feiquan ..... B66F 9/22 414/664  
D754,415 S \* 4/2016 Liu ..... D34/34  
(Continued)

*Primary Examiner* — Mark A Goodwin  
(74) *Attorney, Agent, or Firm* — Cook Alex Ltd.

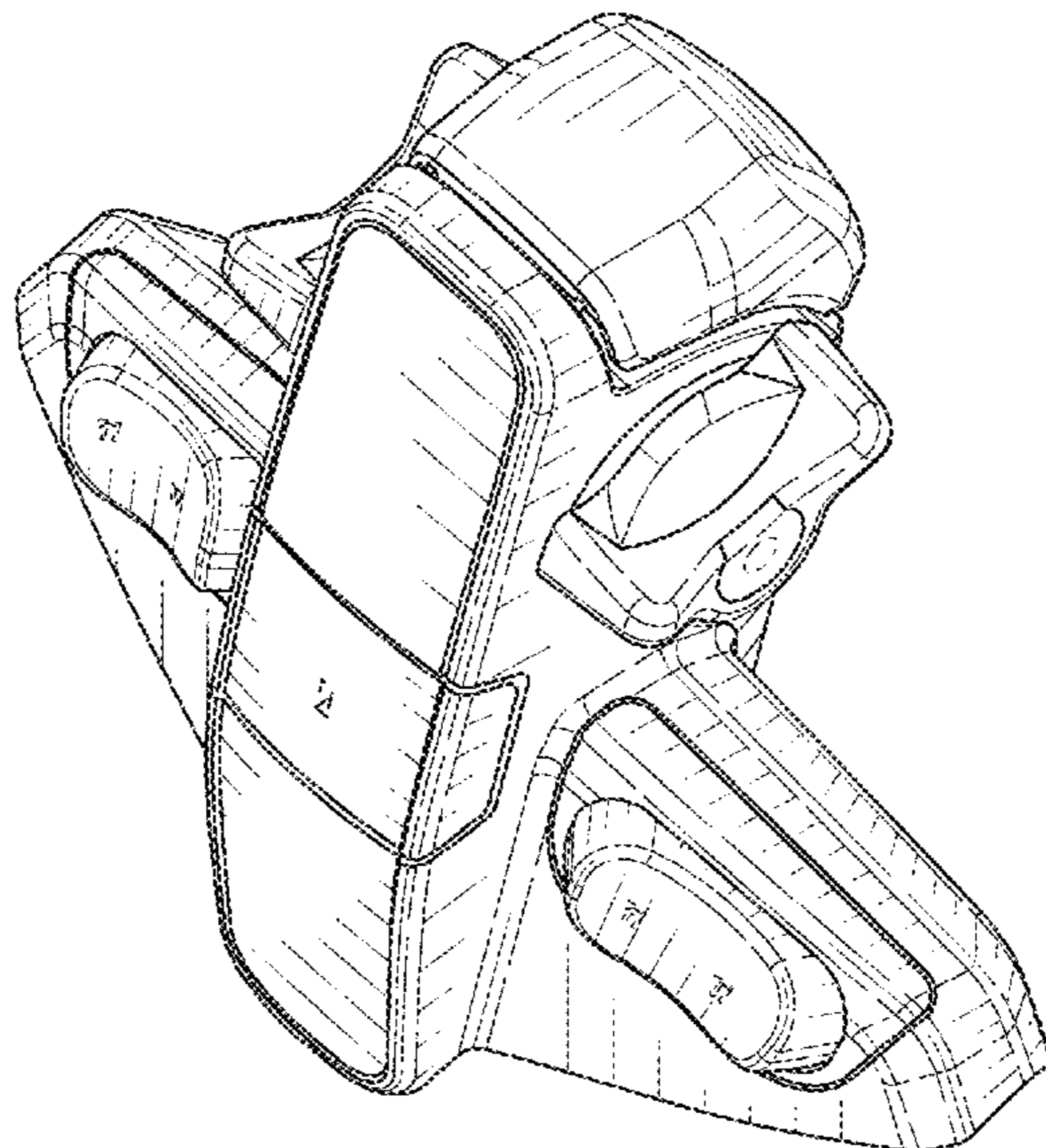
(57) **CLAIM**

We claim the ornamental design for a pallet truck tiller module, as shown and described.

**DESCRIPTION**

FIG. 1 is a left upper front perspective view of a pallet truck tiller module according to our new design;  
FIG. 2 is a right upper front perspective view of the embodiment in FIG. 1;  
FIG. 3 is a left upper rear perspective view of the embodiment in FIG. 1;  
FIG. 4 is a right upper rear perspective view of the embodiment in FIG. 1;  
FIG. 5 is a left lower front perspective view of the embodiment of FIG. 1;  
FIG. 6 is a right lower front perspective view of the embodiment of FIG. 1;  
FIG. 7 is a left lower rear perspective view of the embodiment of FIG. 1;  
FIG. 8 is a right lower rear perspective view of the embodiment of FIG. 1;  
FIG. 9 is a front elevational view of the embodiment in FIG. 1;  
FIG. 10 is a rear elevational view of the embodiment in FIG. 1;  
FIG. 11 is a left side elevational view of the embodiment in FIG. 1;  
FIG. 12 is a right side elevational view of the embodiment in FIG. 1;  
FIG. 13 is a top plan view of the embodiment in FIG. 1; and, FIG. 14 is a bottom plan view of the embodiment in FIG. 1. The broken lines shown in the figures are included for the purpose of illustrating portions of the pallet truck tiller module and form no part of the claimed design.

**1 Claim, 7 Drawing Sheets**



(56)

**References Cited**

U.S. PATENT DOCUMENTS

D767,236	S	*	9/2016	Meng	.....	D34/34
D770,719	S	*	11/2016	He	.....	D34/34
D872,965	S	*	1/2020	Yuanwei	.....	D34/34
D874,083	S	*	1/2020	Chao	.....	D34/34
10,730,728	B1	*	8/2020	Qichen	.....	H01M 50/249
10,787,351	B2	*	9/2020	Lili	.....	B66F 9/07531
10,836,620	B2	*	11/2020	Jiandong	.....	B62D 1/14
D903,970	S	*	12/2020	Chao	.....	D34/34
D903,971	S	*	12/2020	Chao	.....	D34/34
D903,972	S	*	12/2020	Yuanwei	.....	D34/34
D903,973	S	*	12/2020	Yuanwei	.....	D34/34
D915,721	S	*	4/2021	White	.....	D34/34
D940,762	S	*	1/2022	Stent	.....	D15/28

\* cited by examiner

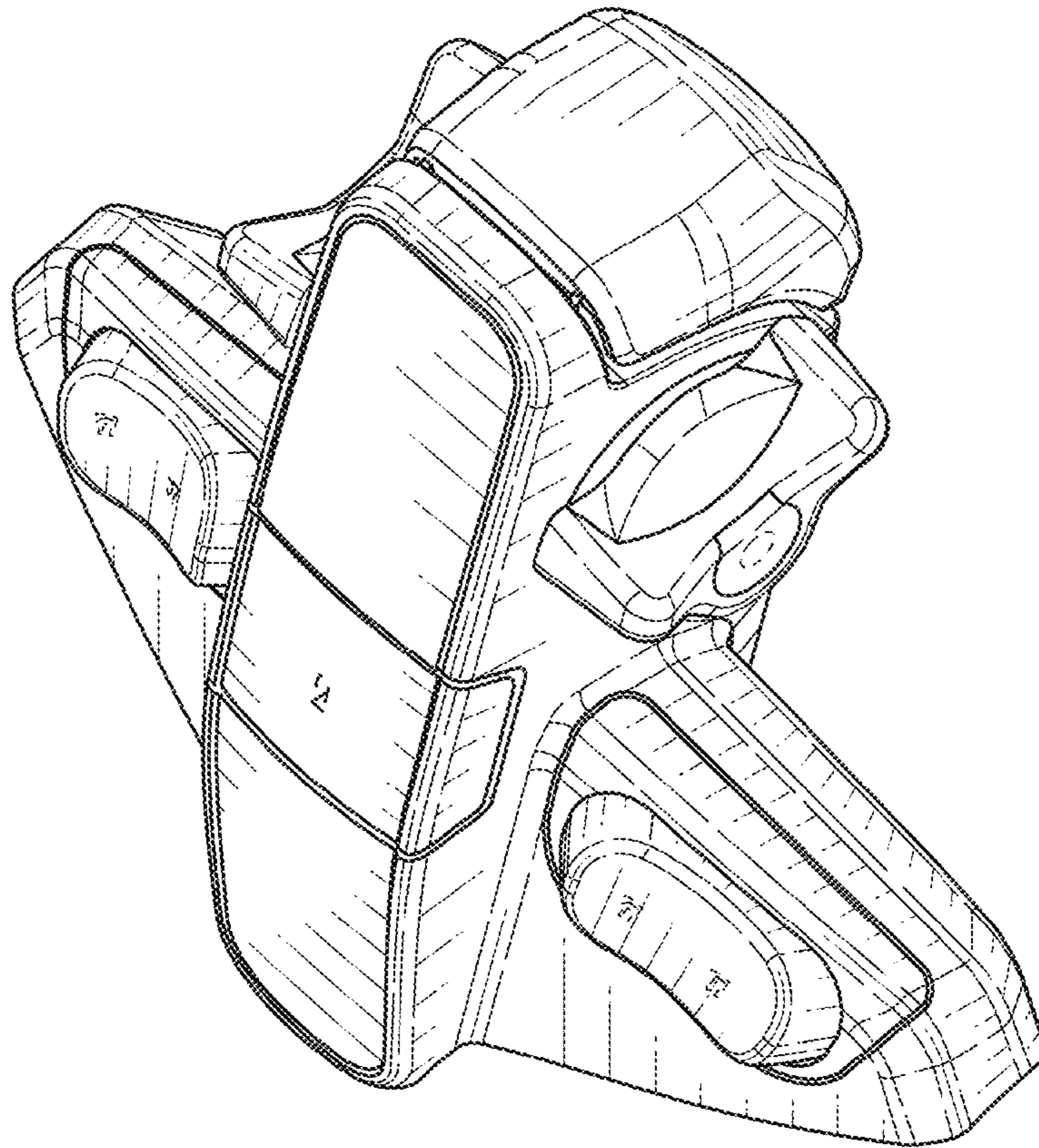


FIG. 1

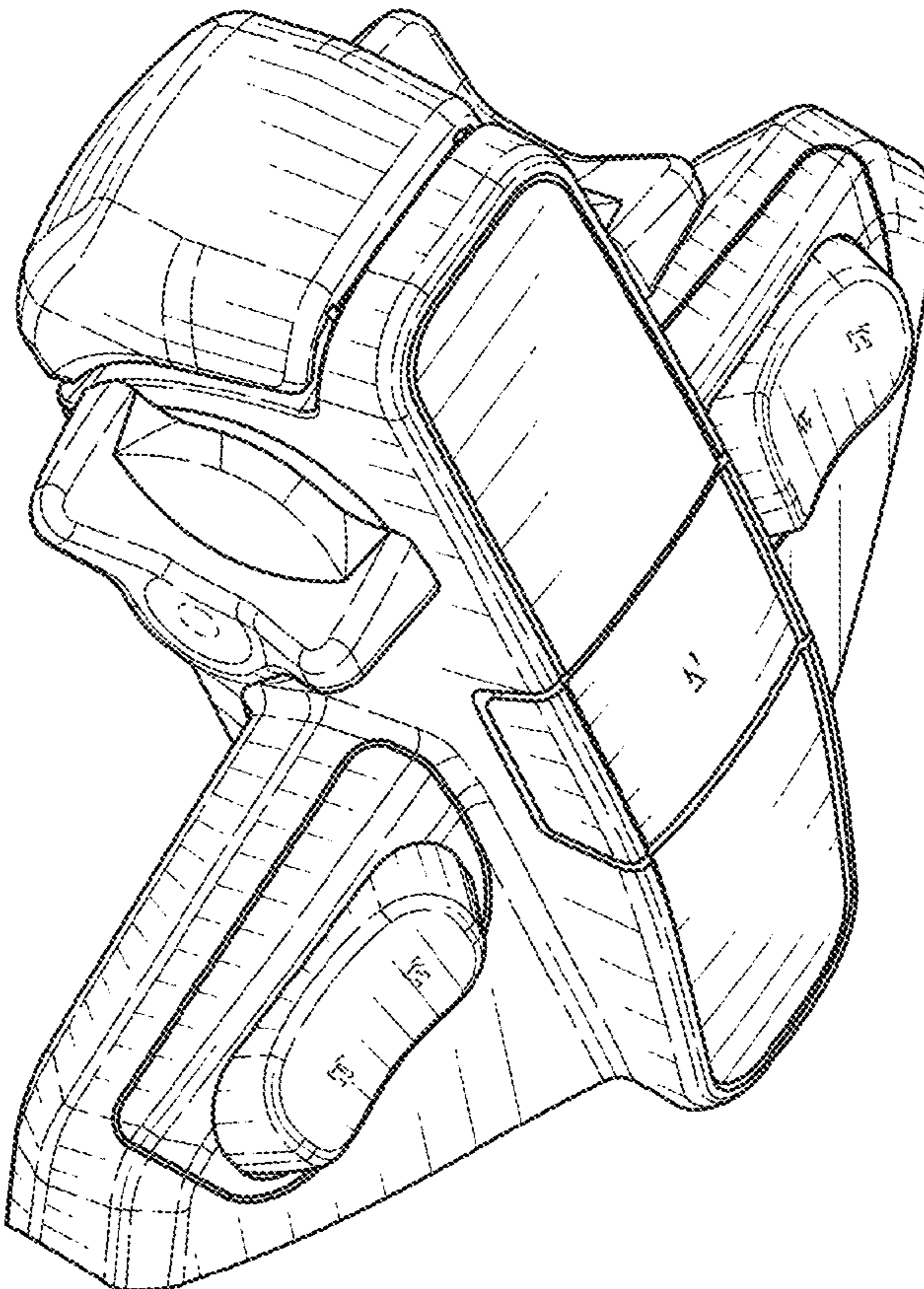


FIG. 2



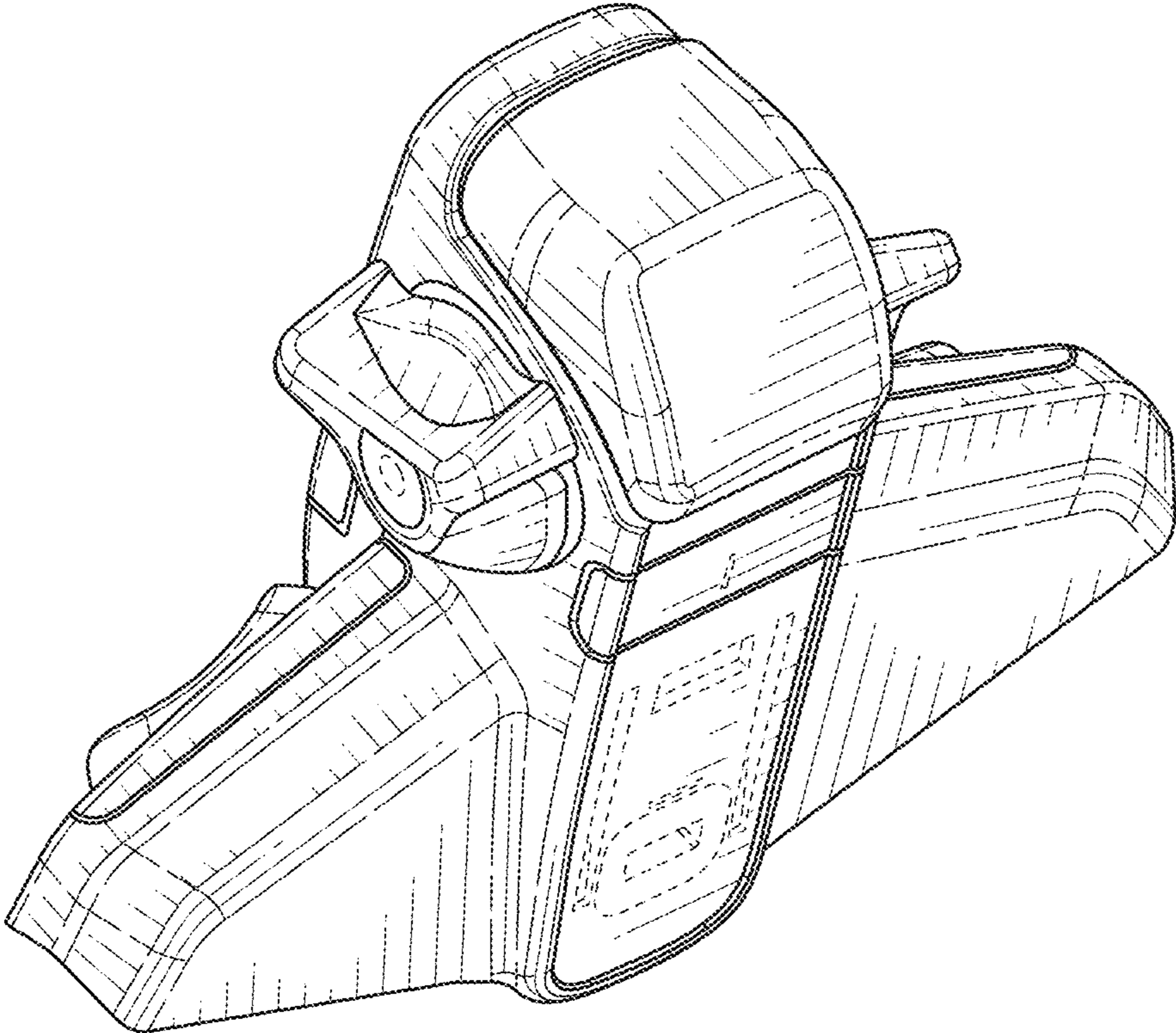


FIG. 3

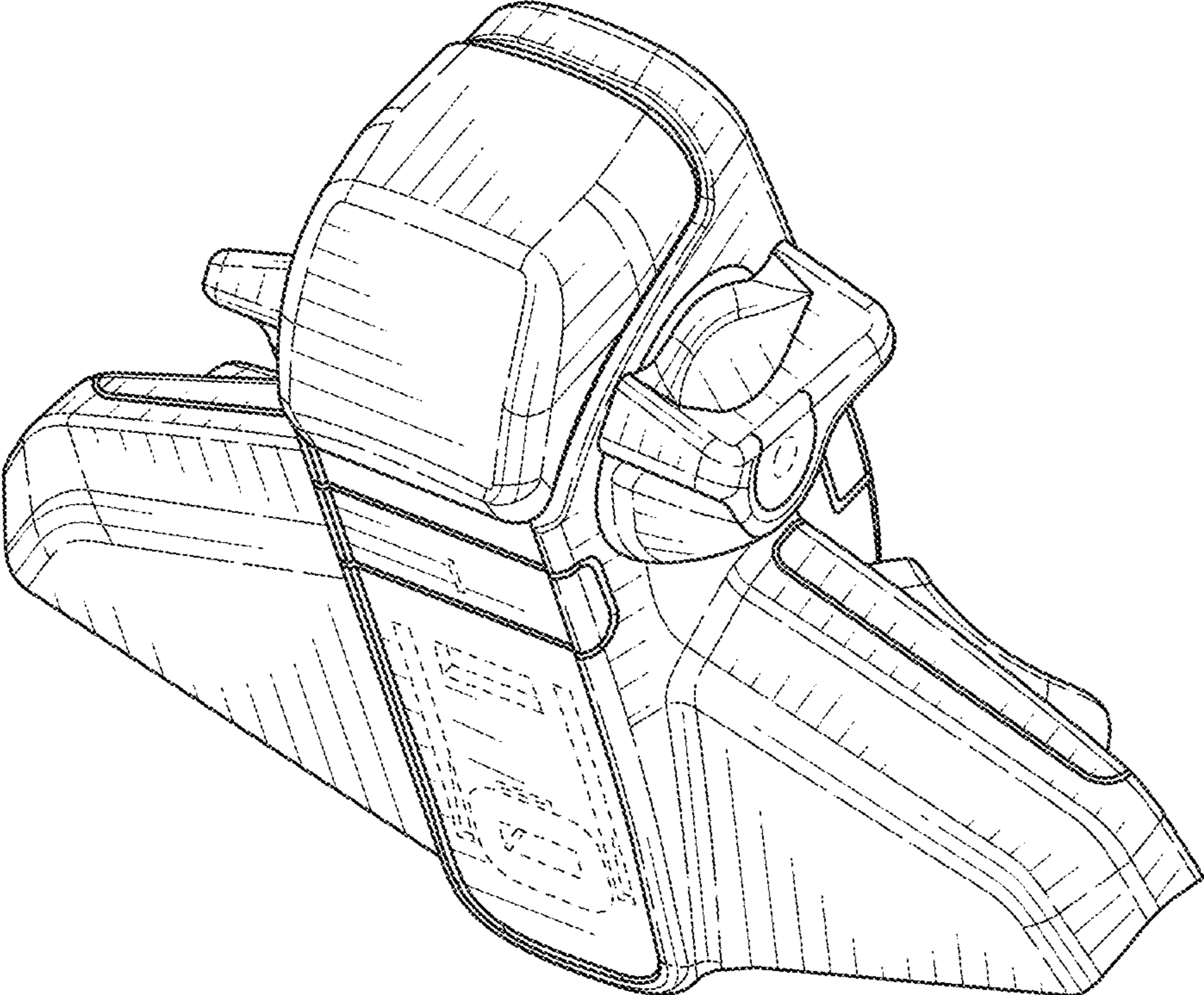


FIG. 4

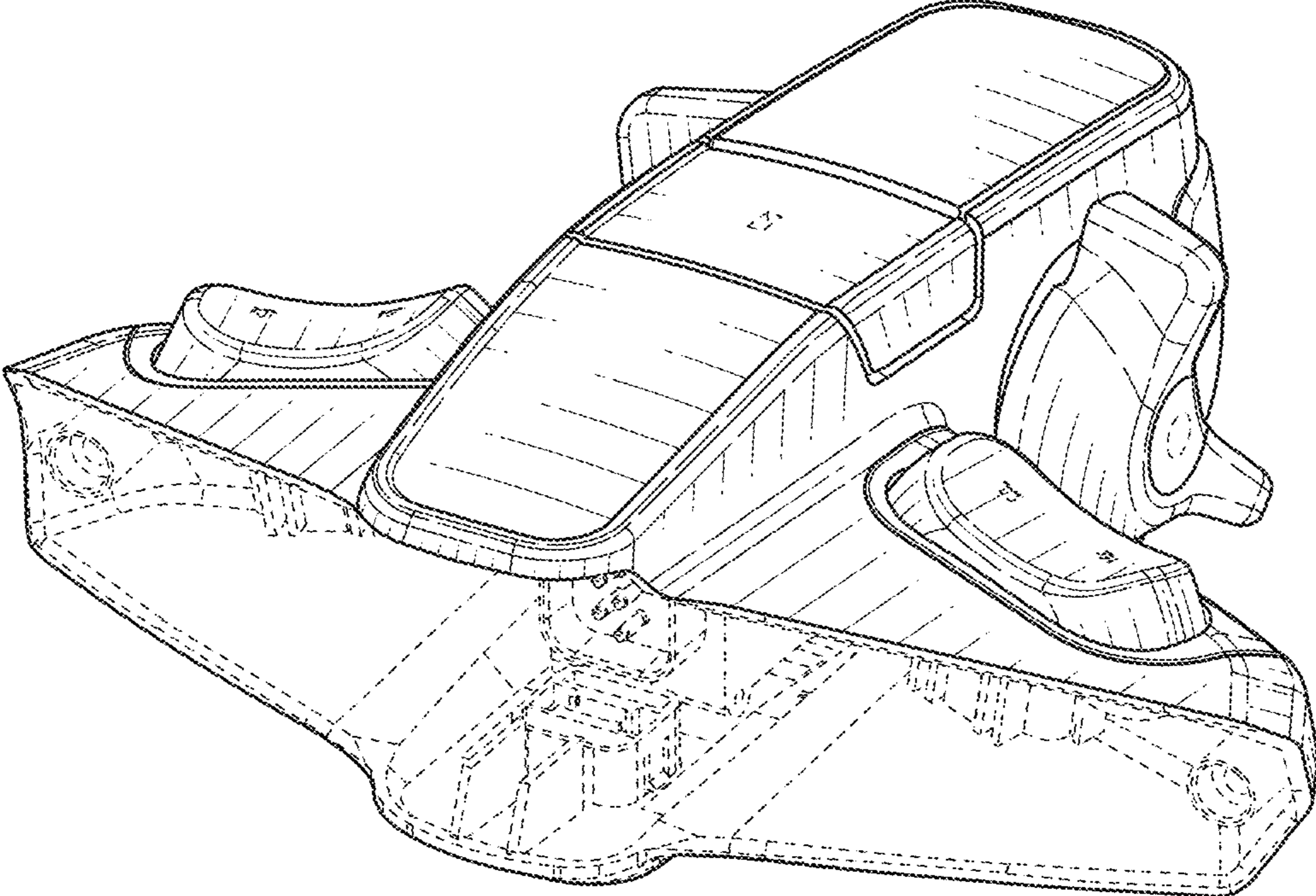


FIG. 5

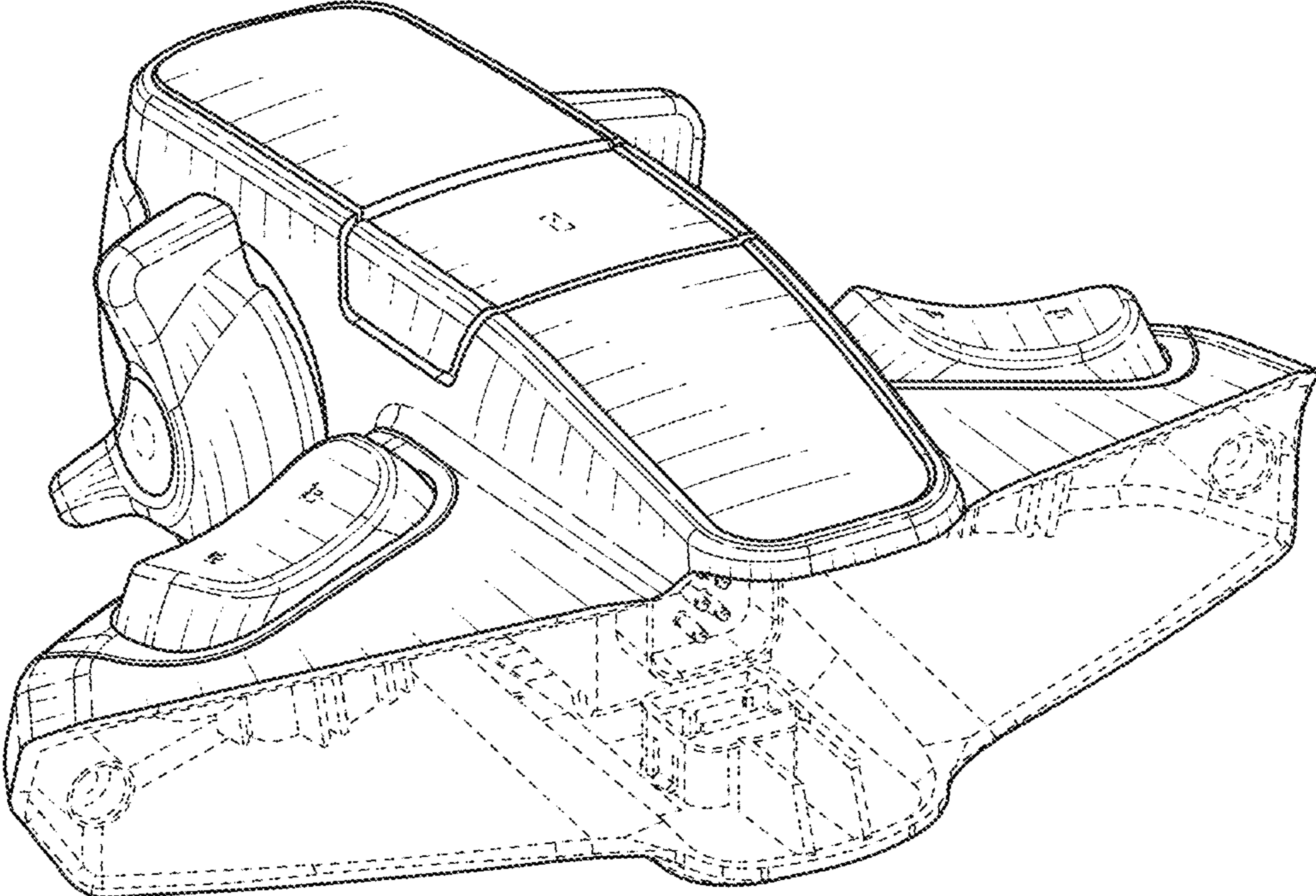


FIG. 6



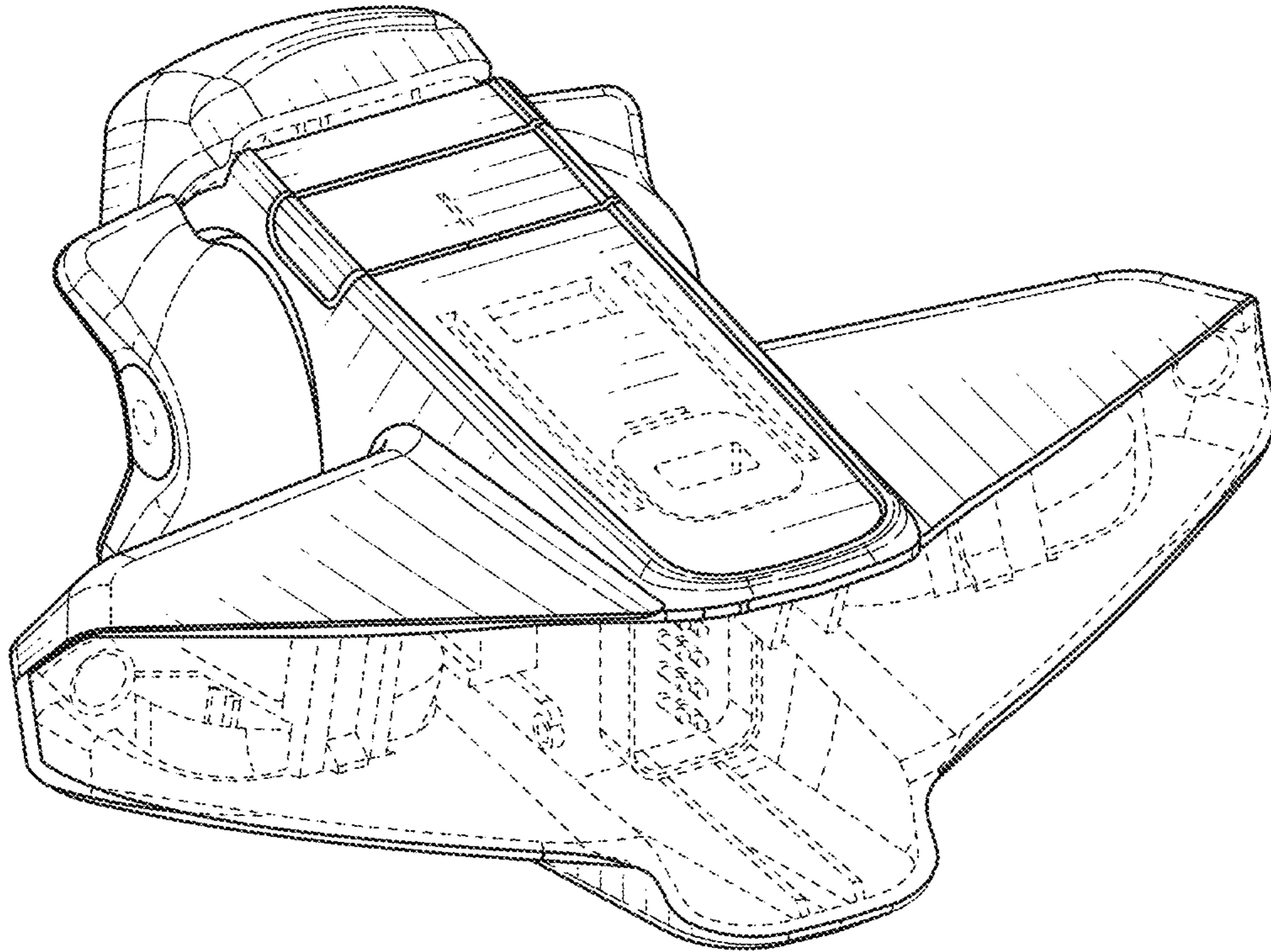


FIG. 7

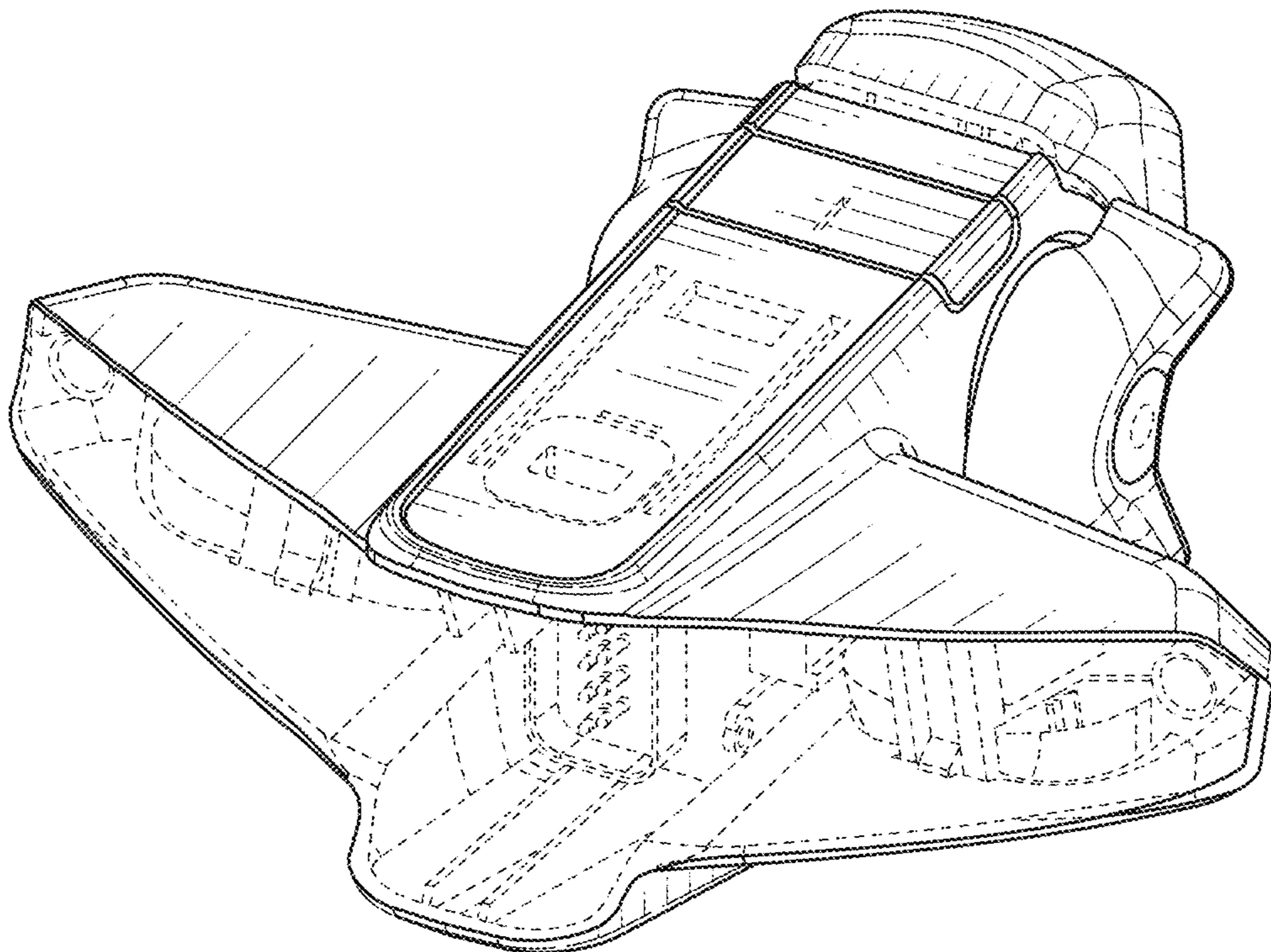


FIG. 8

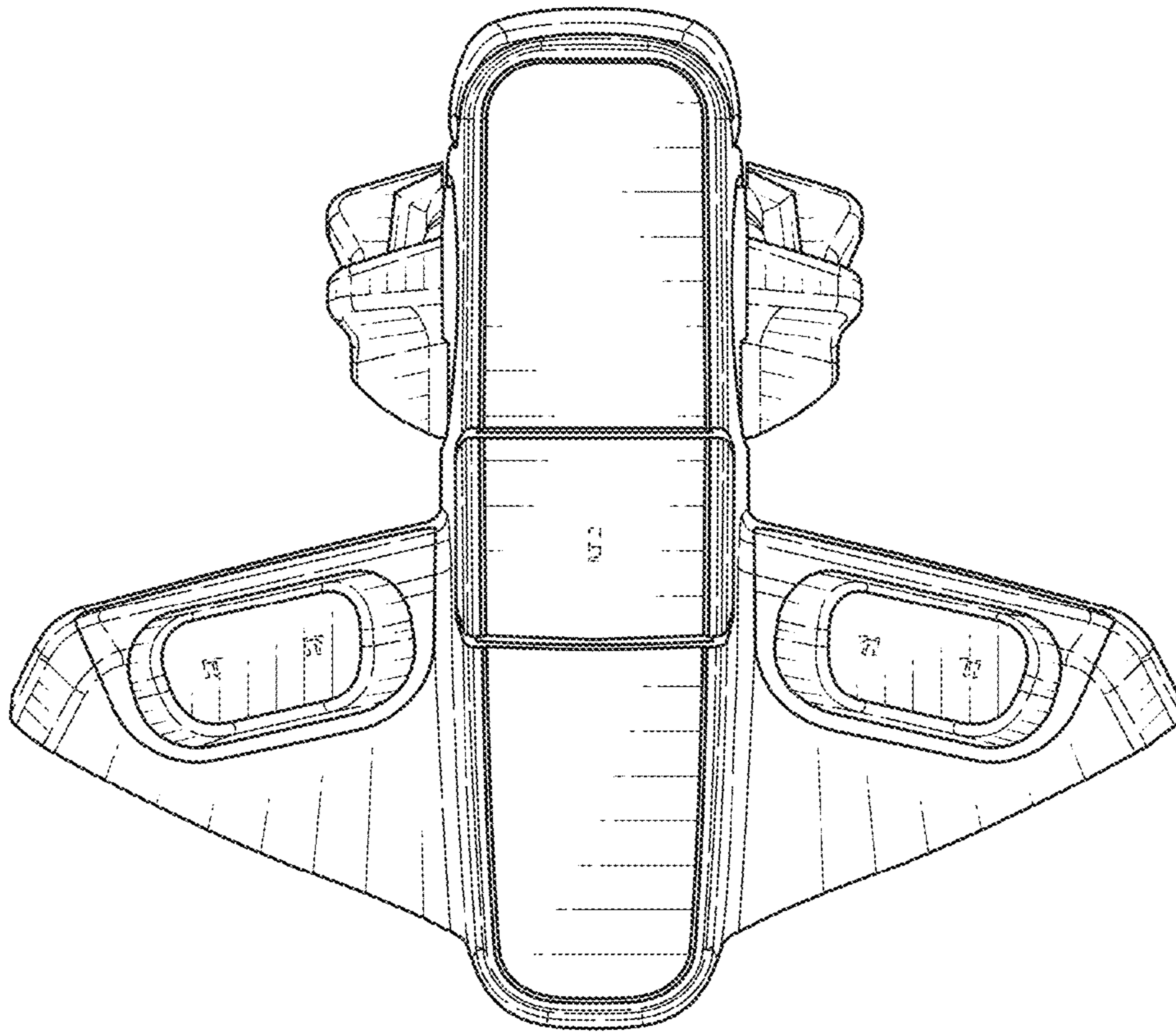


FIG. 9

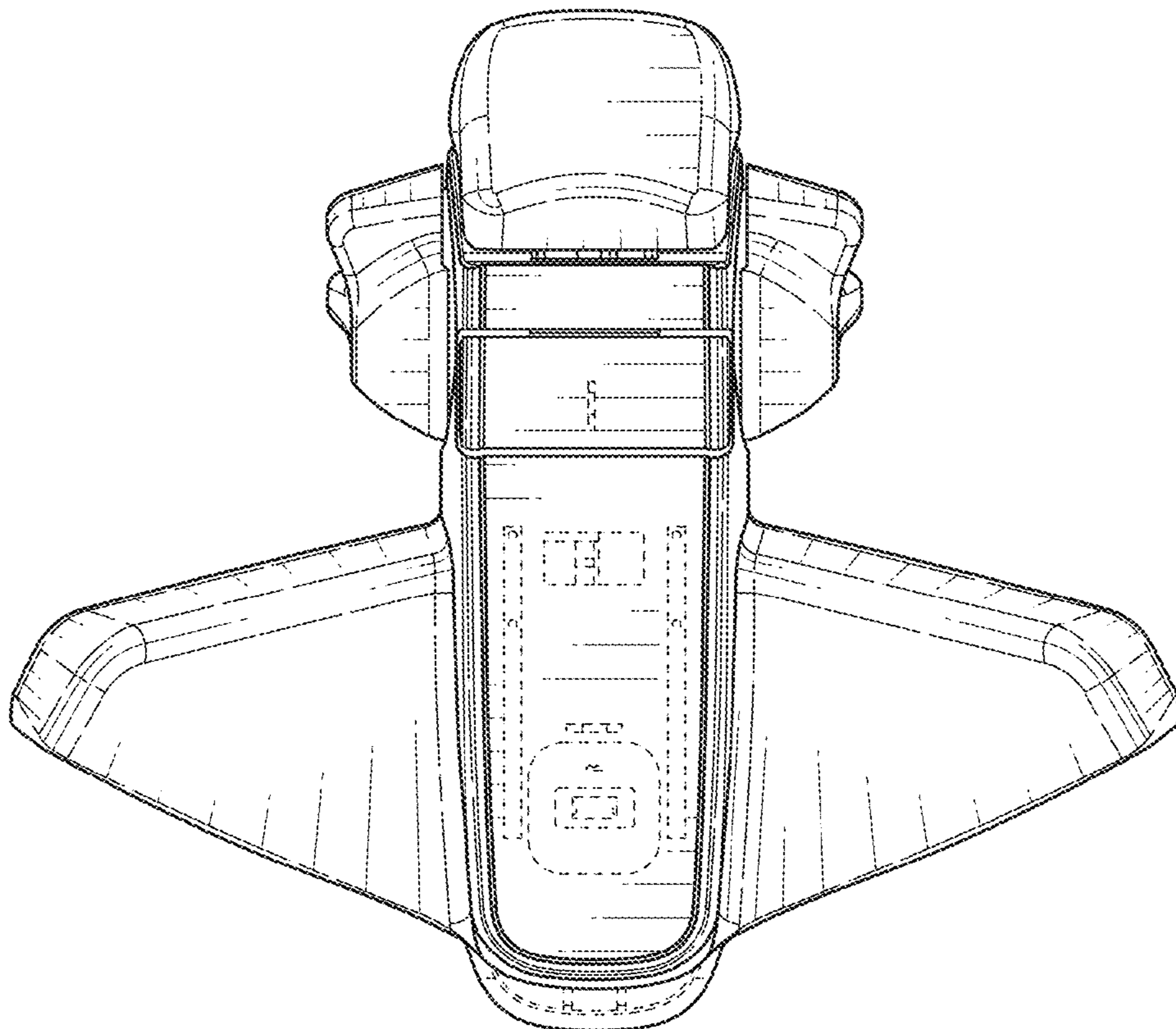


FIG. 10



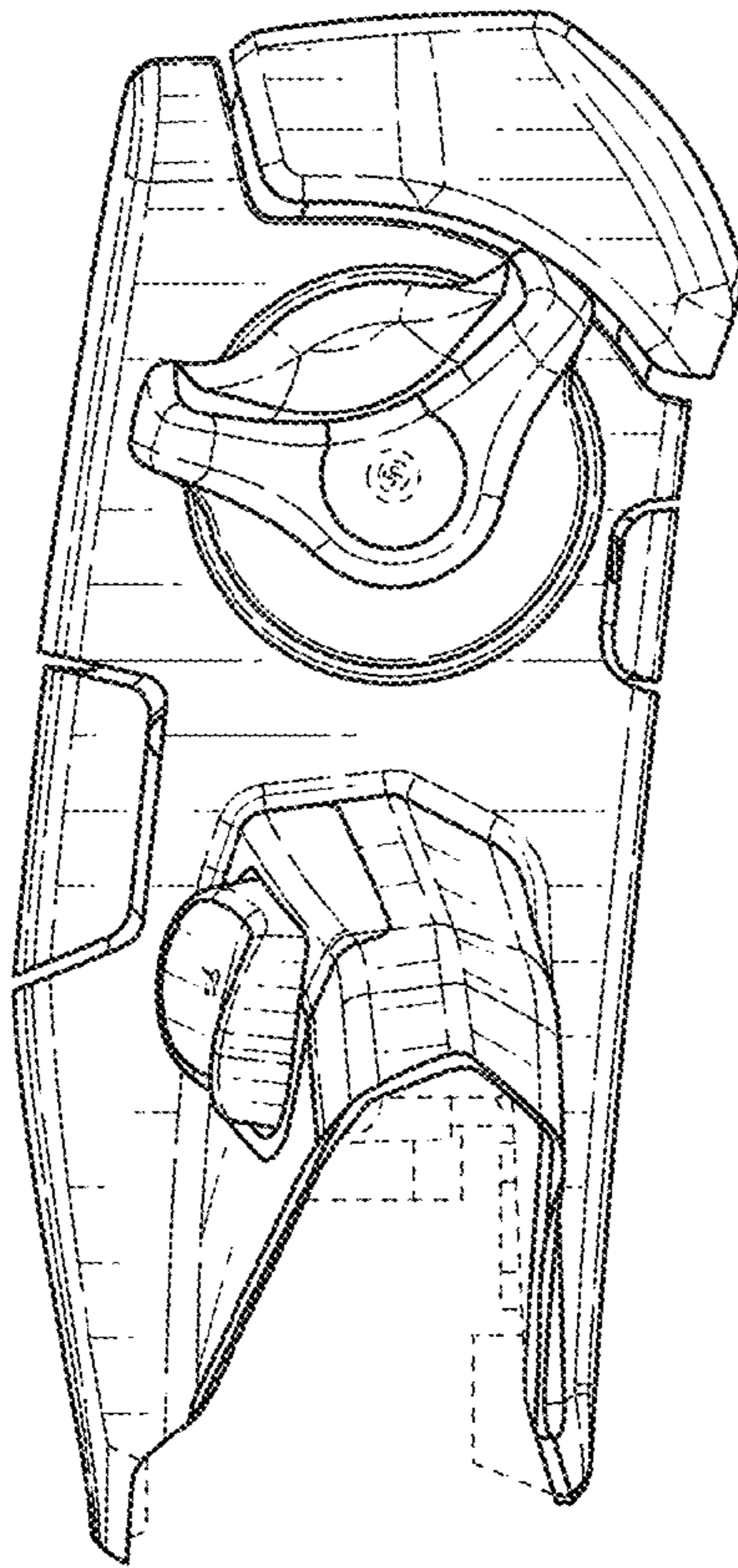


FIG. 11

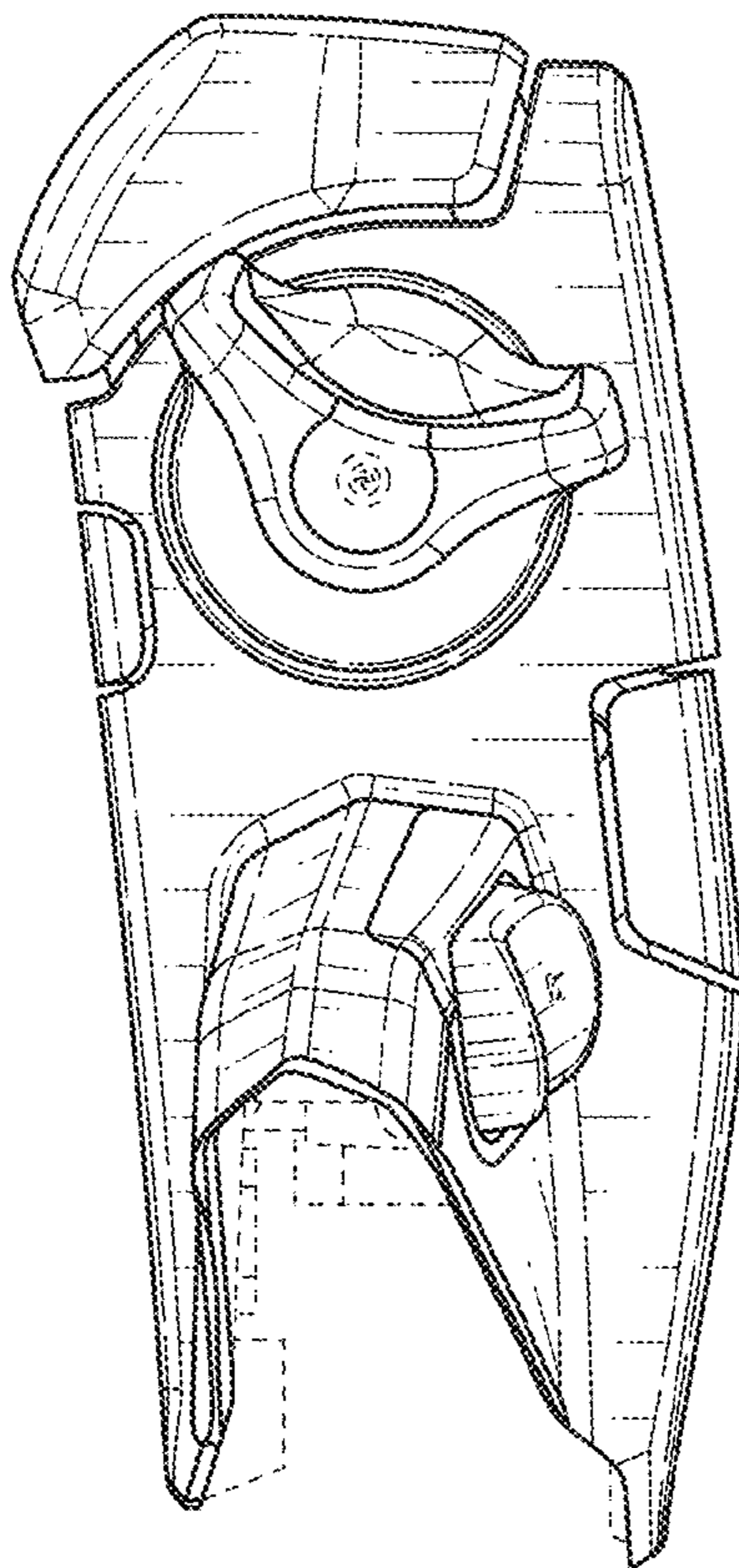


FIG. 12



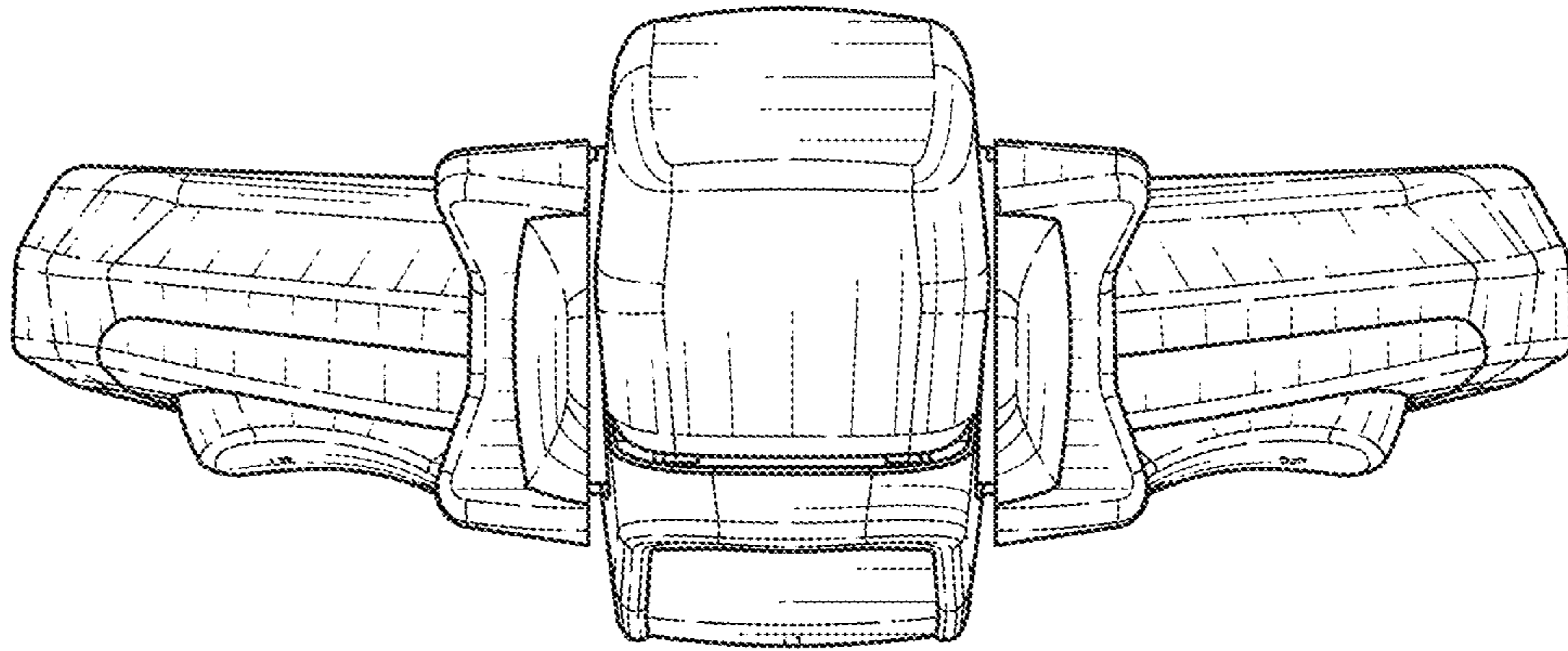


FIG. 13

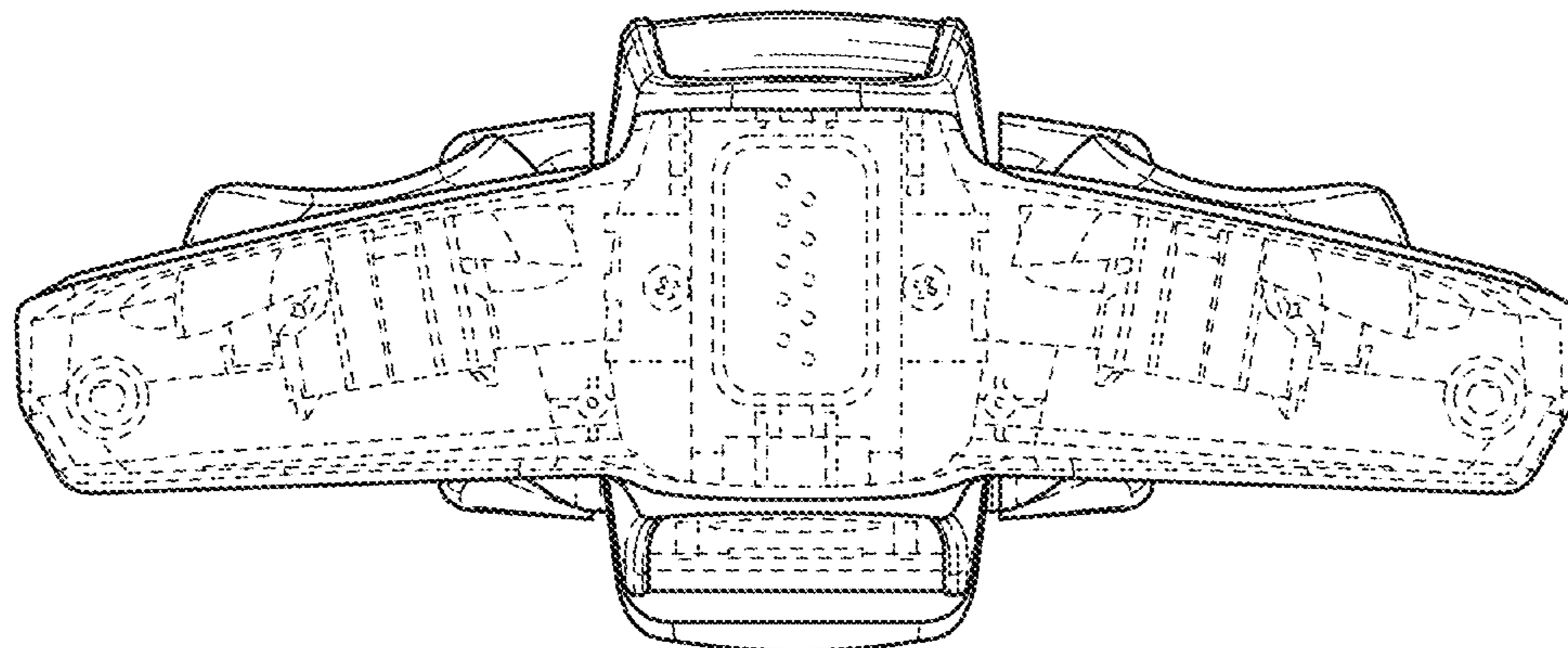


FIG. 14