



US00D972805S

(12) **United States Design Patent** (10) **Patent No.:** **US D972,805 S**
Ho (45) **Date of Patent:** **** Dec. 13, 2022**

(54) **BOAT CART**

(71) Applicant: **Bill Kuo Piao Ho**, Waimanalo, HI (US)

(72) Inventor: **Bill Kuo Piao Ho**, Waimanalo, HI (US)

(**) Term: **15 Years**

(21) Appl. No.: **29/748,655**

(22) Filed: **Aug. 31, 2020**

(51) **LOC (13) Cl.** **12-02**

(52) **U.S. Cl.**
USPC **D34/24**

(58) **Field of Classification Search**
USPC D34/23, 24, 28
CPC B62B 5/0083; B62B 2205/10; B62B
2205/06; B62B 2202/403; B62B 5/067;
(Continued)

(56) **References Cited**

U.S. PATENT DOCUMENTS

- 4,601,481 A * 7/1986 Maurice B63C 13/00
114/344
- 4,602,802 A * 7/1986 Morgan B63B 32/83
114/344

(Continued)

OTHER PUBLICATIONS

Amazon.com Oct. 4, 2022, WIPHANY heavy-gauge black steel-made folding kayak cart dolly, <https://www.amazon.com/WIPHANY-Heavy-Gauge-Steel-Made-Paddleboards-Adjustable/dp/B0B93CGR7L> (Year: 2022).*

Primary Examiner — Cynthia Ramirez

(74) *Attorney, Agent, or Firm* — Keri Ann K. S. Krzykowski; Martin E. Hsia

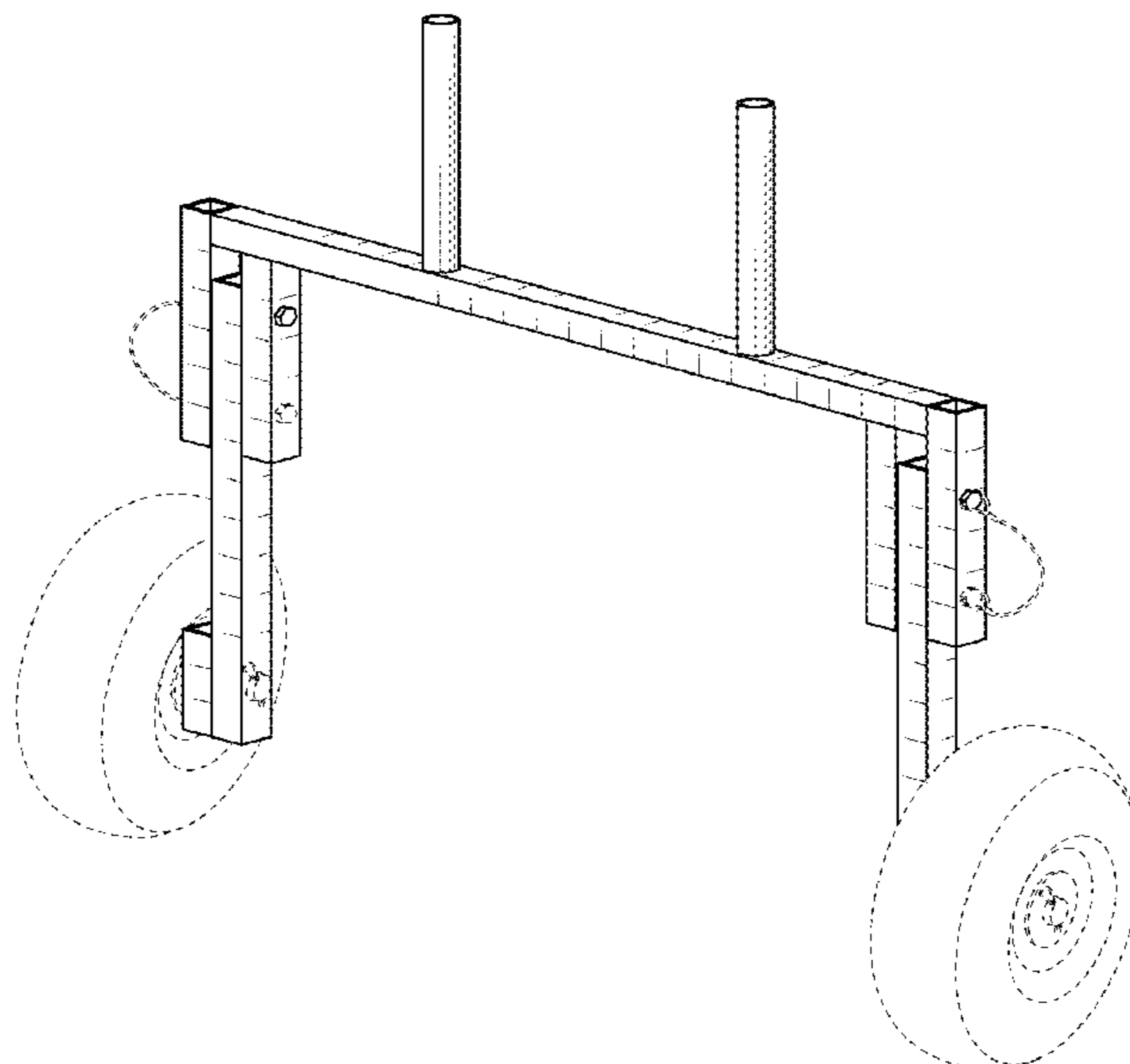
(57) **CLAIM**

The ornamental design for a boat cart, as shown and described.

DESCRIPTION

FIG. 1 is a perspective view of a boat cart from the front, right, showing my new design;
 FIG. 2 is an elevational view thereof from the front, shown in the extended configuration;
 FIG. 3 is an elevational view thereof from the rear, shown in the extended configuration;
 FIG. 4 is an elevational view thereof from the left, shown in the extended configuration;
 FIG. 5 is an elevational view thereof from the right, shown in the extended configuration;
 FIG. 6 is a top plan view thereof, shown in the extended configuration;
 FIG. 7 is a bottom plan view thereof, shown in the extended configuration;
 FIG. 8 is another perspective view thereof from the front, right, shown in the extended configuration, in condition of use;
 FIG. 9 is a perspective view thereof from the front, right, shown upside down in the folded configuration;
 FIG. 10 is an elevational view thereof from the front, shown upside down in the folded configuration;
 FIG. 11 is an elevational view thereof from the rear, shown upside down in the folded configuration;
 FIG. 12 is an elevational view thereof from the left, shown upside down in the folded configuration;
 FIG. 13 is an elevational view thereof from the right, shown upside down in the folded configuration;
 FIG. 14 is a top plan view thereof, shown upside down in the folded configuration;
 FIG. 15 is a bottom plan view thereof, shown upside down in the folded configuration; and,
 FIG. 16 is a perspective view thereof from the front, right, shown in the extended configuration, in condition of use.
 The broken lines in the figures show portions of the boat cart which form no part of the claimed design. Additional broken lines showing a boat in FIGS. 8 and 16 show environment and form no part of the claimed design.

1 Claim, 10 Drawing Sheets



(58) **Field of Classification Search**

CPC .. B62B 1/26; B62B 1/14; B62B 1/268; B62B
2202/24; B62B 2202/42; B63C 13/00
See application file for complete search history.

(56) **References Cited**

U.S. PATENT DOCUMENTS

5,037,118 A * 8/1991 Straube B62B 1/262
D34/24
5,181,731 A * 1/1993 Gustavsen B62B 1/262
D34/24
D550,921 S * 9/2007 McMorris D34/28
D676,623 S * 2/2013 Huntley D34/24
D706,683 S * 6/2014 Cohen D12/101
D720,912 S * 1/2015 Bruch D34/23
9,221,483 B1 * 12/2015 Bruch B62B 1/268
D868,411 S * 11/2019 Kowalski D34/24
D929,067 S * 8/2021 Kowalski D34/24
D934,523 S * 10/2021 Houle D34/23
D965,245 S * 9/2022 Houle D34/23
D965,943 S * 10/2022 Hu D34/23
2007/0187915 A1 * 8/2007 Filiatrault B62B 1/26
280/47.131
2008/0048407 A1 * 2/2008 Privette B62B 5/0003
280/47.331
2008/0061522 A1 * 3/2008 Zimmermann E01C 19/36
280/47.12
2011/0115179 A1 * 5/2011 Roberts B62B 5/0083
280/47.331
2013/0270795 A1 * 10/2013 Tyson B62B 5/0083
280/414.2
2019/0126962 A1 * 5/2019 Brooks B62B 1/264
2019/0126966 A1 * 5/2019 Griffith B62B 5/0033
2019/0217877 A1 * 7/2019 Webber B62B 5/068
2020/0148087 A1 * 5/2020 Leatherman B62B 5/0083

* cited by examiner

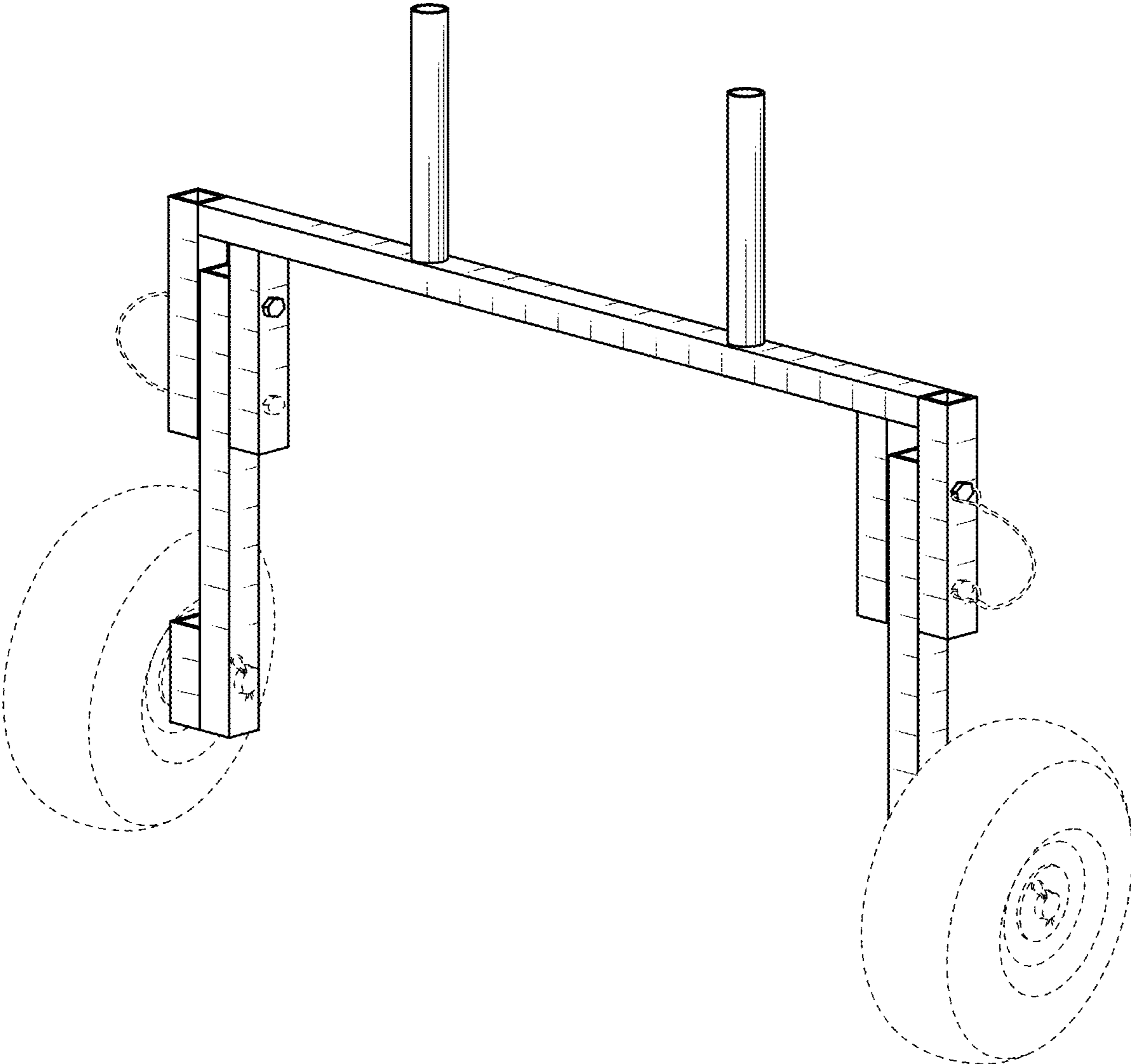


FIG. 1

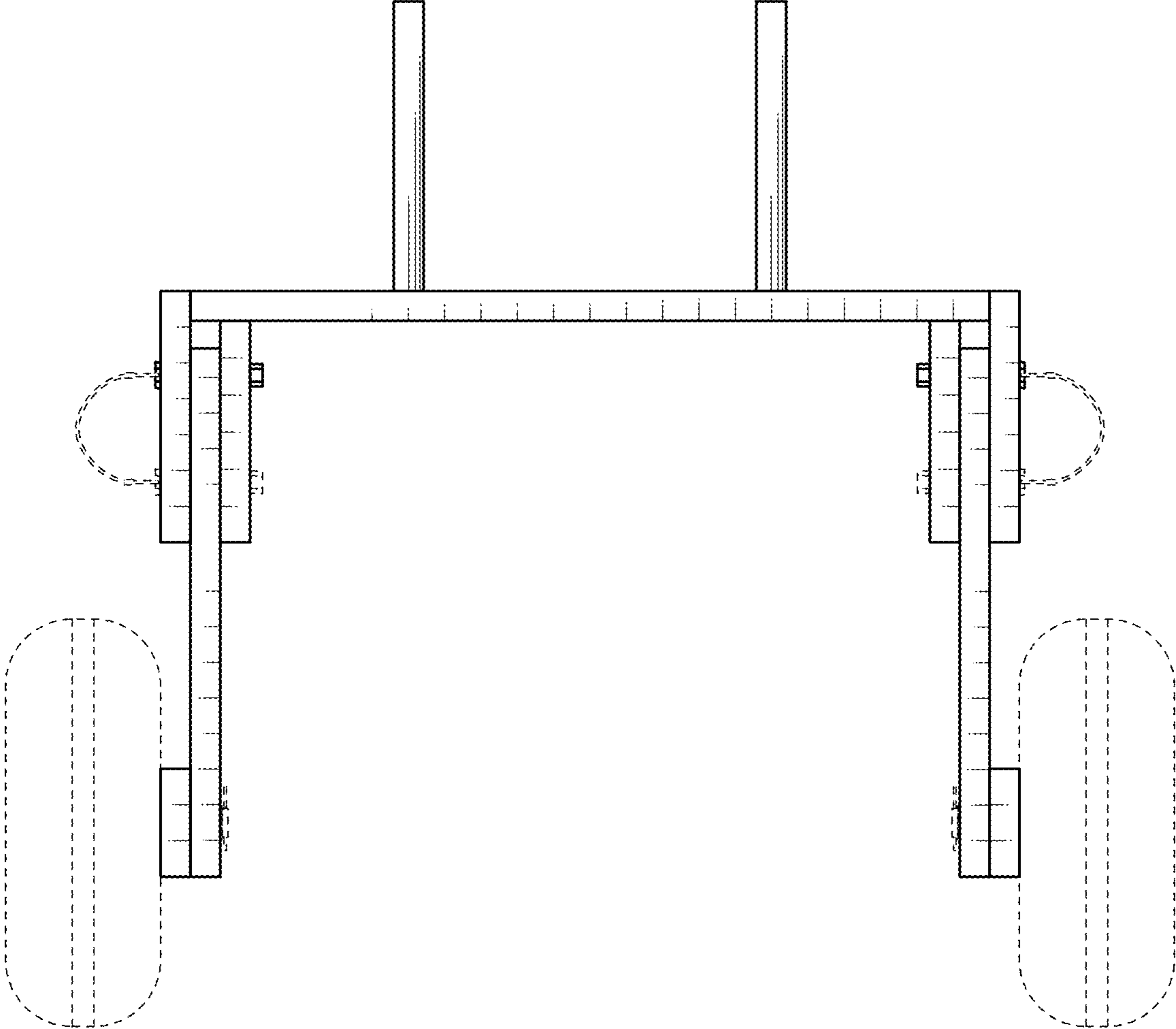


FIG. 2

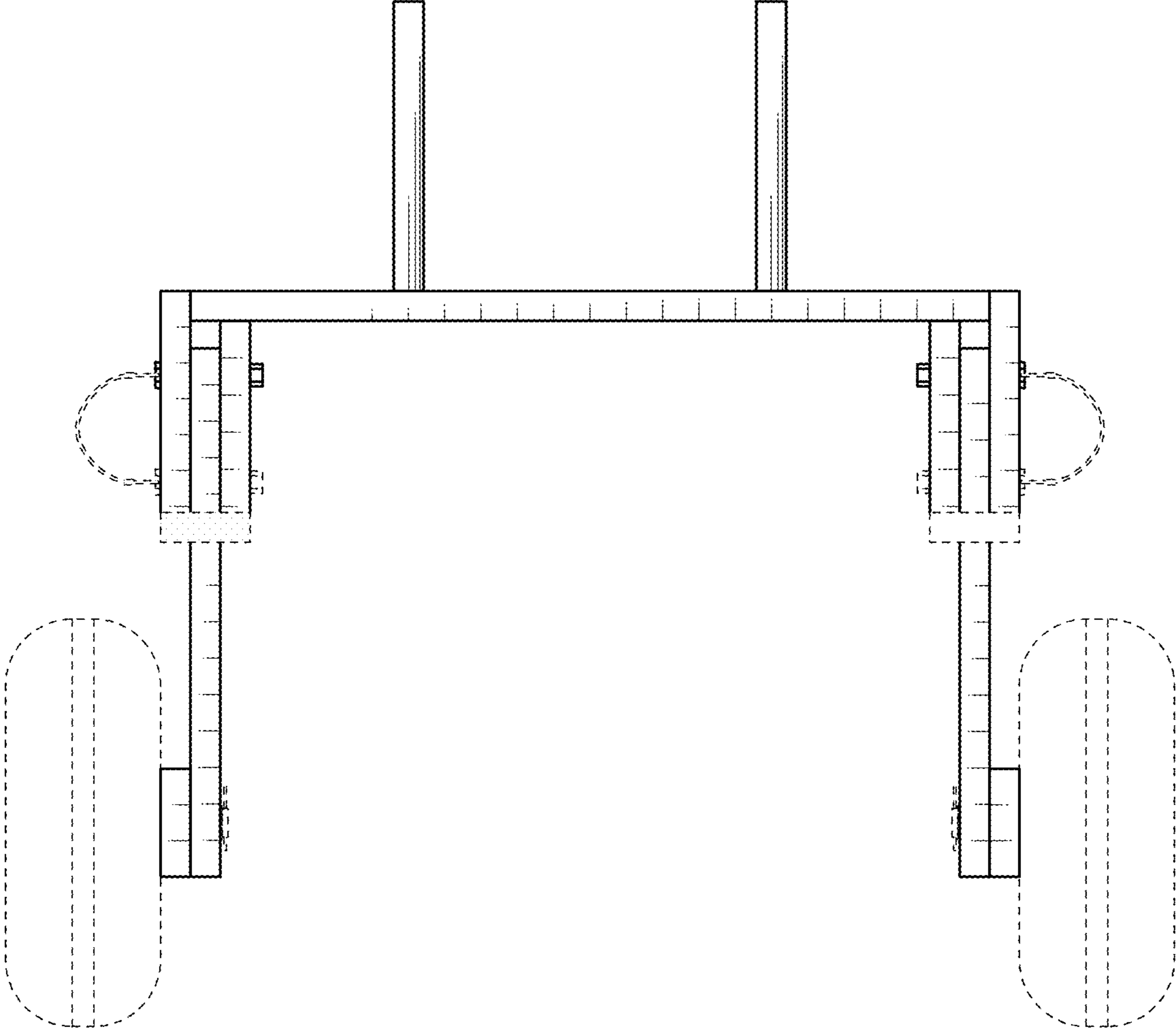


FIG. 3

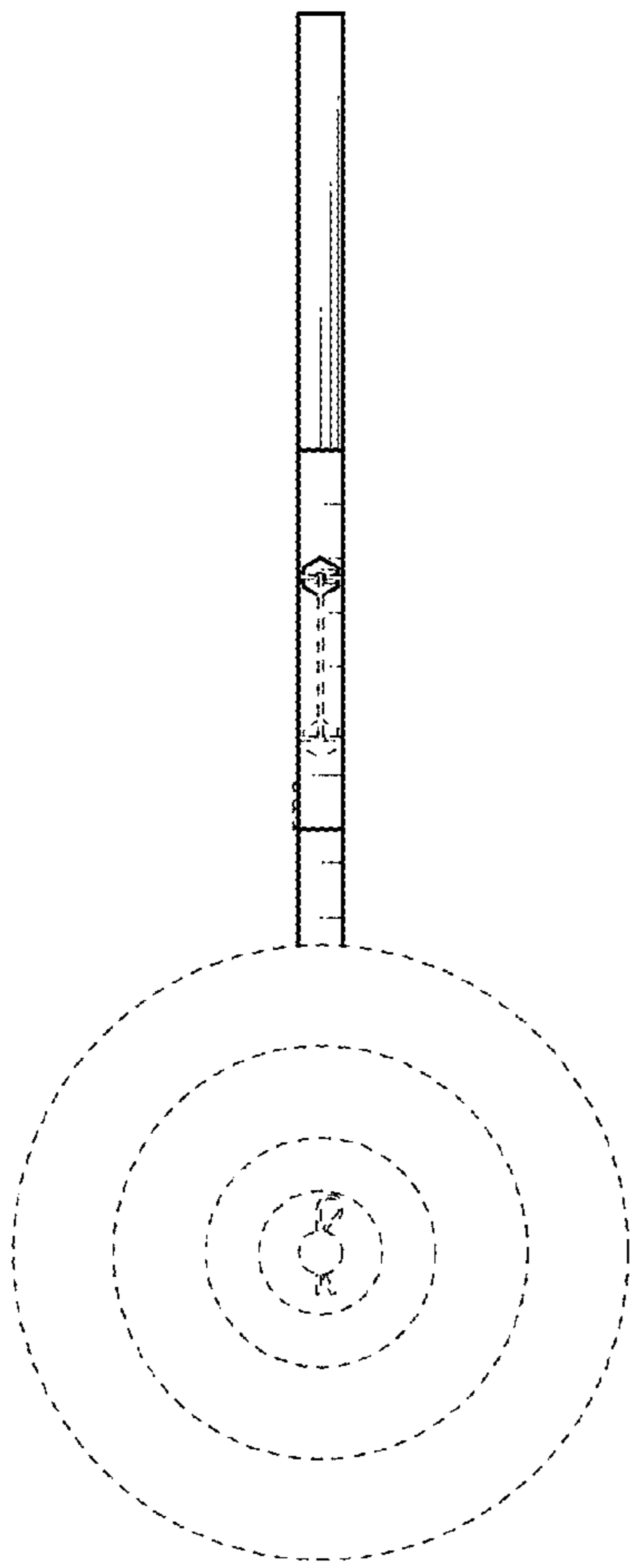


FIG. 4

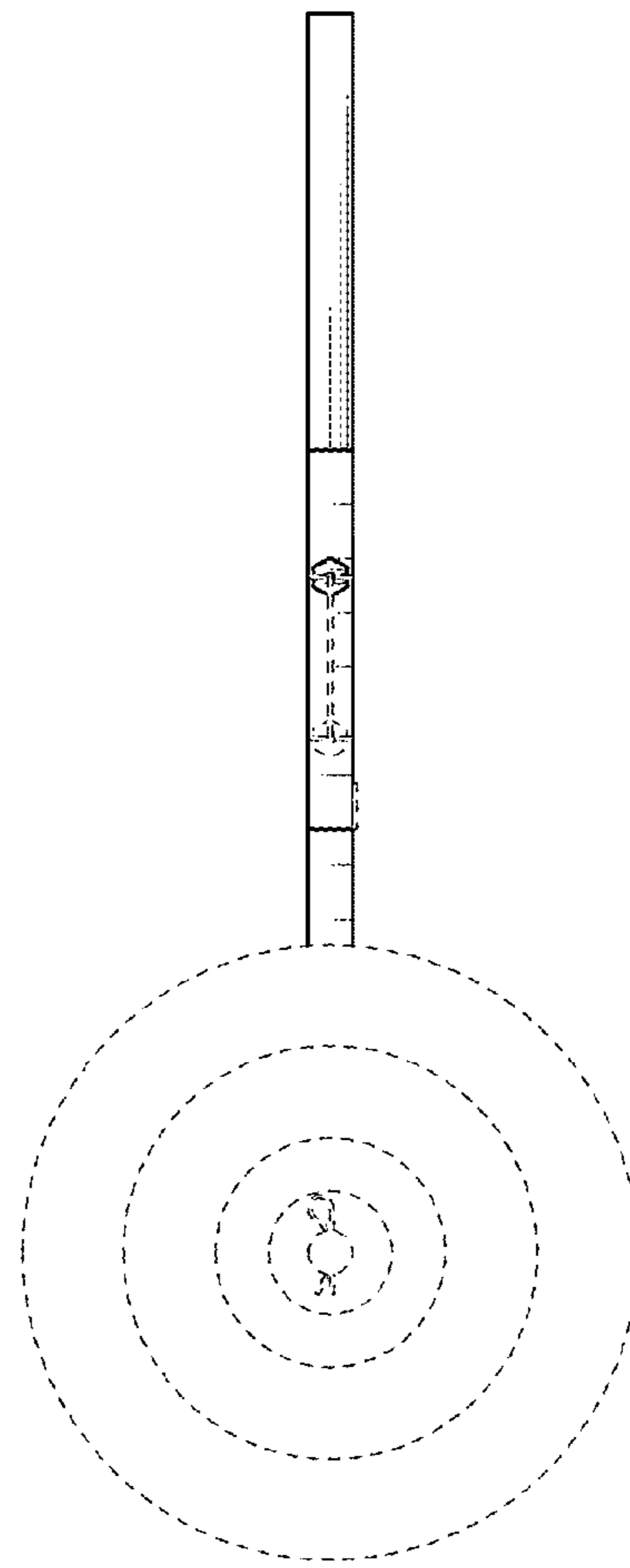


FIG. 5

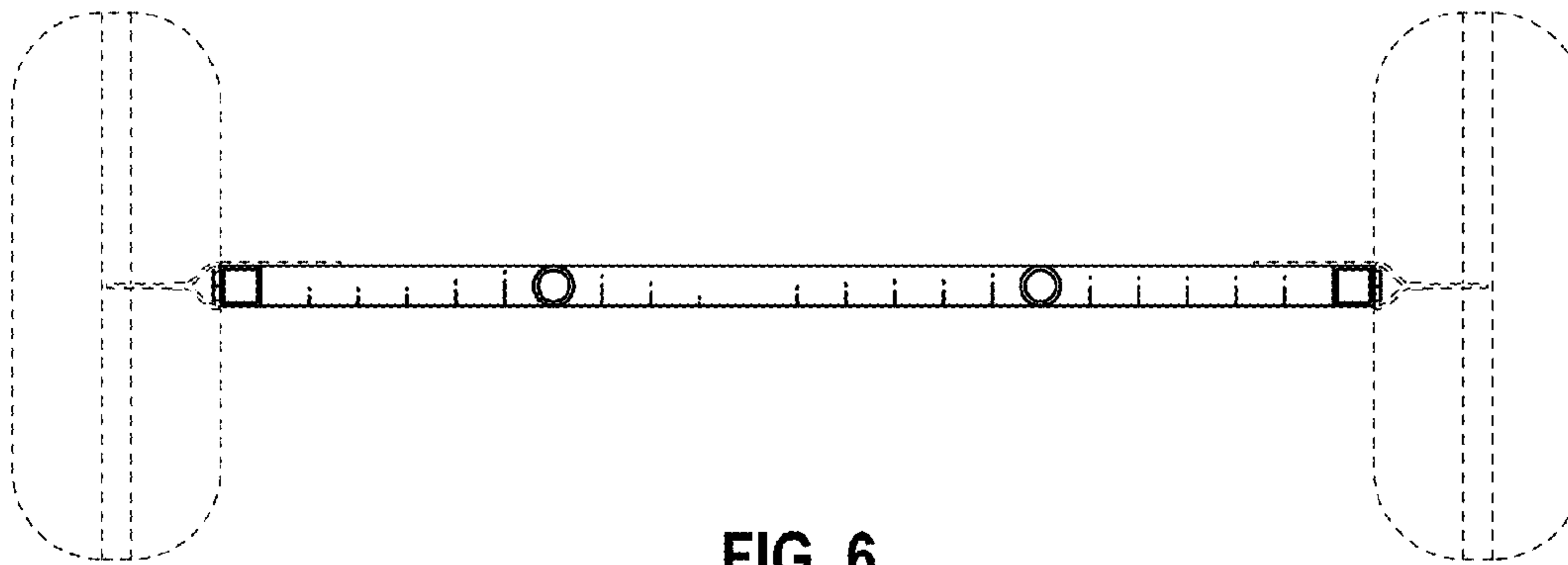


FIG. 6

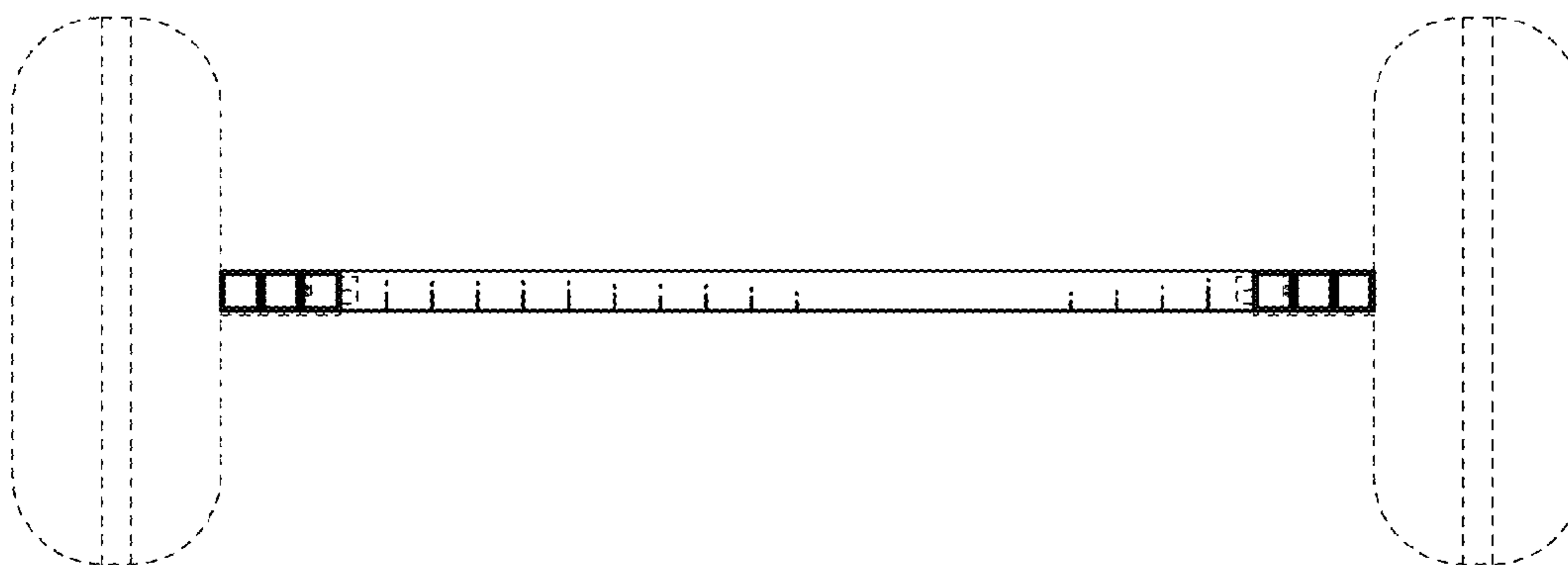


FIG. 7

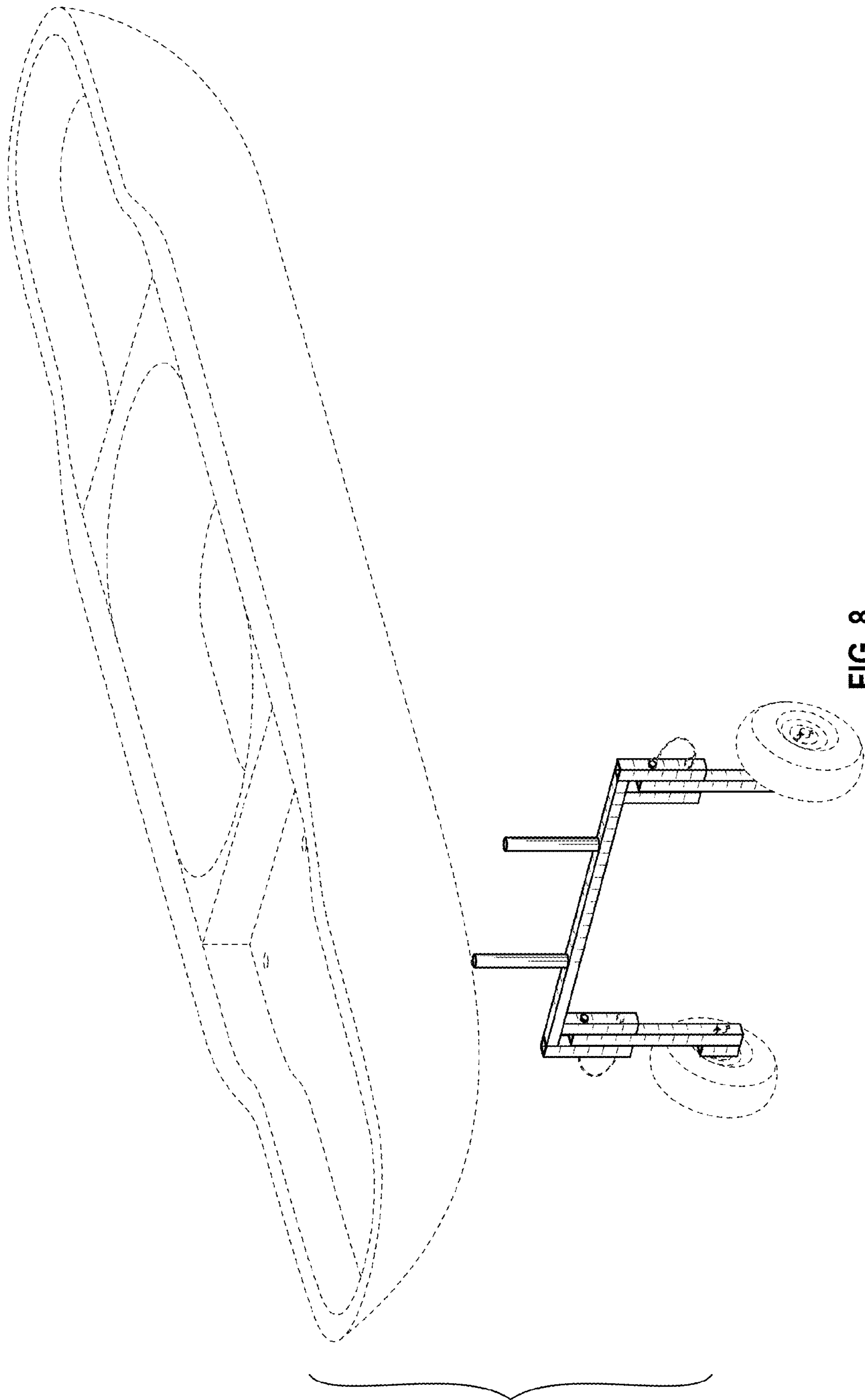


FIG. 8

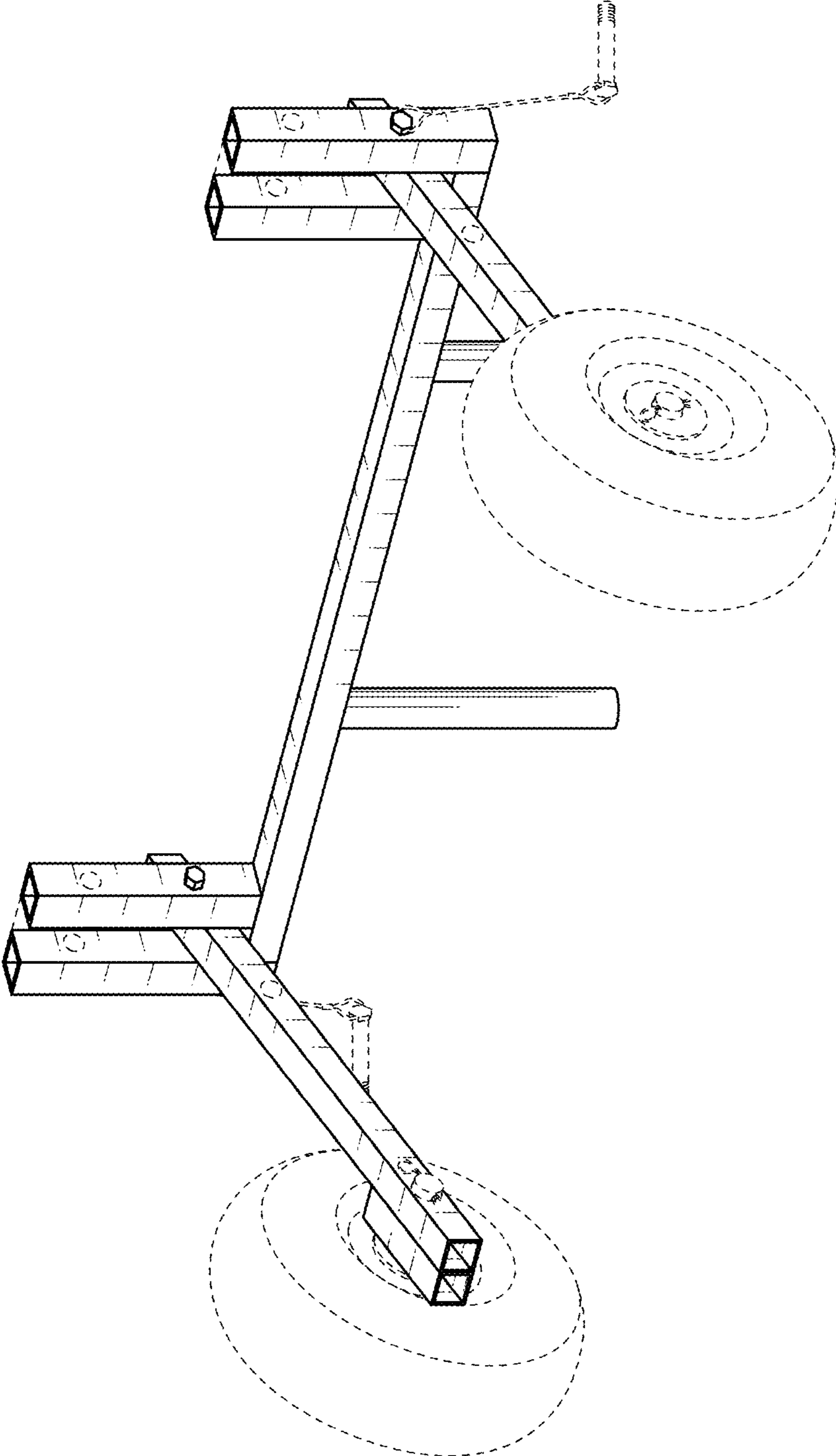


FIG. 9

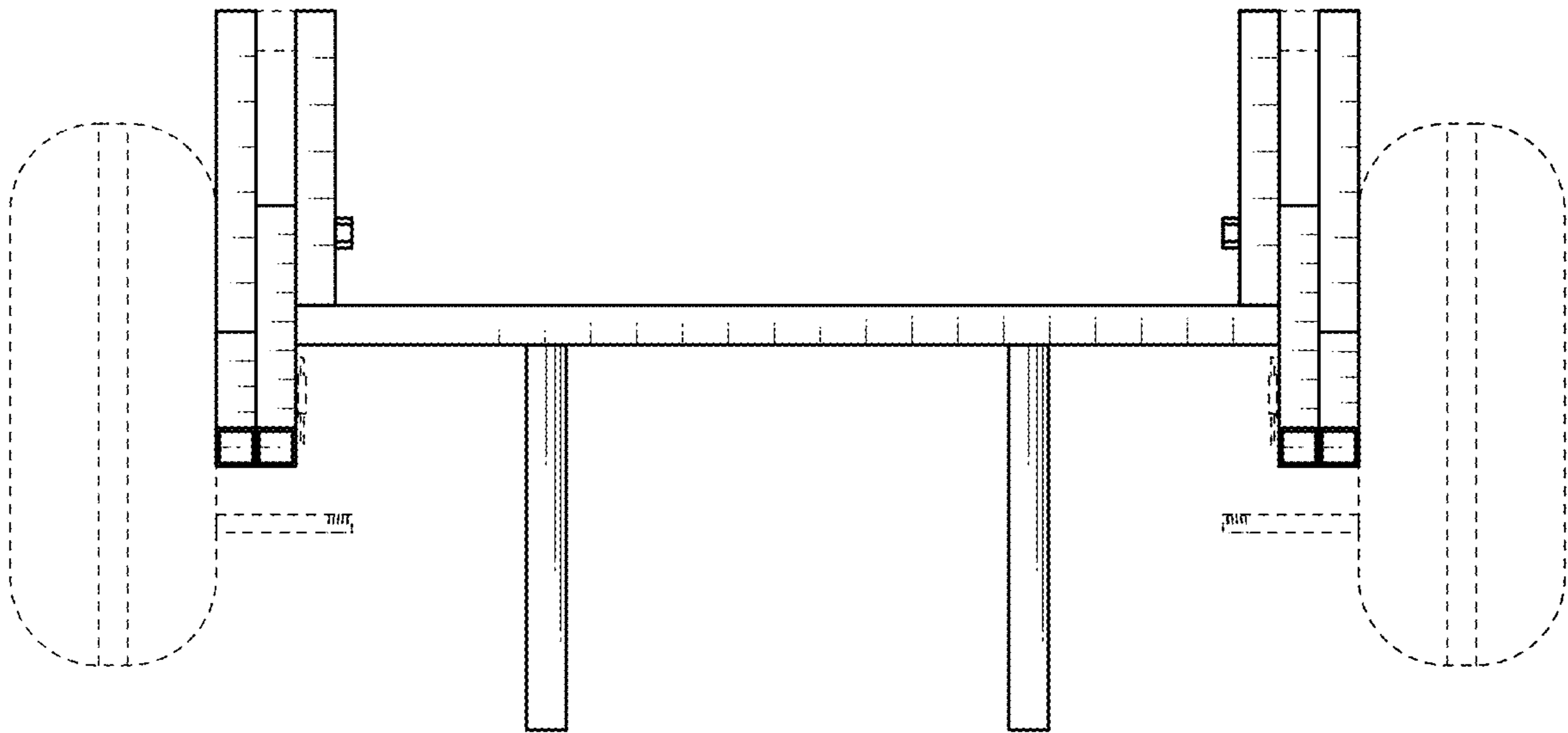


FIG. 10

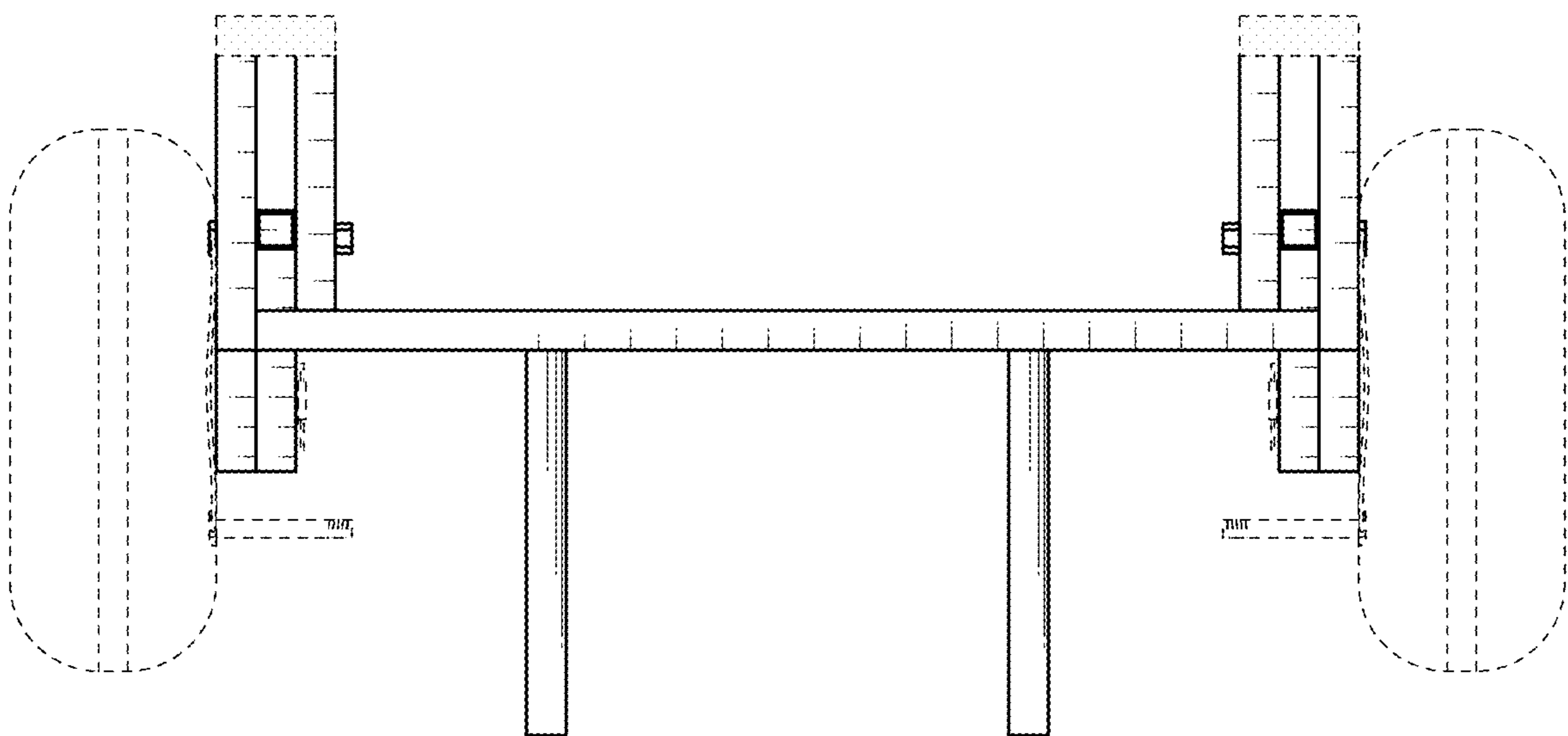


FIG. 11

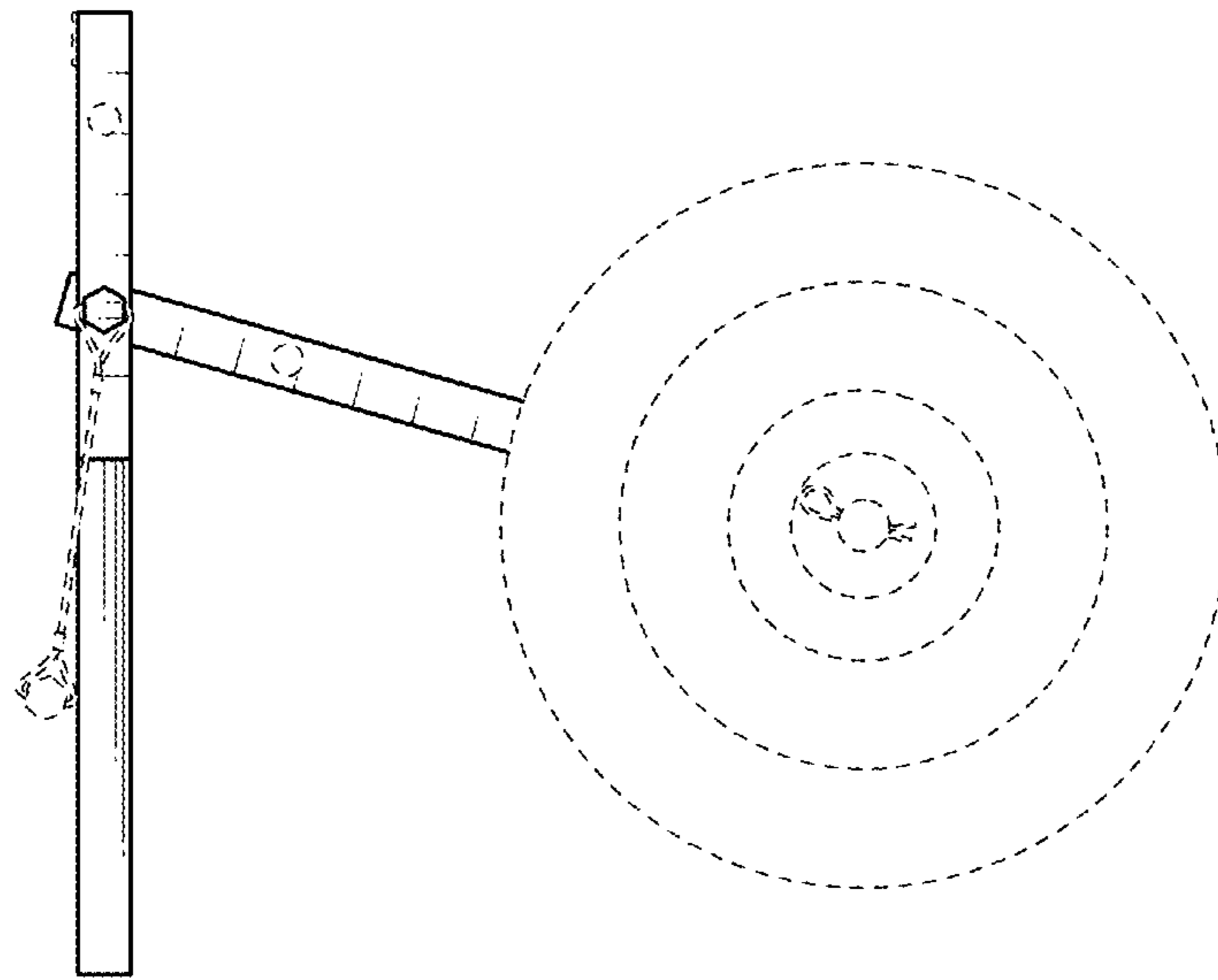


FIG. 12

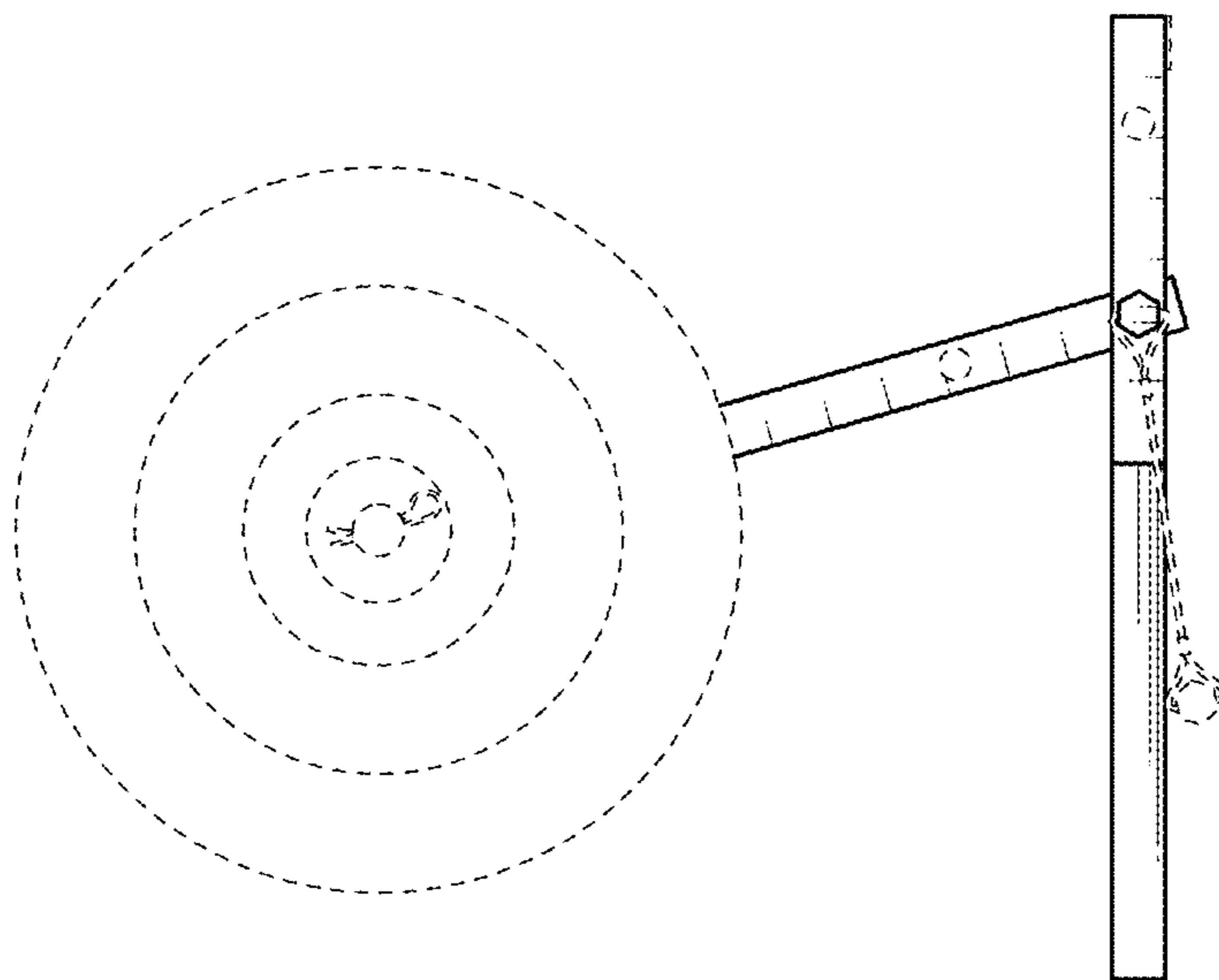


FIG. 13

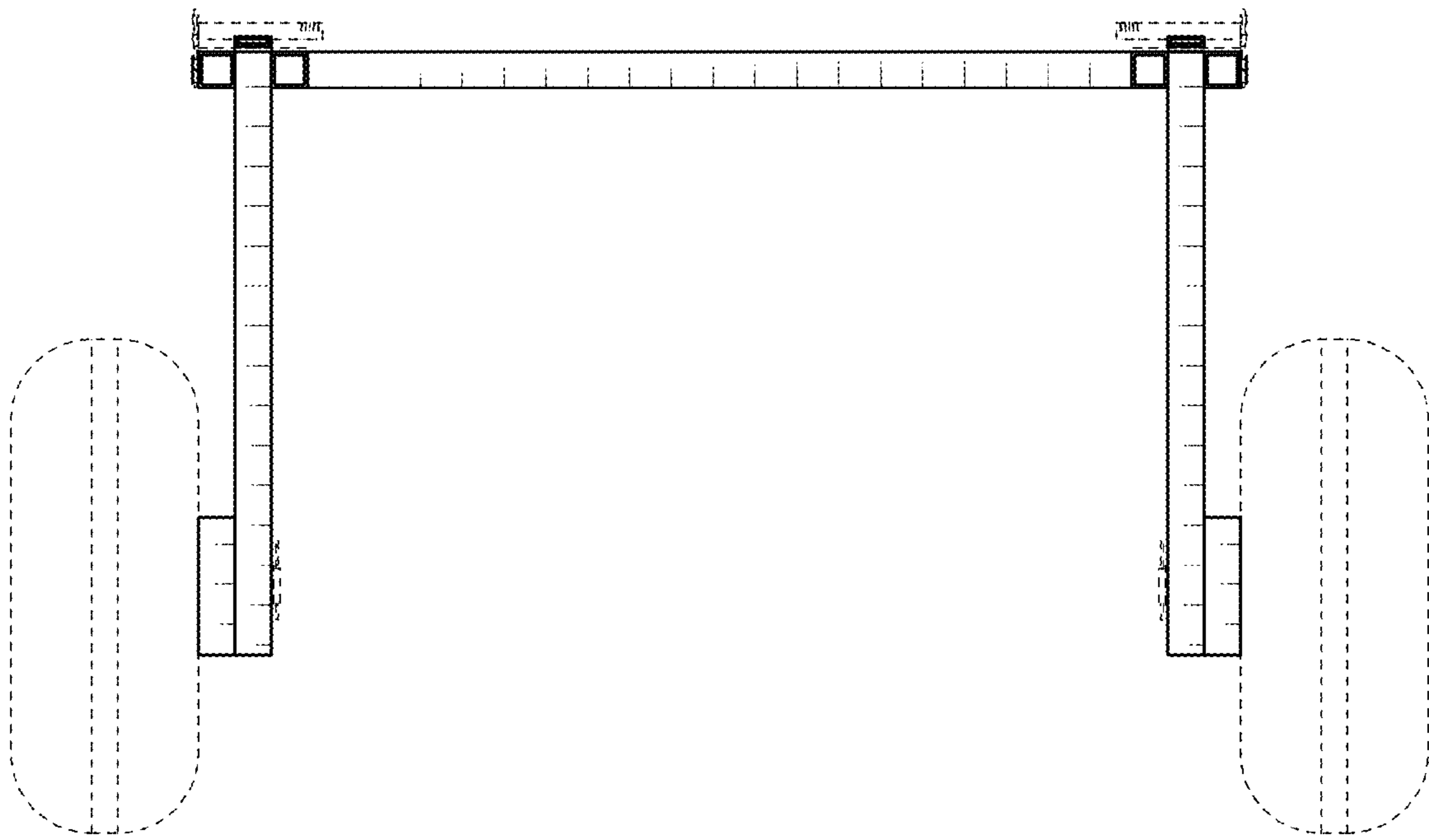


FIG. 14

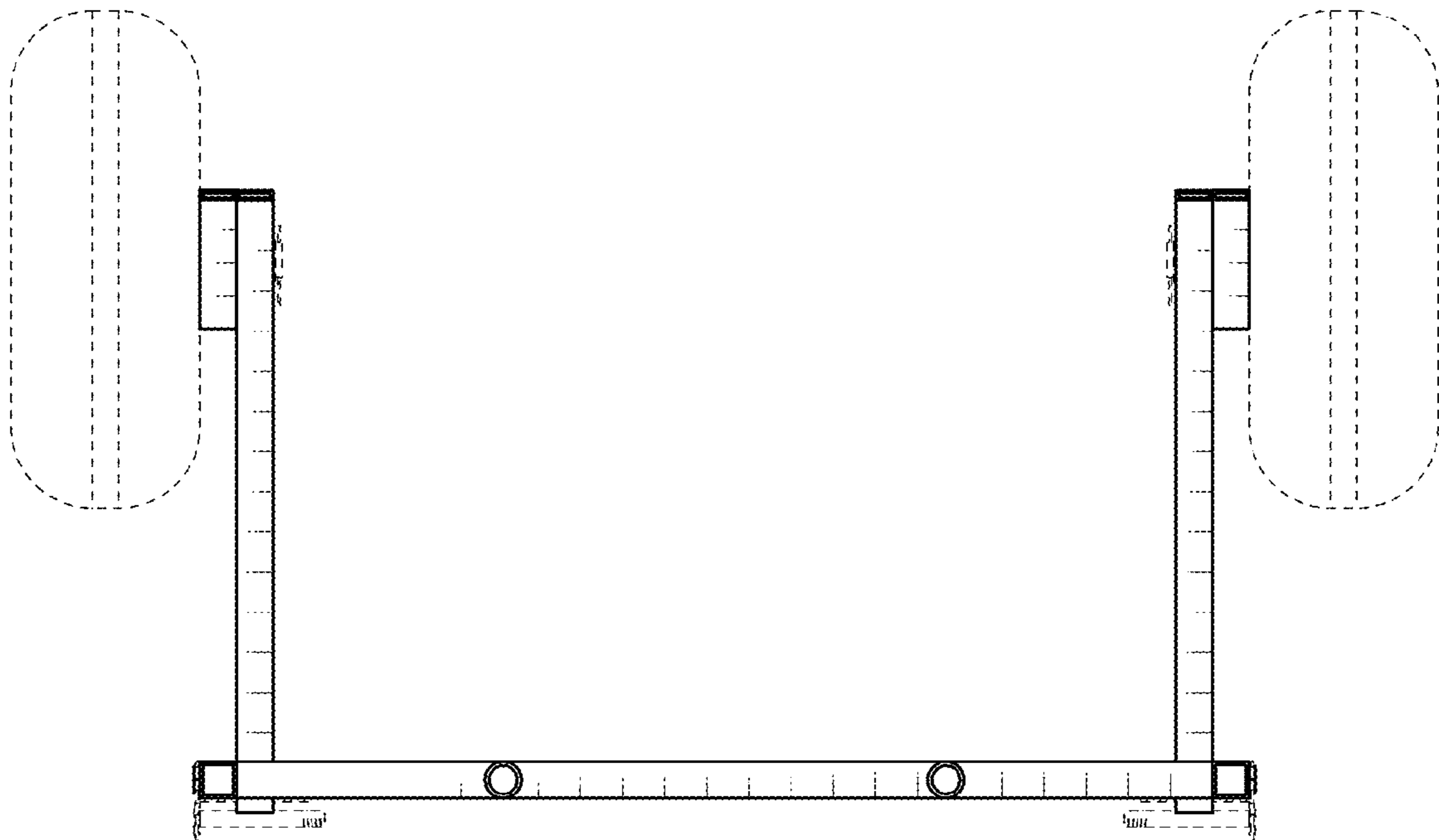


FIG. 15

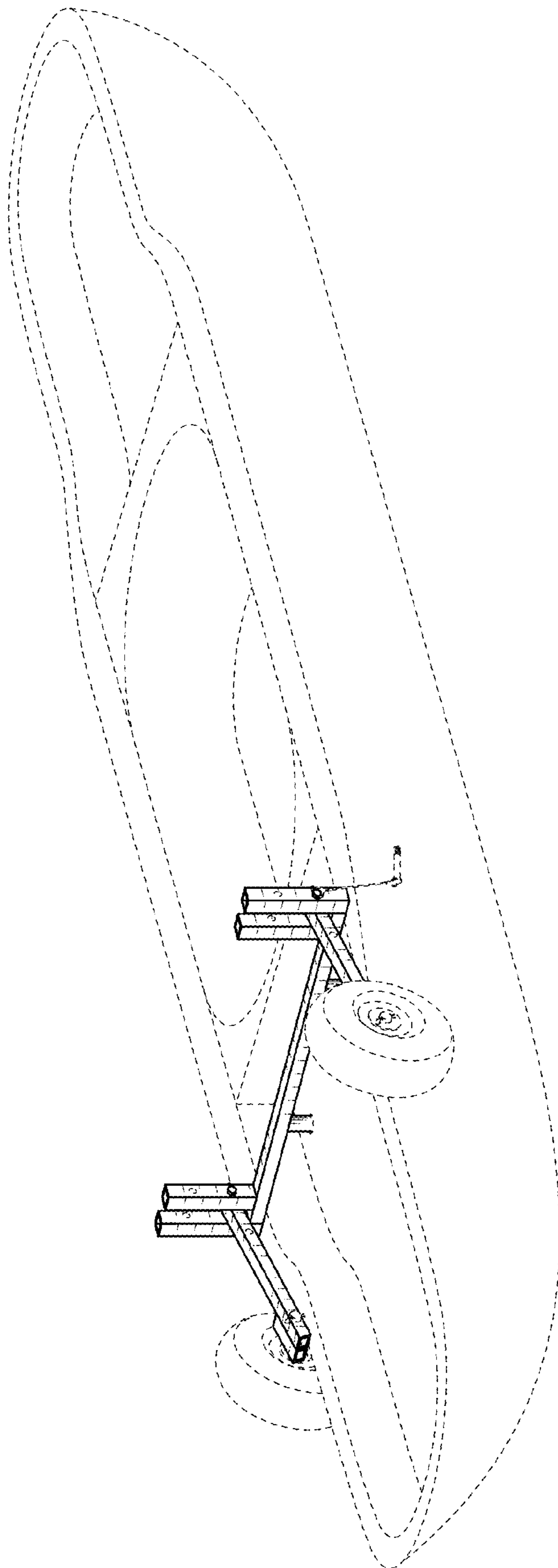


FIG. 16