



US00D972804S

(12) **United States Design Patent**  
**Au et al.**

(10) **Patent No.:** **US D972,804 S**  
(45) **Date of Patent:** **\*\* Dec. 13, 2022**

(54) **CART**

(71) Applicant: **B-O-F CORPORATION**, Aurora, IL (US)

(72) Inventors: **Derek Au**, Aurora, IL (US); **Edwin Albarran**, Chicago, IL (US); **Howard Topping**, Barrington, IL (US); **Julio Rubio**, Joliet, IL (US)

(73) Assignee: **B-O-F CORPORATION**, Aurora, IL (US)

(\*\*) Term: **15 Years**

(21) Appl. No.: **29/836,730**

(22) Filed: **Apr. 28, 2022**

**Related U.S. Application Data**

(62) Division of application No. 29/754,505, filed on Oct. 12, 2020, now Pat. No. Des. 955,083.

(51) **LOC (13) Cl.** ..... **12-02**

(52) **U.S. Cl.**  
USPC ..... **D34/21**

(58) **Field of Classification Search**  
USPC ..... D34/12, 14, 17, 18, 19, 20, 21, 22, 23, D34/24, 25, 26, 27  
CPC ..... B62B 1/00; B62B 1/006; B62B 1/008; B62B 1/10; B62B 1/04; B62B 3/002; B62B 3/006; B62B 3/02; B62B 3/10; B62B 5/003; B62B 5/0083  
See application file for complete search history.

(56) **References Cited**

**U.S. PATENT DOCUMENTS**

D222,633 S \* 11/1971 Carter et al. .... D34/21  
D526,105 S \* 8/2006 Van Es ..... D34/21

D917,822 S 4/2021 Matecki et al.  
D927,818 S 8/2021 Li  
D939,176 S 12/2021 Au et al.  
D955,083 S \* 6/2022 Au ..... D34/21  
D961,884 S \* 8/2022 Au ..... D34/27

**FOREIGN PATENT DOCUMENTS**

IE S20090718 A2 6/2010

\* cited by examiner

*Primary Examiner* — Cynthia Ramirez

*Assistant Examiner* — Tamara L Hahn

(74) *Attorney, Agent, or Firm* — Marshall, Gerstein & Borun LLP

(57) **CLAIM**

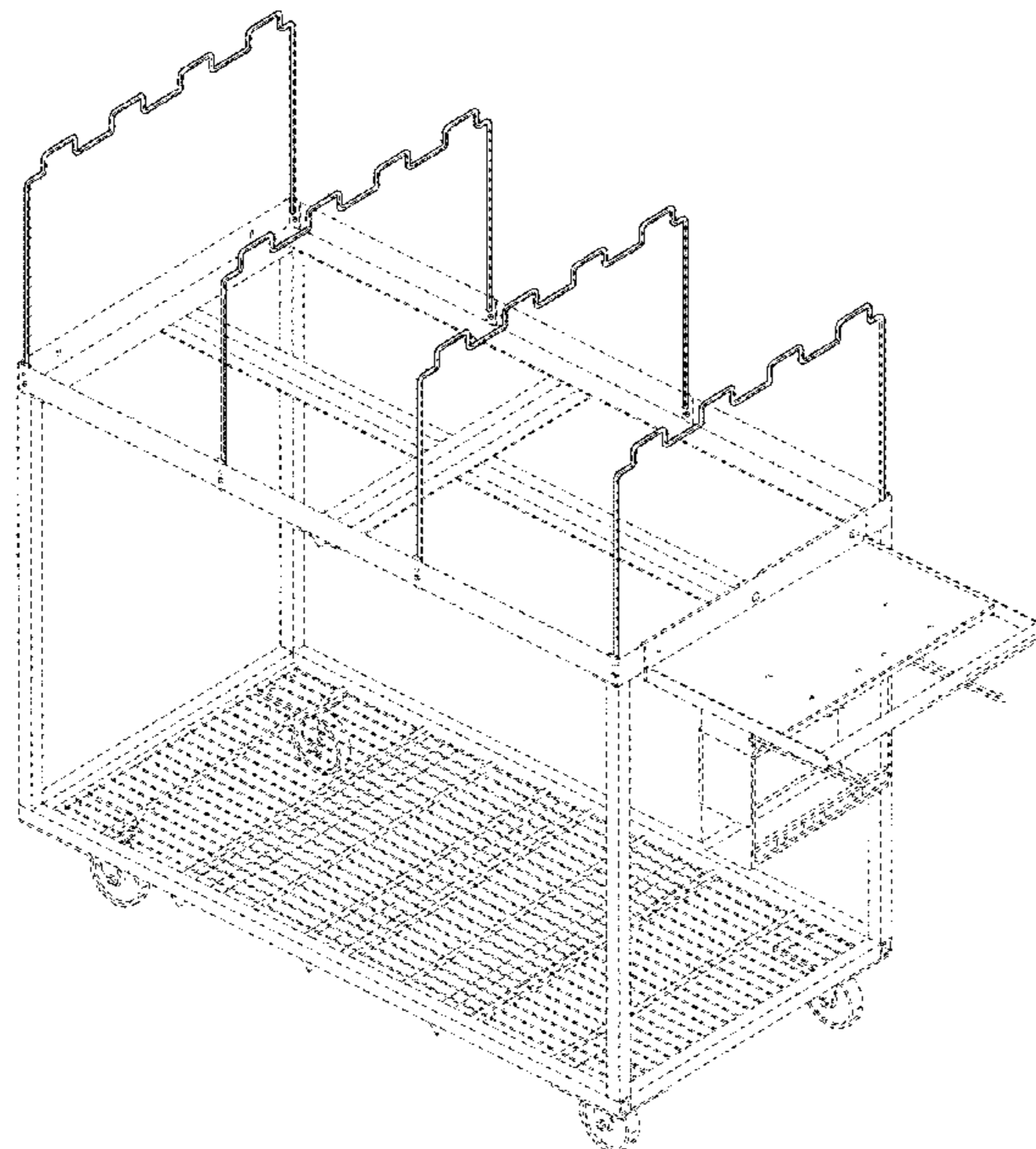
The ornamental design for a cart, as shown and described.

**DESCRIPTION**

FIG. 1 is a top, left, rear isometric view of a cart showing the new design;  
FIG. 2 is a left elevation view of the invention illustrated in FIG. 1;  
FIG. 3 is a right elevation view of the invention illustrated in FIG. 1;  
FIG. 4 is a rear view of the invention illustrated in FIG. 1;  
FIG. 5 is a front view of the invention illustrated in FIG. 1;  
FIG. 6 is a top view of the invention illustrated in FIG. 1; and,  
FIG. 7 is a bottom view of the invention illustrated in FIG. 8.

The broken lines in the drawings depict portions of the cart that form no part of the claimed design.

**1 Claim, 7 Drawing Sheets**



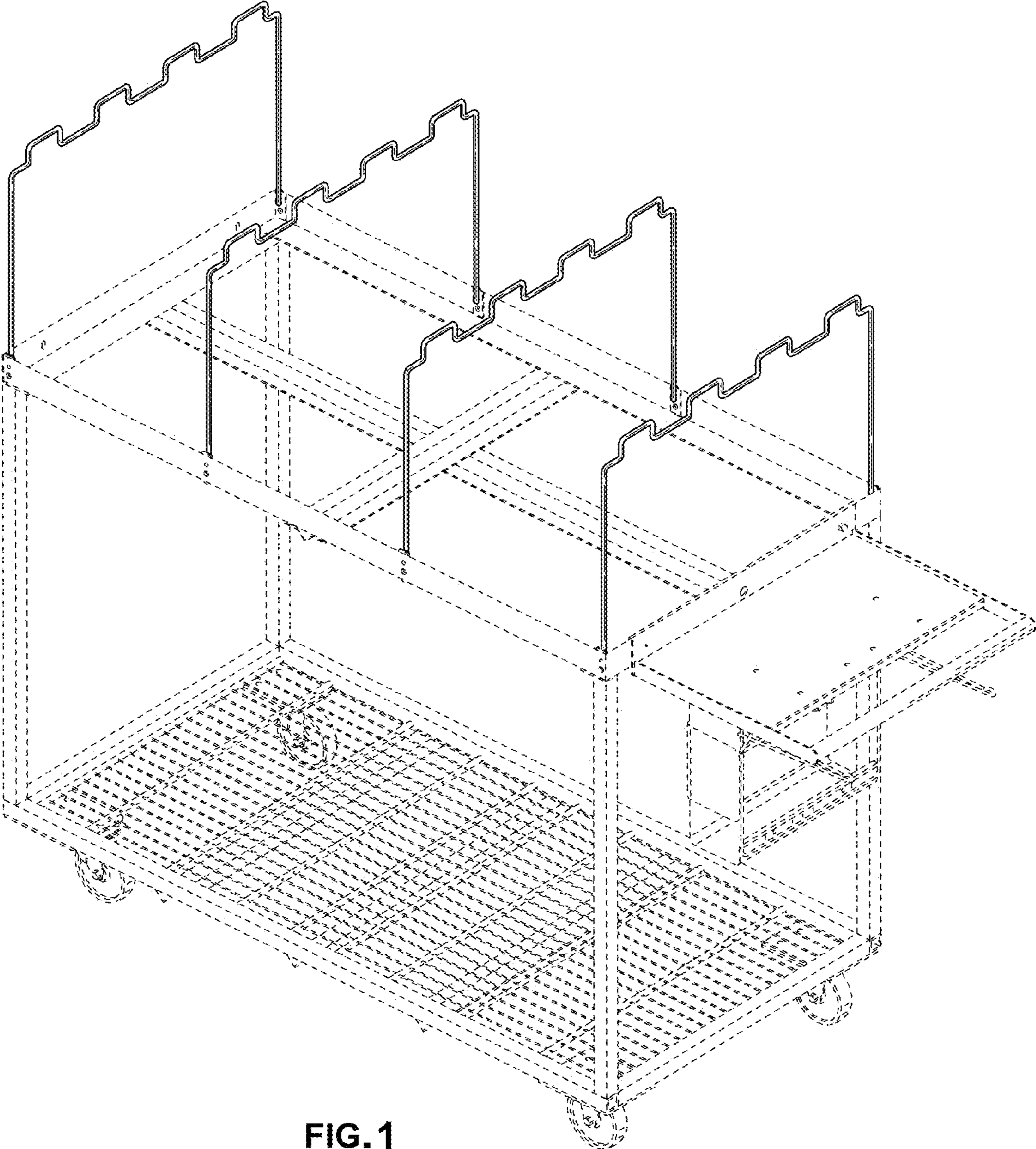


FIG. 1

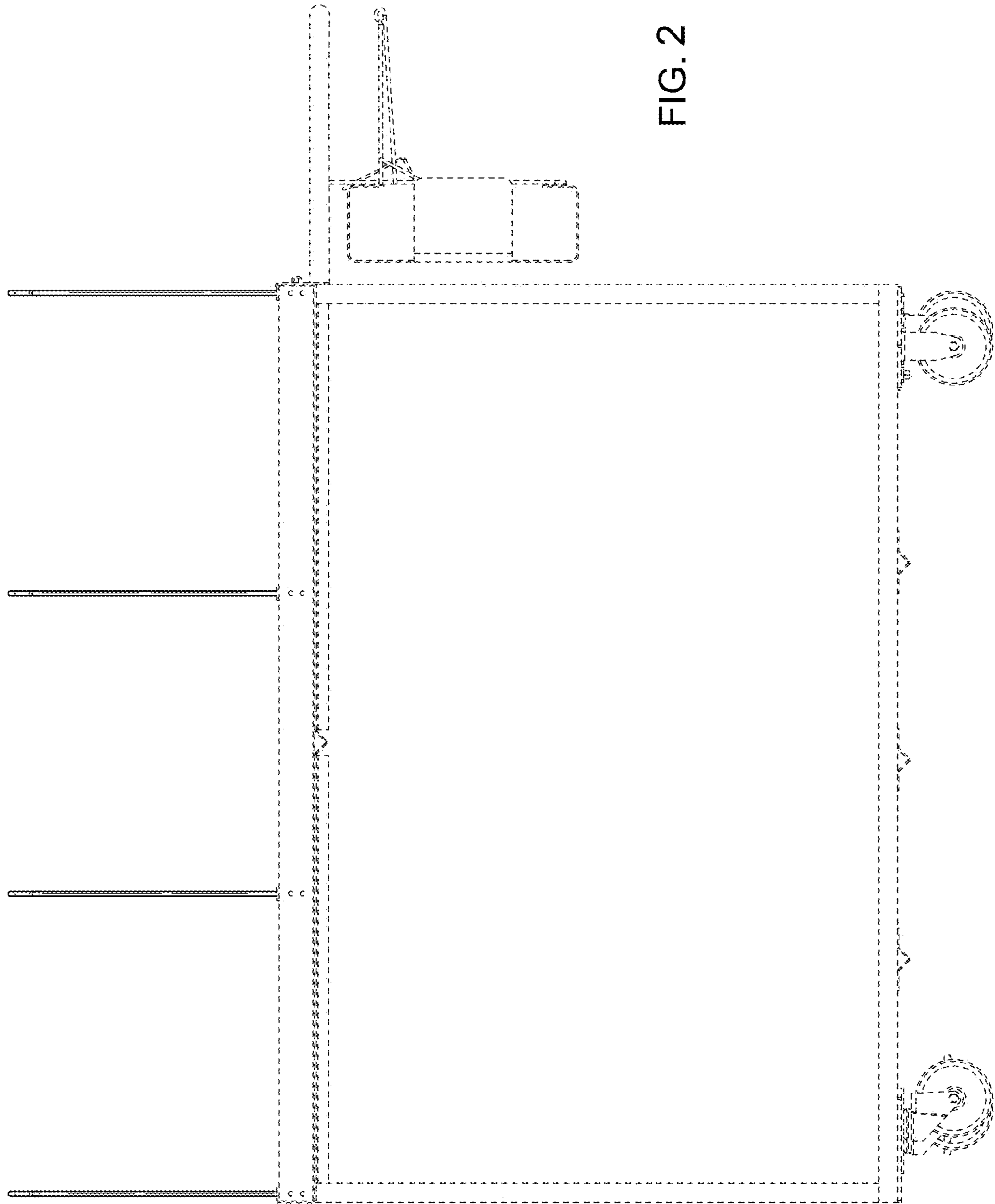
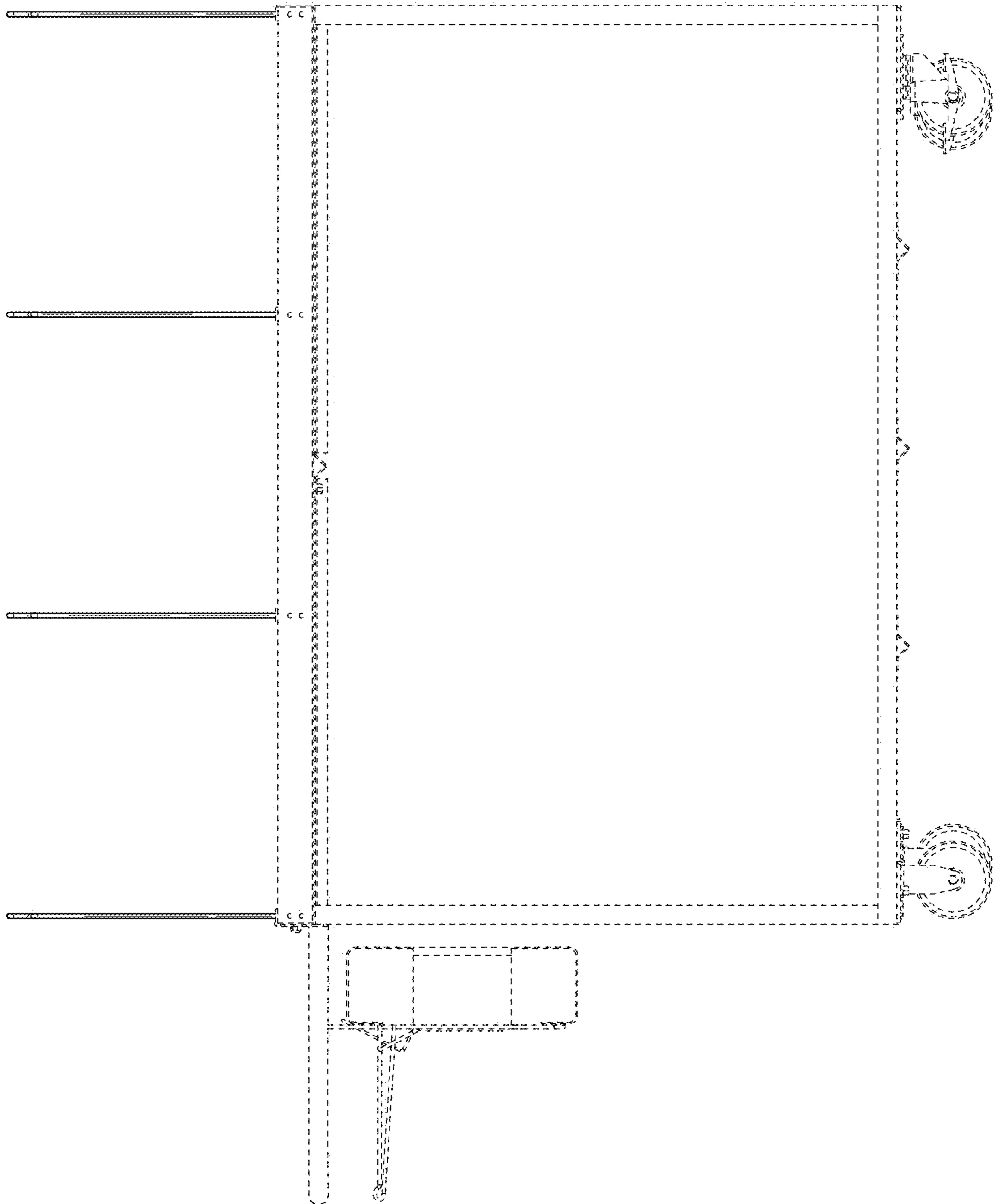


FIG. 2



FIG. 3



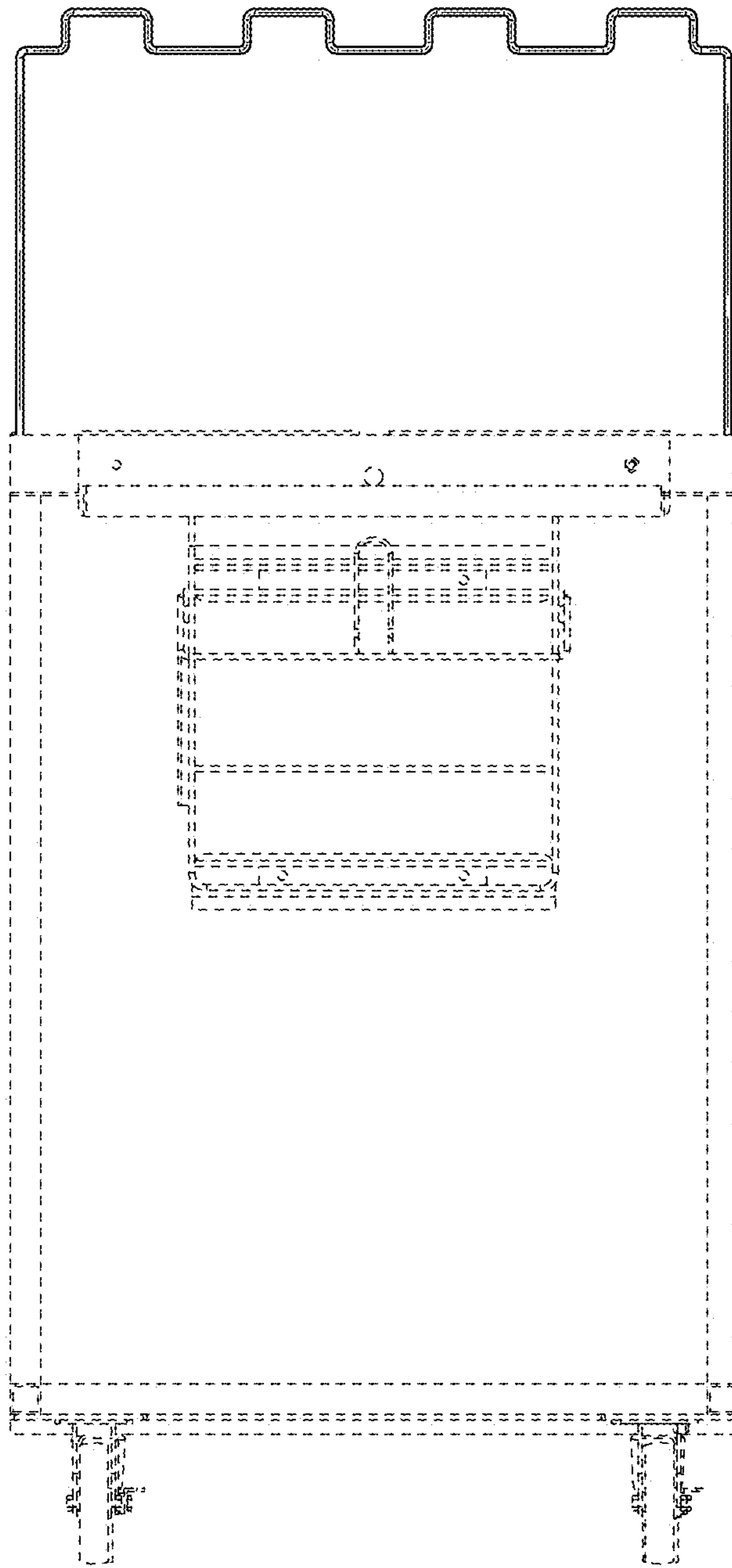


FIG. 4

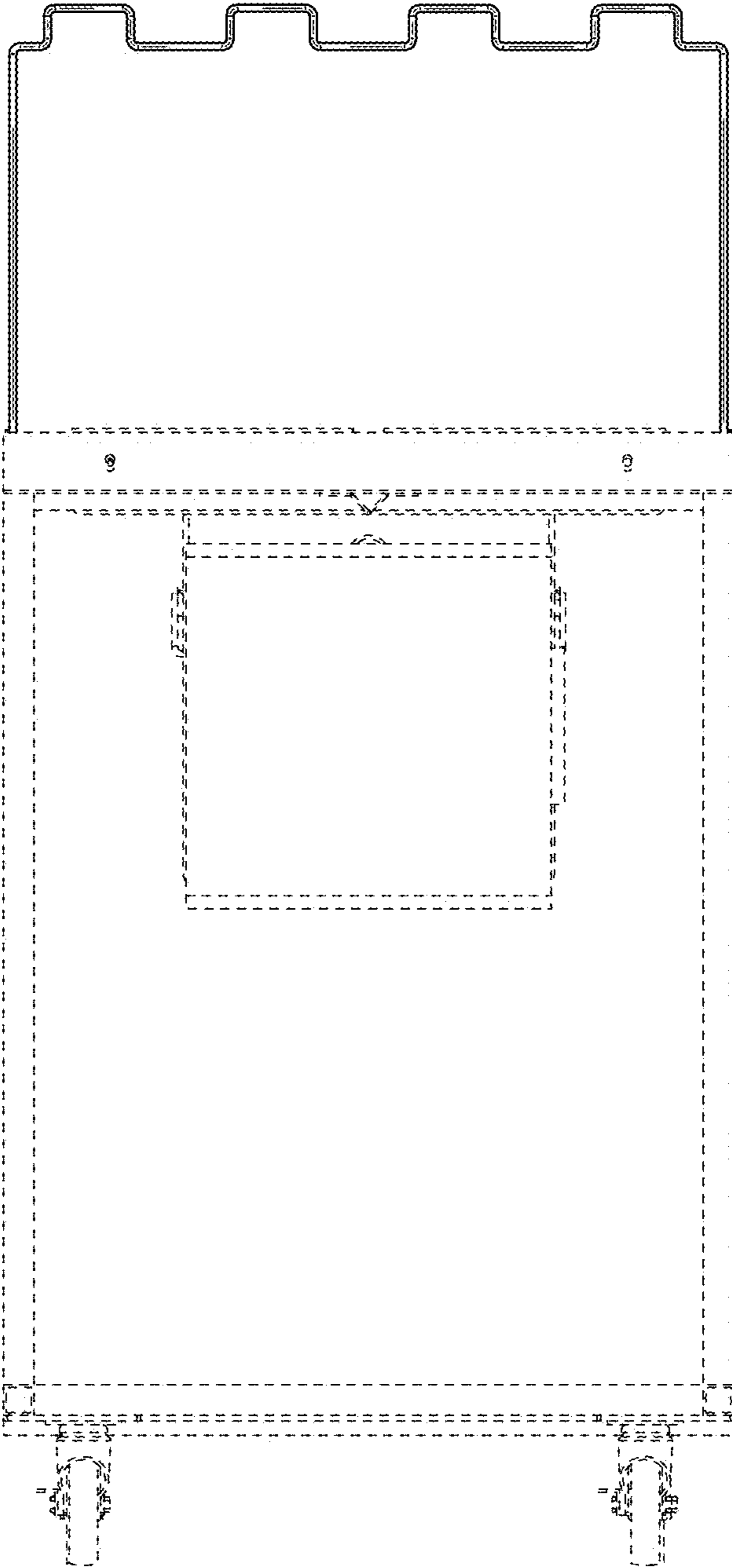


FIG. 5

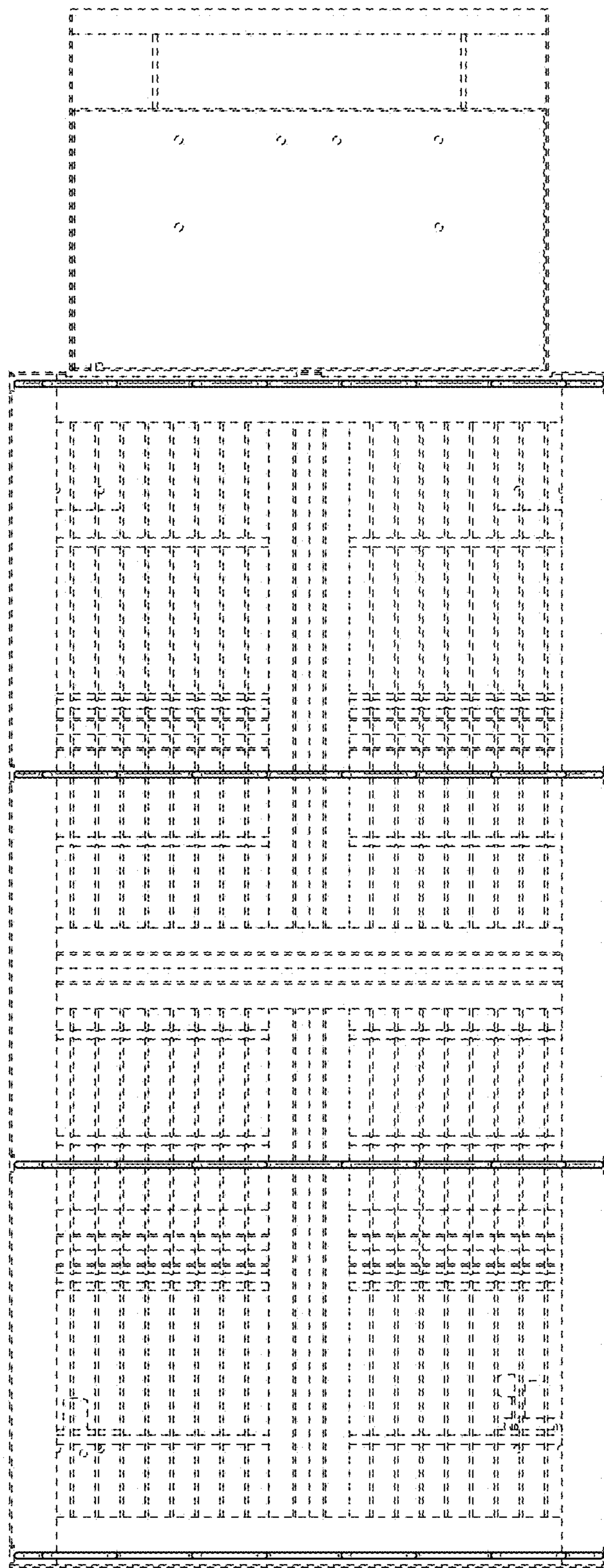


FIG. 6

