



US00D972801S

(12) **United States Design Patent**
Shen

(10) **Patent No.:** **US D972,801 S**

(45) **Date of Patent:** **** Dec. 13, 2022**

(54) **TRASH CAN**

(71) Applicant: **Tongxiang Wojia Trading Co., Ltd.,**
Zhejiang (CN)

(72) Inventor: **Meiqin Shen, Zhejiang (CN)**

(73) Assignee: **Tongxiang Wojia Trading Co., Ltd.,**
Zhejiang (CN)

(**) Term: **15 Years**

(21) Appl. No.: **29/842,784**

(22) Filed: **Jun. 15, 2022**

(51) **LOC (13) Cl.** **09-09**

(52) **U.S. Cl.**
USPC **D34/1; D34/6**

(58) **Field of Classification Search**
USPC D34/1, 2, 4, 5, 6; D19/82; D99/37;
D32/37, 53; D11/149, 152; D21/703,
D21/705
CPC B65F 1/06; B65F 1/067; B65F 1/1607;
B65F 1/163; B65F 1/062; B65F 1/1623
See application file for complete search history.

(56) **References Cited**

U.S. PATENT DOCUMENTS

- D391,722 S * 3/1998 Sheppard D34/5
- 6,152,407 A * 11/2000 McKenzie B65F 1/06
248/97
- 6,267,334 B1 * 7/2001 Siu B65B 67/1211
248/97
- 6,460,814 B1 * 10/2002 Bolick B65B 67/1227
248/95
- D499,450 S * 12/2004 Goodman D34/1

- D542,000 S 5/2007 Miller
- D621,117 S * 8/2010 Picard D34/6
- D648,912 S * 11/2011 Cantu D34/6
- D699,014 S * 2/2014 Lohrke D34/5
- D935,124 S * 11/2021 Chen D34/6
- D942,540 S * 2/2022 Zhou D19/82
- D954,378 S 6/2022 Whitehead et al.
- D957,081 S * 7/2022 Chen D34/5

* cited by examiner

Primary Examiner — Cynthia Ramirez

(74) *Attorney, Agent, or Firm* — ScienBiZiP, P.C.

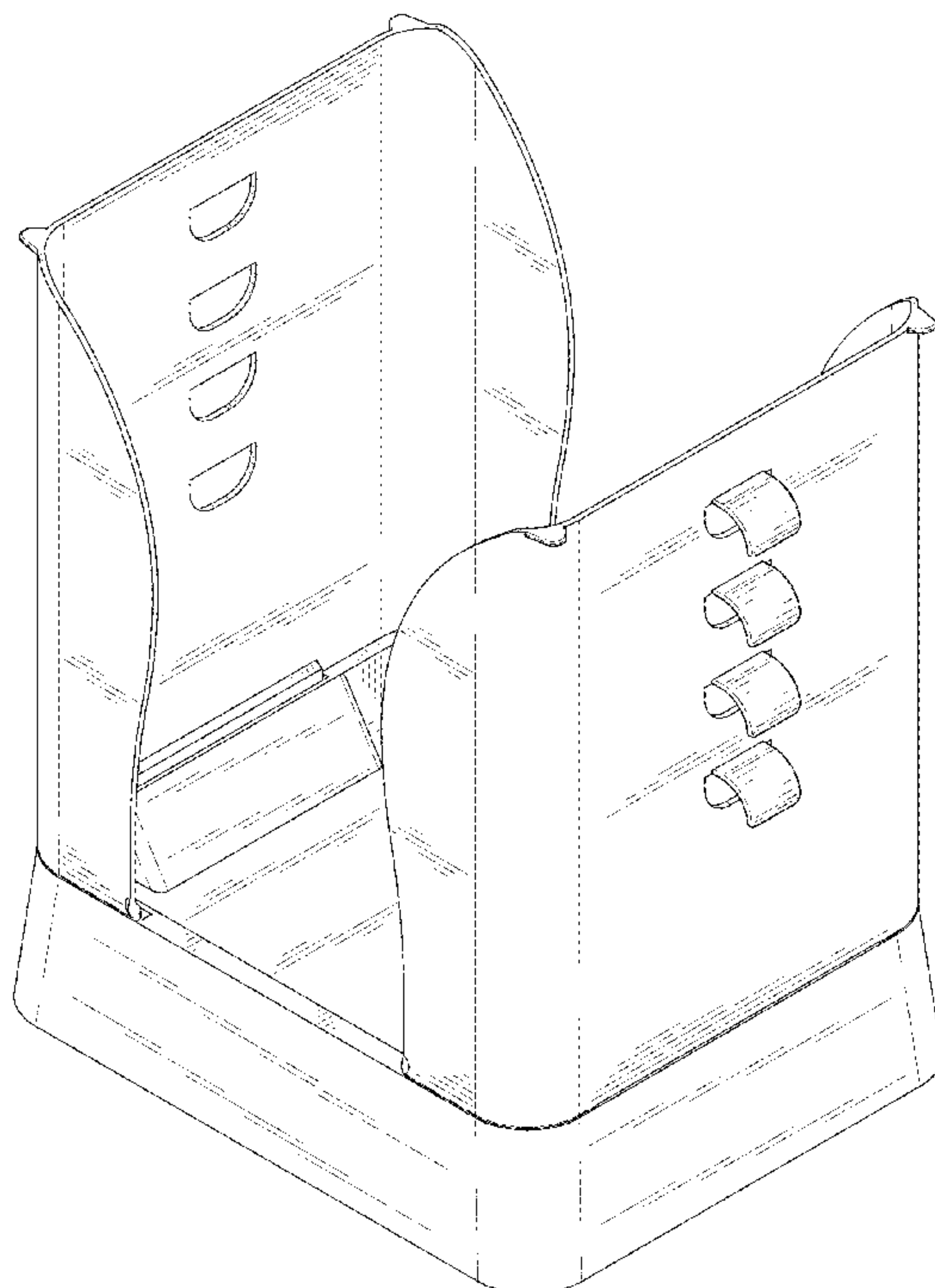
(57) **CLAIM**

The ornamental design for a trash can, as shown and described.

DESCRIPTION

FIG. 1 is a front, right and top perspective view of a trash can, showing my design.
 FIG. 2 is a rear, left and bottom perspective view thereof.
 FIG. 3 is a front elevation view thereof.
 FIG. 4 is a rear elevation view thereof.
 FIG. 5 is a left side elevation view thereof.
 FIG. 6 is a right side elevation view thereof.
 FIG. 7 is a top plan view thereof.
 FIG. 8 is a bottom plan view thereof; and,
 FIG. 9 is another front, right and top perspective view of the trash can in FIG. 1 in another state.
 The broken lines shown in the drawings are included for the purpose of illustrating portions of the trash can that form no part of the claimed design.

1 Claim, 9 Drawing Sheets



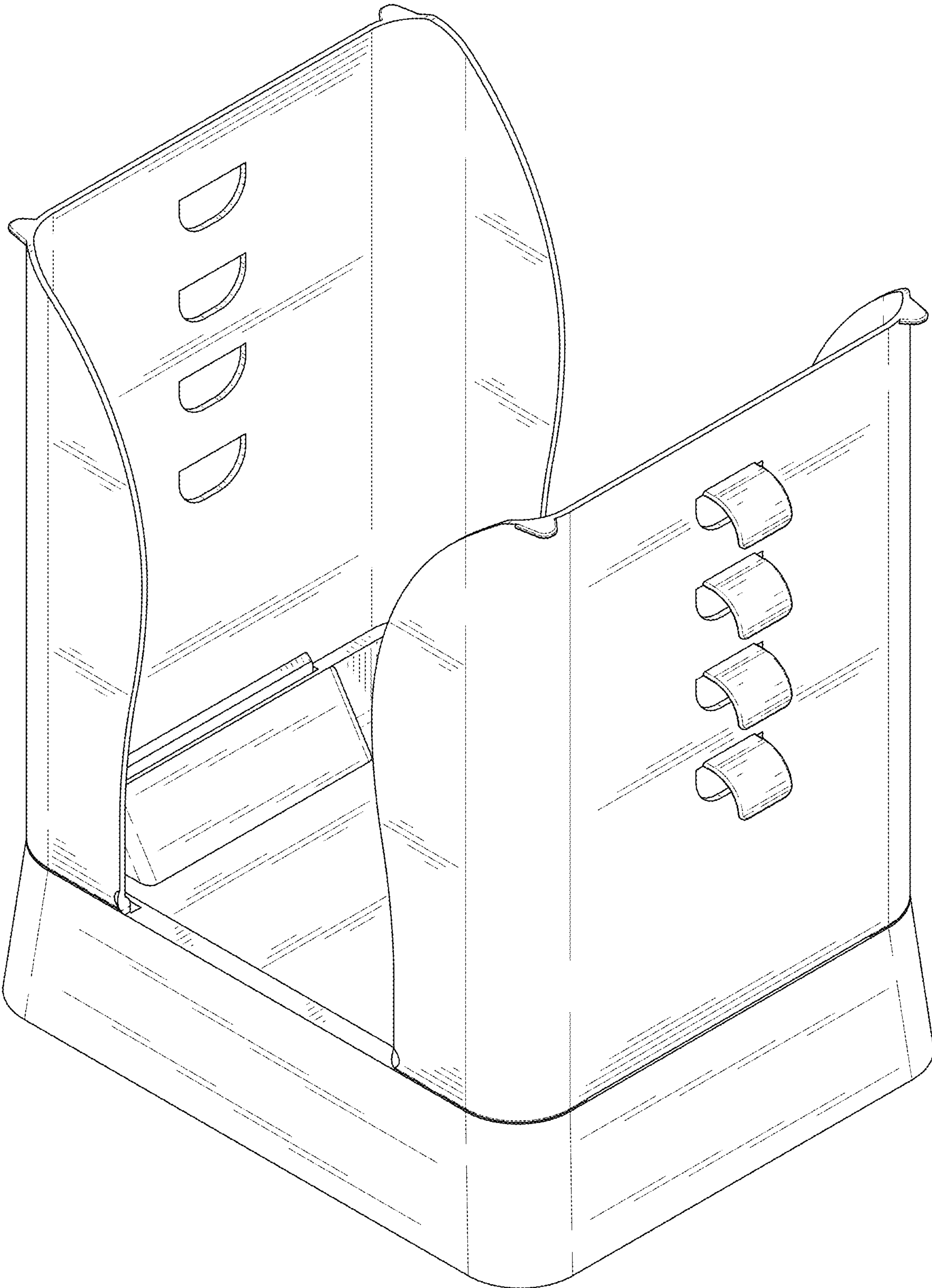


FIG. 1

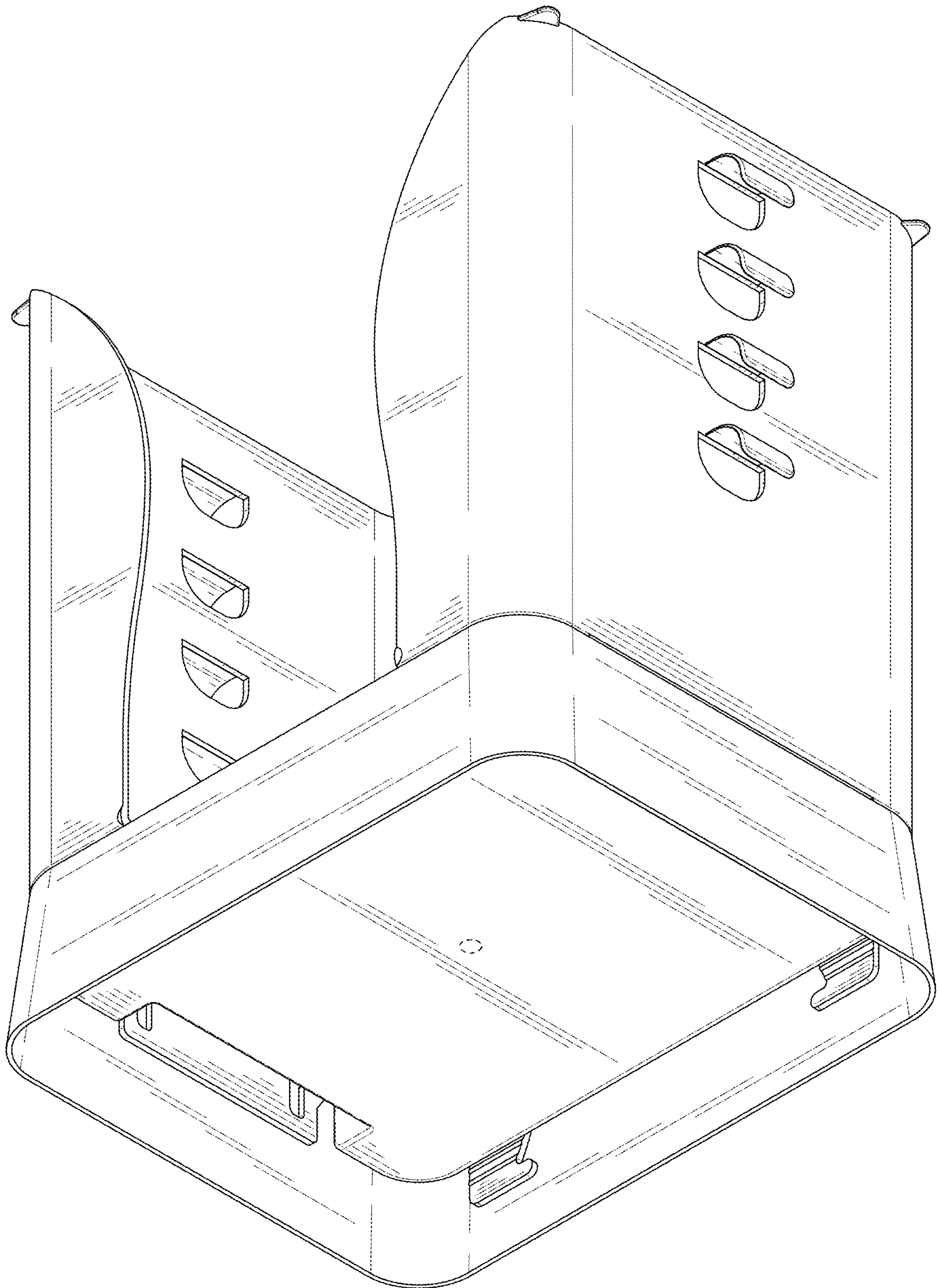


FIG. 2

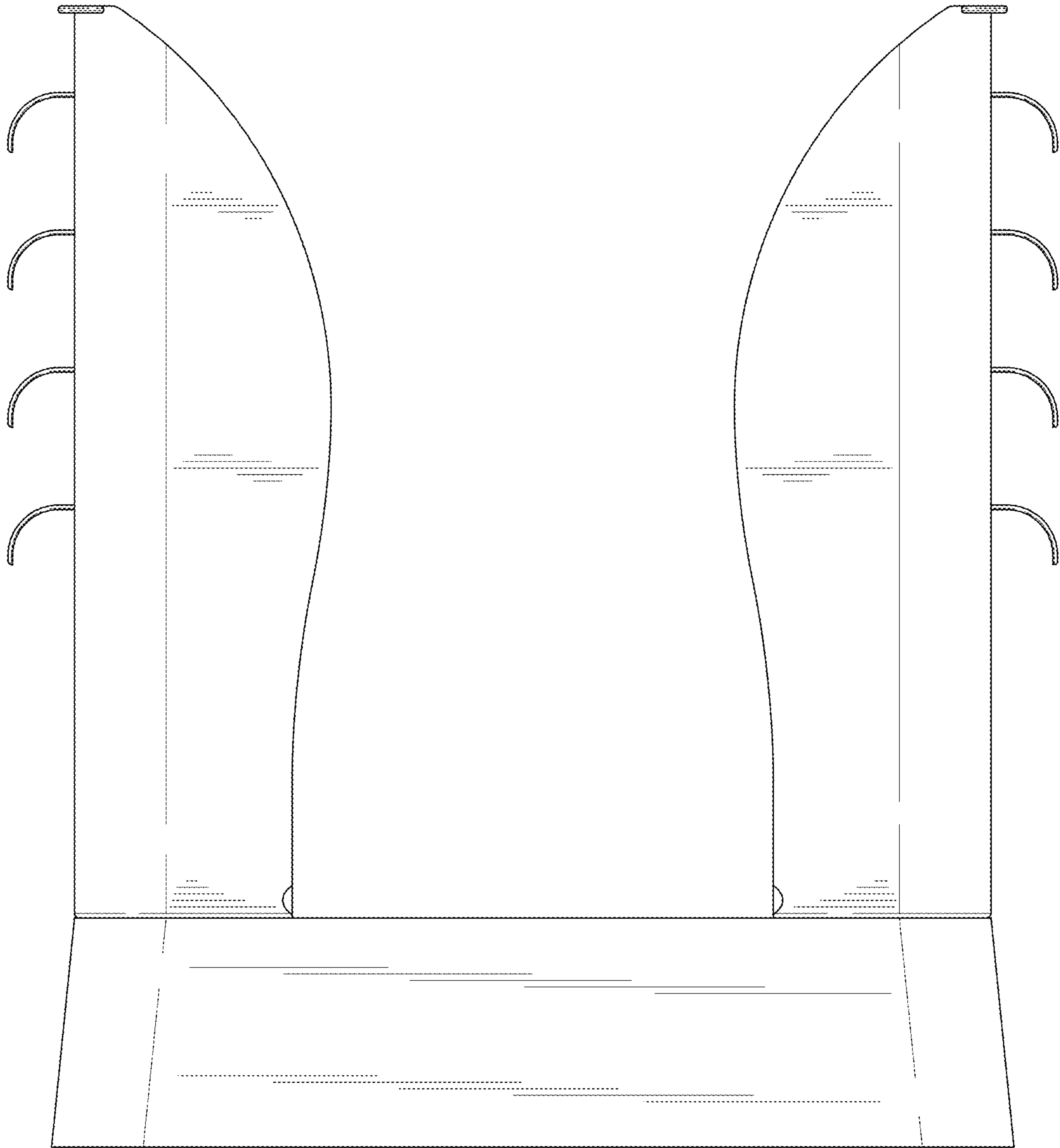


FIG. 3

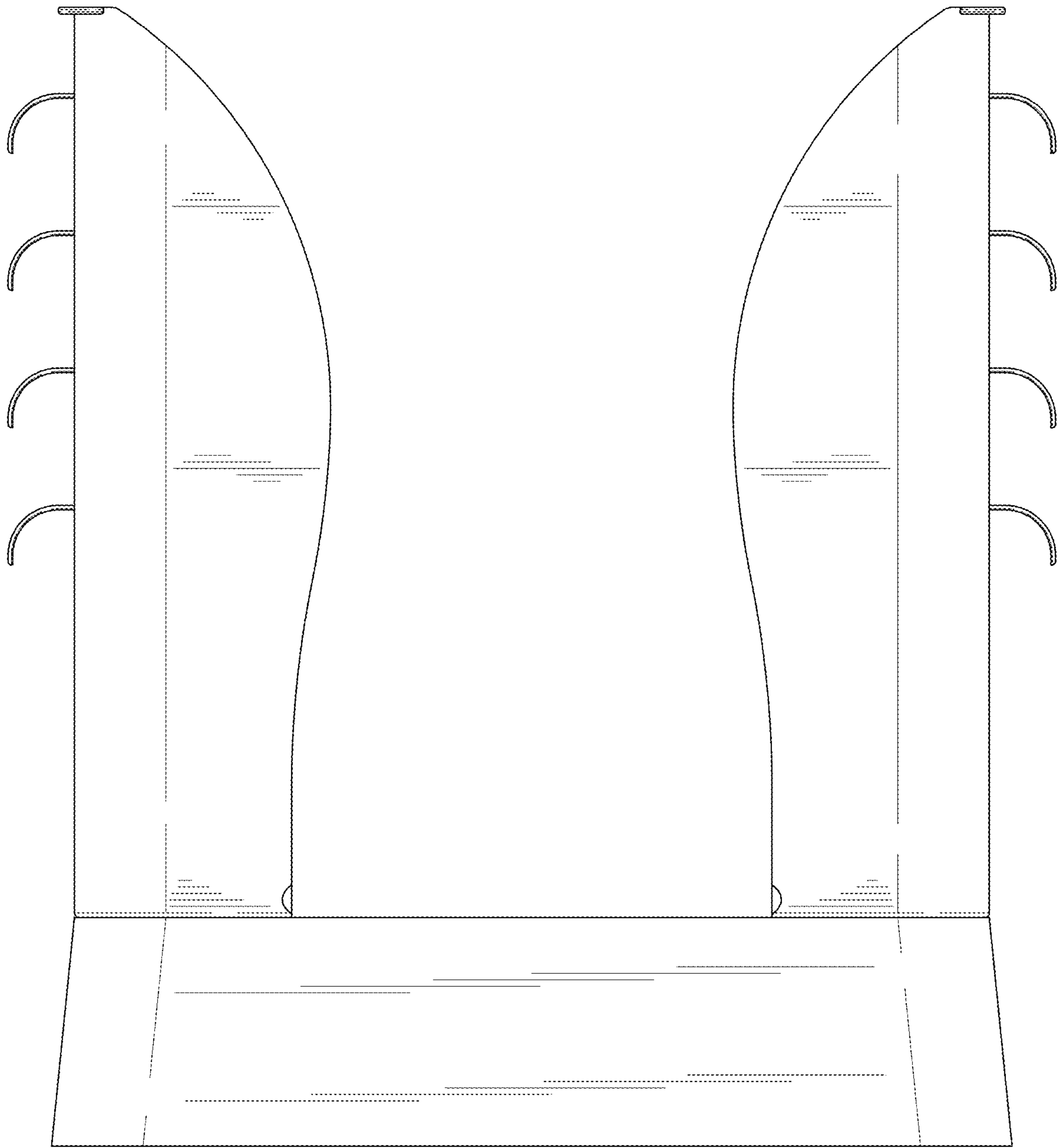


FIG. 4

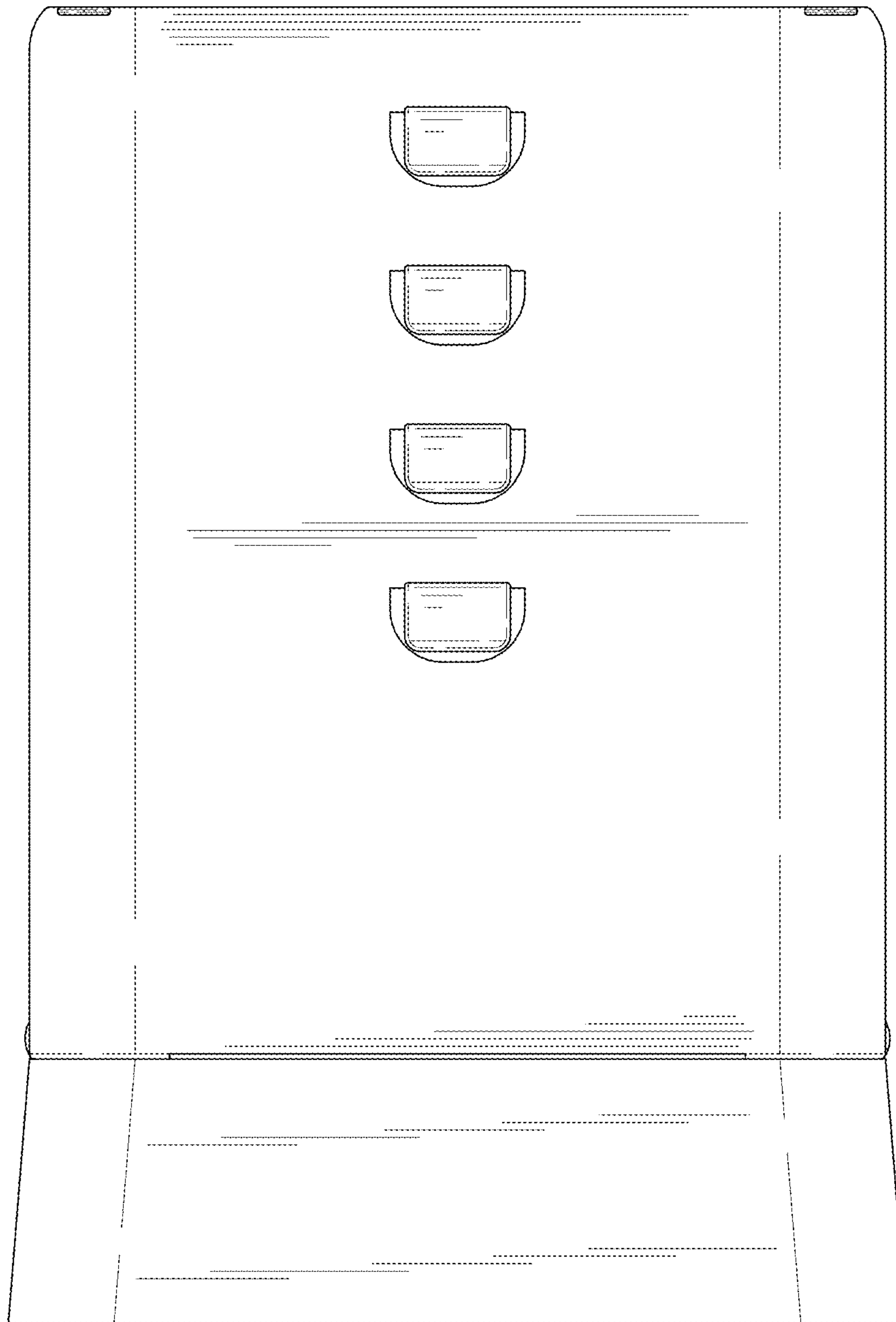


FIG. 5

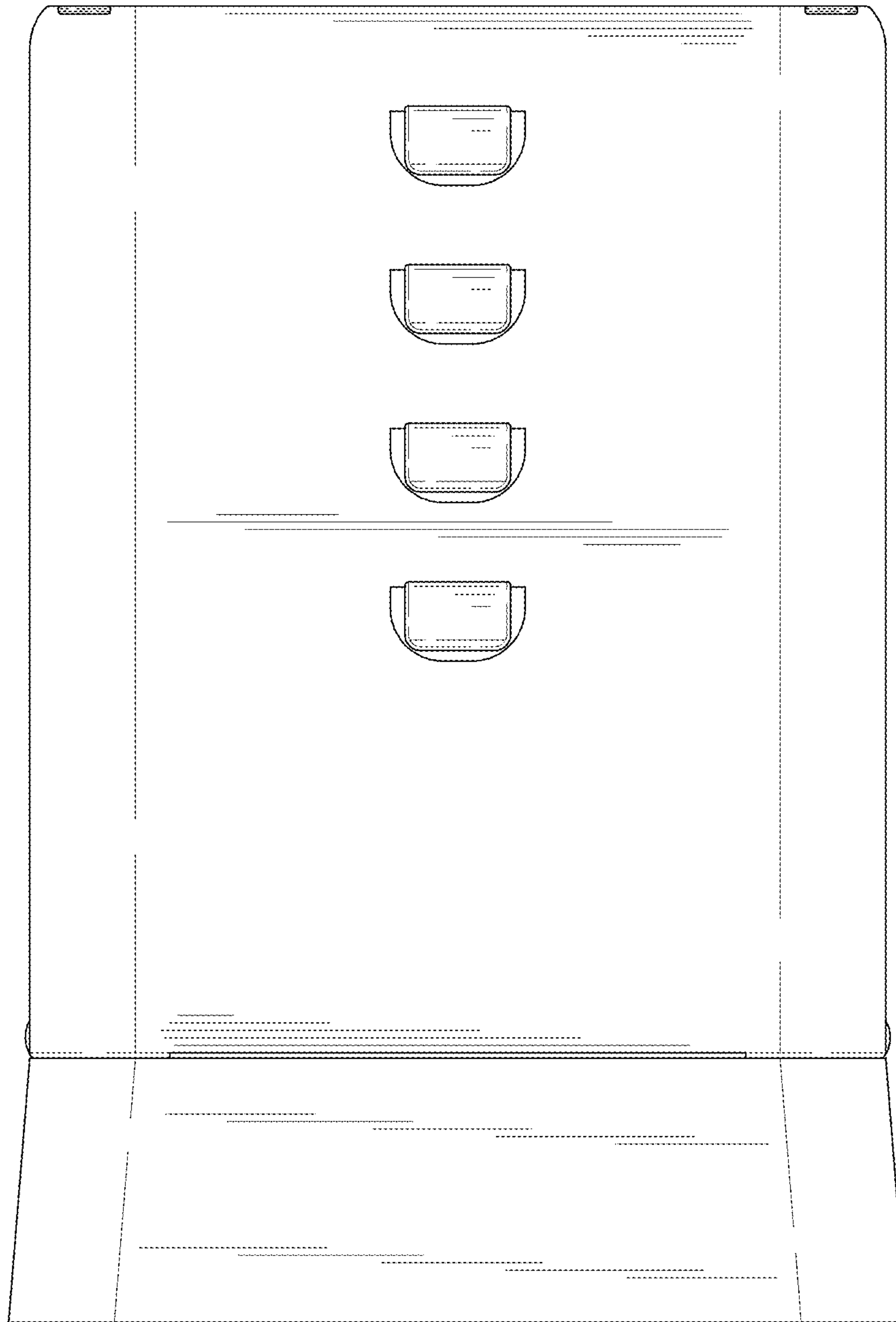


FIG. 6

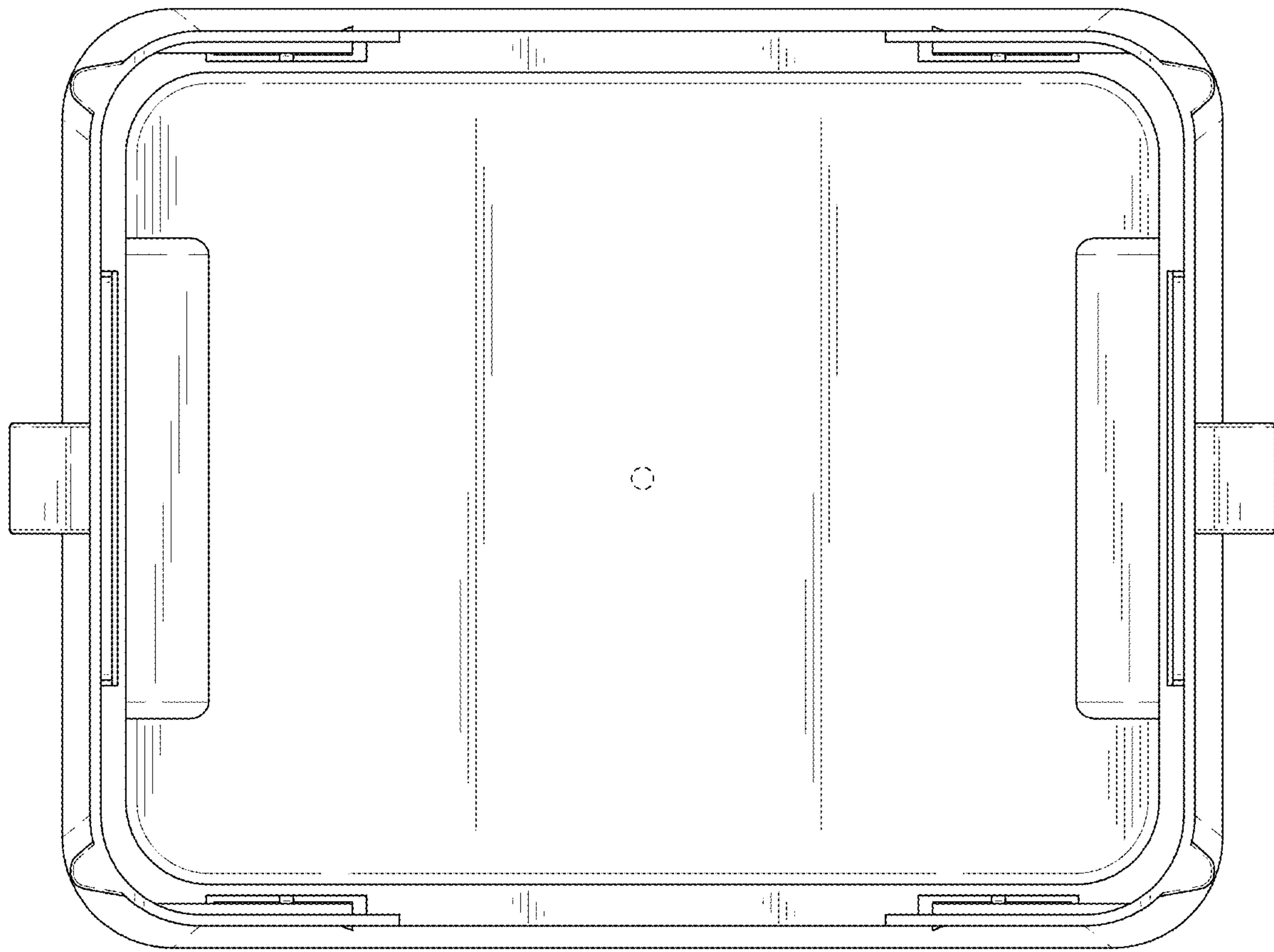


FIG. 7

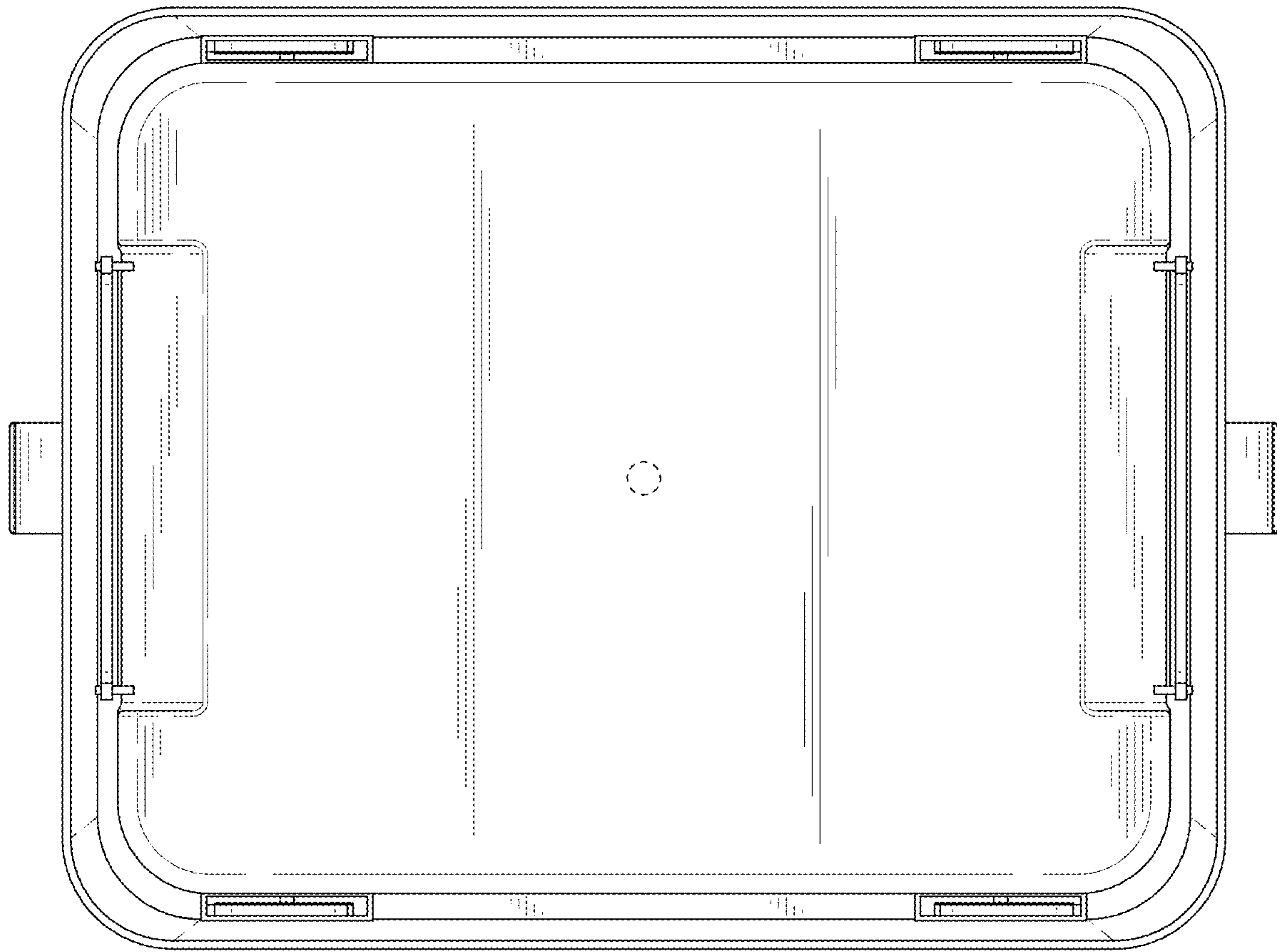


FIG. 8

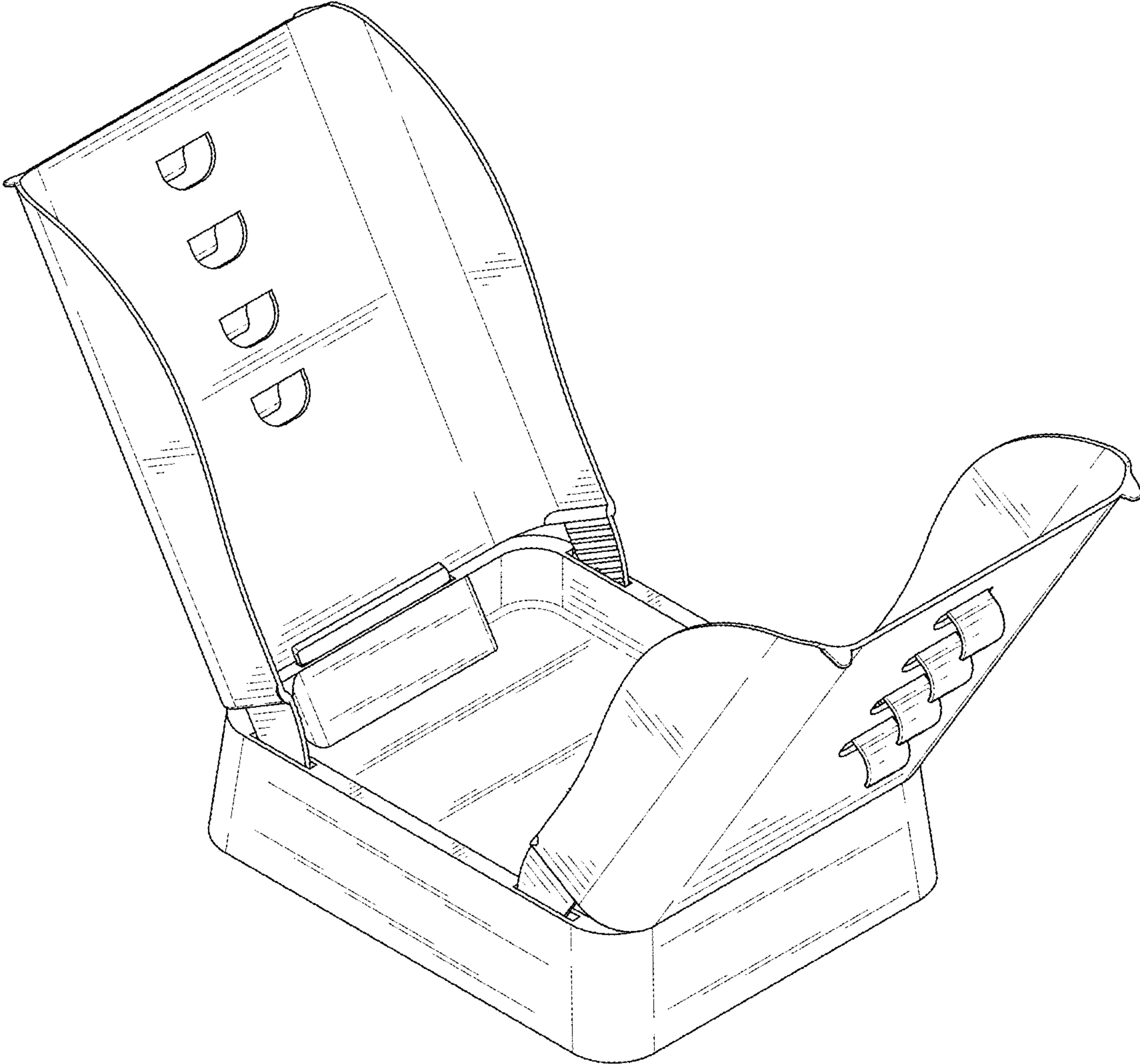


FIG. 9