



US00D972800S

(12) **United States Design Patent** (10) **Patent No.:** **US D972,800 S**  
**Ai** (45) **Date of Patent:** **\*\* Dec. 13, 2022**

(54) **SCRAP COLLECTOR**  
(71) Applicant: **HUNAN SIJIU ELECTRONIC COMMERCE CO., LTD.**, Hunan Province (CN)  
(72) Inventor: **Min Ai**, Hunan Province (CN)  
(\*\*) Term: **15 Years**  
(21) Appl. No.: **29/768,854**  
(22) Filed: **Feb. 1, 2021**  
(51) **LOC (13) Cl.** ..... **23-99**  
(52) **U.S. Cl.**  
USPC ..... **D34/1**  
(58) **Field of Classification Search**  
USPC ..... D34/4, 5, 6, 1; D19/102, 105, 107, 108; D28/61  
CPC ..... B65F 1/02; B65F 1/1452; A47G 19/2288; A47G 7/07  
See application file for complete search history.

(56) **References Cited**  
U.S. PATENT DOCUMENTS  
1,539,153 A \* 5/1925 Bennett ..... A47G 7/07 211/60.1  
3,381,814 A \* 5/1968 Benfield ..... A61C 19/00 206/63.5  
D416,764 S \* 11/1999 Gagne ..... D7/619.1  
D504,986 S \* 5/2005 Ng ..... D32/21  
D528,257 S \* 9/2006 Leclerc ..... D34/1  
9,044,109 B2 \* 6/2015 De Pagter ..... A47G 7/06  
9,585,455 B2 \* 3/2017 Boyle ..... A44C 9/0084  
D821,033 S \* 6/2018 Boyle ..... A44C 9/0061 D28/61  
10,244,910 B2 \* 4/2019 Conrad ..... A47L 9/1683  
D887,661 S \* 6/2020 Tyrol ..... D34/1  
10,689,191 B1 \* 6/2020 Gladbach ..... B65F 1/1646  
D903,469 S \* 12/2020 Wang ..... D8/349  
D912,571 S \* 3/2021 van Zanten ..... D11/155

D917,971 S \* 5/2021 Bryant ..... D7/524  
D931,682 S \* 9/2021 Calderaio ..... D7/510  
D939,173 S \* 12/2021 Zhang ..... D34/4  
11,235,924 B2 \* 2/2022 Krieg ..... B65F 1/141  
D945,103 S \* 3/2022 Wu ..... D34/4  
2006/0112624 A1 \* 6/2006 Bortman ..... A47G 7/07 47/41.12  
2020/0140194 A1 \* 5/2020 Tyrol ..... B65F 1/02

**FOREIGN PATENT DOCUMENTS**

GB 6115896 \* 1/2021

**OTHER PUBLICATIONS**

iVyne Berry—Suctioned Vinyl Weeding Scrap Collector (on-line), dated Aug. 11, 2020. Retrieved from Internet Jul. 18, 2022, URL: <https://www.amazon.com/iVyne-Berry-Suctioned-Weeding-Collector/dp/B08FNJRFKY?th=1> (5 pages) (Year: 2020).\*  
(Continued)

*Primary Examiner* — Kimberly Barnes

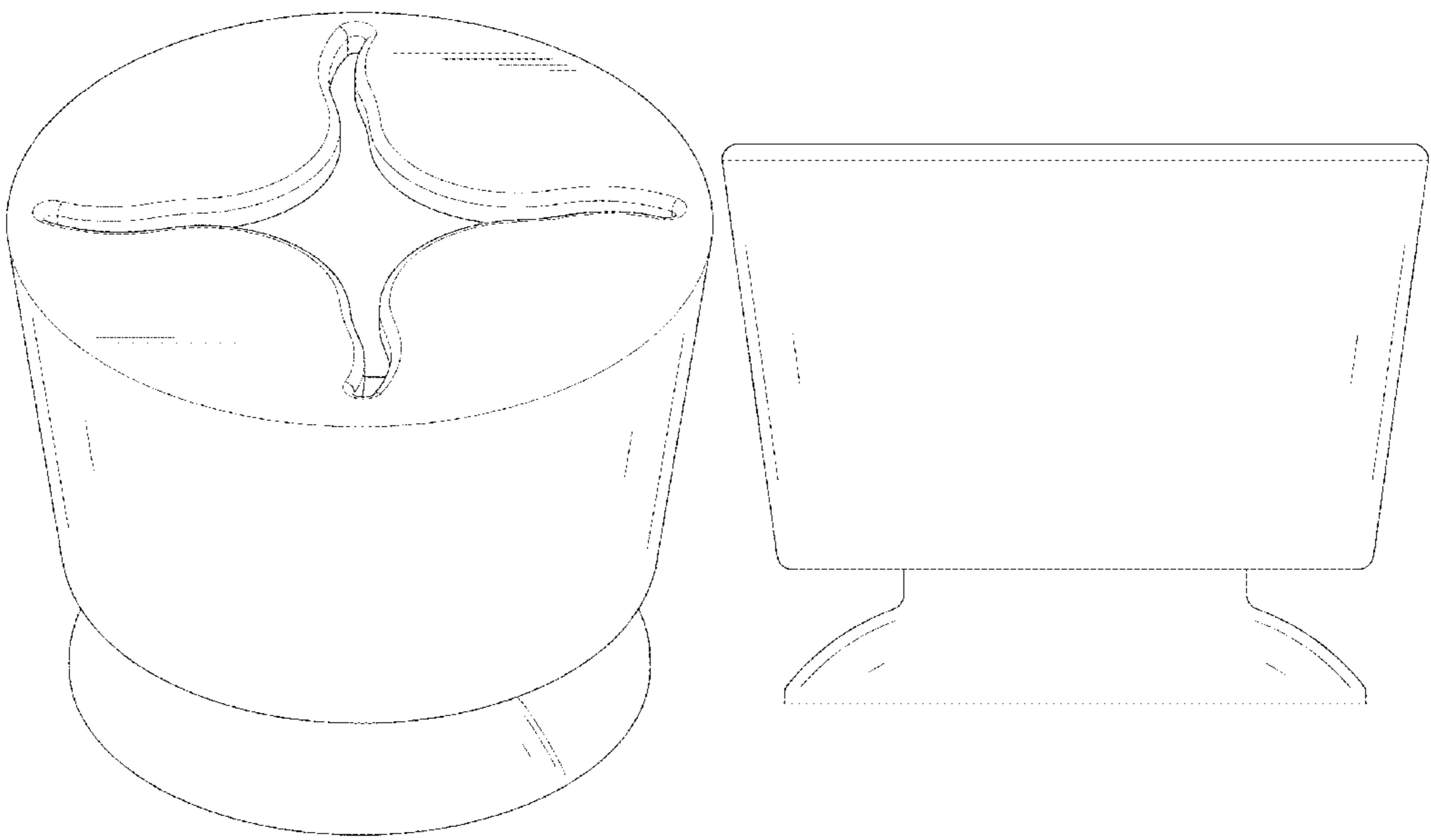
(57) **CLAIM**

The ornamental design for a scrap collector, as shown and described.

**DESCRIPTION**

FIG. 1 is a front, right side, top perspective view of a scrap collector showing my new design;  
FIG. 2 is a rear, left side, bottom perspective view thereof;  
FIG. 3 is a front elevational view thereof;  
FIG. 4 is a rear elevational view thereof;  
FIG. 5 is a left side elevational view thereof;  
FIG. 6 is a right side elevational view thereof;  
FIG. 7 is a top plan view thereof; and,  
FIG. 8 is a bottom plan view thereof.  
The broken lines depict portions of the scrap collector that form no part of the claimed design.

**1 Claim, 8 Drawing Sheets**



(56)

**References Cited**

OTHER PUBLICATIONS

HTVRONT Vinyl Weeding Scrap Collector (on-line), first date available Dec. 29, 2020. Retrieved from Internet Jul. 18, 2022, URL: <https://www.amazon.com.au/Collector-Silicone-Transfer-Disposing-HTVRONT/dp/B08RJJ35C4> (3 pages) (Year: 2020).\*

Vinyl Weeding Scrap Collector HTV (on-line), no date available. Retrieved from Internet Jul. 18, 2022, URL: <https://www.walmart.com/ip/Vinyl-Weeding-Scrap-Collector-HTV-Waste-Storage-Organizer-Box/499911005> (3 pages).\*

Silicone Storage Box Weeding Scrap Collector (on-line), no date available. Retrieved from Internet Jul. 18, 2022, URL: <https://www.aliexpress.com/item/3256803100594106.html?gatewayAdapt=4itemAdapt> (1 page).\*

Vinyl Weeding Scrap Collector (on-line), no date available. Retrieved from Internet Jul. 18, 2022, URL: <https://www.walmart.com/ip/2PCS-2in1-Vinyl-Weeding-Scrap-Collector-Silicone-Suction-Cups-for-Heat-Transfer-Vinyl-Craft-Weeding-Tools-Holder-Set%E2%80%A6> (3 pages).\*

Vinyl Weeding Scrap Ring (on-line), no date available. Retrieved from Internet Jul. 18, 2022, URL: <https://www.etsy.com/listing/1212023447/vinyl-weeding-scrap-ring> (1 page).\*

\* cited by examiner

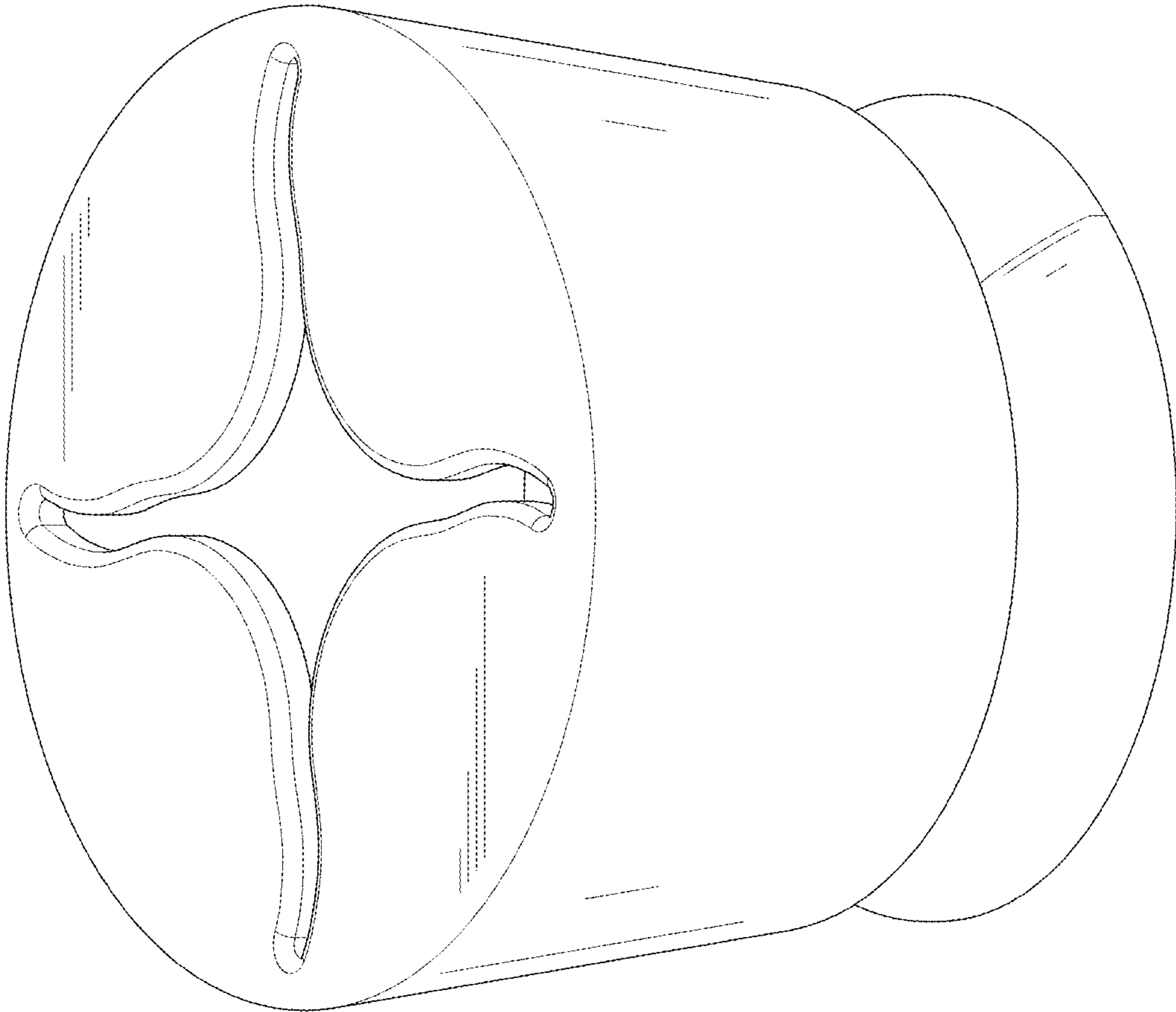


FIG. 1

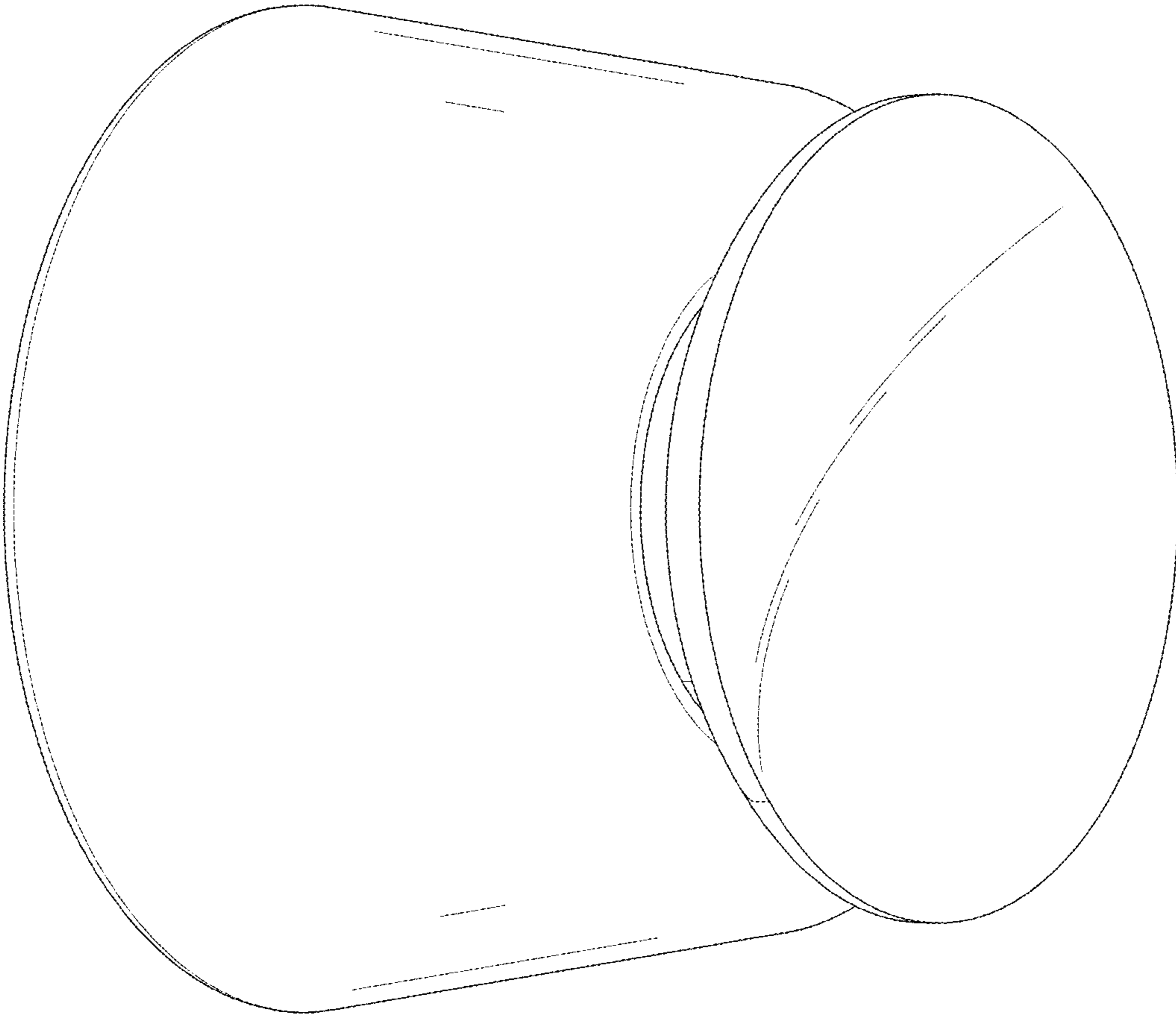


FIG. 2

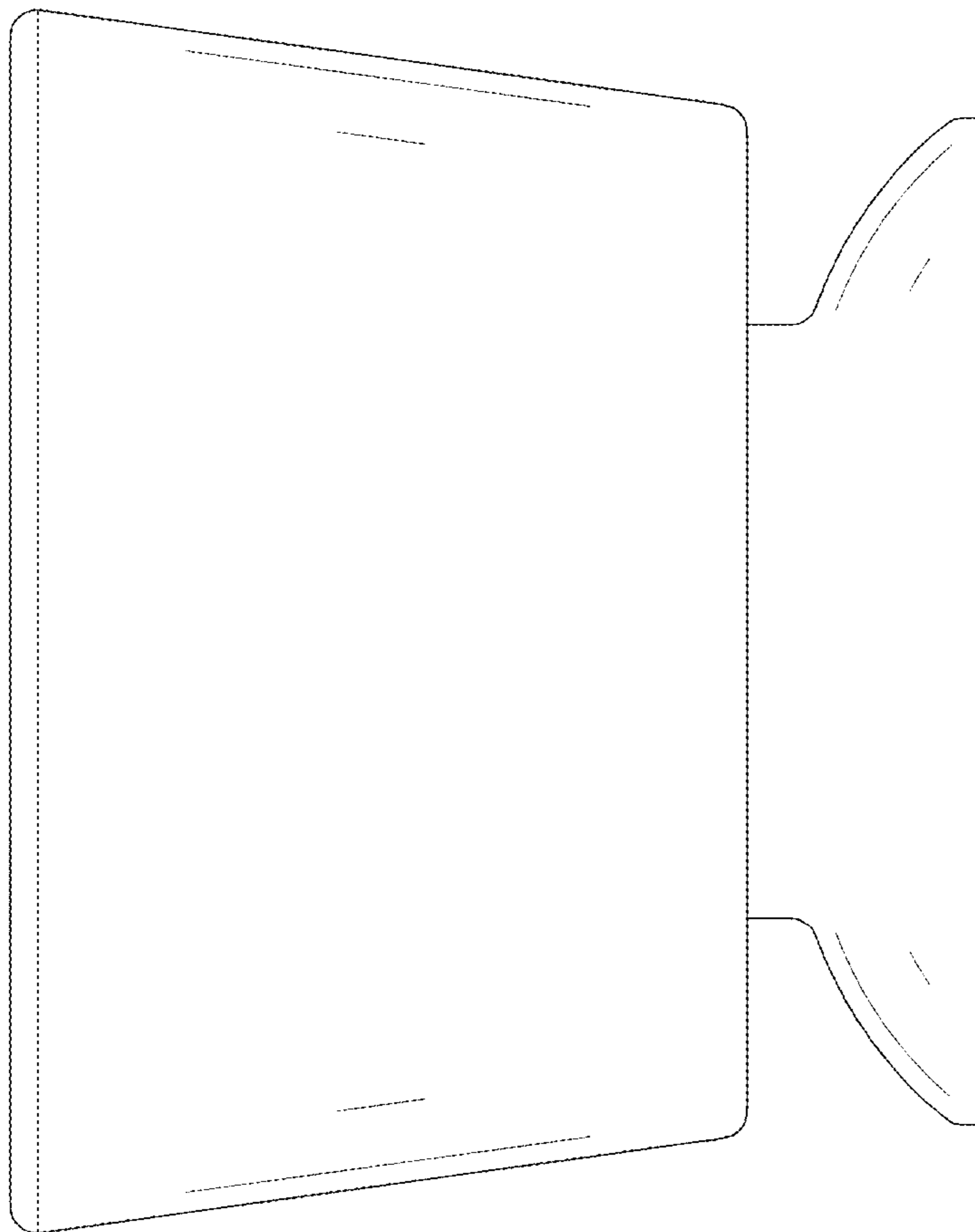


FIG.3

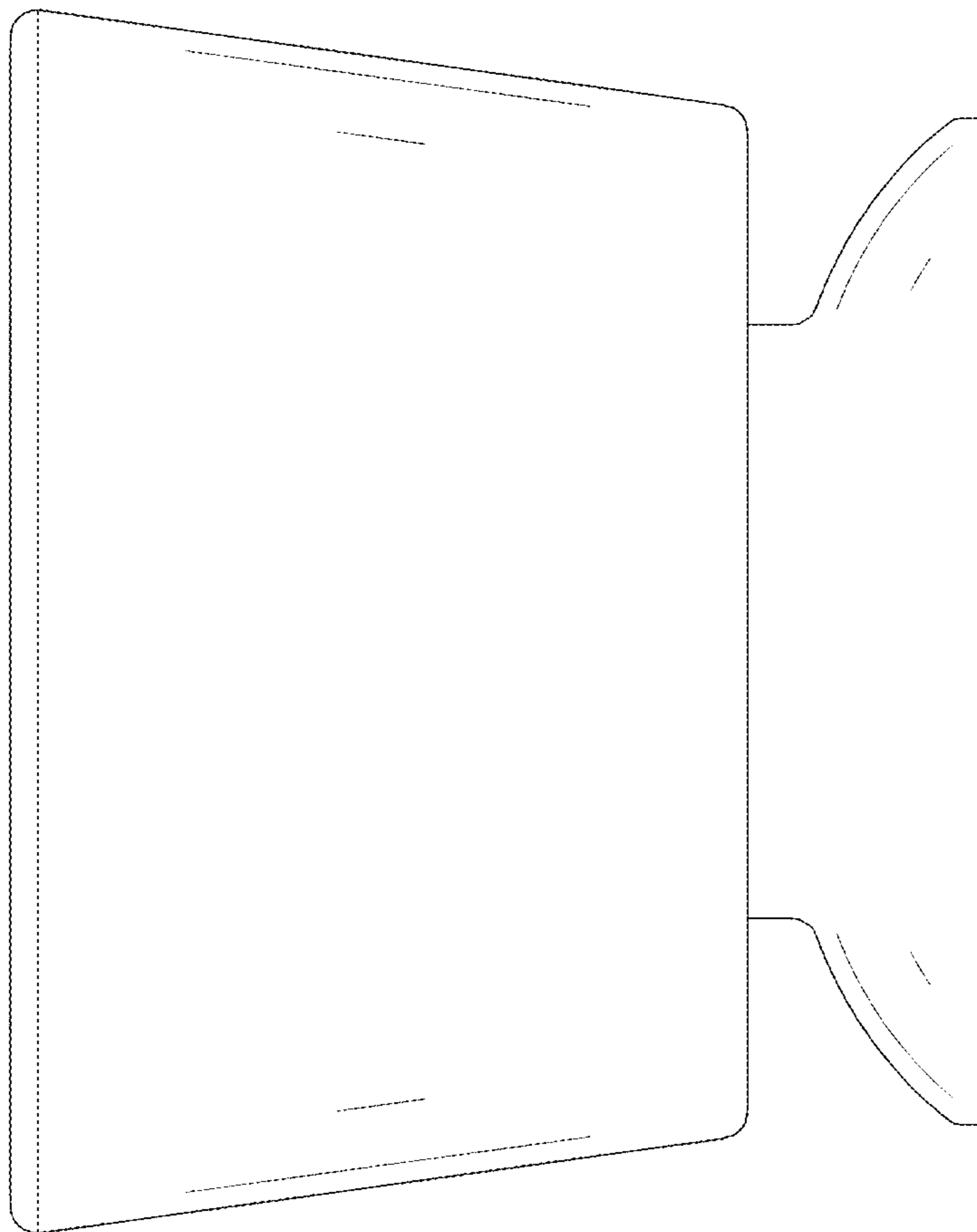


FIG.4

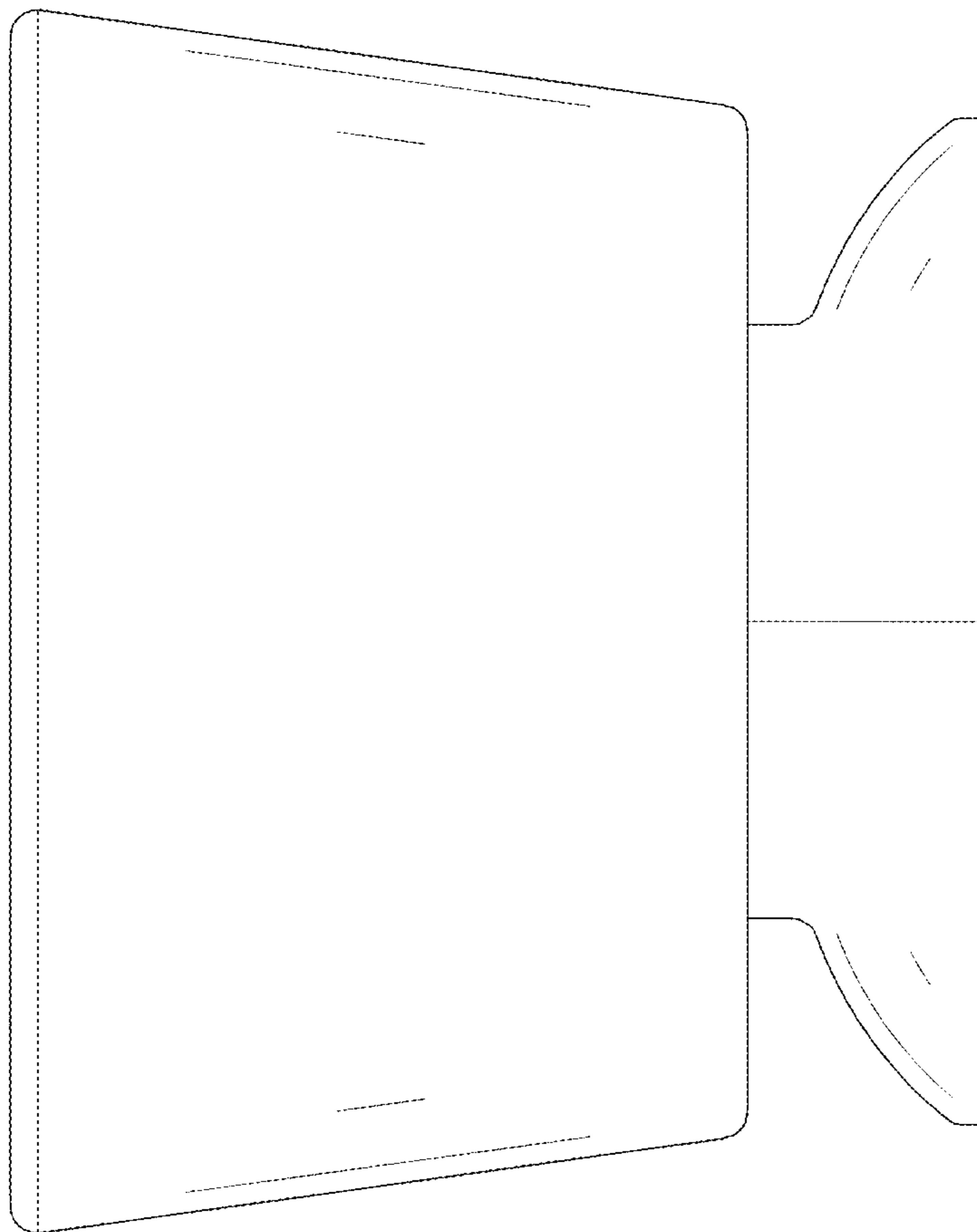


FIG. 5

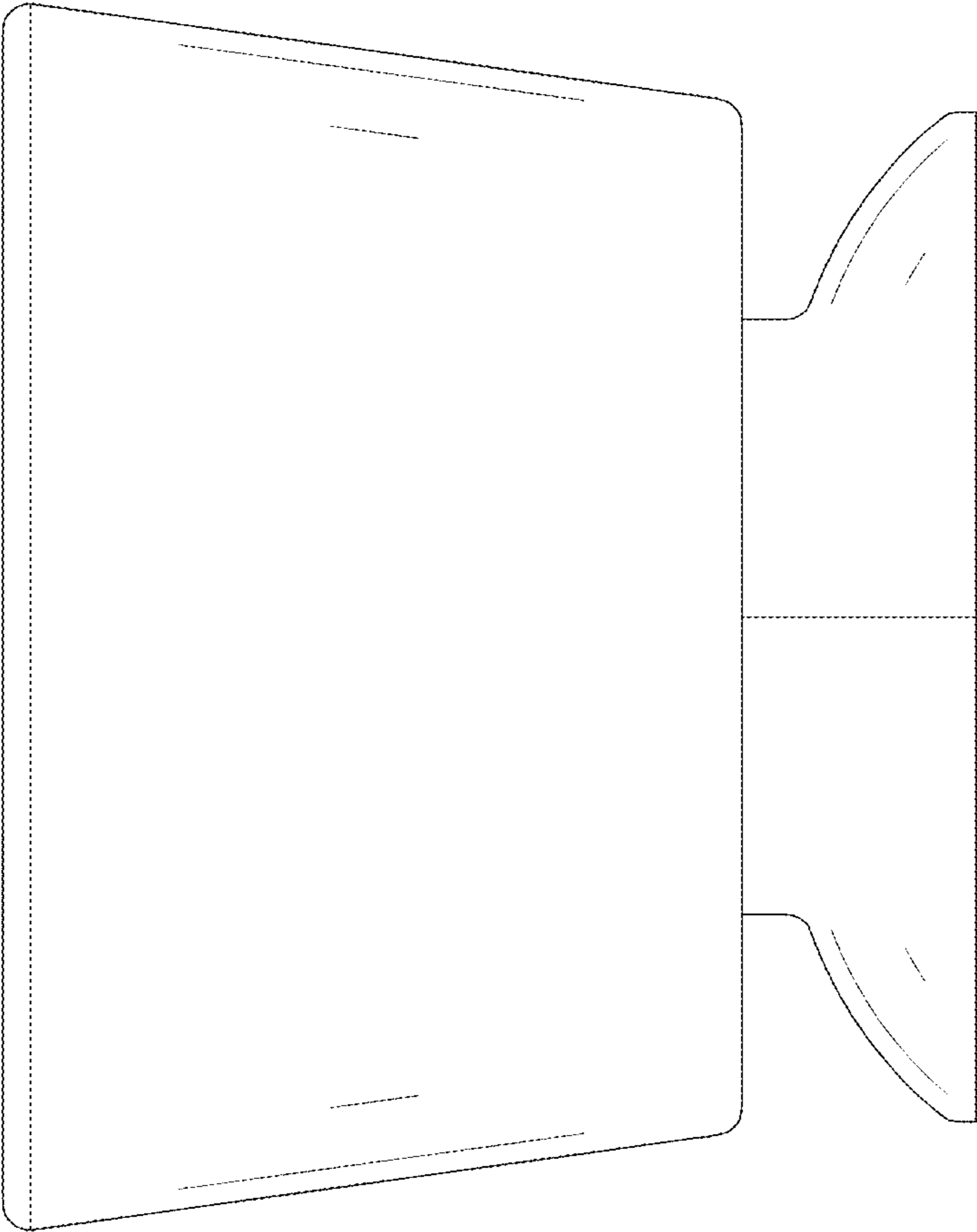


FIG.6



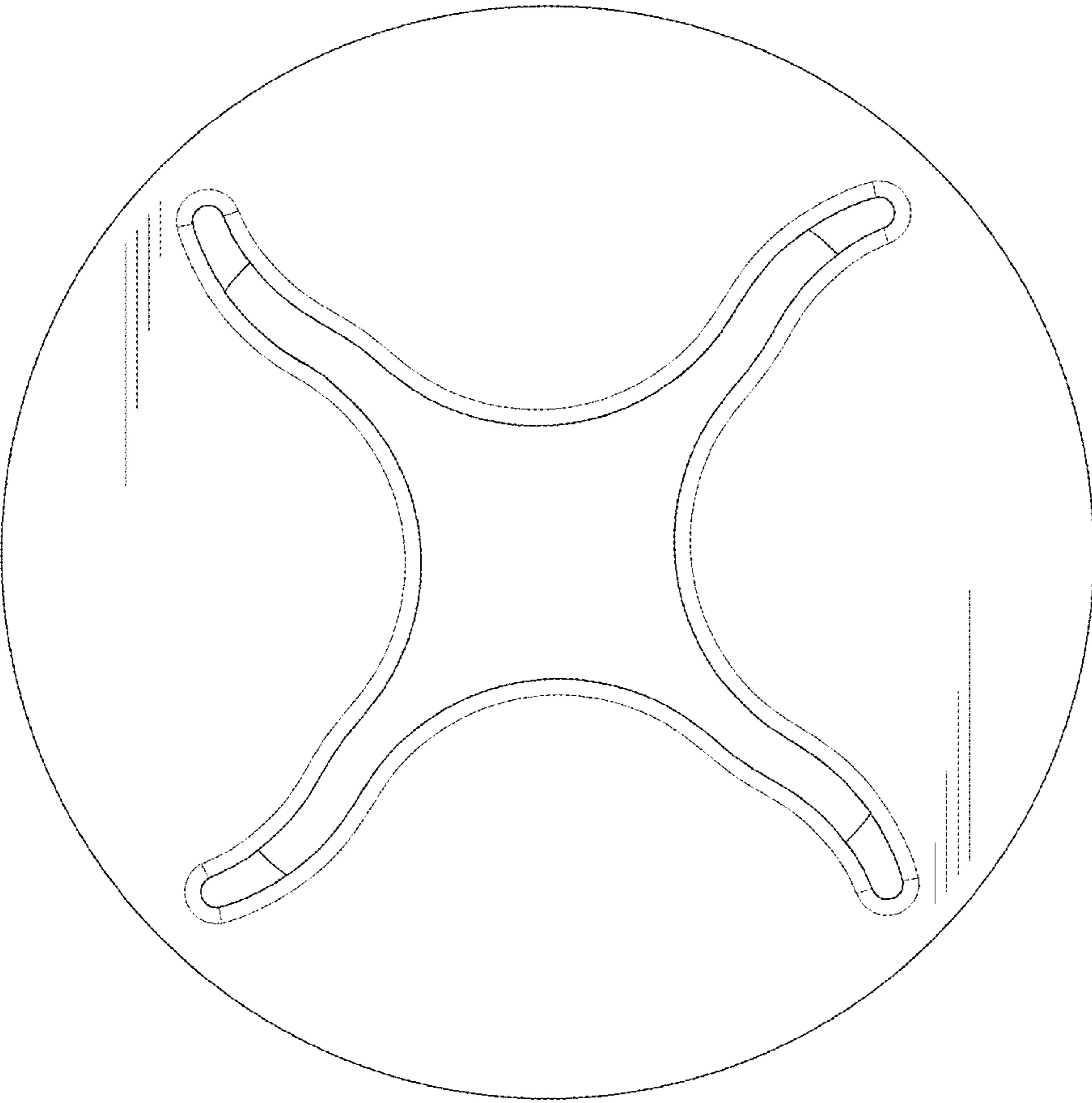


FIG. 7

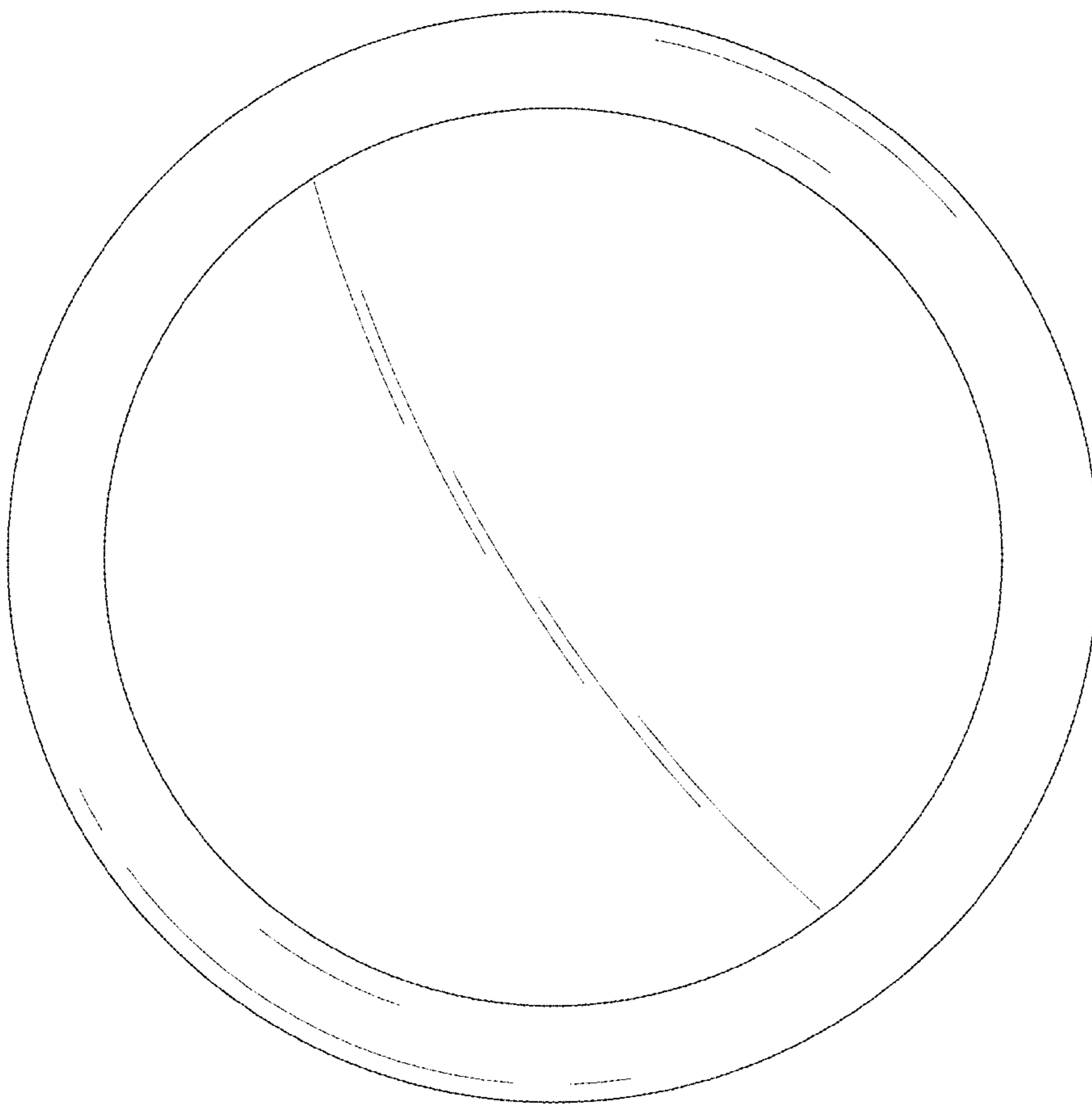


FIG. 8