



US00D972798S

(12) **United States Design Patent**
Huang

(10) **Patent No.:** **US D972,798 S**

(45) **Date of Patent:** **** Dec. 13, 2022**

(54) **LAUNDRY HAMPER**

(71) Applicant: **Jiangshan Wangda Industry and Trade Co., Ltd.**, Quzhou (CN)

(72) Inventor: **Jian Huang**, Quzhou (CN)

(**) Term: **15 Years**

(21) Appl. No.: **29/768,996**

(22) Filed: **Feb. 2, 2021**

(51) **LOC (13) Cl.** **09-04**

(52) **U.S. Cl.**
USPC **D32/37**

(58) **Field of Classification Search**
USPC D3/304, 306, 309, 312; D32/35-37
CPC B65D 25/30; B65D 25/06; B62B 3/025;
B62B 3/003; B62B 5/0061; D06F 95/002;
D06F 95/00; D06F 95/008
See application file for complete search history.

(56) **References Cited**

U.S. PATENT DOCUMENTS

D275,618 S *	9/1984	Agard	D34/7
D376,231 S *	12/1996	McLain	D32/37
D392,782 S *	3/1998	McLain	D32/37
D491,327 S *	6/2004	Gambino	D32/37
7,210,659 B2 *	5/2007	Lawson	D06F 95/004 211/94.01
D807,604 S *	1/2018	Wang	D32/37
D862,019 S *	10/2019	Liu	D32/37
D872,401 S *	1/2020	Wang	D32/37
D889,759 S *	7/2020	Tassinari	D32/37
D901,114 S *	11/2020	Wang	D32/37
D925,149 S *	7/2021	Huang	D32/37
D947,476 S *	3/2022	Benedict	D32/37

2020/0063332	A1 *	2/2020	Holderness	A45C 7/0063
2021/0245952	A1 *	8/2021	Tassinari	B65F 1/0046
2022/0056633	A1 *	2/2022	Tuang	D06F 95/002

OTHER PUBLICATIONS

Amazon.com_ PrakNbuy Double Laundry Hamper with Lid and Wheels https://www.amazon.com/PrakNbuy-Laundry-Collapsible-Freestanding-Waterproof/dp/B09QGMSHDH/ref=sr_1_55 (Year: 2022).*

* cited by examiner

Primary Examiner — Kevin K Rudzinski
Assistant Examiner — Richard E Yenchesky

(57) **CLAIM**

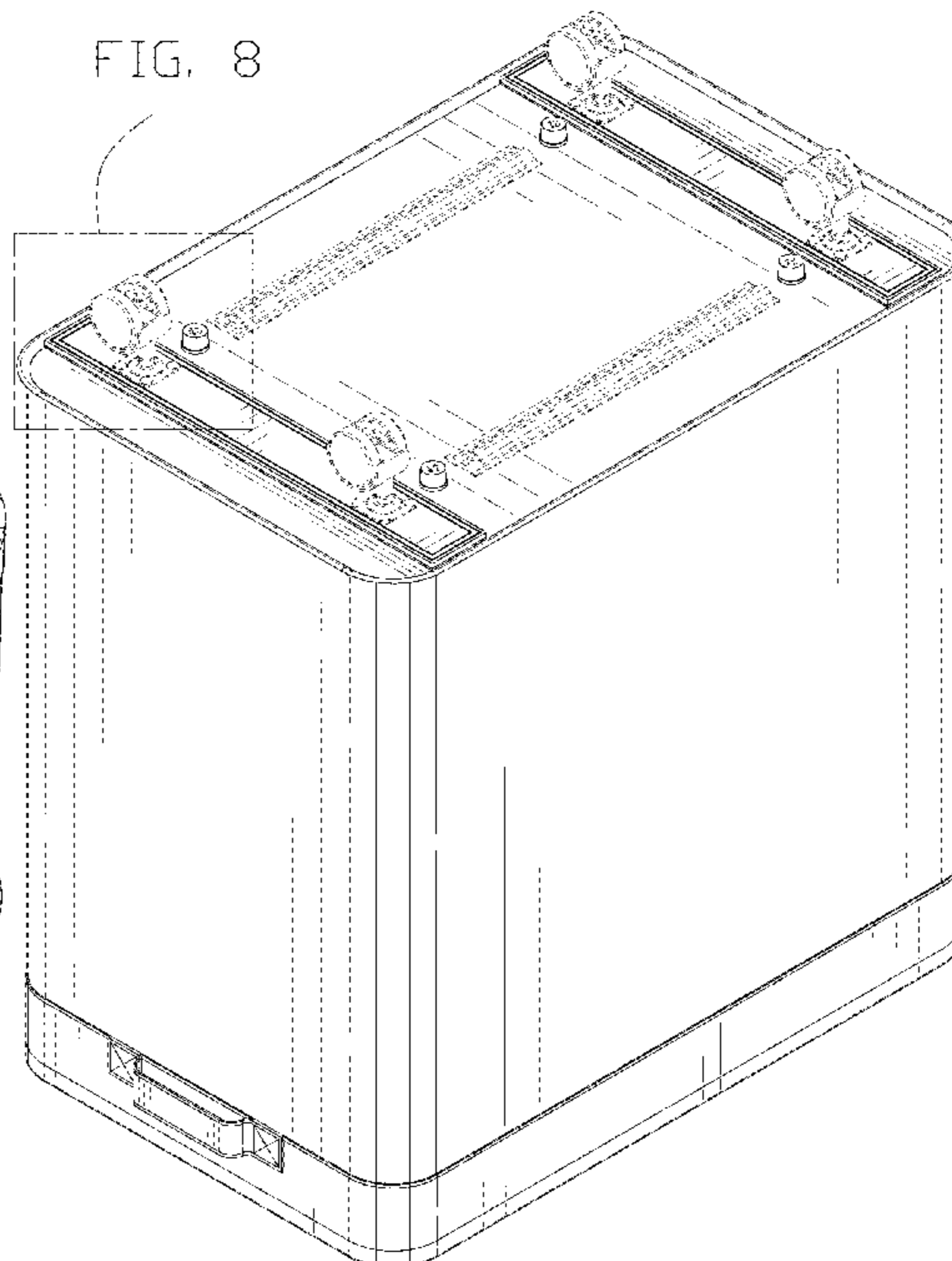
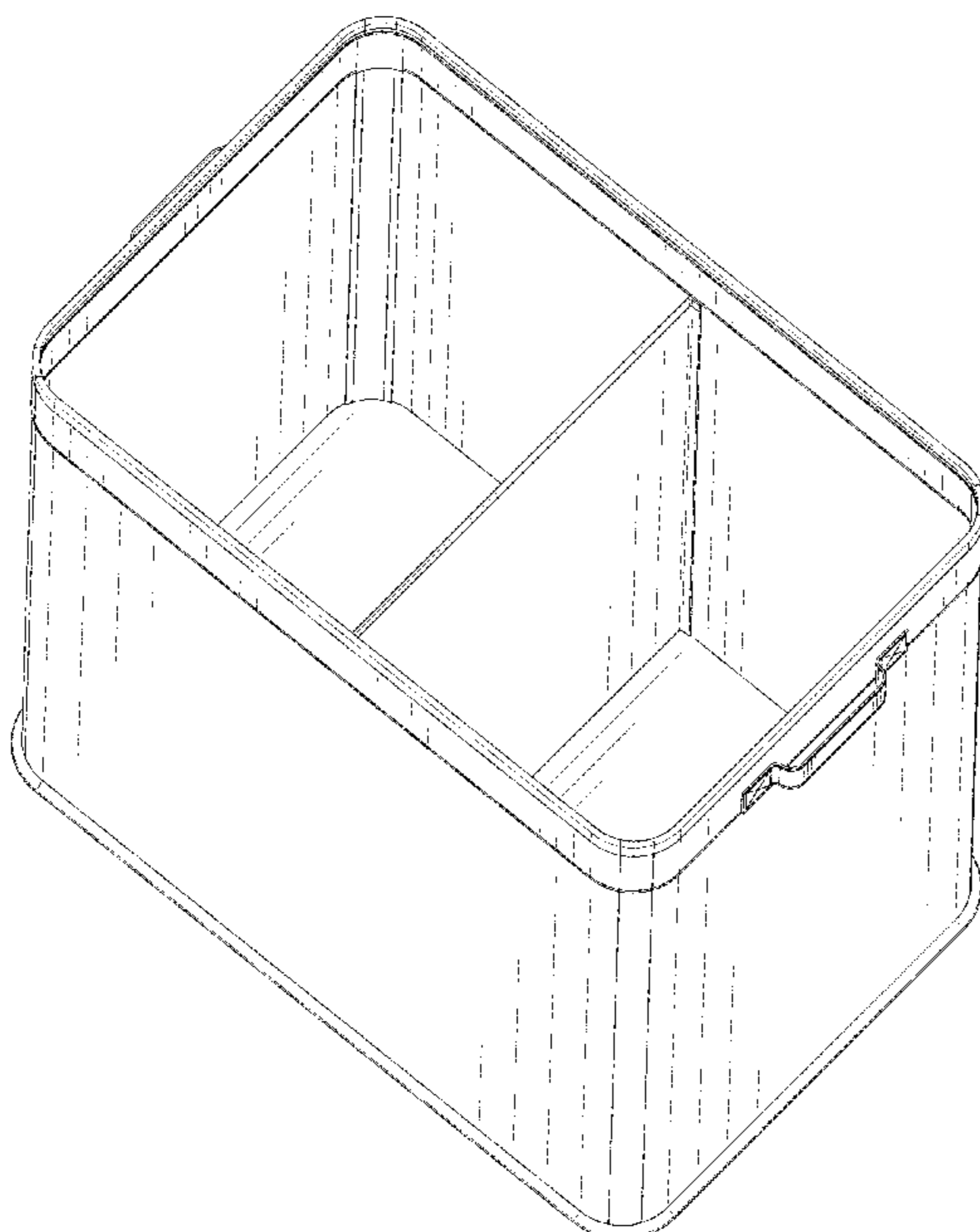
The ornamental design for a laundry hamper, as shown and described.

DESCRIPTION

FIG. 1 is a front and top perspective view of a laundry hamper, showing my new design; FIG. 2 is a rear and bottom perspective view thereof; FIG. 3 is a front elevation view thereof; FIG. 4 is a left side elevation view thereof, right side elevation view is a mirror view of the left side view; FIG. 5 is a top plan view thereof; FIG. 6 is a bottom plan view thereof; FIG. 7 is an exploded view thereof; and, FIG. 8 is an enlarged view of a portion labeled, 'FIG. 8' in FIG. 2.

The broken lines in the figures illustrate portions of the laundry hamper that form no part of the claimed design. The dash dot dash lines in FIGS. 2 and 8 are for the purpose of depicting the cut line of the enlarged view and form no part of the claim.

1 Claim, 8 Drawing Sheets



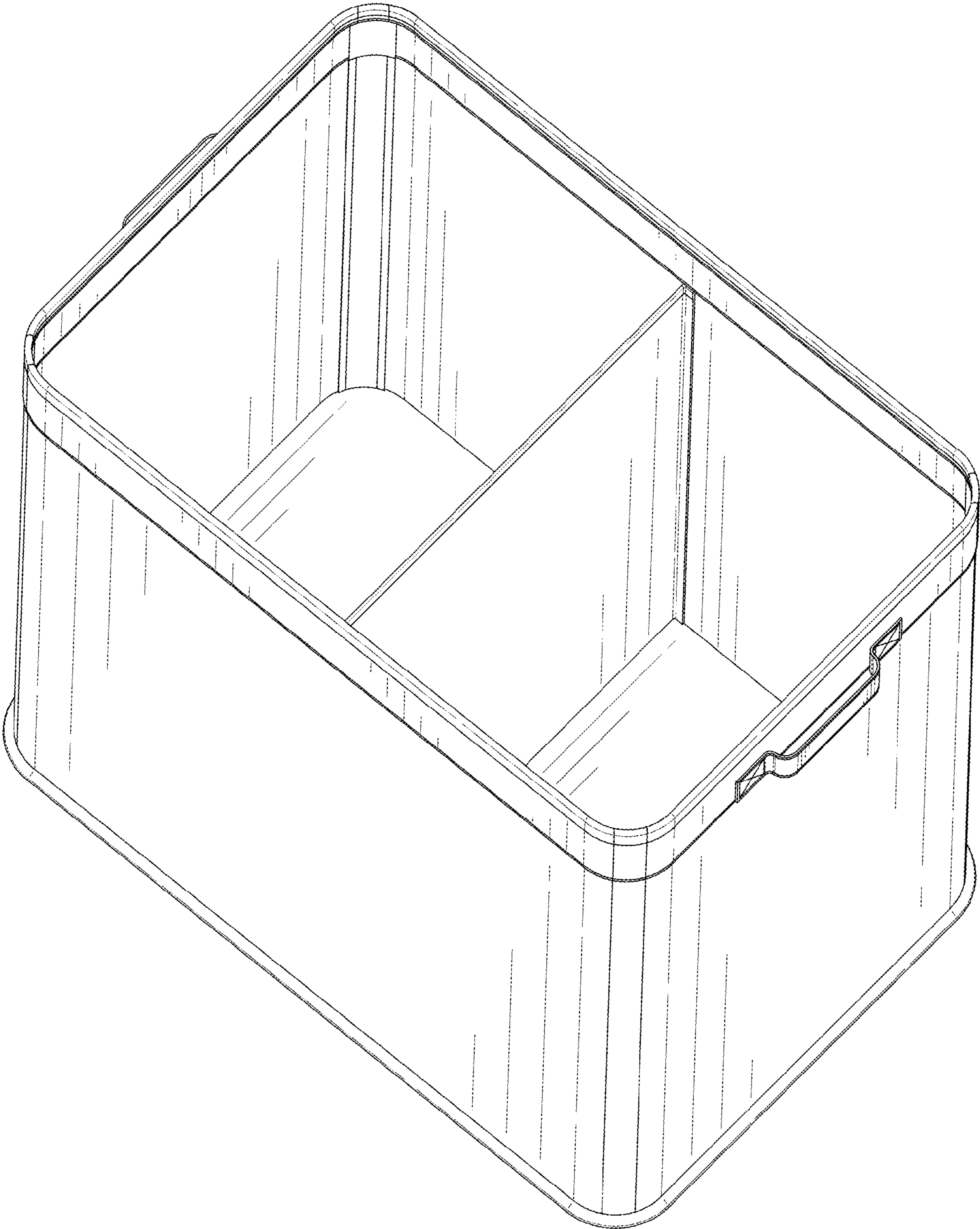


FIG. 1

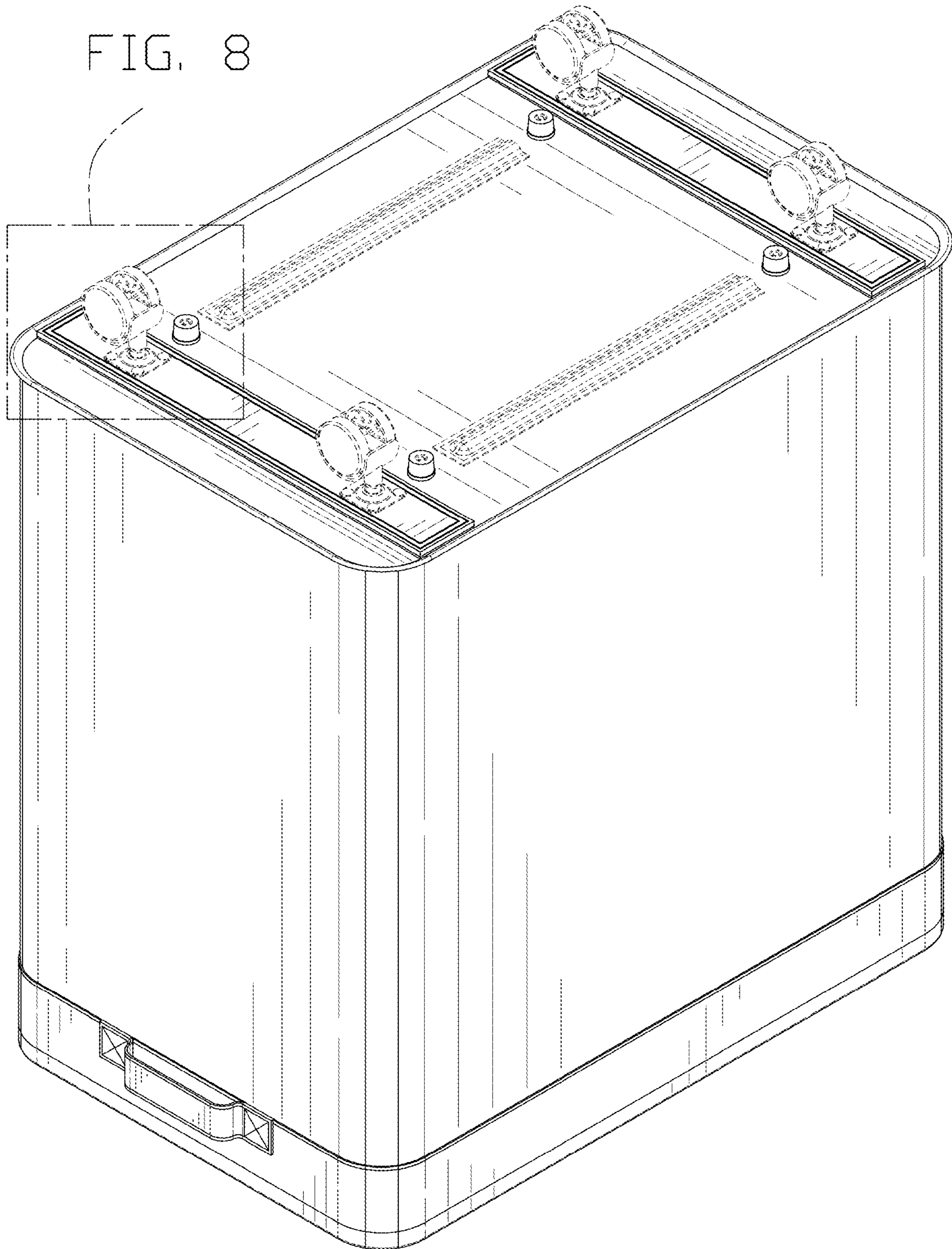


FIG. 8

FIG. 2

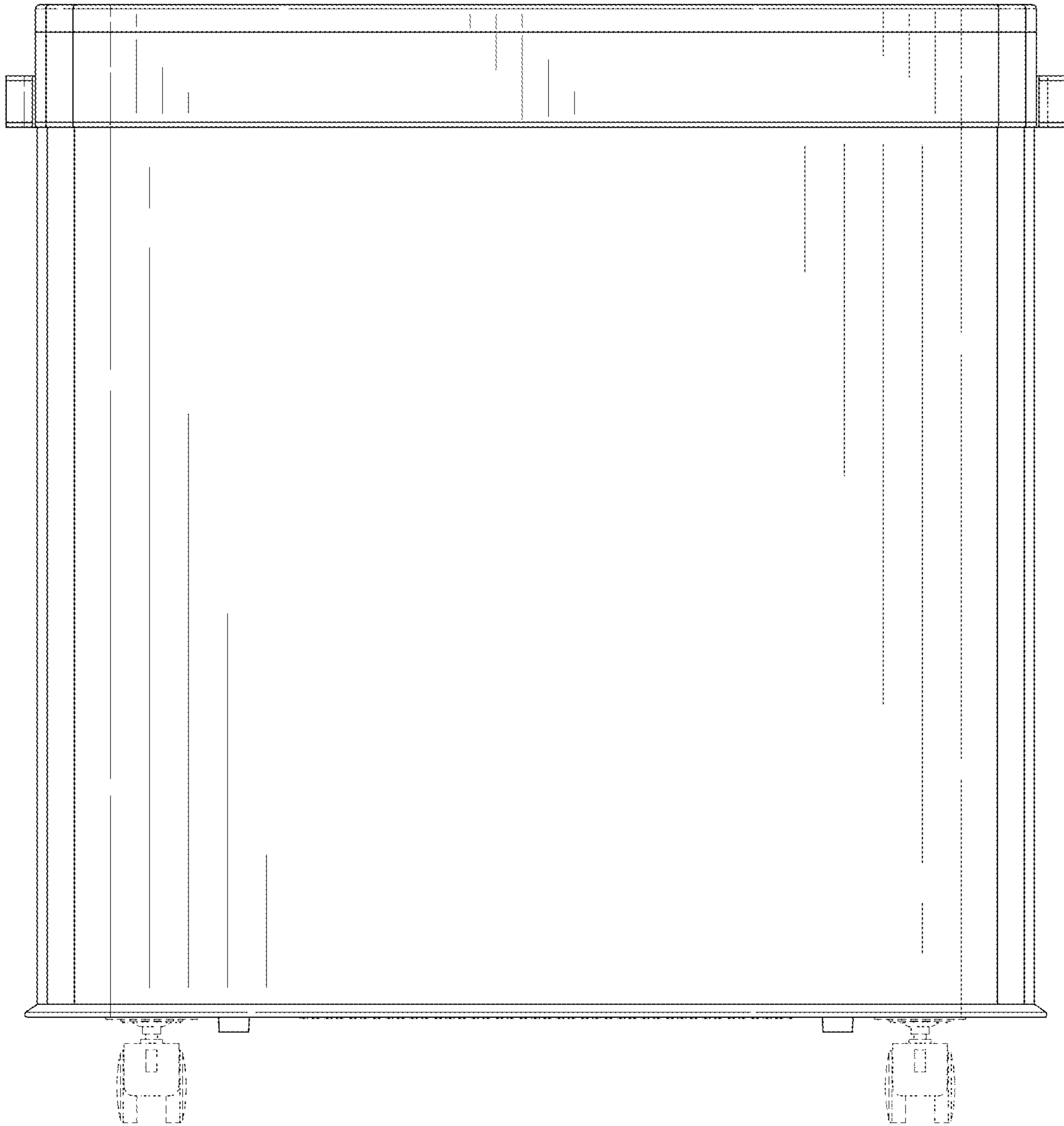


FIG. 3

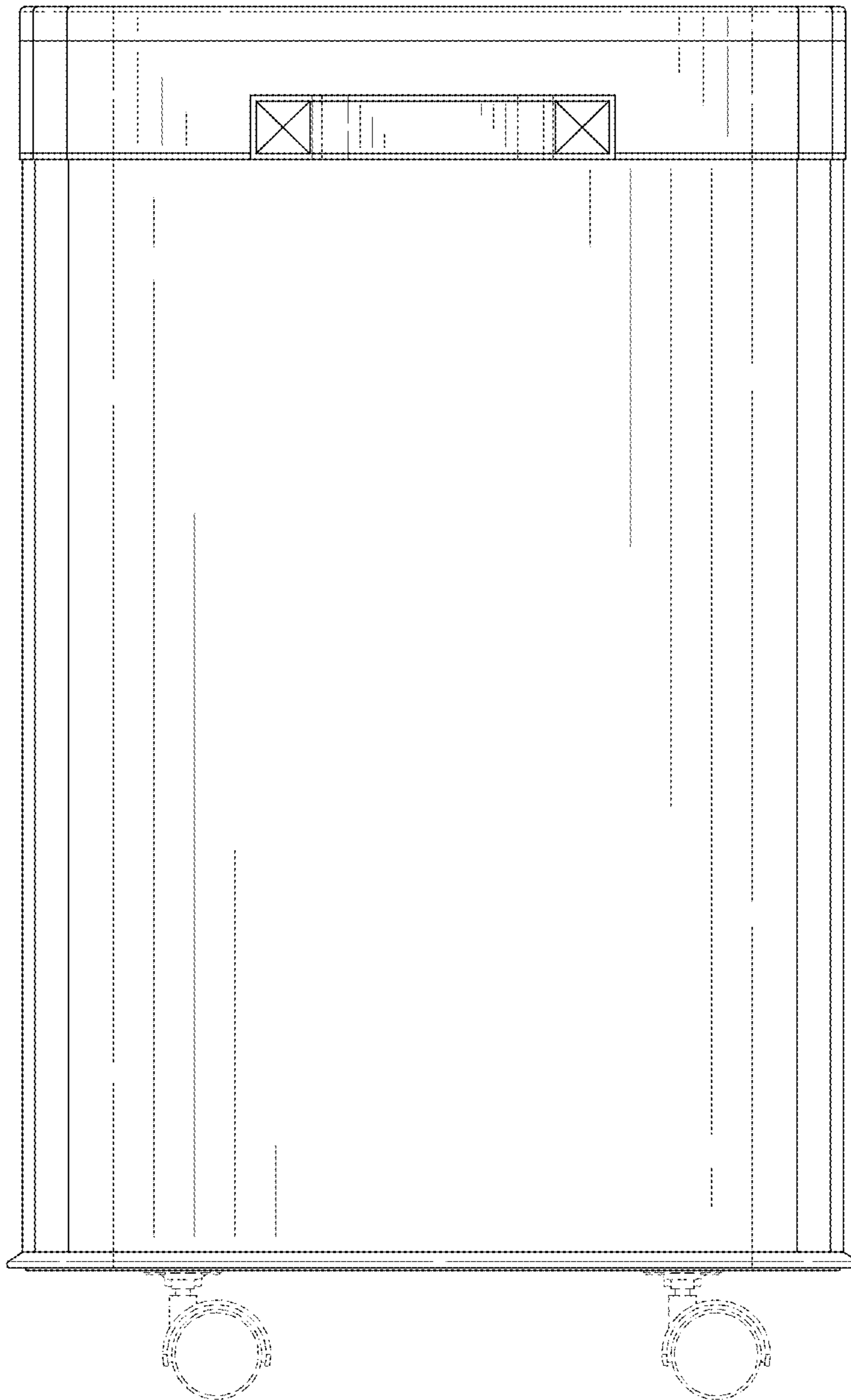


FIG. 4

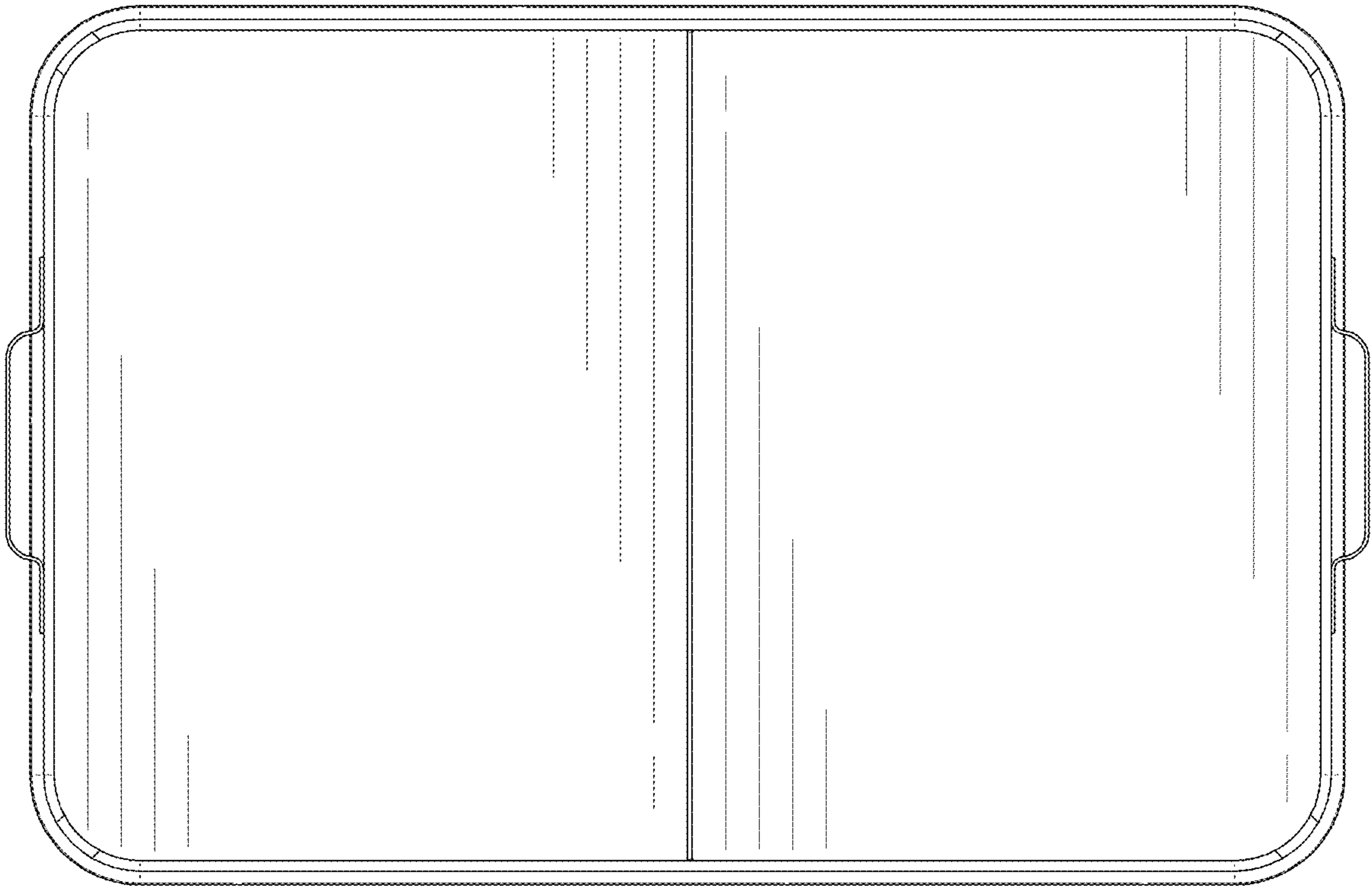


FIG. 5

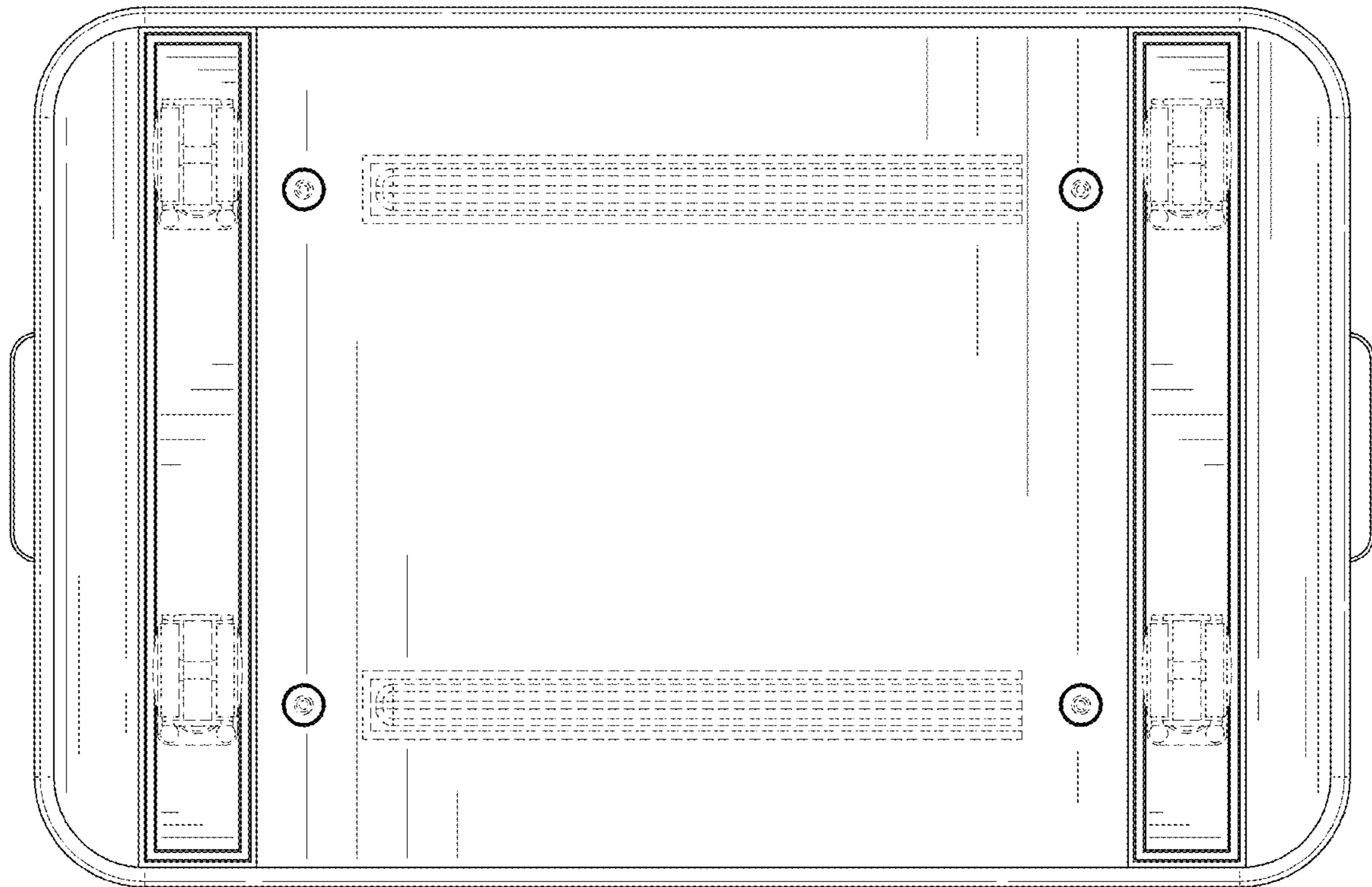


FIG. 6

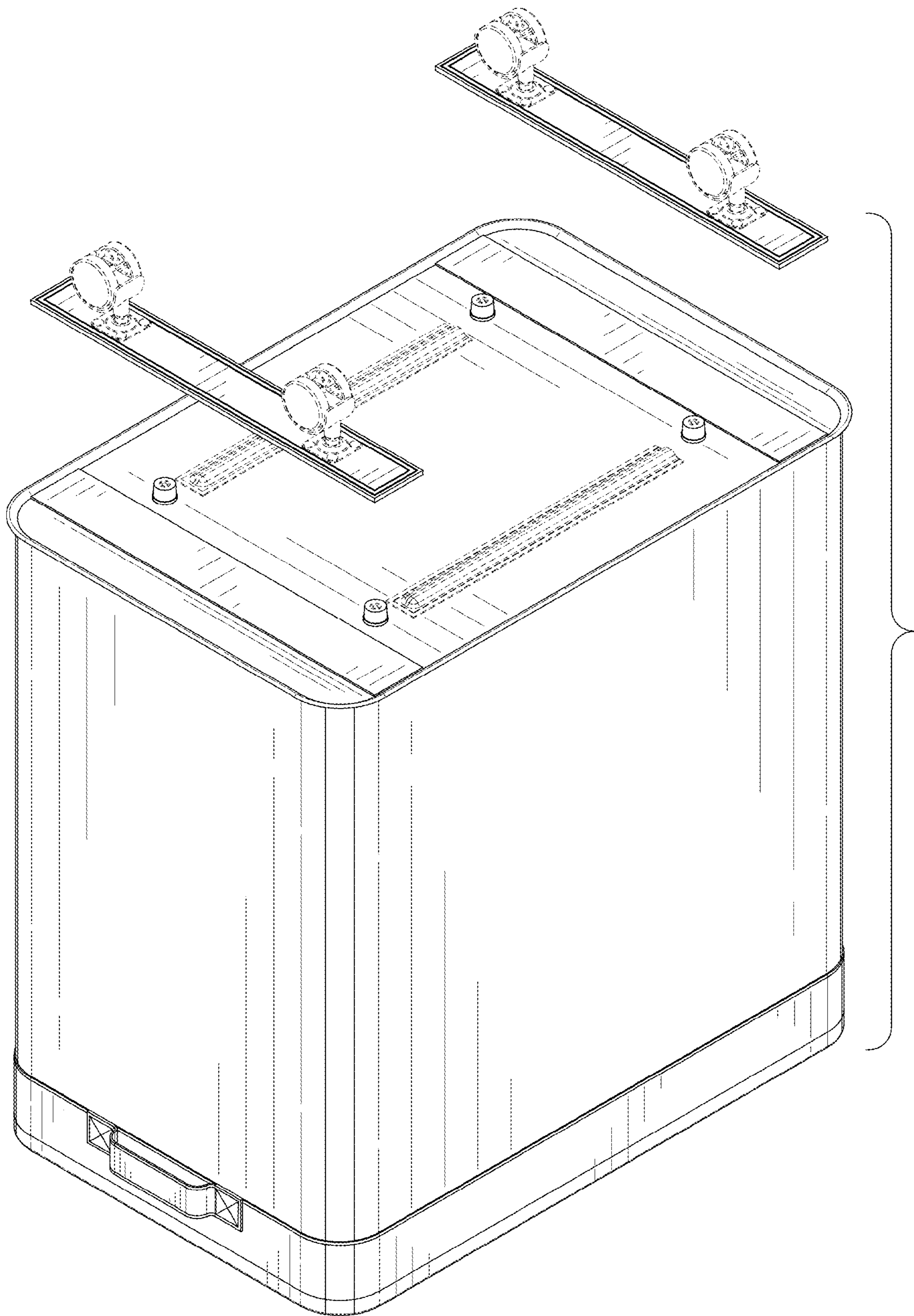


FIG. 7

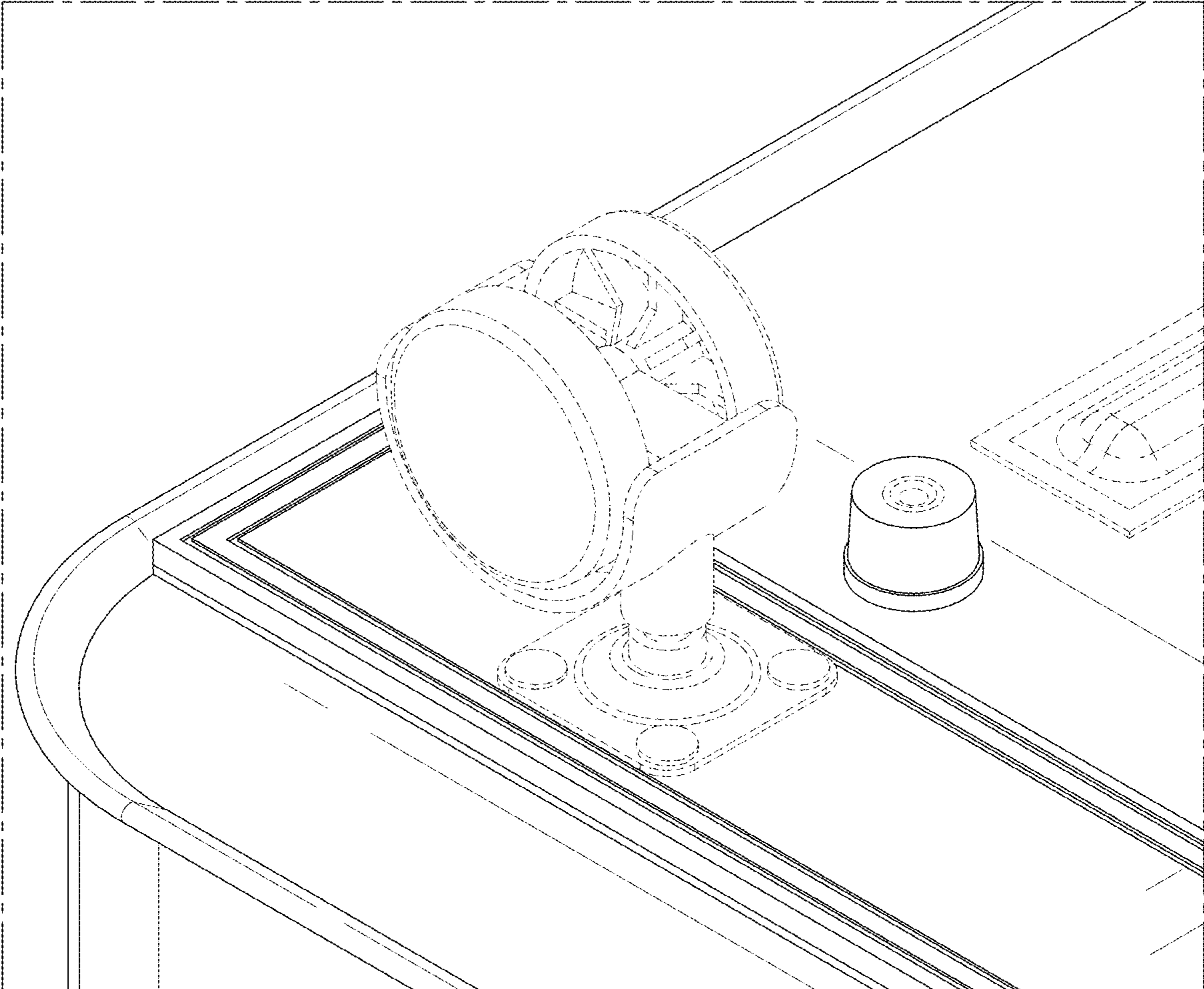


FIG. 8