



US00D972797S

(12) **United States Design Patent**
Tschopp

(10) **Patent No.:** **US D972,797 S**

(45) **Date of Patent:** **** Dec. 13, 2022**

- (54) **PRESSURE WASHER**
- (71) Applicant: **BLACK & DECKER INC.**, New Britain, CT (US)
- (72) Inventor: **Tylan A. Tschopp**, Baltimore, MD (US)
- (73) Assignee: **BLACK & DECKER INC.**, New Britain, CT (US)
- (**) Term: **15 Years**
- (21) Appl. No.: **29/790,575**
- (22) Filed: **Dec. 3, 2021**

D732,764 S *	6/2015	Kennard	D32/15
D733,373 S *	6/2015	Kahan	D32/16
D778,011 S *	1/2017	Alexander	D32/16
D779,744 S *	2/2017	Weinberg	D32/16
D779,746 S *	2/2017	Weinberg	D32/16
D781,010 S *	3/2017	Meyer	D32/16
D781,511 S *	3/2017	Meyer	D32/16
D809,721 S *	2/2018	Venard	D32/15
D824,612 S *	7/2018	Alexander	D32/16
D824,613 S *	7/2018	Alexander	D32/16
D831,909 S *	10/2018	Tinius	D32/16
D894,505 S *	8/2020	Yang	D32/15
D903,960 S *	12/2020	Yang	D32/15
D919,207 S *	5/2021	Dammkoehler	D32/15
D919,909 S *	5/2021	Tschopp	D32/15
D929,684 S *	8/2021	Tschopp	D32/16
D932,120 S *	9/2021	Xu	D32/15
D937,508 S *	11/2021	Alexander	D32/15
D940,411 S *	1/2022	Tschopp	D32/15

Related U.S. Application Data

- (63) Continuation of application No. 29/779,890, filed on Apr. 21, 2021, now Pat. No. Des. 940,411, which is a continuation of application No. 29/652,094, filed on May 12, 2020, now Pat. No. Des. 919,909.

- (51) **LOC (13) Cl.** **15-05**
- (52) **U.S. Cl.**
USPC **D32/15**
- (58) **Field of Classification Search**
USPC D32/14-16
CPC B08B 9/051; B08B 9/045; B65H 75/38
See application file for complete search history.

References Cited

U.S. PATENT DOCUMENTS

D499,848 S *	12/2004	Leasure	D32/15
D520,687 S *	5/2006	Ricker	D32/15
D665,545 S *	8/2012	Alexander	D32/15
D675,794 S *	2/2013	Chen	D32/15
D696,824 S *	12/2013	Dammkoehler	D32/15
D728,872 S *	5/2015	Alexander	D32/15
D729,468 S *	5/2015	Dammkoehler	D32/15

* cited by examiner

Primary Examiner — John R Yeh

(74) *Attorney, Agent, or Firm* — Adan Ayala

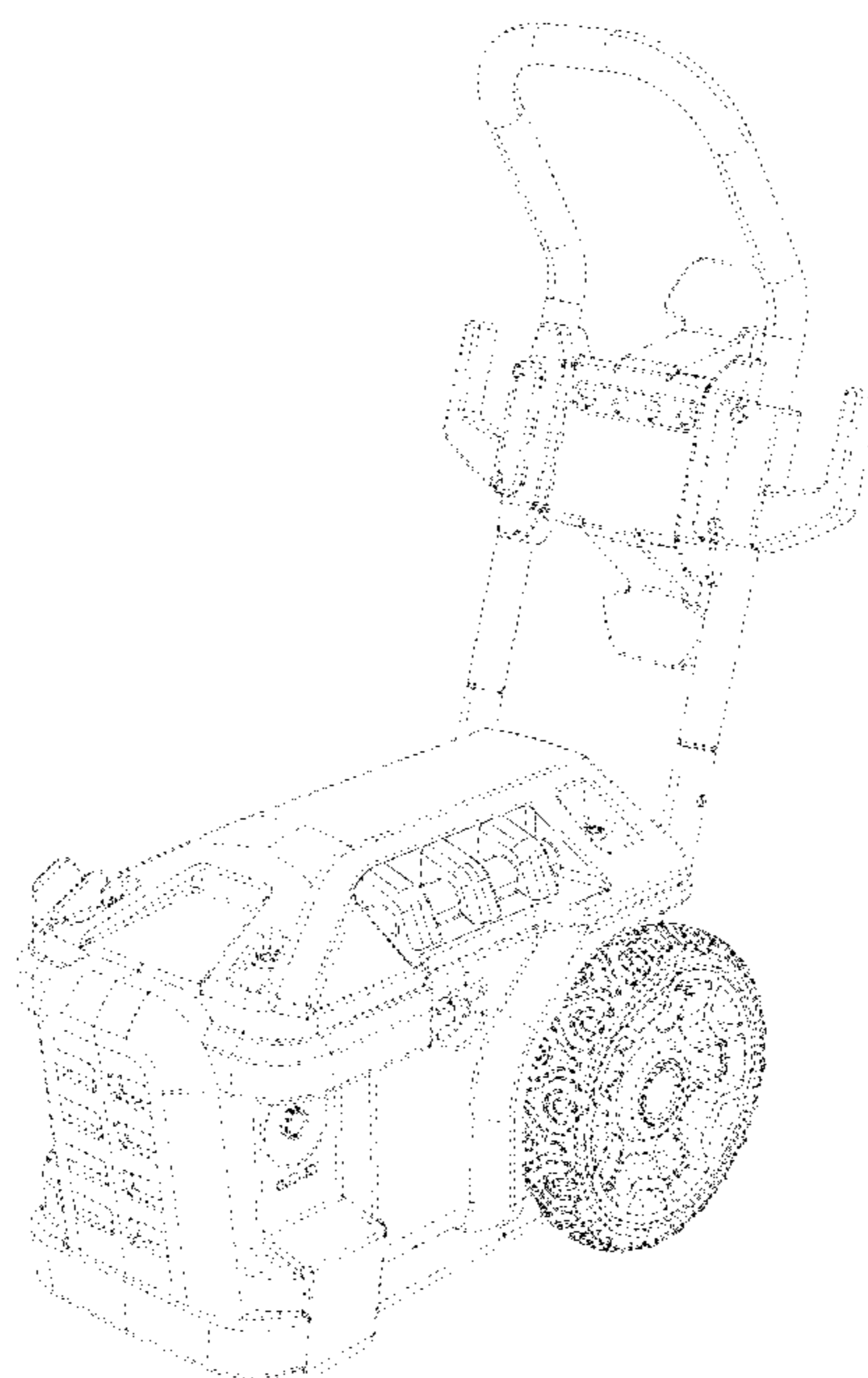
(57) **CLAIM**

The ornamental design for a pressure washer, as shown and described.

DESCRIPTION

FIG. 1 is a front perspective view for a pressure washer according to the invention;
 FIG. 2 is a front elevation view thereof;
 FIG. 3 is a rear elevation view thereof;
 FIG. 4 is a right side elevation view thereof;
 FIG. 5 is a left side elevation view thereof; and,
 FIG. 6 is a top plan view thereof.
 The broken lines in the drawings depict portions of the pressure washer that form no part of the claimed design.

1 Claim, 6 Drawing Sheets



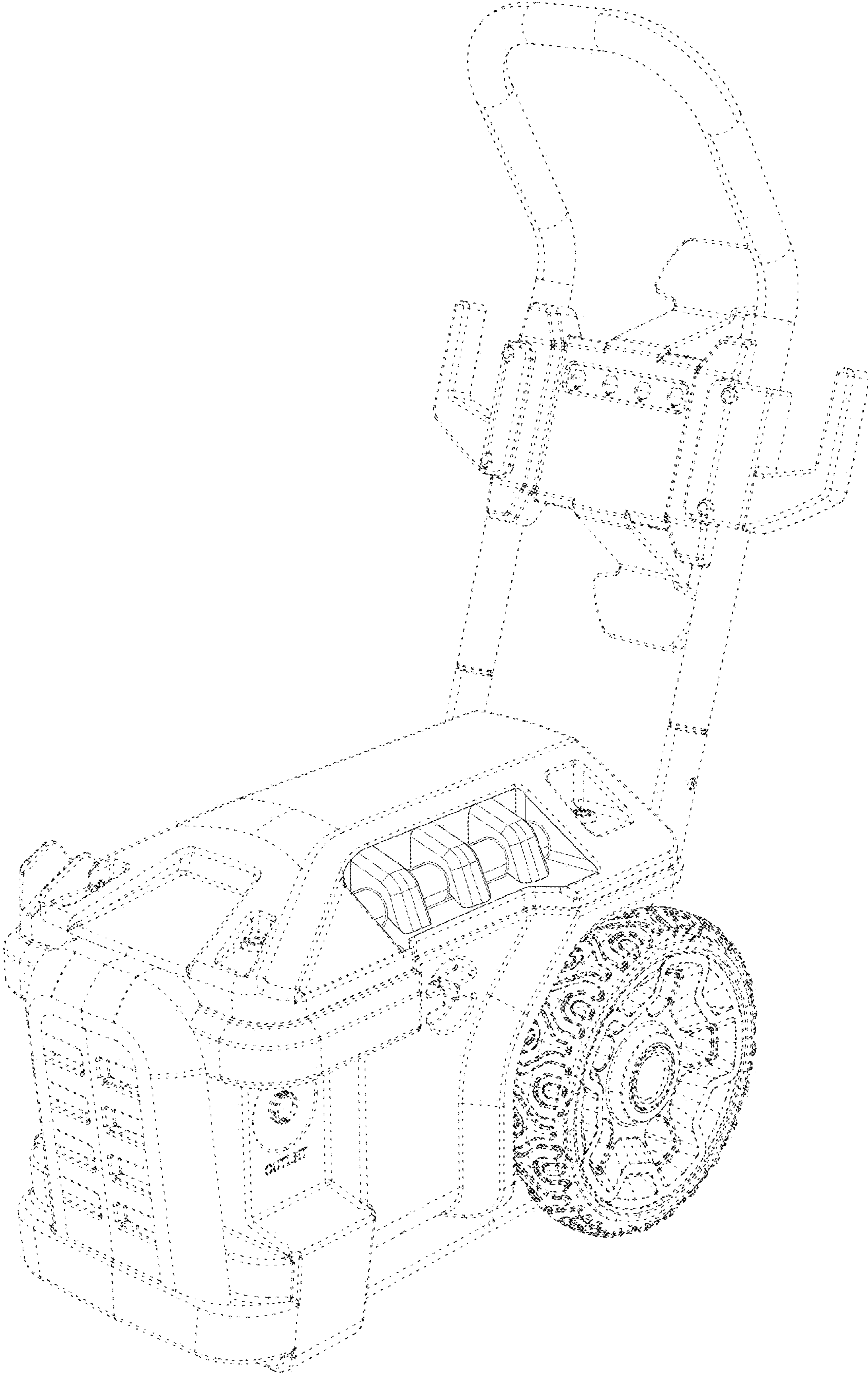


FIG. 1

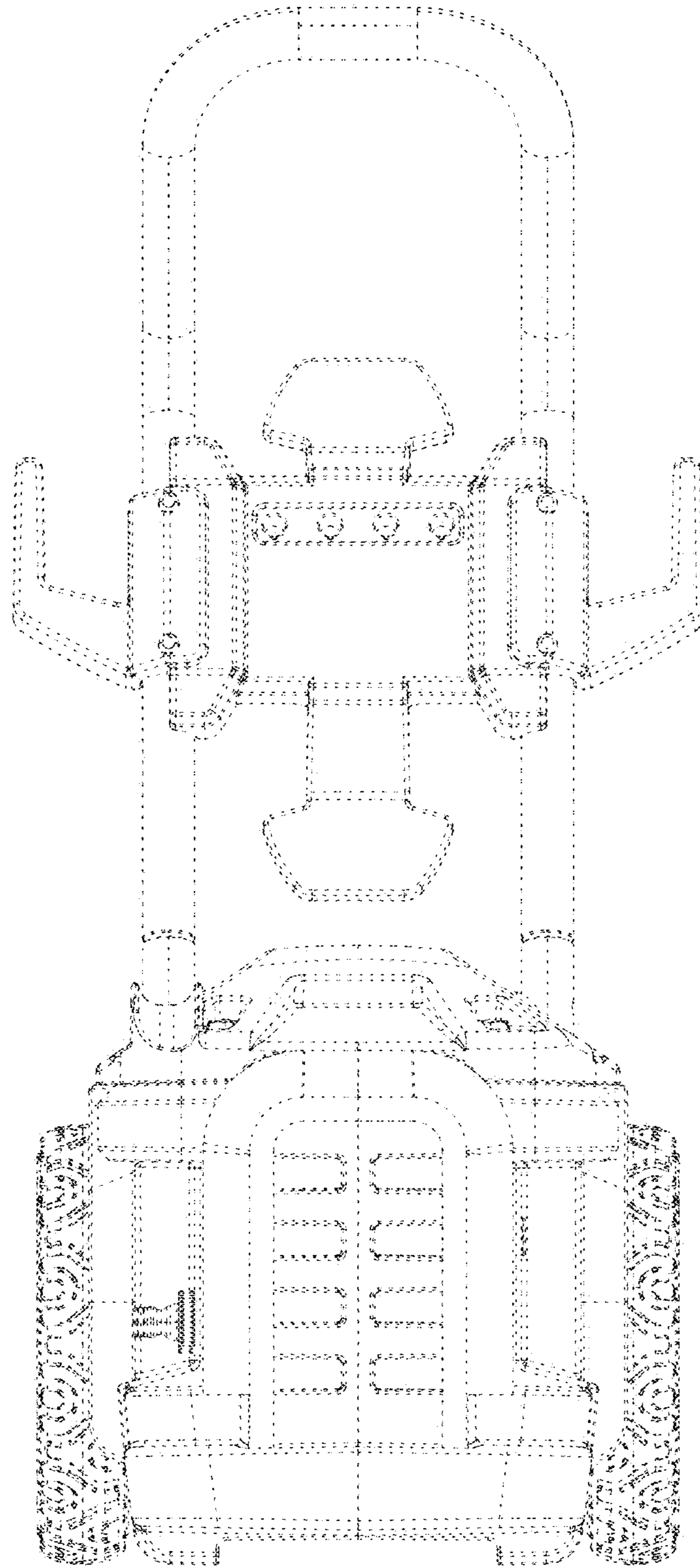


FIG. 2

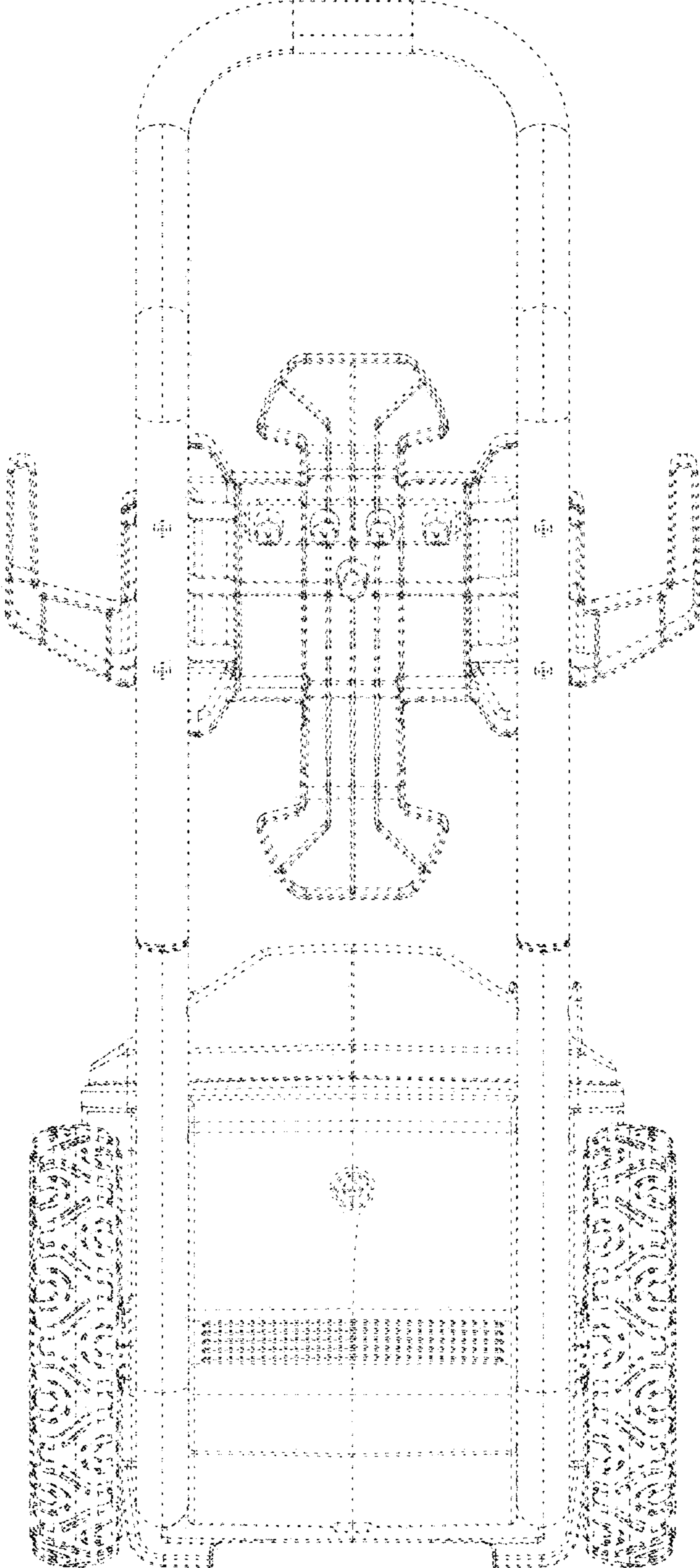


FIG. 3

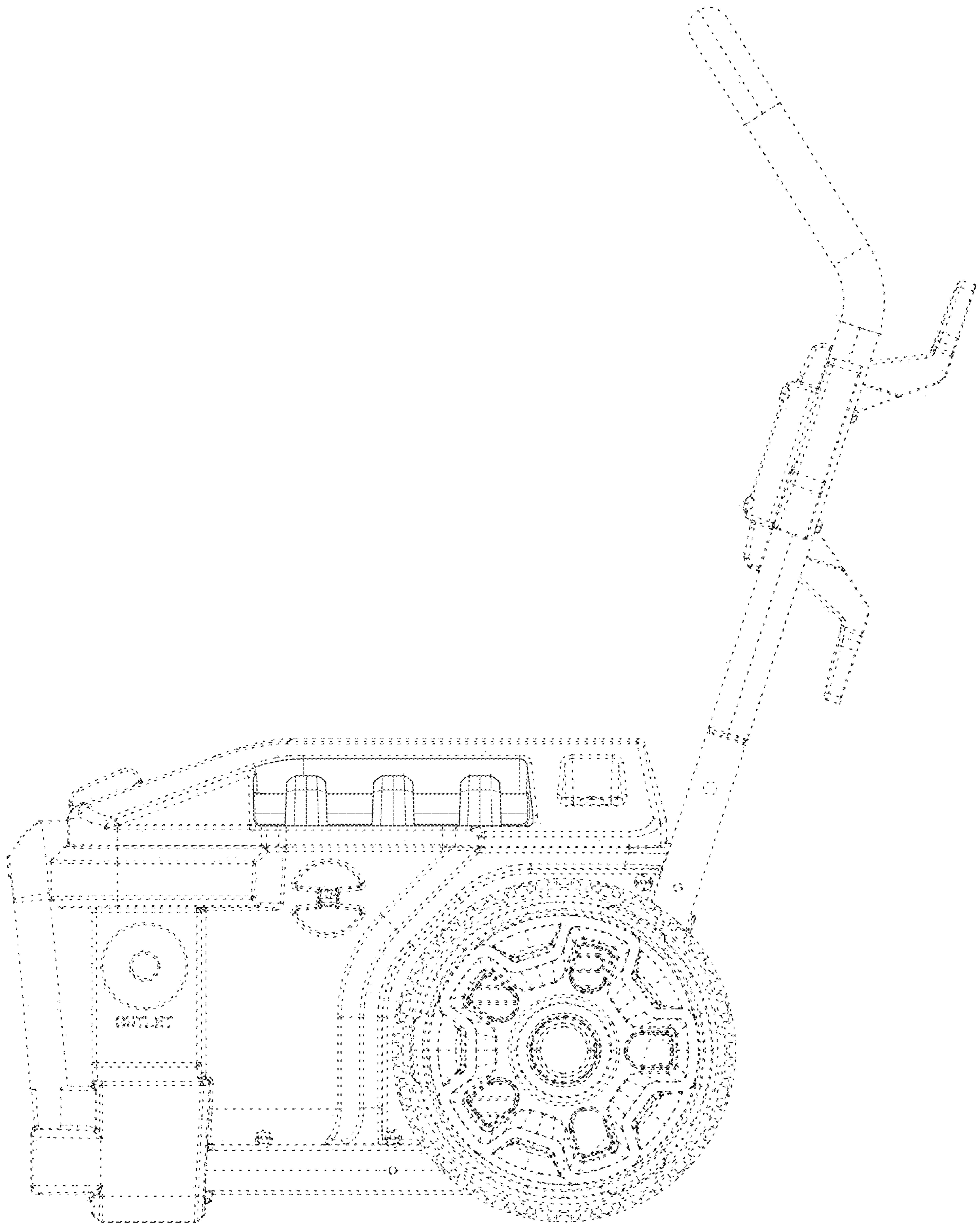


FIG. 4

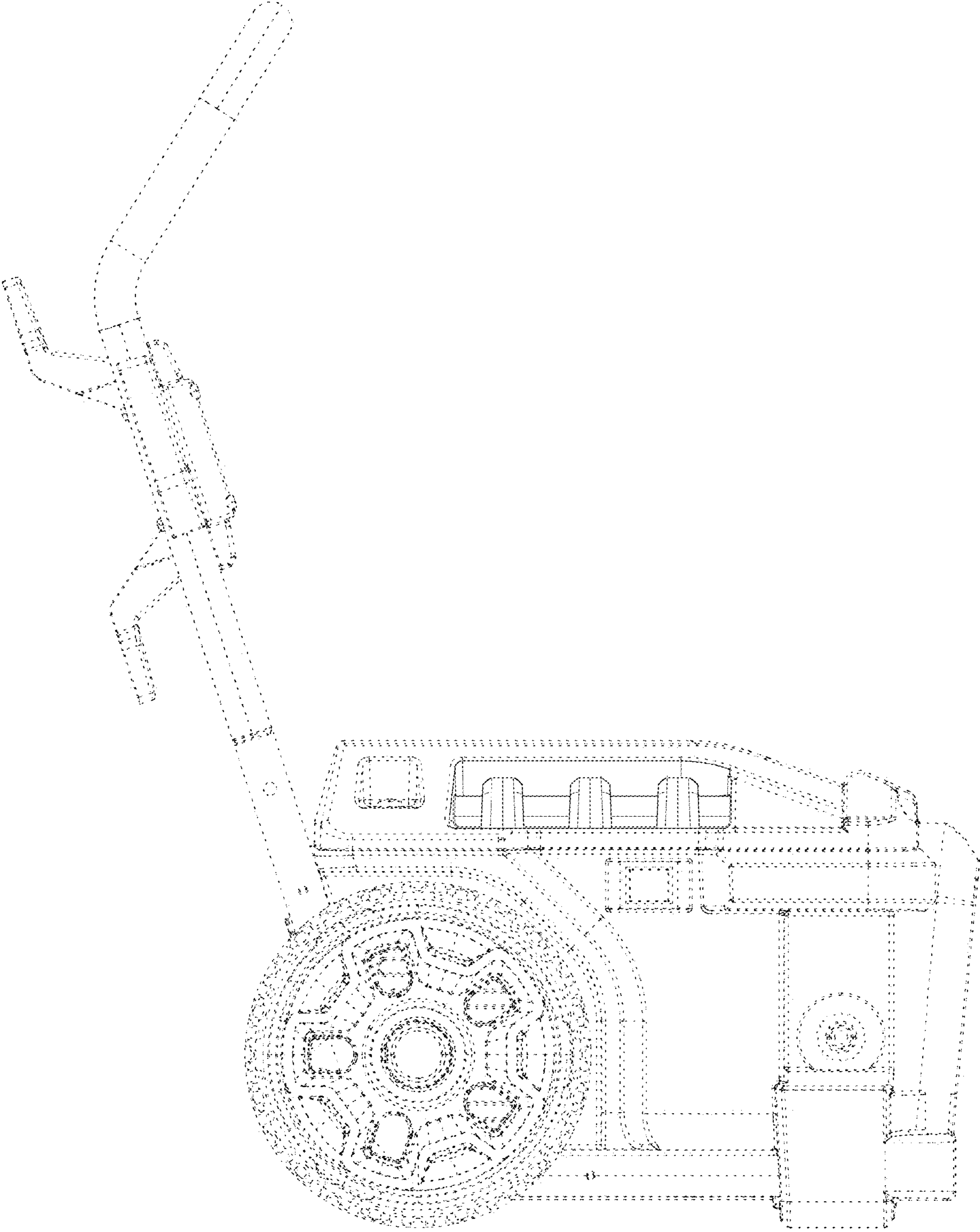


FIG. 5

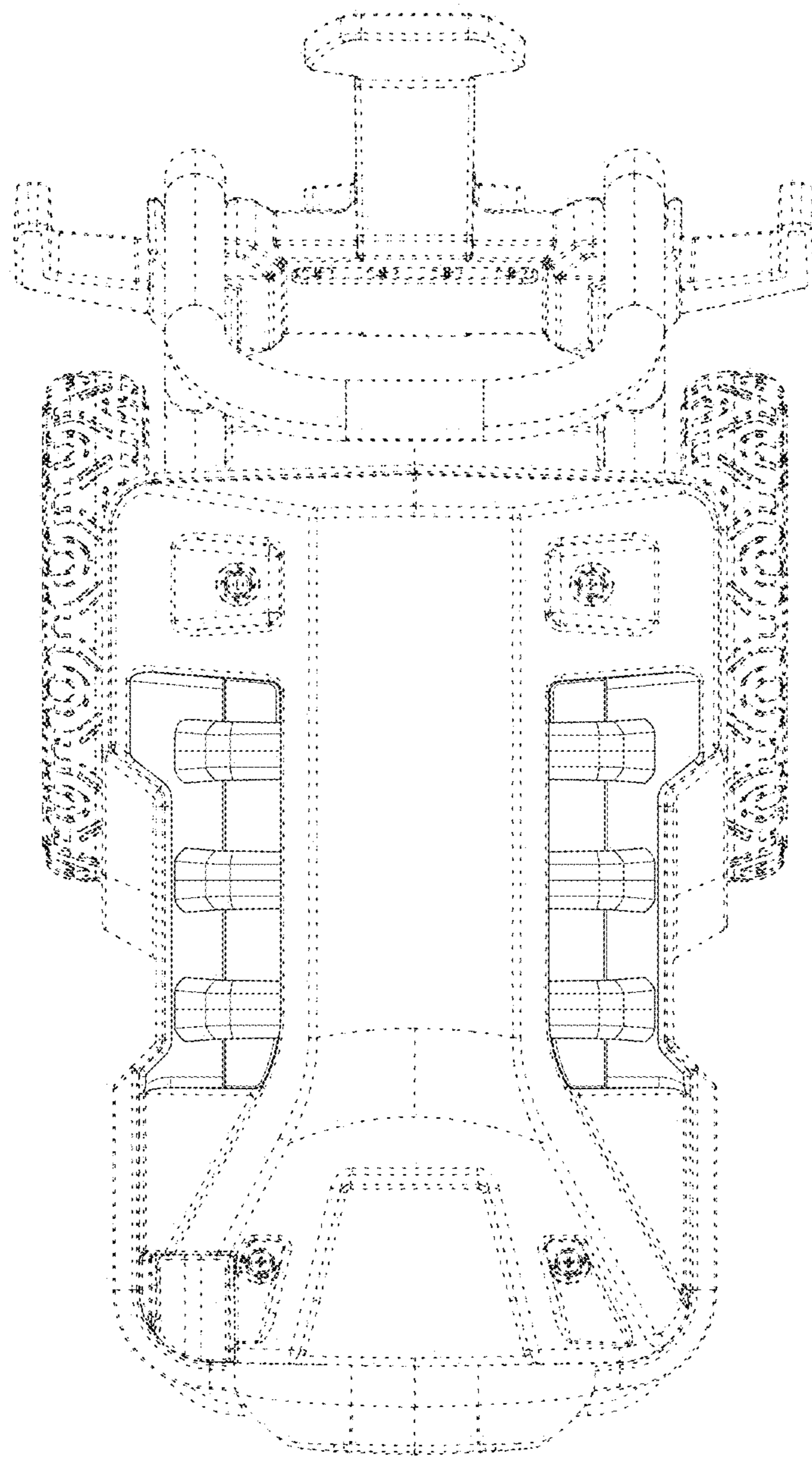


FIG. 6