

US00D972796S

(12) **United States Design Patent**  
**Yang**

(10) **Patent No.:** **US D972,796 S**

(45) **Date of Patent:** **\*\* Dec. 13, 2022**

(54) **LEAF BLOWER**

(71) Applicant: **Shenzhen Lanhai Weiye Electronics Co., Ltd, Shenzhen (CN)**

(72) Inventor: **Ruiping Yang, Shenzhen (CN)**

(\*\*) Term: **15 Years**

(21) Appl. No.: **29/786,447**

(22) Filed: **Jun. 1, 2021**

(51) **LOC (13) Cl.** ..... **15-05**

(52) **U.S. Cl.**

USPC ..... **D32/15**

(58) **Field of Classification Search**

USPC ..... D32/11, 15, 16, 17, 18, 21, 25, 1, 5, 12;  
D15/11, 12; D12/2, 231, 340-343;  
D23/383, 370, 213; 15/300.1, 344, 345  
CPC . A47L 5/14; A47L 9/32; A47L 9/2857; A47L  
9/02; A01G 1/125; A01G 20/47; F04B  
17/00; F04B 35/04; E01H 1/0809; F04D  
25/084; F04D 25/08; F16L 11/15; B25H  
3/006

See application file for complete search history.

(56) **References Cited**

**U.S. PATENT DOCUMENTS**

D297,274 S *	8/1988	Komiya .....	D32/15
D349,983 S *	8/1994	Tuggle .....	D32/15
D359,603 S *	6/1995	Rakocy .....	D32/15
D469,931 S *	2/2003	Nawrozki .....	D32/15
D584,461 S *	1/2009	Sweeney .....	D32/15
D735,960 S *	8/2015	Zhang .....	D32/15
D741,917 S *	10/2015	Tinius .....	D15/15
D748,877 S *	2/2016	Tirone .....	D15/12
D798,513 S *	9/2017	Tinius .....	D32/15
D809,227 S *	1/2018	Tinius .....	D15/12
D834,271 S *	11/2018	Näslund .....	D15/12
D853,061 S *	7/2019	Dretzka .....	D15/12

D853,669 S *	7/2019	Qiu .....	D15/12
D854,265 S *	7/2019	Wachter .....	D15/12
D872,951 S *	1/2020	Mehra .....	D15/12
D877,779 S *	3/2020	Dretzka .....	D15/12
D882,191 S *	4/2020	Baxter .....	D15/12
D926,397 S *	7/2021	Dretzka .....	D15/12
D942,718 S *	2/2022	Wang .....	D32/15
D952,046 S *	5/2022	Huang .....	D21/401
2008/0152487 A1 *	6/2008	Shaffer .....	F04D 25/084 415/208.1

(Continued)

*Primary Examiner* — Mark A Goodwin

(74) *Attorney, Agent, or Firm* — Runit R. Kanakia

(57) **CLAIM**

The ornamental design for a leaf blower, as shown and described.

**DESCRIPTION**

FIG. 1 is a first perspective view of a leaf blower showing my new design;

FIG. 2 is a second perspective view thereof;

FIG. 3 is a front view thereof;

FIG. 4 is a back view thereof;

FIG. 5 is a left side view thereof;

FIG. 6 is a right side view thereof;

FIG. 7 is a top view thereof;

FIG. 8 is a bottom view thereof;

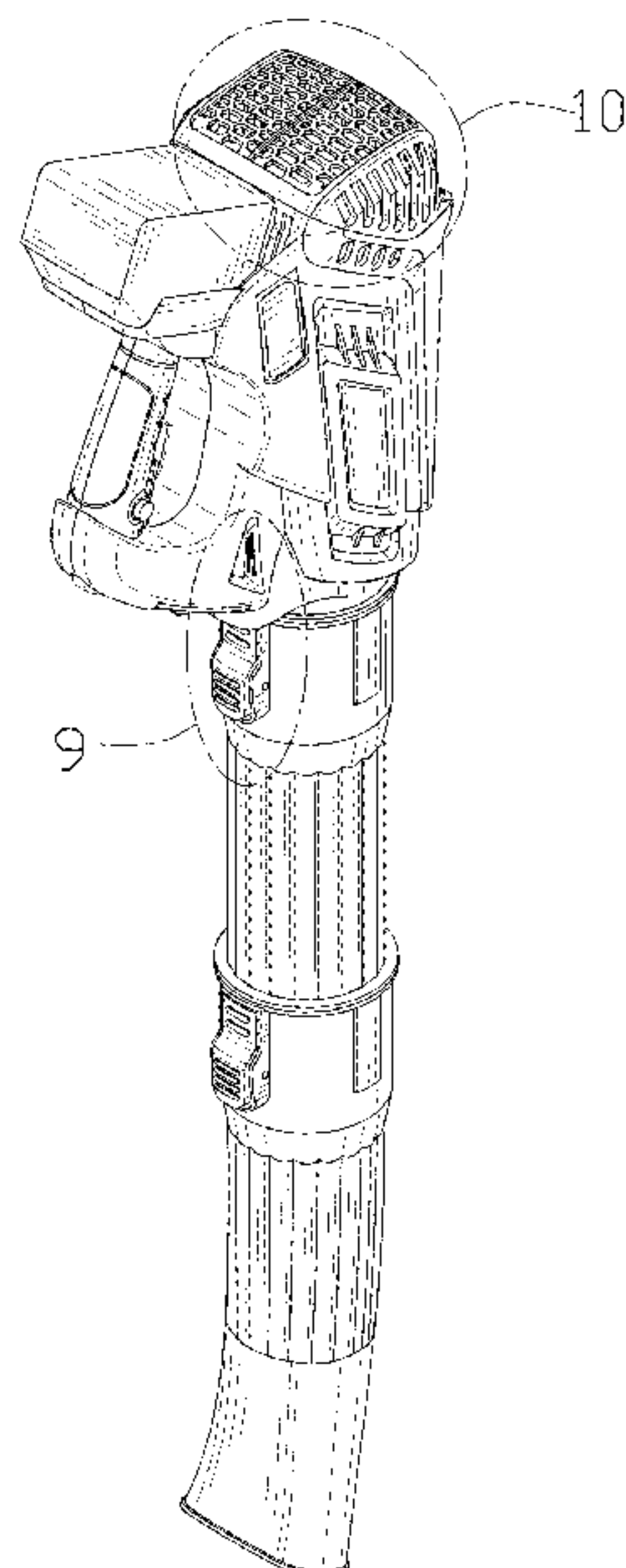
FIG. 9 is an enlarged view of the selected portion in FIG. 1;

FIG. 10 is an enlarged view of the selected portion in FIG. 1; and,

FIG. 11 is an enlarged view of the selected portion in FIG. 2.

The broken lines shown in the drawings depict portions of the leaf blower in which the design is embodied that form no part of the claimed design. The long dash short dash lines in FIGS. 1, 2, 9, 10, and 11, circling portions of the claim showing enlarged areas form no part of the claimed design.

**1 Claim, 11 Drawing Sheets**



(56)

**References Cited**

U.S. PATENT DOCUMENTS

2014/0234130 A1\* 8/2014 Yamaoka ..... F04D 25/0673  
417/234

\* cited by examiner

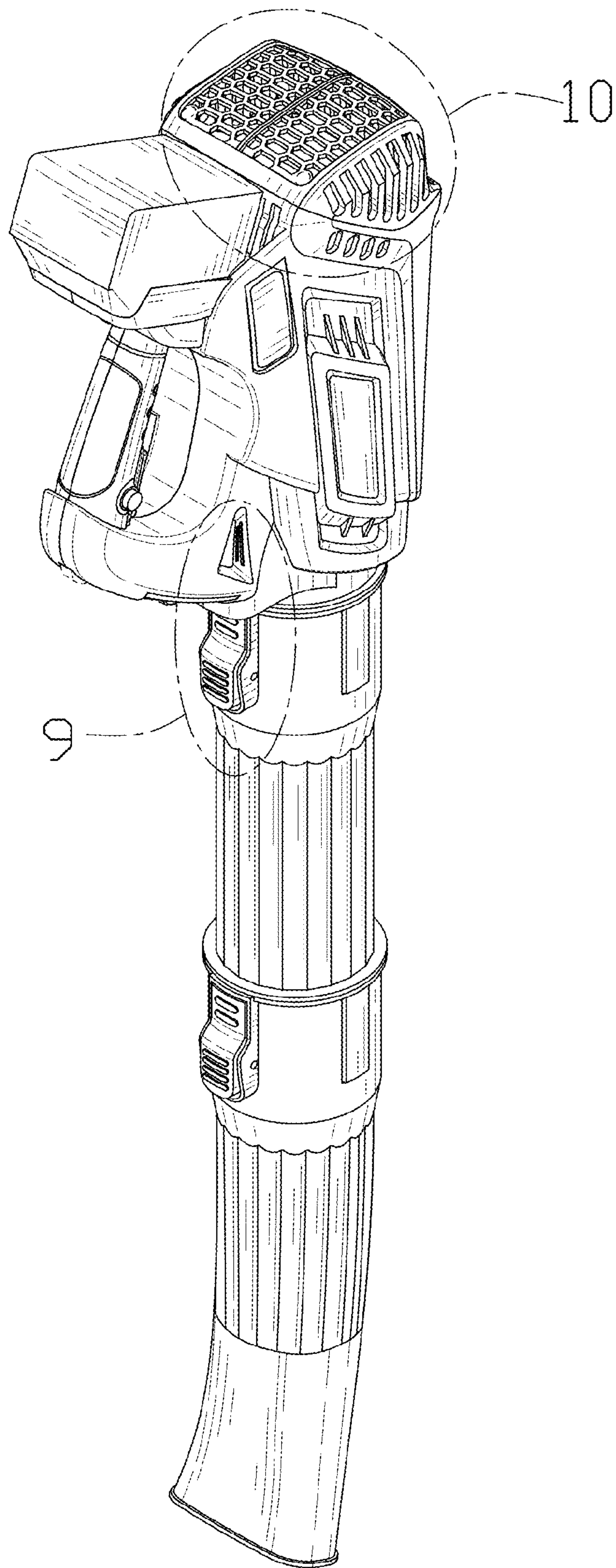


FIG. 1

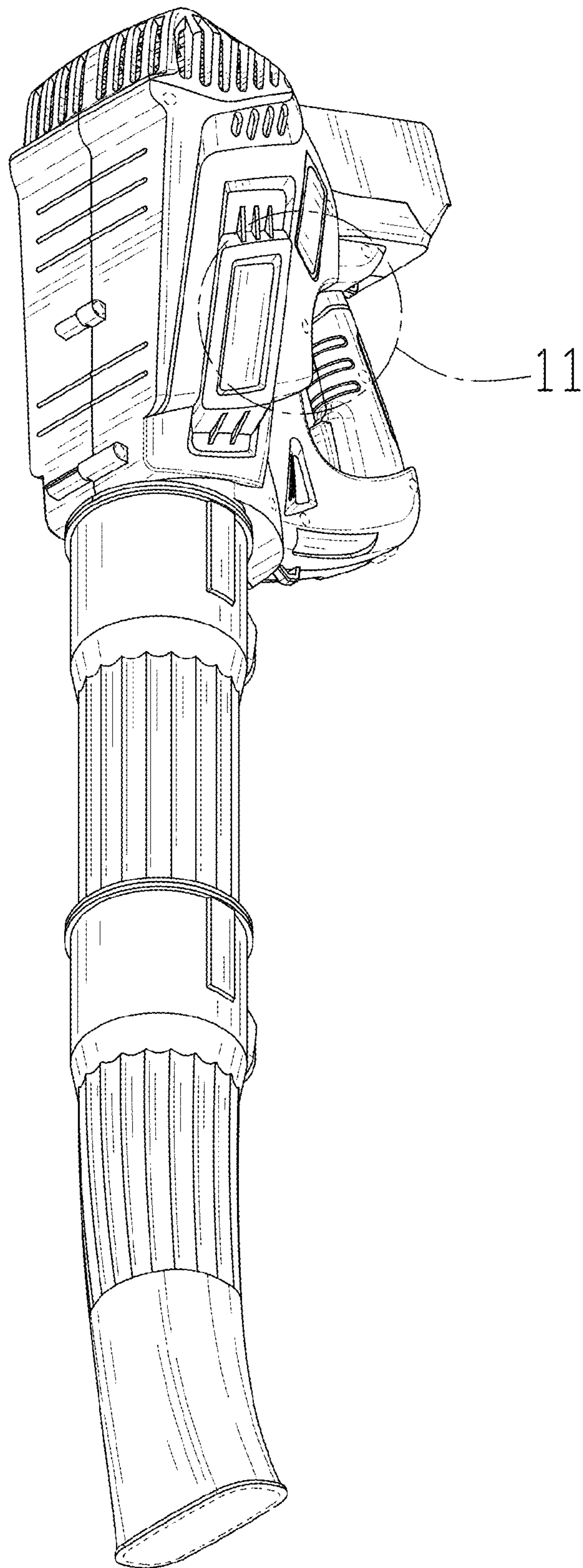


FIG. 2



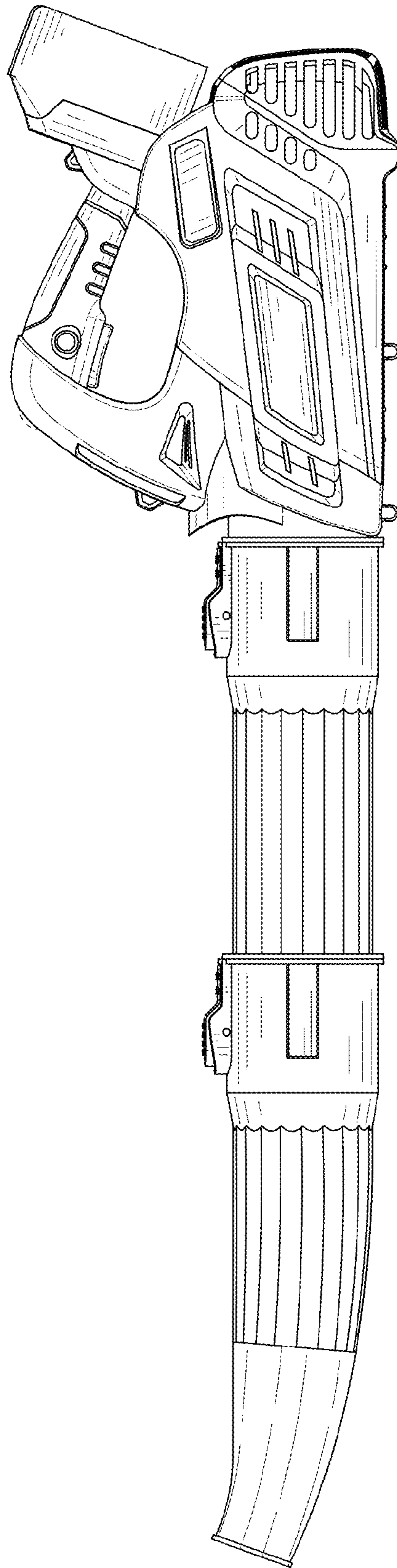


FIG. 3

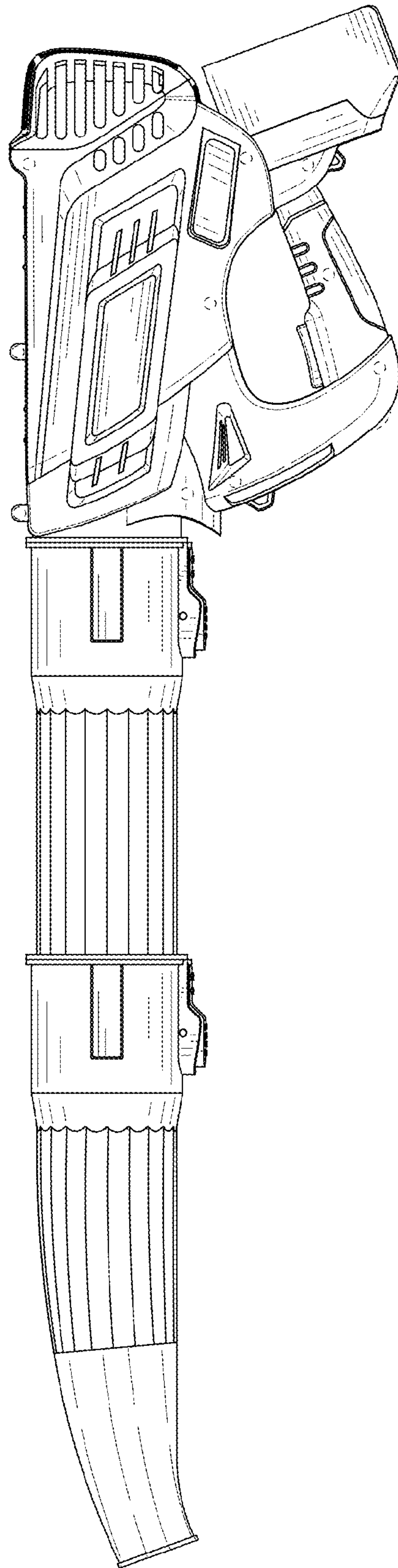


FIG. 4

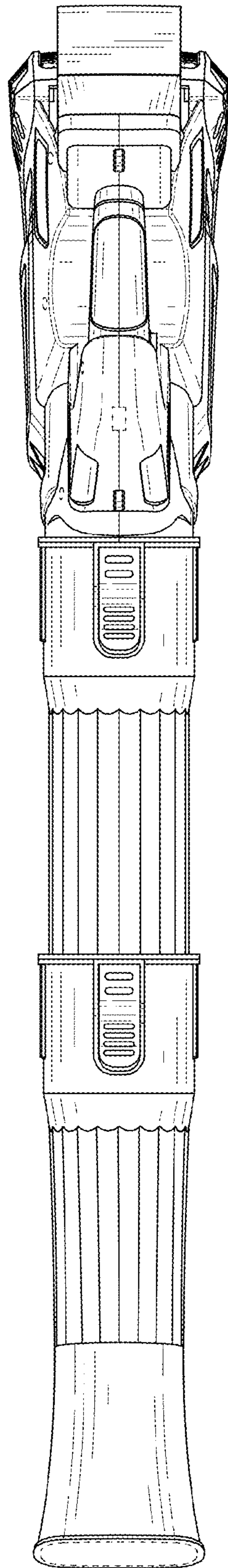


FIG. 5

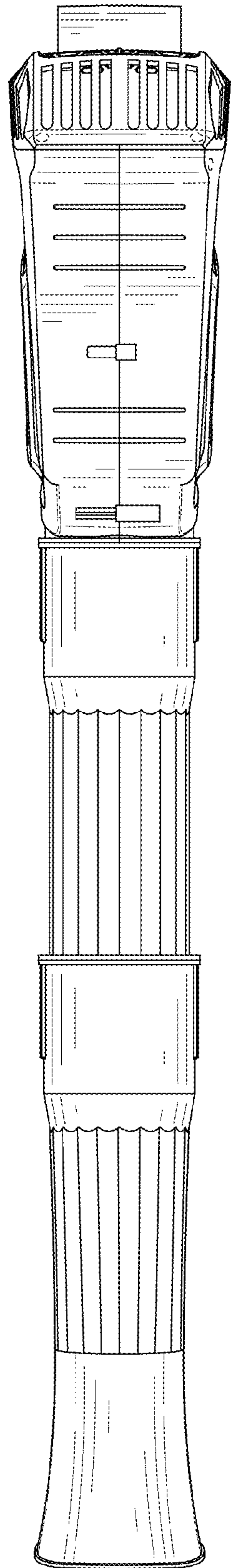


FIG. 6



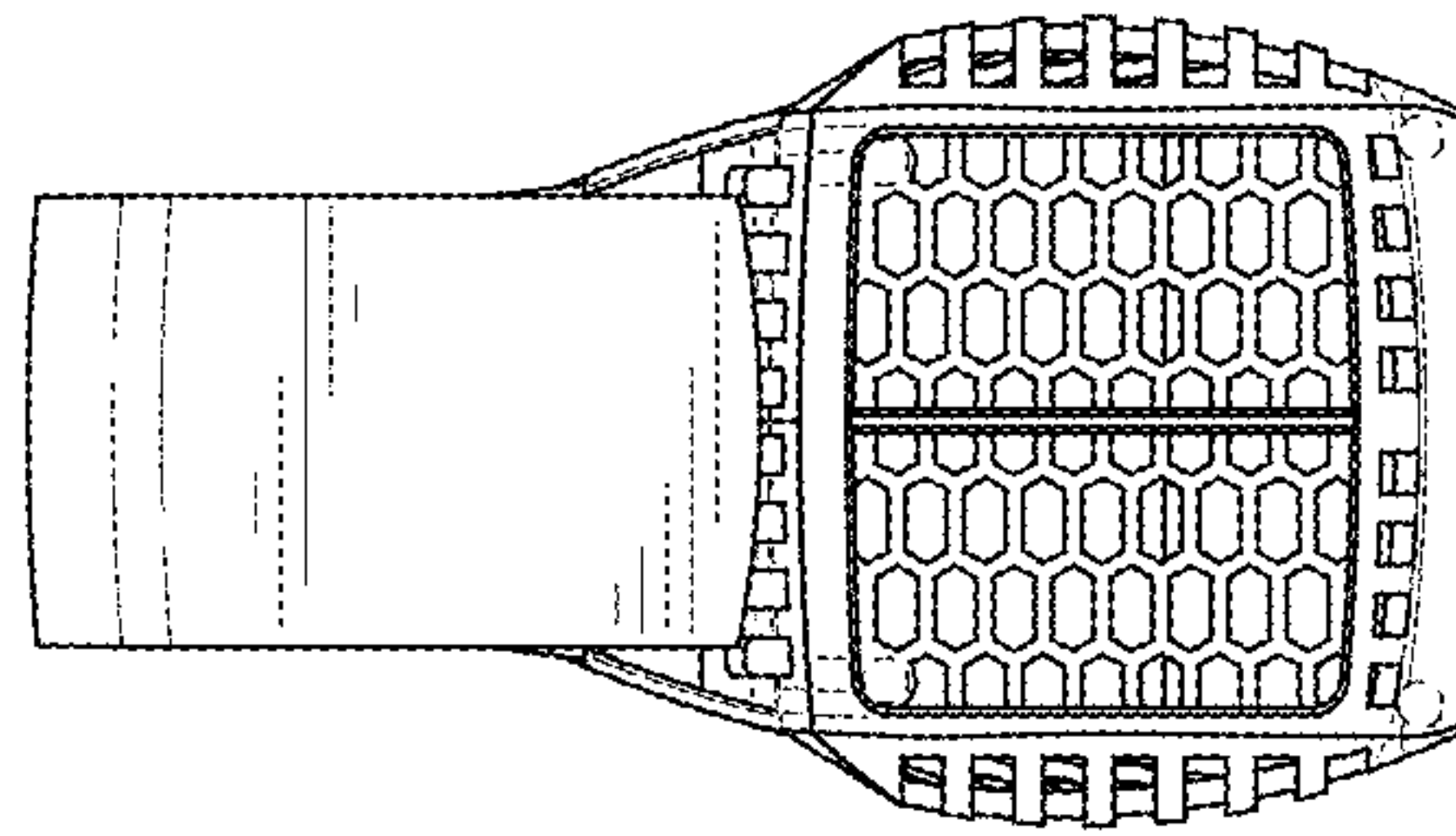


FIG. 7

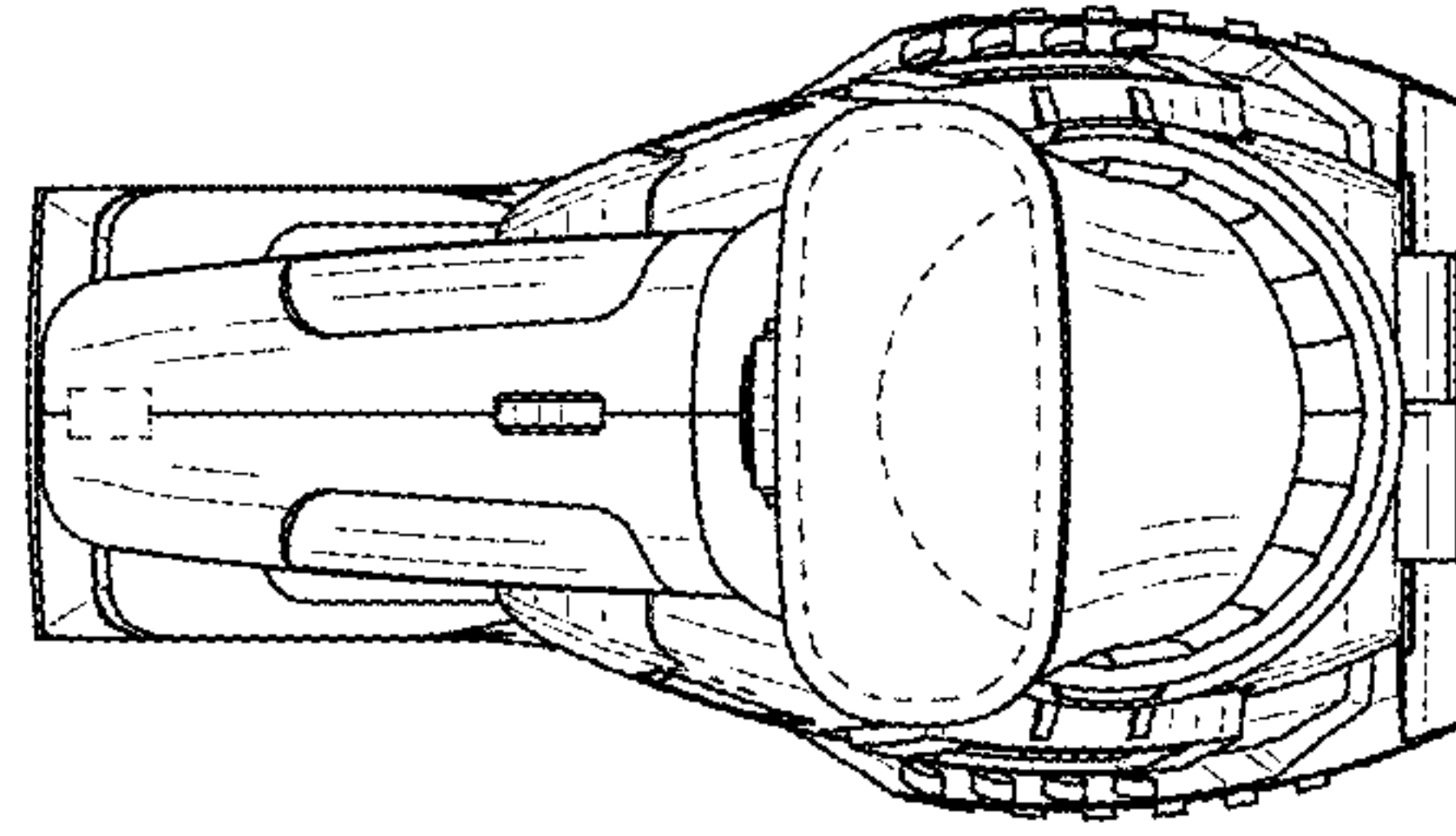


FIG. 8

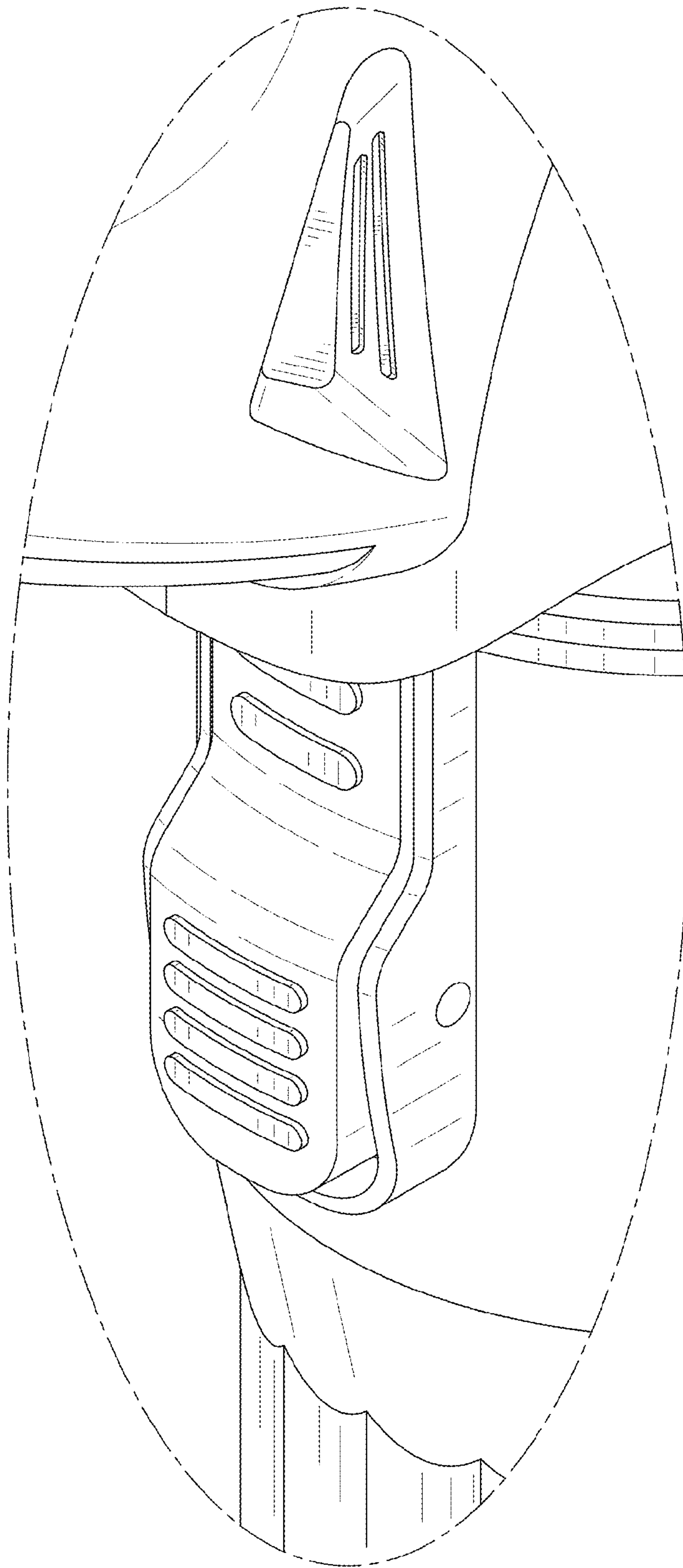


FIG. 9

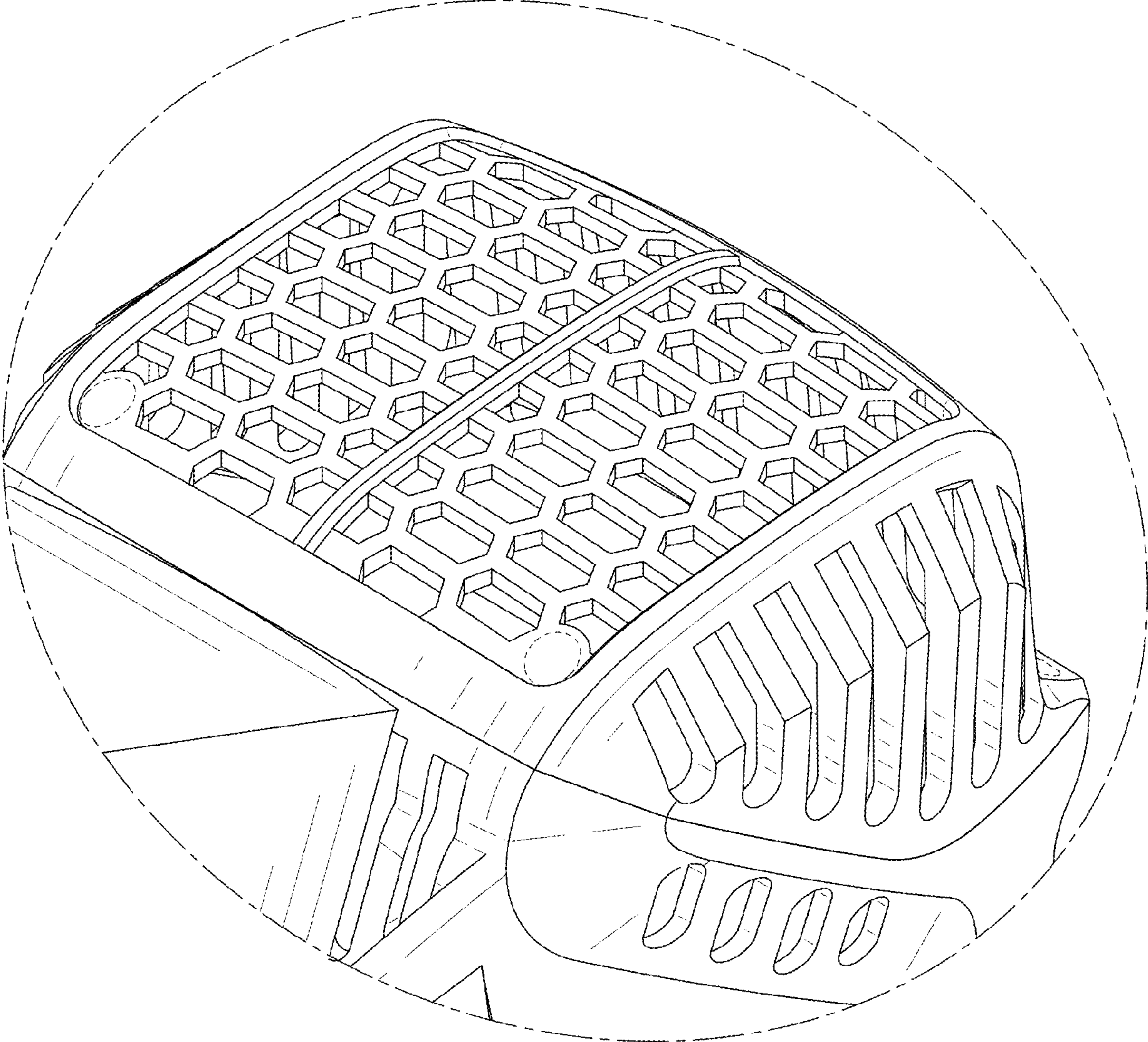


FIG. 10

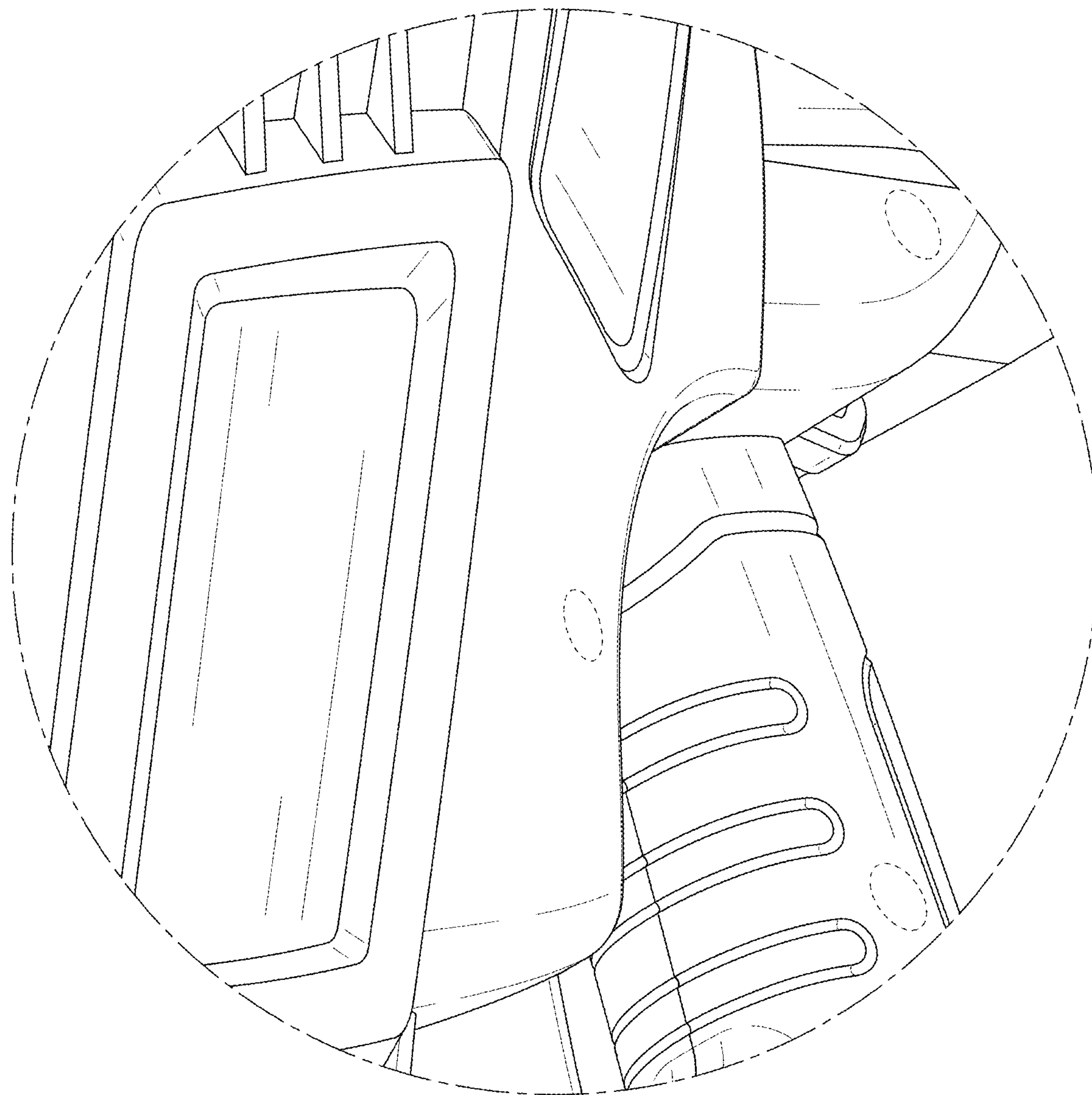


FIG. 11