



US00D972792S

(12) **United States Design Patent** (10) **Patent No.:** **US D972,792 S**
Steinkraus (45) **Date of Patent:** **** Dec. 13, 2022**

- (54) **BALL LAUNCHING DEVICE**
- (71) Applicant: **Gramercy Products, Inc.**, Secaucus, NJ (US)
- (72) Inventor: **William Steinkraus**, Fort Lee, NJ (US)
- (73) Assignee: **Gramercy Products, Inc.**, Secaucus, NJ (US)
- (**) Term: **15 Years**
- (21) Appl. No.: **29/721,584**
- (22) Filed: **Jan. 22, 2020**

2,650,593 A	9/1953	Weil	
3,509,863 A	5/1970	Barker	
3,717,136 A	2/1973	Gay	
3,857,379 A	12/1974	Burghardt	
4,014,307 A	3/1977	Horvath	
D248,988 S *	8/1978	Goldfarb	D21/454
4,169,453 A	10/1979	Hunsicker	
4,241,716 A	12/1980	Tsui	
D261,287 S *	10/1981	Hilko	D21/451
4,367,723 A	1/1983	Resuggan	
4,703,744 A	11/1987	Taylor	
4,709,685 A	12/1987	Kholin	
4,870,945 A	10/1989	Hutchison	
D326,878 S *	6/1992	Suzuki	D21/451
D332,473 S *	1/1993	Chan	D16/202
D337,627 S *	7/1993	Moran	D21/572
5,243,955 A	9/1993	Farless	
5,253,873 A	10/1993	Grattan	
D347,674 S *	6/1994	Delaney	D21/452
5,355,866 A	10/1994	Hunter	
D368,280 S *	3/1996	Brown	D21/454
5,531,209 A	7/1996	Liedtke	
5,579,749 A	12/1996	Wilkinson	

Related U.S. Application Data

- (62) Division of application No. 29/643,300, filed on Apr. 6, 2018, now Pat. No. Des. 877,429.

(51) **LOC (13) Cl.** **30-99**

(52) **U.S. Cl.**
USPC **D30/160**

(58) **Field of Classification Search**
USPC D21/300, 312-318, 328, 411, 430, 436, D21/451-454, 466, 514, 570, 707, 712, D21/715, 722-743, 759; D12/325; D30/160; 446/4, 197; 124/4, 5; 119/702, 706-714; D22/100, 102, 105, D22/199

CPC A01K 15/00; A01K 15/02; A63B 65/00; A63B 65/06; A63B 65/12; A63B 65/122

See application file for complete search history.

(56) **References Cited**

U.S. PATENT DOCUMENTS

583,175 A	5/1897	Harold
824,506 A	6/1906	Obiols
2,287,636 A	6/1942	Hayter
2,318,139 A	5/1943	Calabrese

(Continued)

Primary Examiner — Mehri F Bajoul

(74) *Attorney, Agent, or Firm* — Thomas A. O'Rourke; Bodner & O'Rourke, LLP

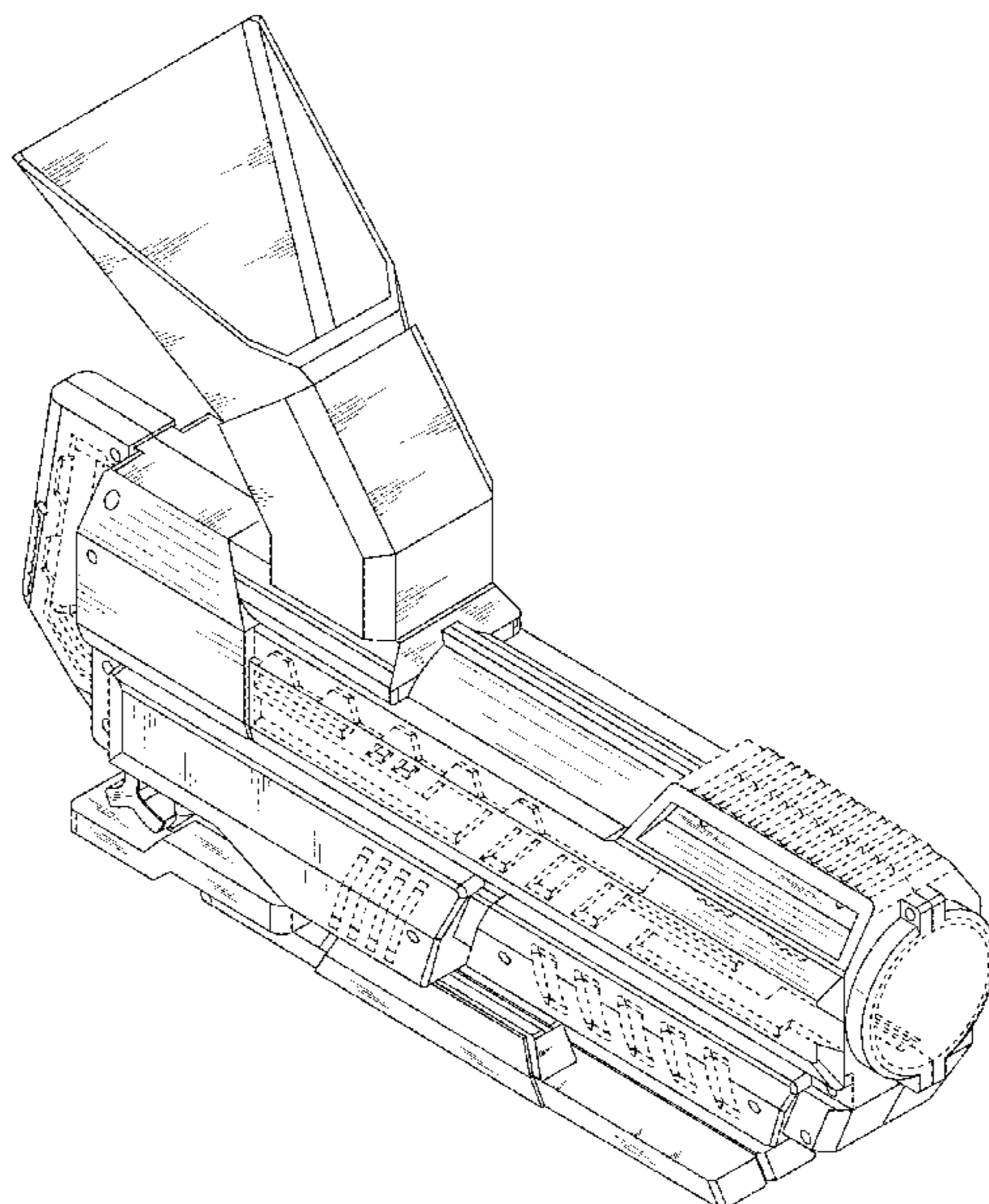
(57) **CLAIM**

The ornamental design for a ball launching device, as shown and described.

DESCRIPTION

FIG. 1 is a perspective view illustrating a new ornamental design for a ball launching device; FIG. 2 is a side elevation view thereof; FIG. 3 is a top plan view thereof; FIG. 4 is a bottom plan view thereof; FIG. 5 is a rear elevation view thereof; and, FIG. 6 is a front elevation view thereof.

1 Claim, 5 Drawing Sheets



(56)

References Cited

U.S. PATENT DOCUMENTS

5,611,321 A *	3/1997	Hoeting	F41B 4/00 124/6	8,720,426 B2 *	5/2014	Hadley	F41B 11/723 124/66
5,791,326 A	8/1998	Brown		D723,114 S *	2/2015	Li	D21/573
5,979,424 A	11/1999	Alvarez		8,967,130 B2	3/2015	Victor	
5,988,152 A	11/1999	Halter		D730,997 S *	6/2015	Nichols	D21/570
6,119,671 A	9/2000	Smith		9,097,484 B2	8/2015	Poirier	
D436,356 S *	1/2001	Lee	D14/418	9,303,942 B2	4/2016	Sievers	
D443,331 S *	6/2001	Lidmar	D22/100	9,352,244 B2	5/2016	Aguila	
6,273,078 B1	8/2001	Schwesinger		D759,168 S *	6/2016	Stack	D21/570
6,523,535 B2	2/2003	Rehkemper		9,719,749 B1	8/2017	Prior	
D481,425 S *	10/2003	Schmitz, III	D21/573	D815,695 S *	4/2018	Waldman	D21/328
D548,409 S *	8/2007	Renforth	D21/444	9,970,732 B2 *	5/2018	Mellen	F41B 3/005
7,287,526 B1 *	10/2007	Bligh	F41B 11/643 124/63	D832,370 S *	10/2018	Chen	D21/573
D557,355 S *	12/2007	Higuchi	D21/572	D839,386 S *	1/2019	Ghorbani	D23/226
D567,331 S *	4/2008	Everett	D23/225	D842,393 S *	3/2019	Xiao	D21/575
D568,882 S *	5/2008	Ashida	D14/400	D855,121 S *	7/2019	Kim	D21/575
D569,562 S *	5/2008	Nazimek	D30/160	D877,277 S *	3/2020	Ribelin	D22/104
7,448,371 B2	11/2008	Sapir		D877,429 S *	3/2020	Steinkraus	D30/160
D594,924 S *	6/2009	Pflaumer	D22/100	D883,401 S *	5/2020	Yang	D21/574
D615,614 S *	5/2010	Tullney	D23/225	D889,056 S *	6/2020	Steinkraus	D30/160
7,905,222 B1	3/2011	Fenley		D889,057 S *	6/2020	Steinkraus	D30/160
7,926,474 B2	4/2011	Berry		D903,789 S *	12/2020	Zheng	D21/572
7,938,110 B2	5/2011	Udwin		D908,175 S *	1/2021	Tang	D21/454
D658,726 S *	5/2012	Greiner	D21/570	D908,816 S *	1/2021	Cheng	D21/573
D660,920 S *	5/2012	Johnson	D21/572	D926,930 S *	8/2021	Camille	D23/225
D660,926 S *	5/2012	Mastin	D21/573	D927,645 S *	8/2021	Davies	D23/226
D664,604 S *	7/2012	Greiner	D21/570	D937,387 S *	11/2021	Mulgrew	D23/226
8,245,702 B2	8/2012	Lendvay		D945,564 S *	3/2022	Yamamoto	D23/226
8,393,299 B1	3/2013	Bernat		D954,160 S *	6/2022	He	D21/572
8,485,170 B1	7/2013	Prior		D956,177 S *	6/2022	Stech	D23/213
D687,904 S *	8/2013	Hadley	D21/573	2006/0242880 A1 *	11/2006	Griffin	F41C 23/04 42/73
D687,905 S *	8/2013	Hadley	D21/573	2007/0084040 A1 *	4/2007	Pflaumer	B22F 5/10 29/527.1
8,671,926 B1	3/2014	Mahlstedt		2008/0148619 A1 *	6/2008	Rogers	F41G 1/35 42/90
				2010/0282227 A1 *	11/2010	Vanek	A63H 33/18 124/27

* cited by examiner

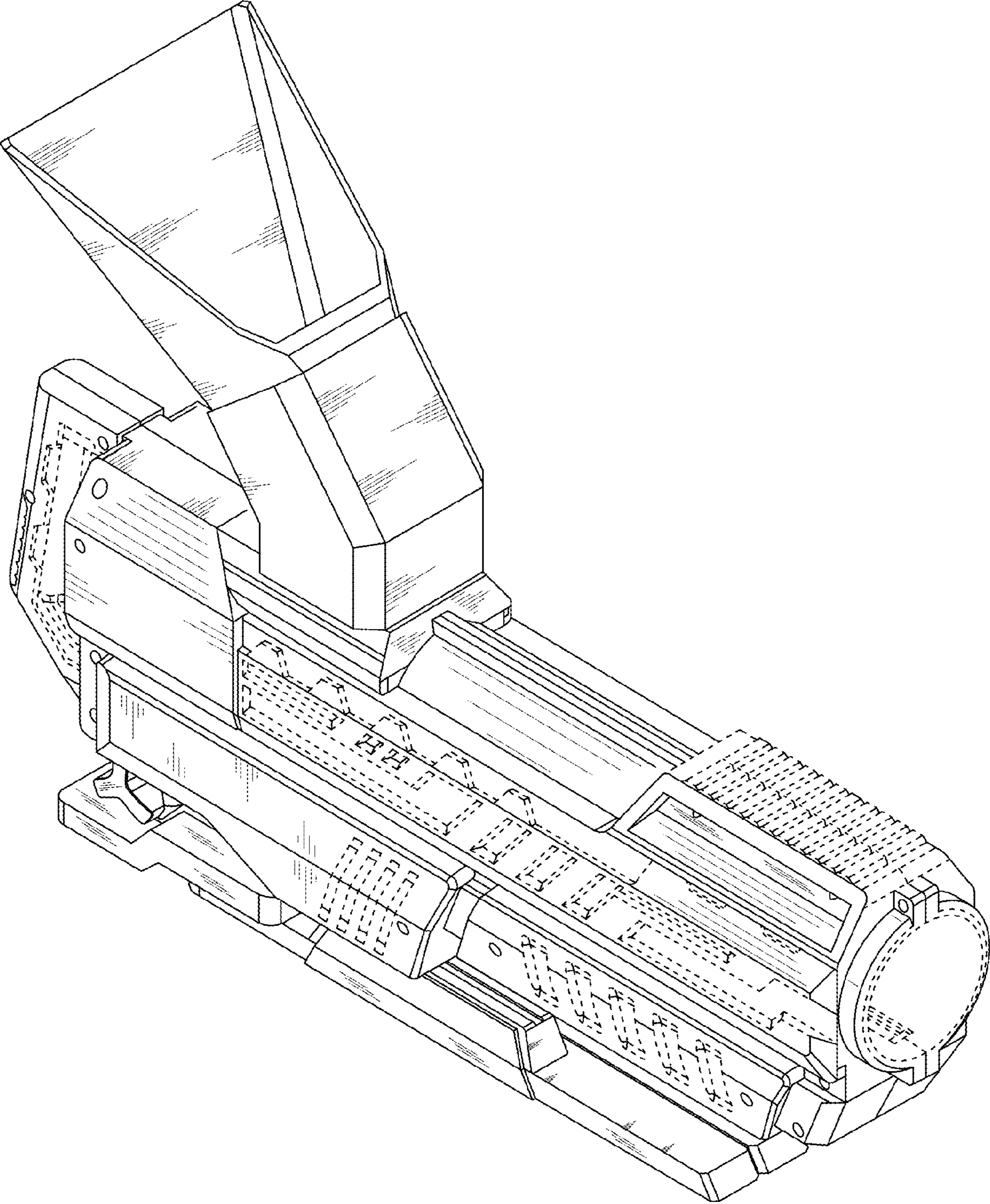


FIG. 1

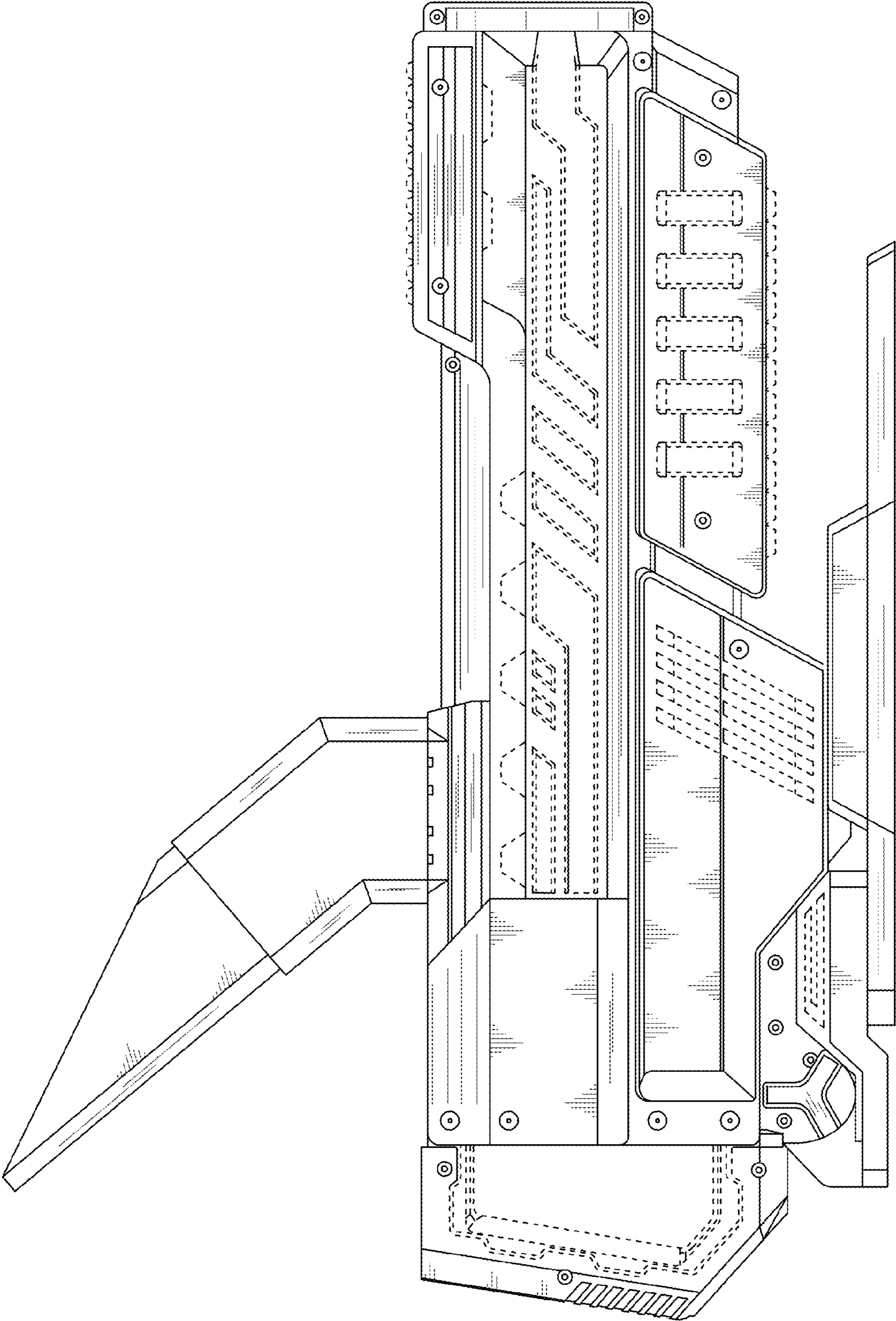


FIG. 2

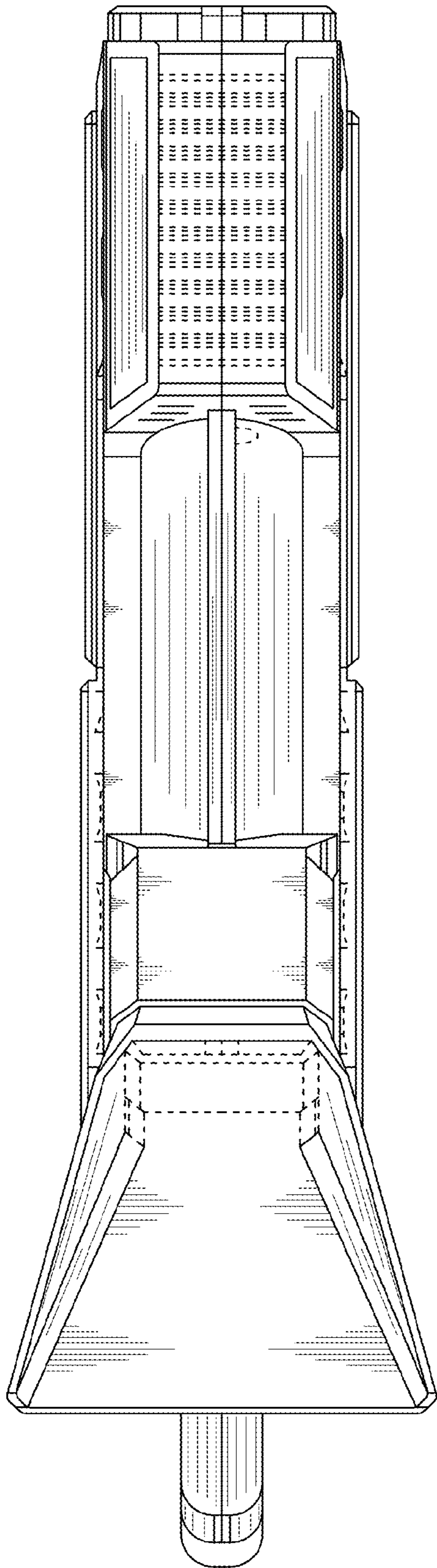


FIG. 3

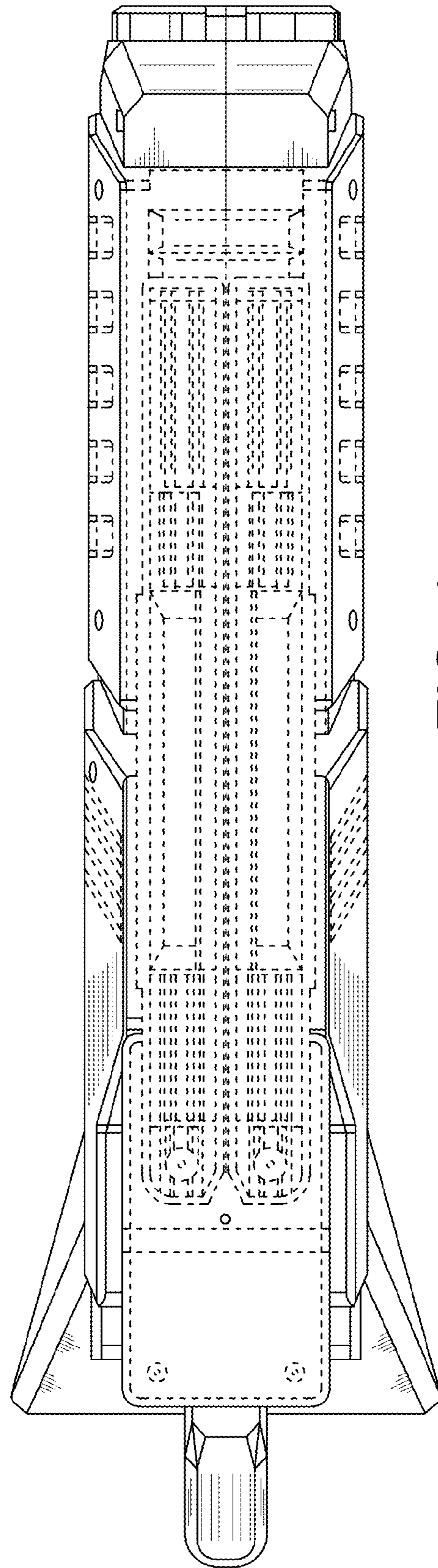


FIG. 4

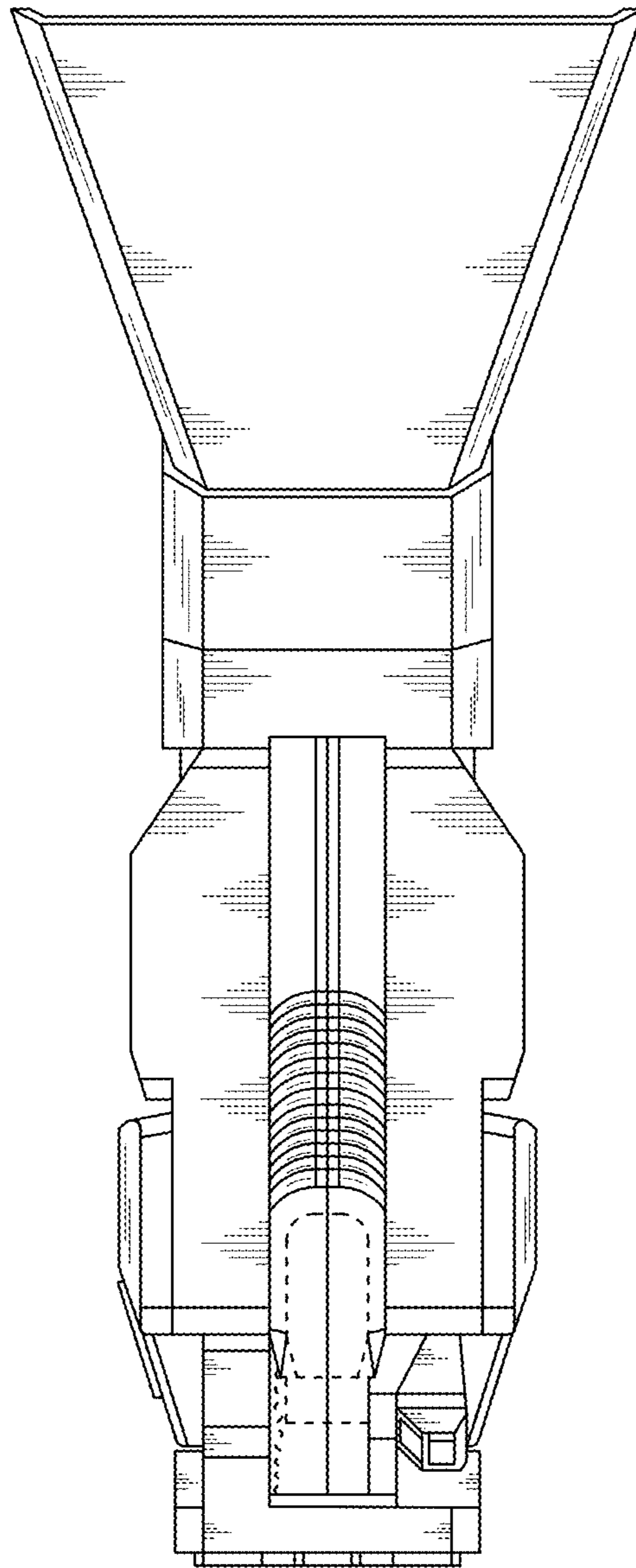


FIG. 5

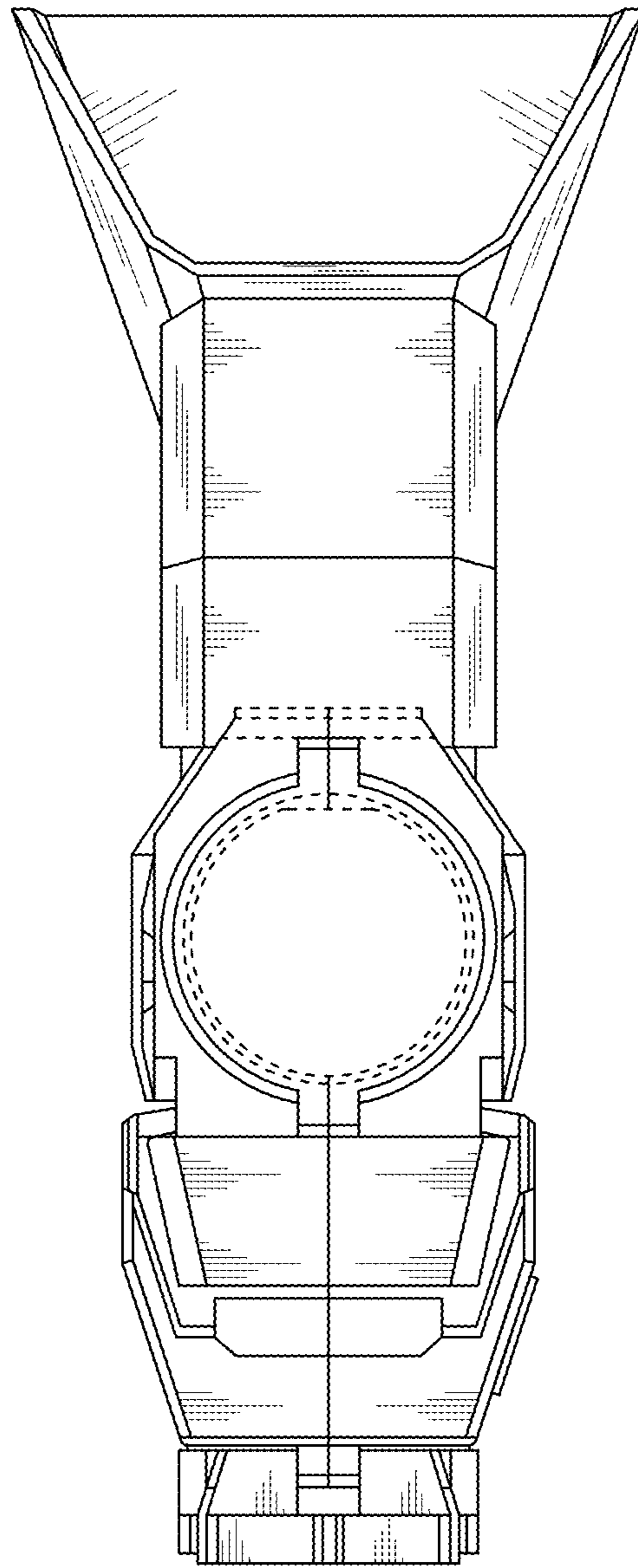


FIG. 6