



US00D972790S

(12) **United States Design Patent** (10) **Patent No.:** **US D972,790 S**
Tang (45) **Date of Patent:** **** Dec. 13, 2022**

(54) **PET BAG**

(71) Applicant: **SHENZHEN FASHION LUMINOUS TECHNOLOGY CO., LTD**, Shenzhen (CN)

(72) Inventor: **Xianjun Tang**, Shenzhen (CN)

(73) Assignee: **SHENZHEN FASHION LUMINOUS TECHNOLOGY CO., LTD**, Shenzhen (CN)

(**) Term: **15 Years**

(21) Appl. No.: **29/799,290**

(22) Filed: **Jul. 13, 2021**

(51) **LOC (13) Cl.** **30-01**

(52) **U.S. Cl.**
USPC **D30/145**

(58) **Field of Classification Search**
USPC D3/216; D10/72; D30/145, 152, 153
CPC A01K 25/00; A01K 27/00; A01K 27/001;
A01K 27/002; A01K 27/003; A01K
27/004; A01K 27/005
See application file for complete search history.

(56) **References Cited**

U.S. PATENT DOCUMENTS

D249,594	S	*	9/1978	Stewart	D3/217
D374,979	S	*	10/1996	Roberson	D3/217
5,644,902	A	*	7/1997	Kemp	B68C 1/00 119/858
D384,780	S	*	10/1997	McLaughlin	D30/162
D415,344	S	*	10/1999	Leibowitz	D3/217
D429,390	S	*	8/2000	Grady	D30/152
D429,391	S	*	8/2000	Grady	D30/152
D457,988	S	*	5/2002	Kerrigan	D30/145
D480,843	S	*	10/2003	Sullivan	A01K 27/008 D30/152
D611,663	S	*	3/2010	Bergschneider	D30/152
D653,409	S	*	1/2012	Elliott	D30/152

D653,411	S	*	1/2012	Elliott	D30/152
D736,482	S	*	8/2015	Lapresca	D30/152
D784,005	S	*	4/2017	Zheng	D3/217
D833,089	S	*	11/2018	Stanek	D30/152

(Continued)

FOREIGN PATENT DOCUMENTS

CN	306252001	*	12/2020
JP	D1295270	*	3/2007
KR	300841040	*	2/2016

OTHER PUBLICATIONS

Stock Show Pet Dog Cartoon Backpack Harness with Leash, available in Amazon.com, date first available Nov. 6, 2017 [online], [site visited Sep. 23, 2022], Available from the internet URL: <https://www.amazon.com/Stock-Show-Cartoon-Backpack-Training/dp/B0777M68N9> (Year: 2017).*

(Continued)

Primary Examiner — Jennifer L Rempfer
Assistant Examiner — Elizabeth Anne Glassberg

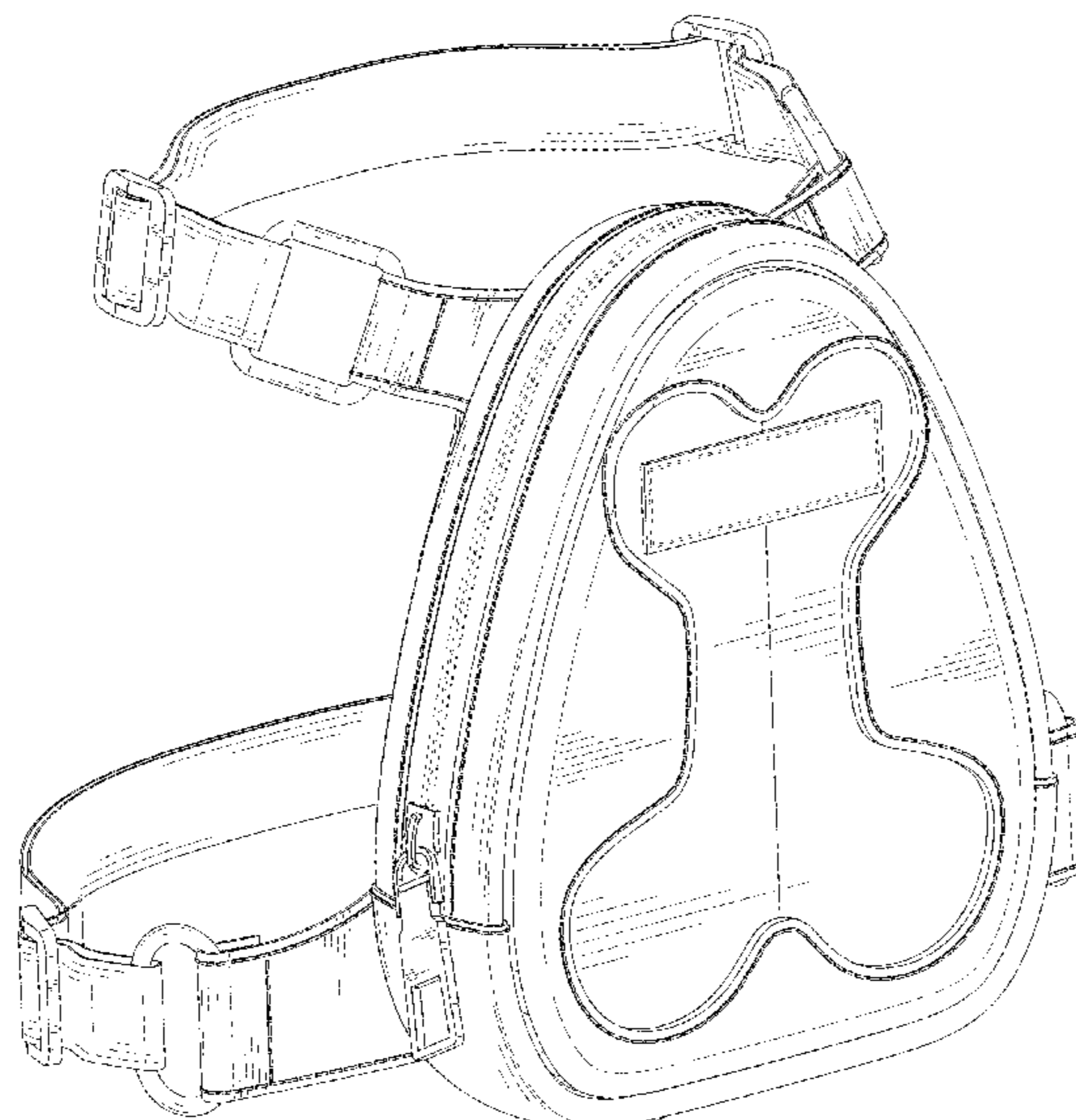
(57) **CLAIM**

The ornamental design for a pet bag, as shown and described.

DESCRIPTION

FIG. 1 is a perspective view of a pet bag showing my new design;
FIG. 2 is another perspective view thereof;
FIG. 3 is a front elevational view thereof;
FIG. 4 is a rear elevational view thereof;
FIG. 5 is a left side elevational view thereof;
FIG. 6 is a right side elevational view thereof;
FIG. 7 is a top plan view thereof; and,
FIG. 8 is a bottom plan view thereof.
The broken lines in the drawings depict portions of the pet bag that form no part of the claimed design.

1 Claim, 8 Drawing Sheets



(56)

References Cited

U.S. PATENT DOCUMENTS

D847,494 S * 5/2019 Tang D3/217
D867,750 S * 11/2019 Warren D3/217
D885,690 S * 5/2020 Han D30/152
D893,811 S * 8/2020 Wu D30/152
D936,299 S * 11/2021 Wu D30/152
2007/0187442 A1 * 8/2007 Martin A01K 29/00
224/148.2
2008/0072846 A1 * 3/2008 Albright A01K 27/004
119/792
2017/0215385 A1 * 8/2017 Hansen A01K 27/002
2021/0120931 A1 * 4/2021 Palagano A45C 13/08
2022/0117199 A1 * 4/2022 Rigoni A01K 27/008

OTHER PUBLICATIONS

Guardians Pet Backpack Small Dog, available in Amazon.ca, date first available Mar. 31, 2020 [online], [site visited Sep. 23, 2022], Available from the internet URL: <https://www.amazon.ca/Guardians-Backpack-Carrier-Pocket-Training/dp/B07SQ7D49T?th=1> (Year: 2020).*

HACRAHO Pet Backpack Harness with Leash, available in Amazon.ca, date first available Oct. 22, 2021 [online], [site visited Sep. 23, 2022], Available from the internet URL: <https://www.amazon.ca/HACRAHO-Strawberry-Embroidery-Removable-360%B0Rotating/dp/B09K431NSF> (Year: 2021).*

* cited by examiner



FIG. 1

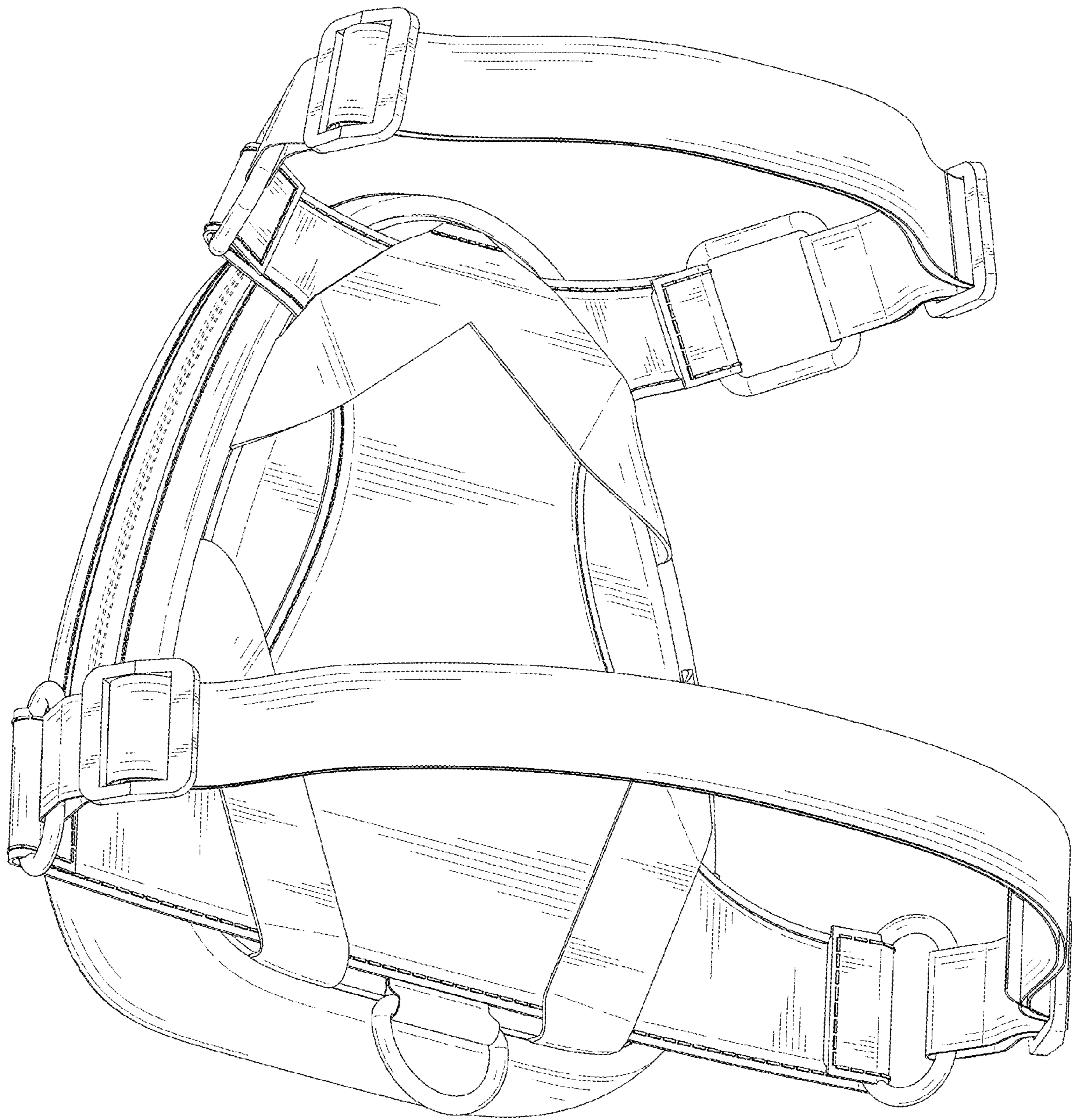


FIG. 2

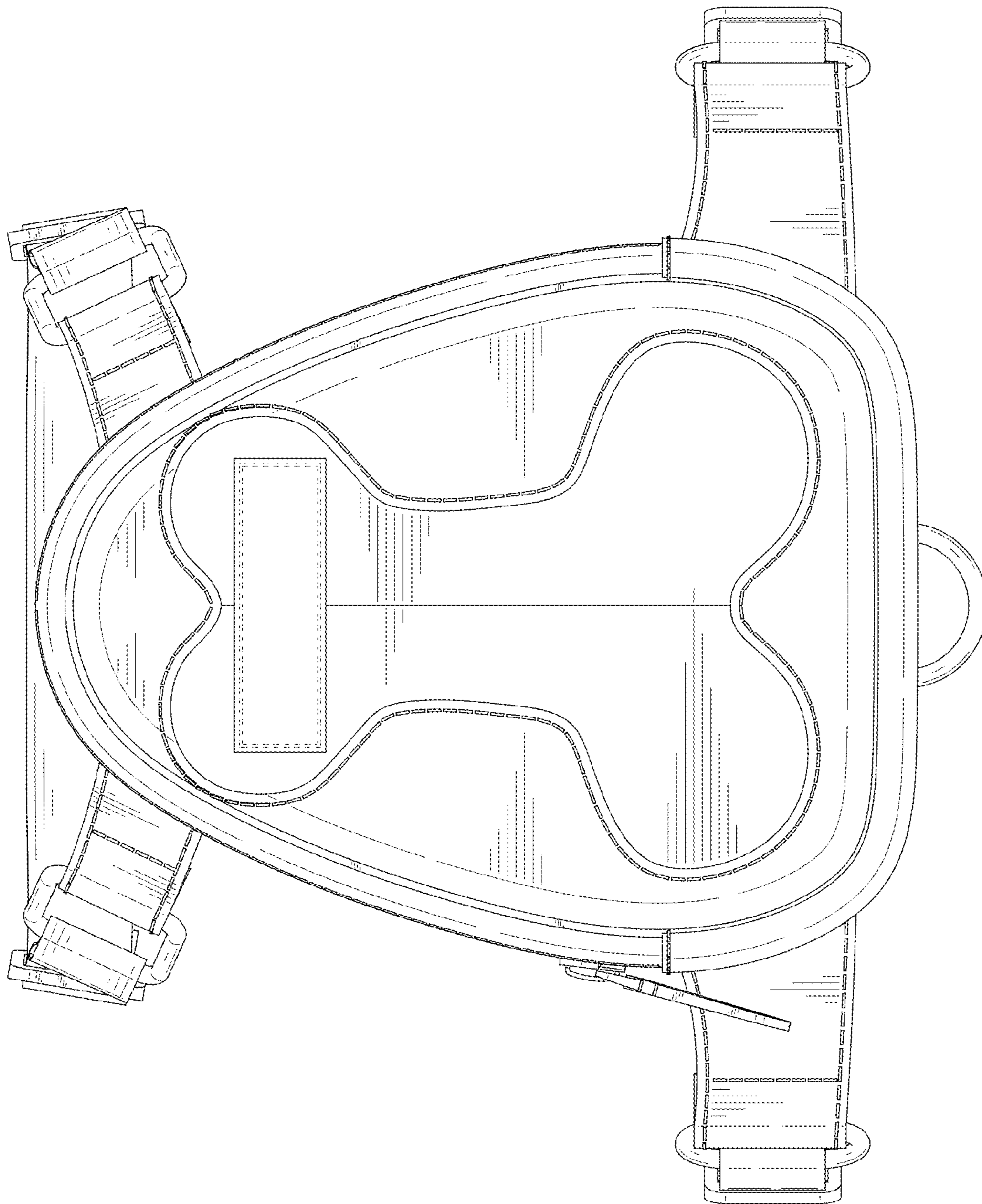


FIG. 3

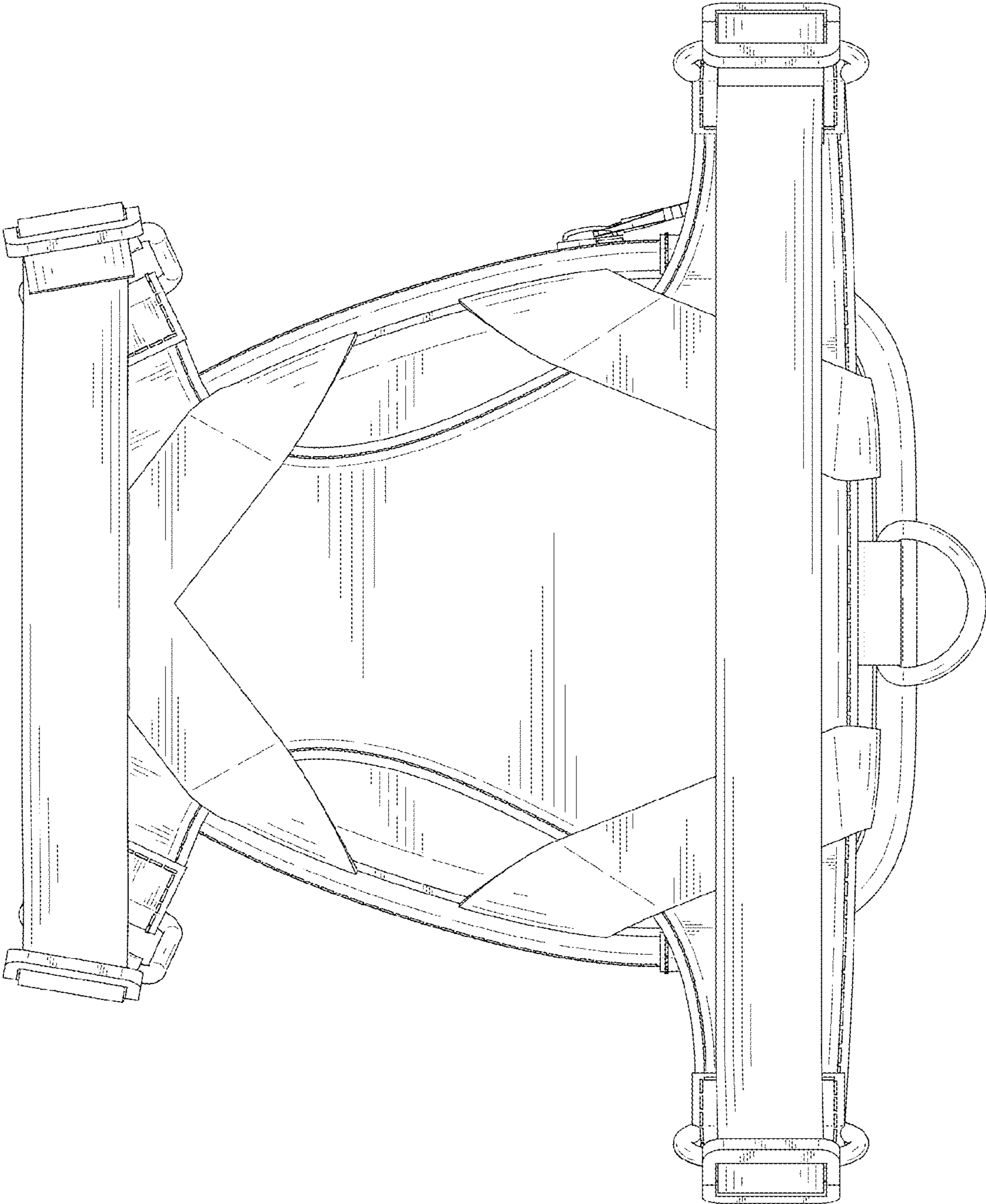


FIG. 4

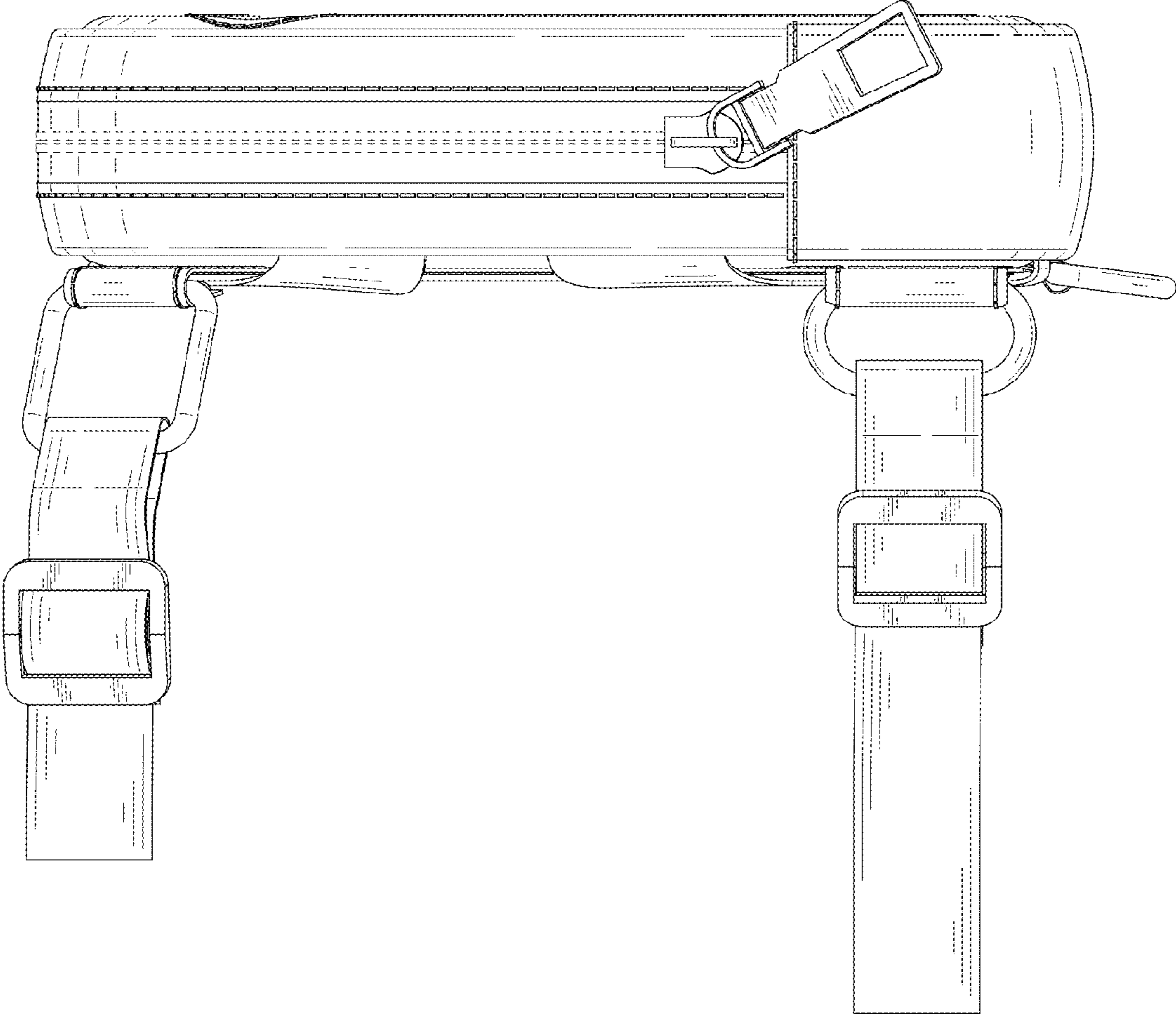


FIG. 5

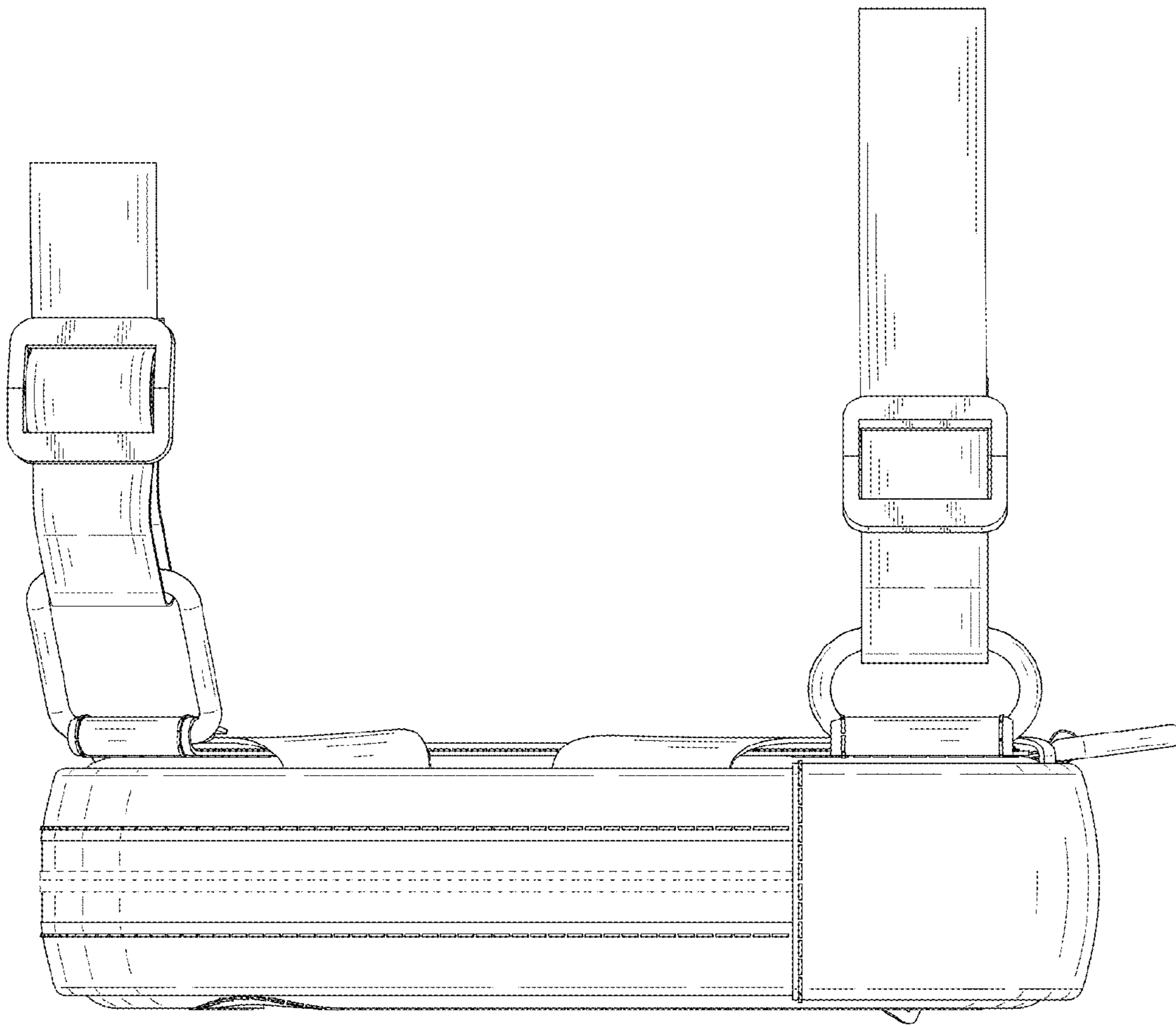


FIG. 6

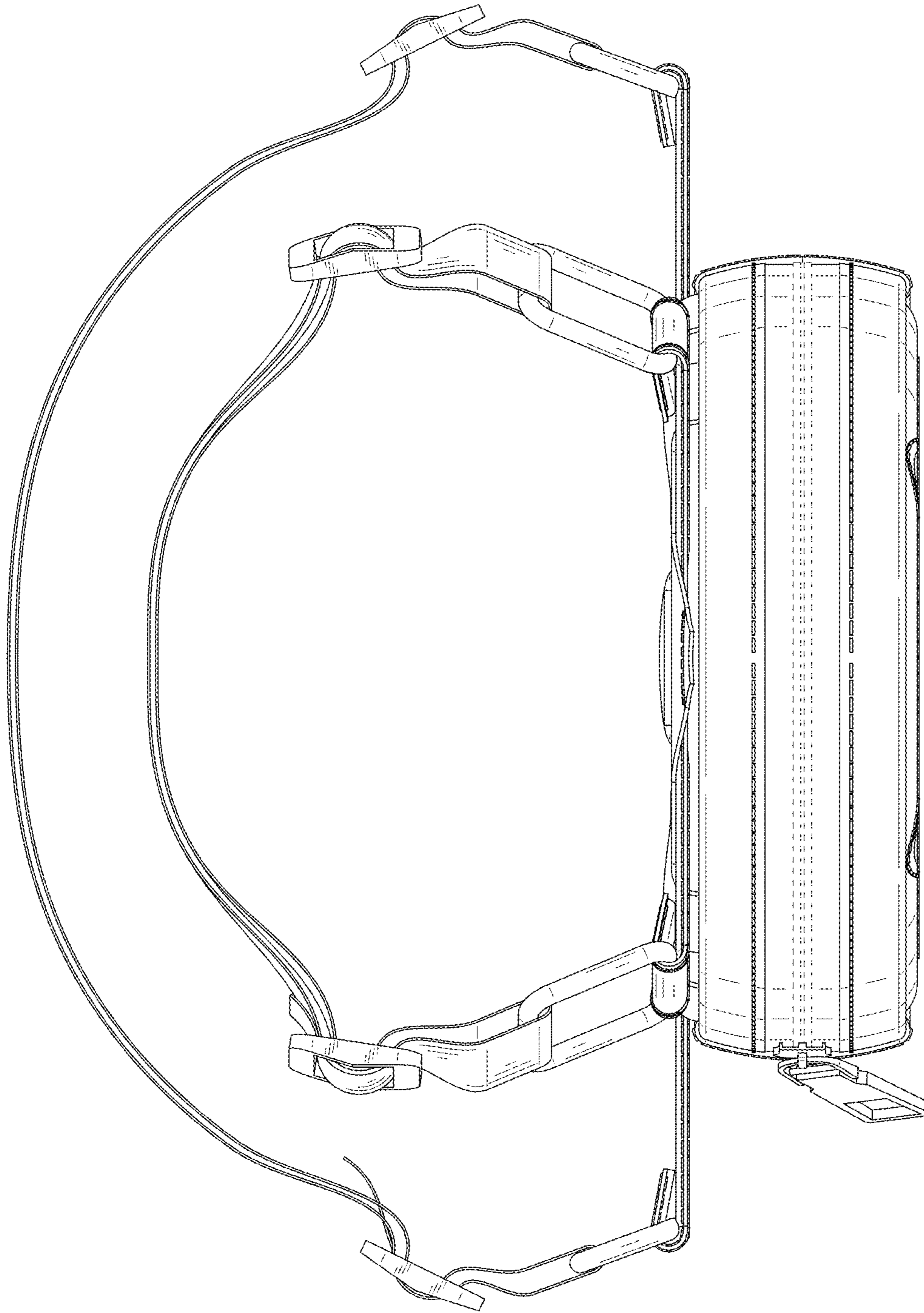


FIG. 7

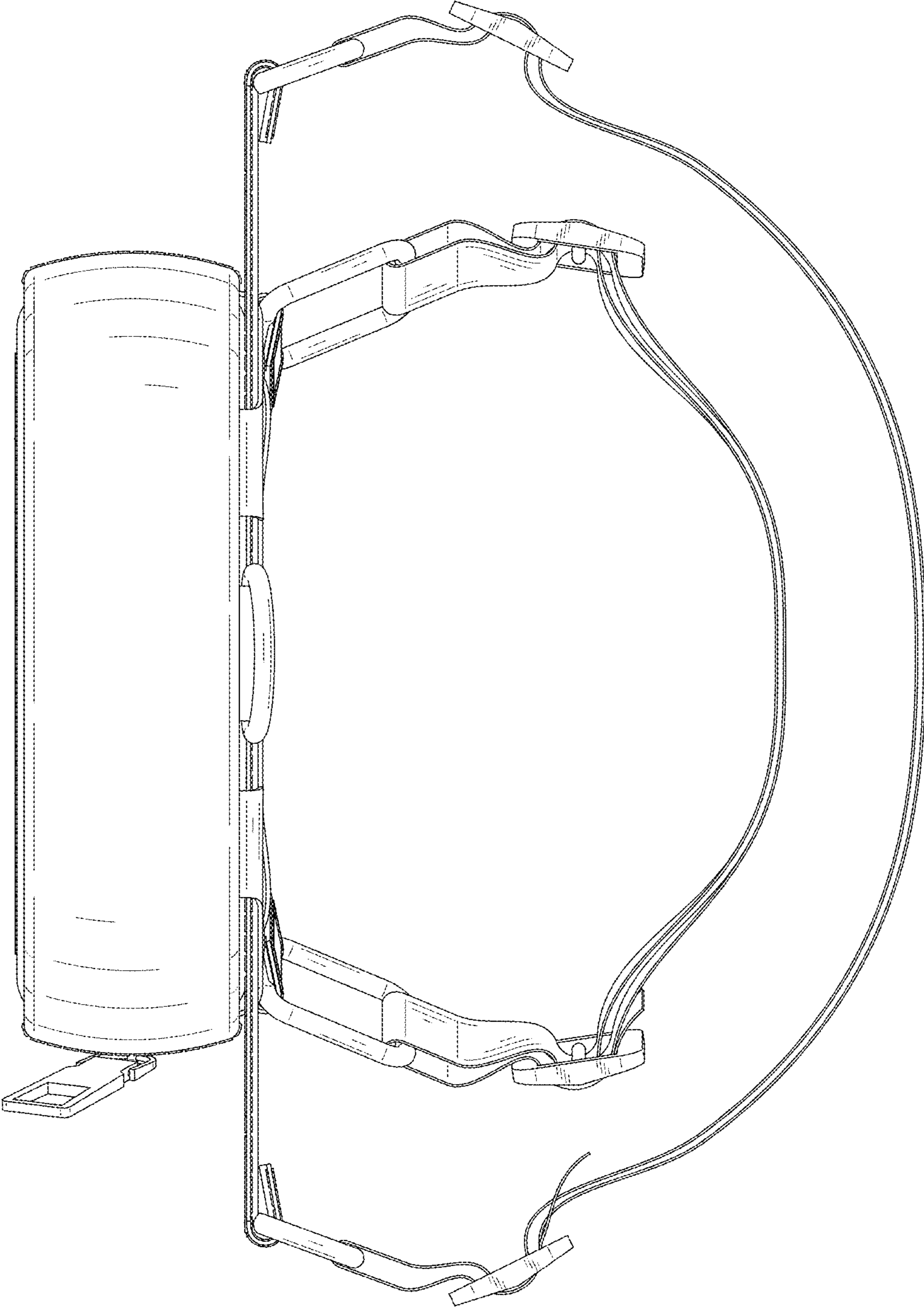


FIG. 8