



US00D972788S

(12) **United States Design Patent** (10) **Patent No.:** **US D972,788 S**  
**Milsom et al.** (45) **Date of Patent:** **\*\* Dec. 13, 2022**

(54) **PET WATER FOUNTAIN**  
(71) Applicant: **Radio Systems Corporation,**  
Knoxville, TN (US)  
(72) Inventors: **Darren Milsom,** Knoxville, TN (US);  
**Sarah Beene,** Sterling, VA (US)  
(73) Assignee: **Radio Systems Corporation,**  
Knoxville, TN (US)  
(\*\*) Term: **15 Years**  
(21) Appl. No.: **29/780,959**  
(22) Filed: **Apr. 27, 2021**  
(51) **LOC (13) Cl.** ..... **30-03**  
(52) **U.S. Cl.**  
USPC ..... **D30/132**  
(58) **Field of Classification Search**  
USPC ..... D23/203, 207, 209, 213, 222, 225,  
D23/255-256, 272-273; D30/121-133  
CPC .. A01K 5/0114; A01K 5/0121; A01K 5/0135;  
A01K 7/005; A01K 7/00; A01K 39/02;  
F04B 23/00; F04B 23/02; Y10T  
137/86035; Y10T 137/8376  
See application file for complete search history.

D927,798 S \* 8/2021 Tao ..... D30/132  
D936,913 S \* 11/2021 Huang ..... D30/132  
D937,501 S \* 11/2021 Chen ..... D30/132  
D940,406 S \* 1/2022 Jin ..... D30/132  
D945,715 S \* 3/2022 Wang ..... D30/132  
D948,136 S \* 4/2022 Xu ..... D30/132  
D950,862 S \* 5/2022 Wang ..... D30/132  
D956,366 S \* 6/2022 Liu ..... D30/132

**OTHER PUBLICATIONS**

Petsafe fountain found Nov. 11, 2014 found on Oct. 1, 2021 at  
<https://www.amazon.com/PetSafe-Drinkwell-Pagoda-Ceramic-Fountain/dp/B00XUZGPDS/> (Year: 2014).\*

\* cited by examiner

*Primary Examiner* — Karen S Acker  
*Assistant Examiner* — Jonathan E Fiencke  
(74) *Attorney, Agent, or Firm* — Baker, Donelson,  
Bearman, Caldwell & Berkowitz. PC

(57) **CLAIM**

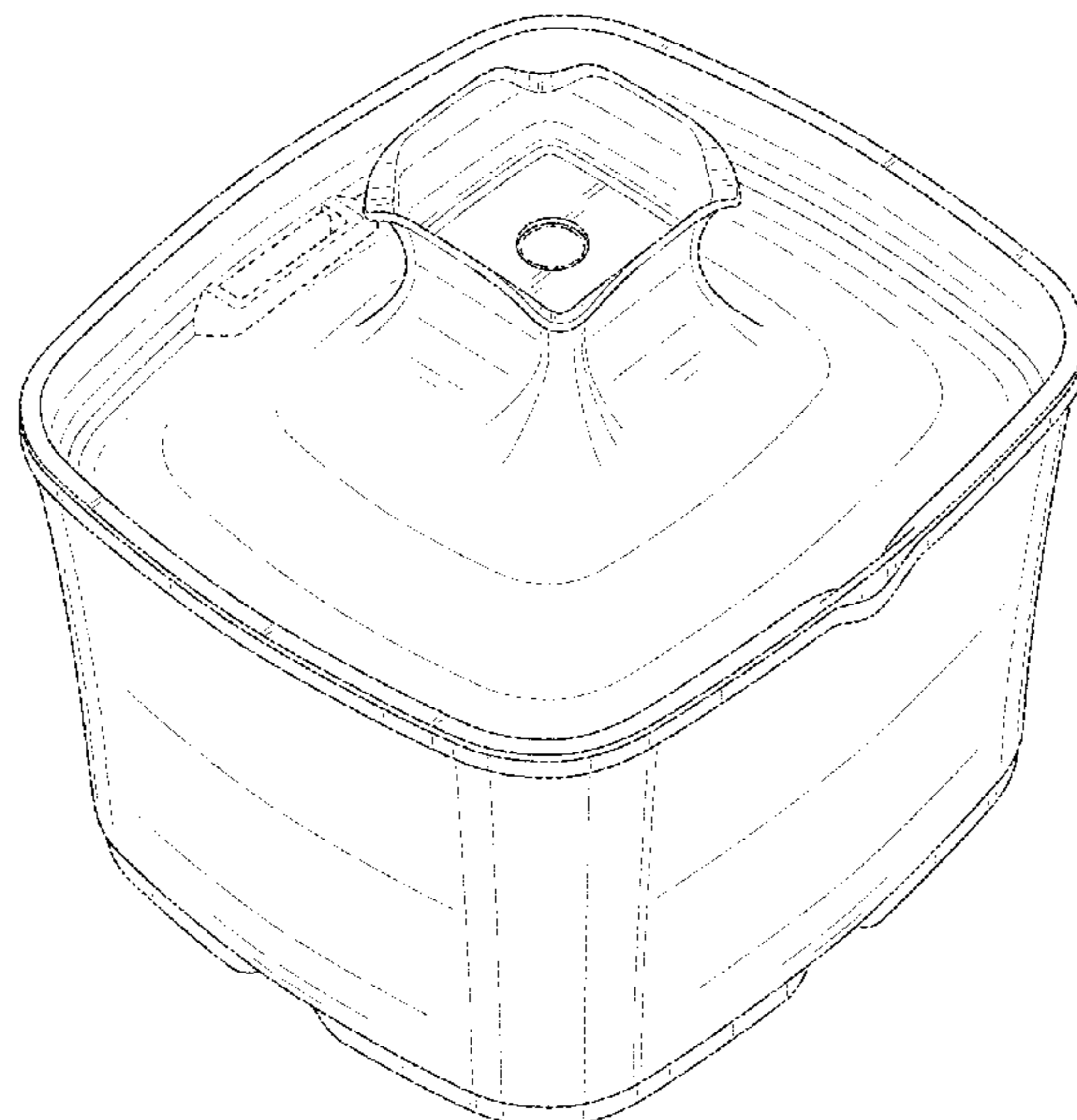
The ornamental design for a pet water fountain, as shown  
and described.

**DESCRIPTION**

FIG. 1 is a perspective view of a pet water fountain.  
FIG. 2 is a front view thereof.  
FIG. 3 is a rear view thereof.  
FIG. 4 is a left view thereof.  
FIG. 5 is a right view thereof.  
FIG. 6 is a top view thereof; and,  
FIG. 7 is a bottom view thereof.  
The evenly spaced broken lines depict portions of the pet  
water fountain that form no part of the claimed design. In  
FIGS. 1 and 6 the dot dash dot broken lines denote the  
boundaries of the claimed areas and form no part of the  
claimed design.

**1 Claim, 7 Drawing Sheets**

(56) **References Cited**  
U.S. PATENT DOCUMENTS  
D681,888 S \* 5/2013 Fang ..... D30/132  
D738,579 S \* 9/2015 Owens ..... D30/132  
D820,533 S \* 6/2018 Huang ..... D30/132  
D849,336 S \* 5/2019 Huang ..... D30/132  
D849,337 S \* 5/2019 Huang ..... D30/132  
D850,731 S \* 6/2019 Wu ..... D30/132  
D893,810 S \* 8/2020 Wu ..... D30/132  
D894,500 S \* 8/2020 Cui ..... D30/132  
D912,333 S \* 3/2021 Wang ..... D30/132  
D912,910 S \* 3/2021 Xue ..... D30/132  
D914,300 S \* 3/2021 Wu ..... D30/132  
D917,660 S \* 4/2021 Lu ..... D23/201



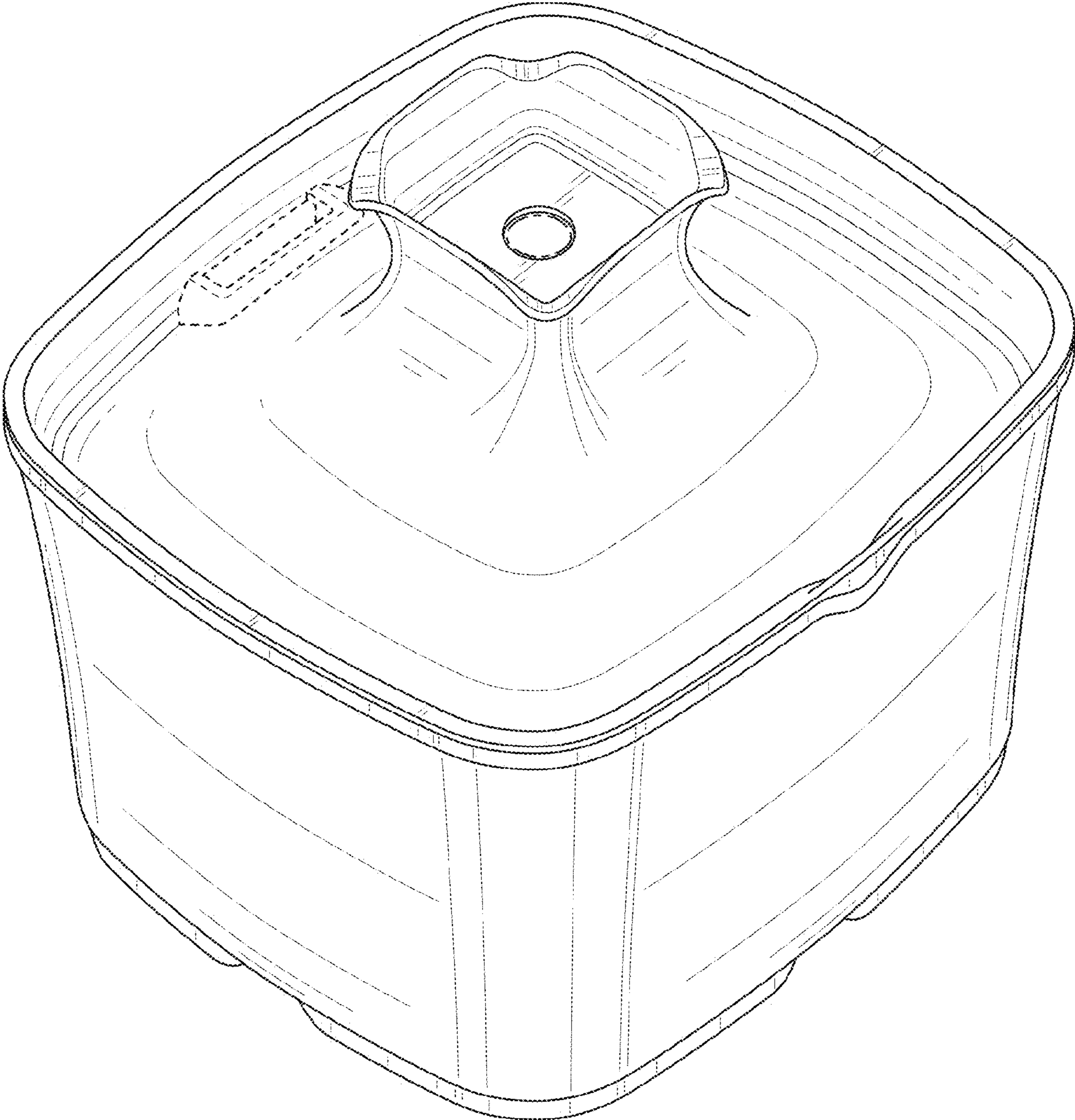


FIG. 1

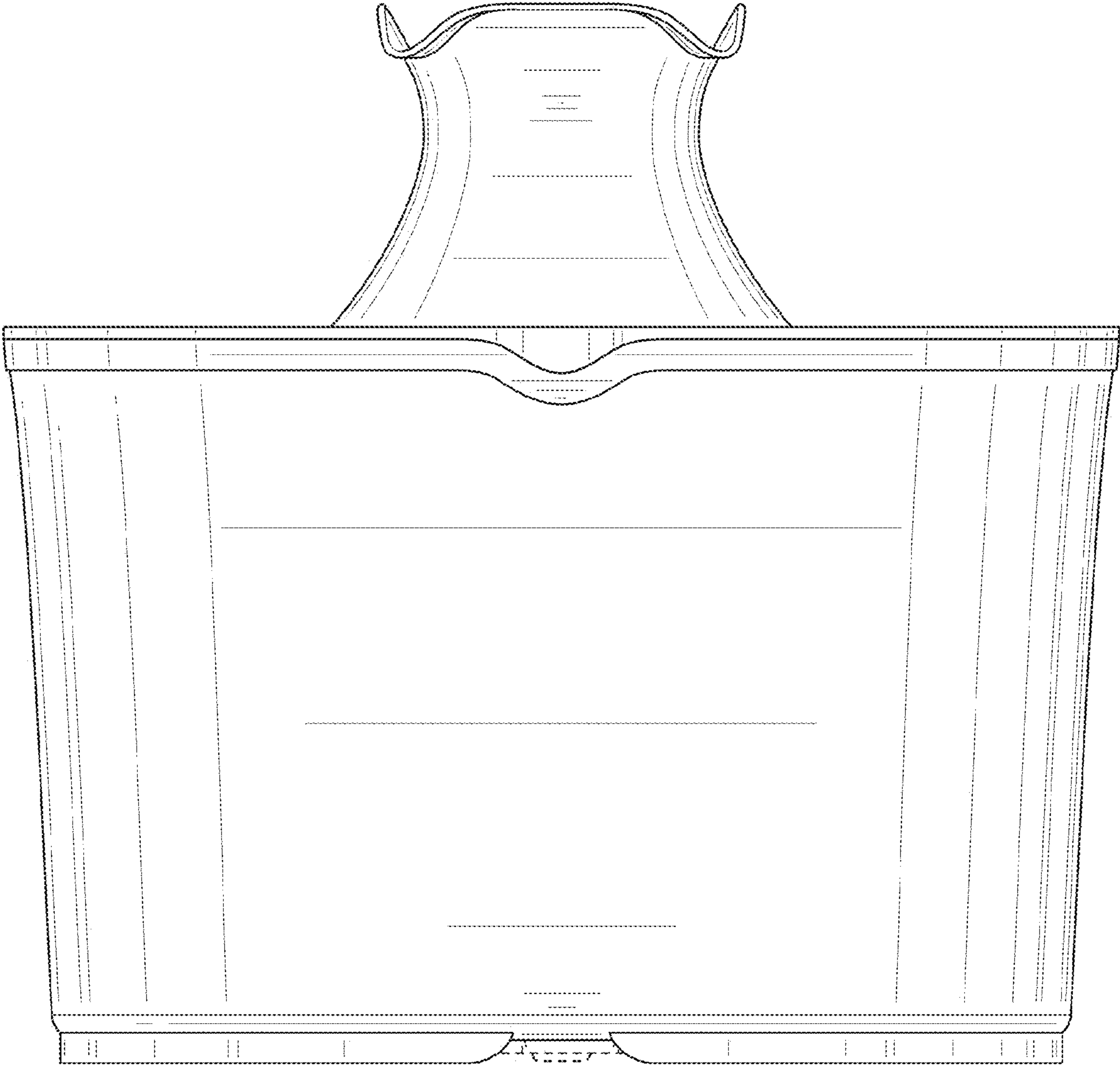


FIG. 2

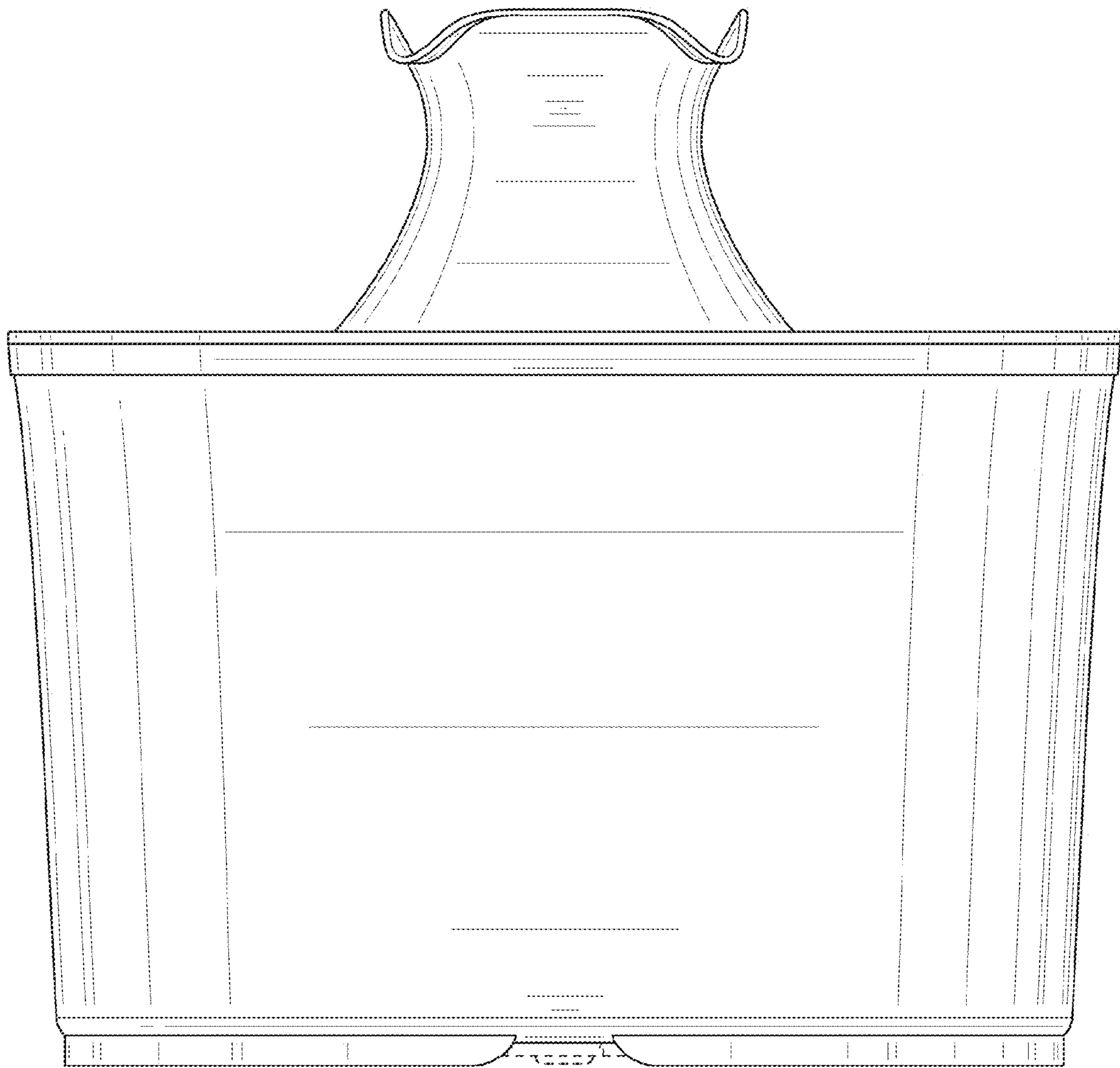


FIG. 3

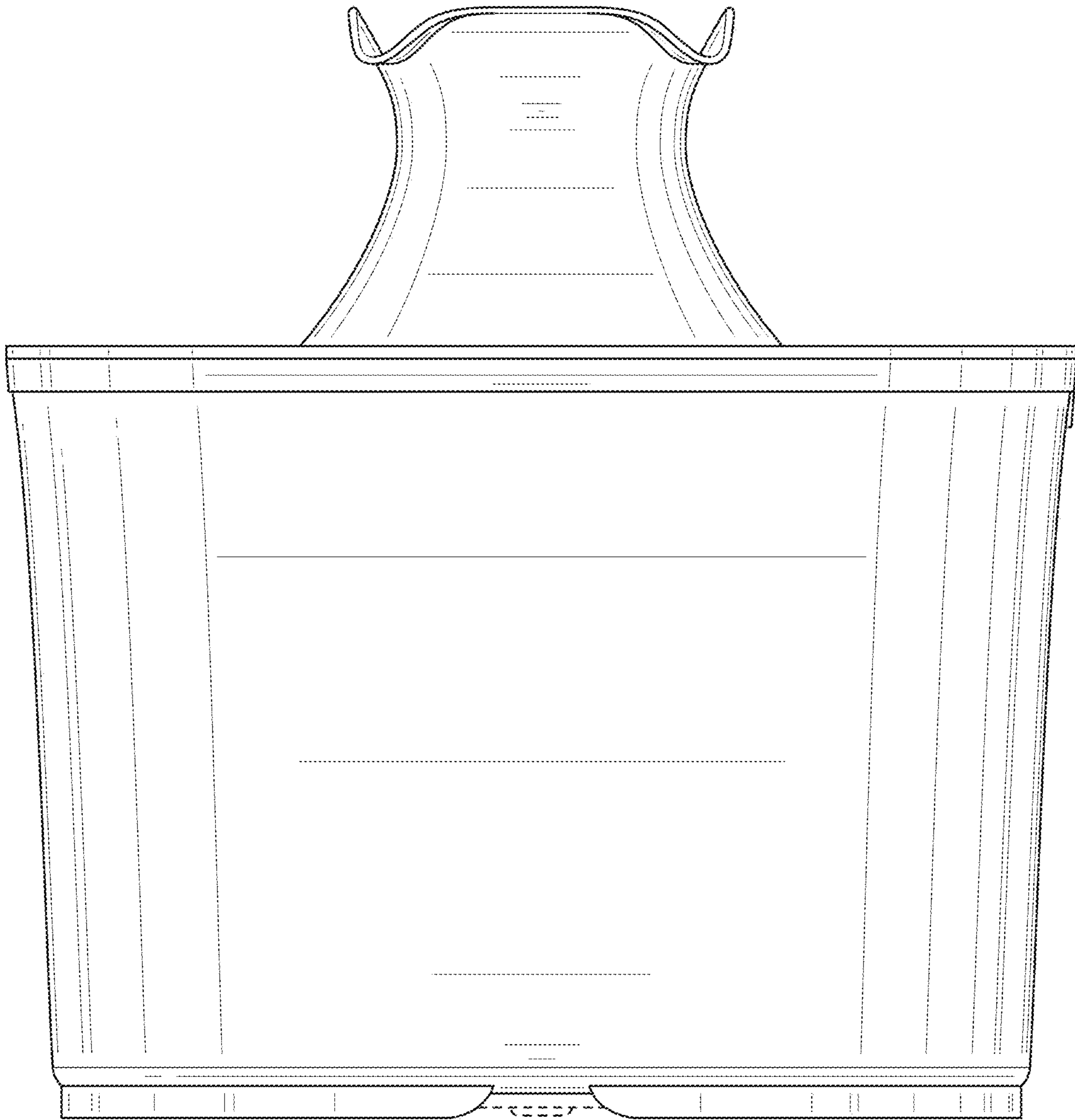


FIG. 4

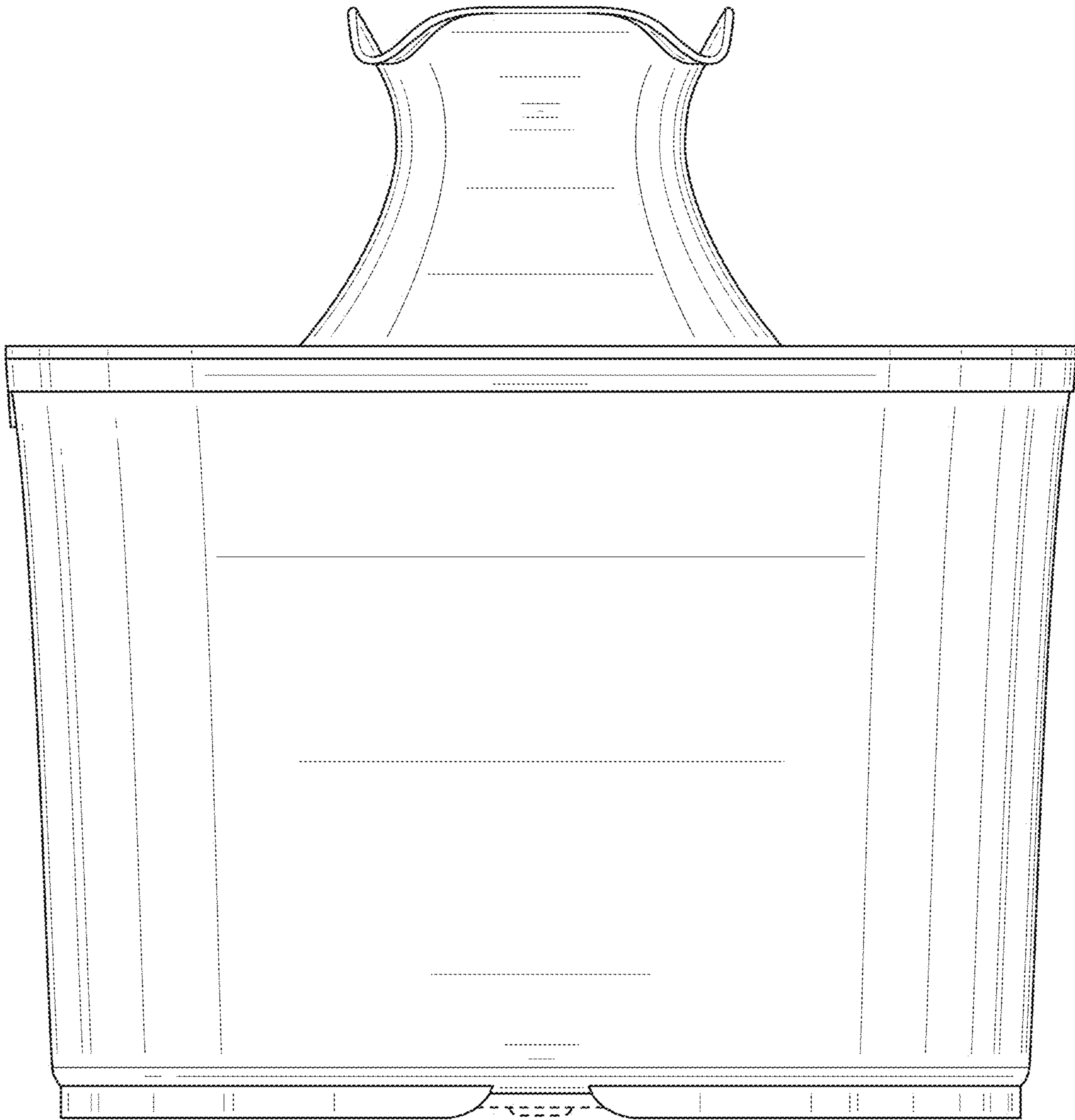


FIG. 5

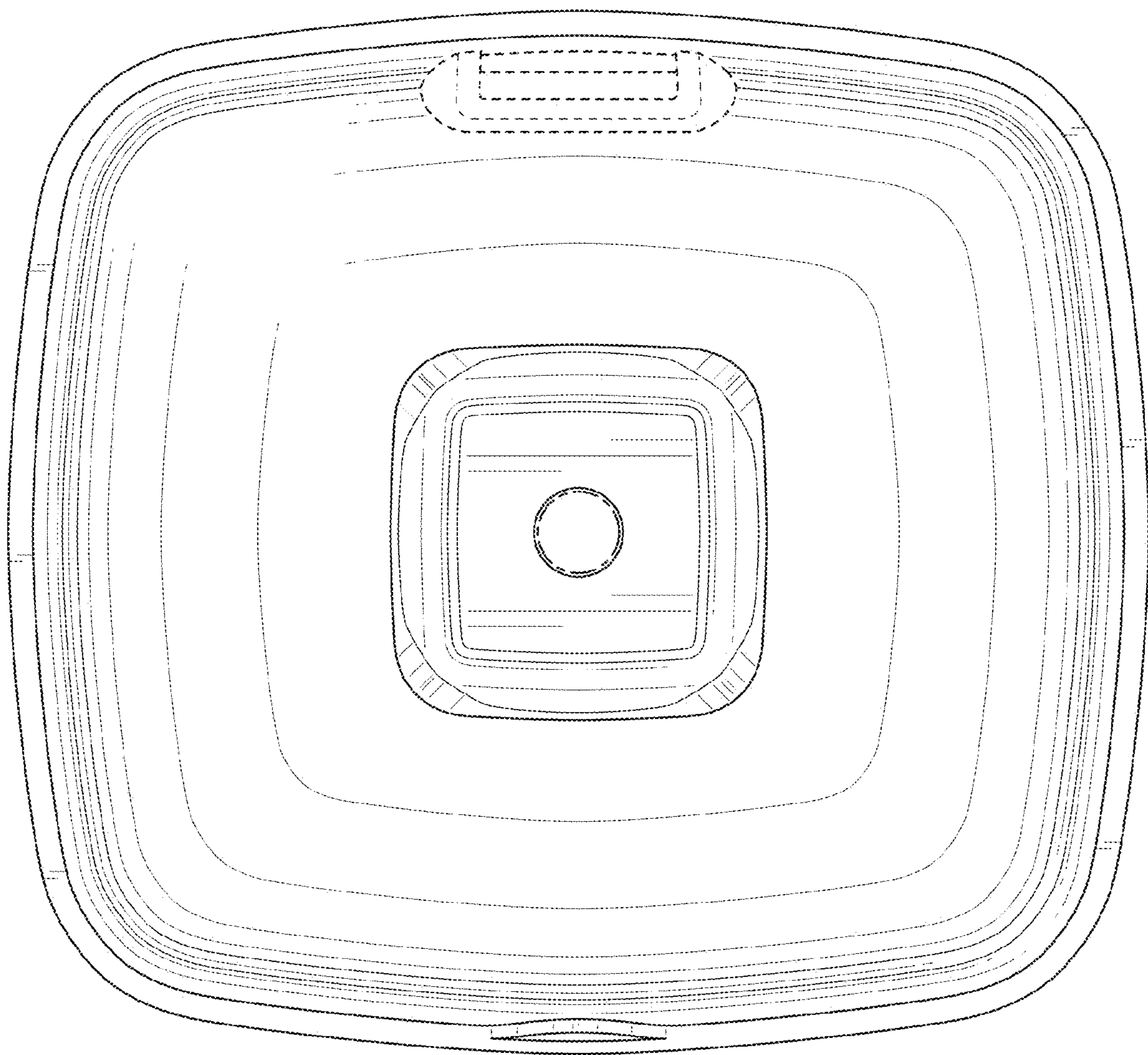


FIG. 6

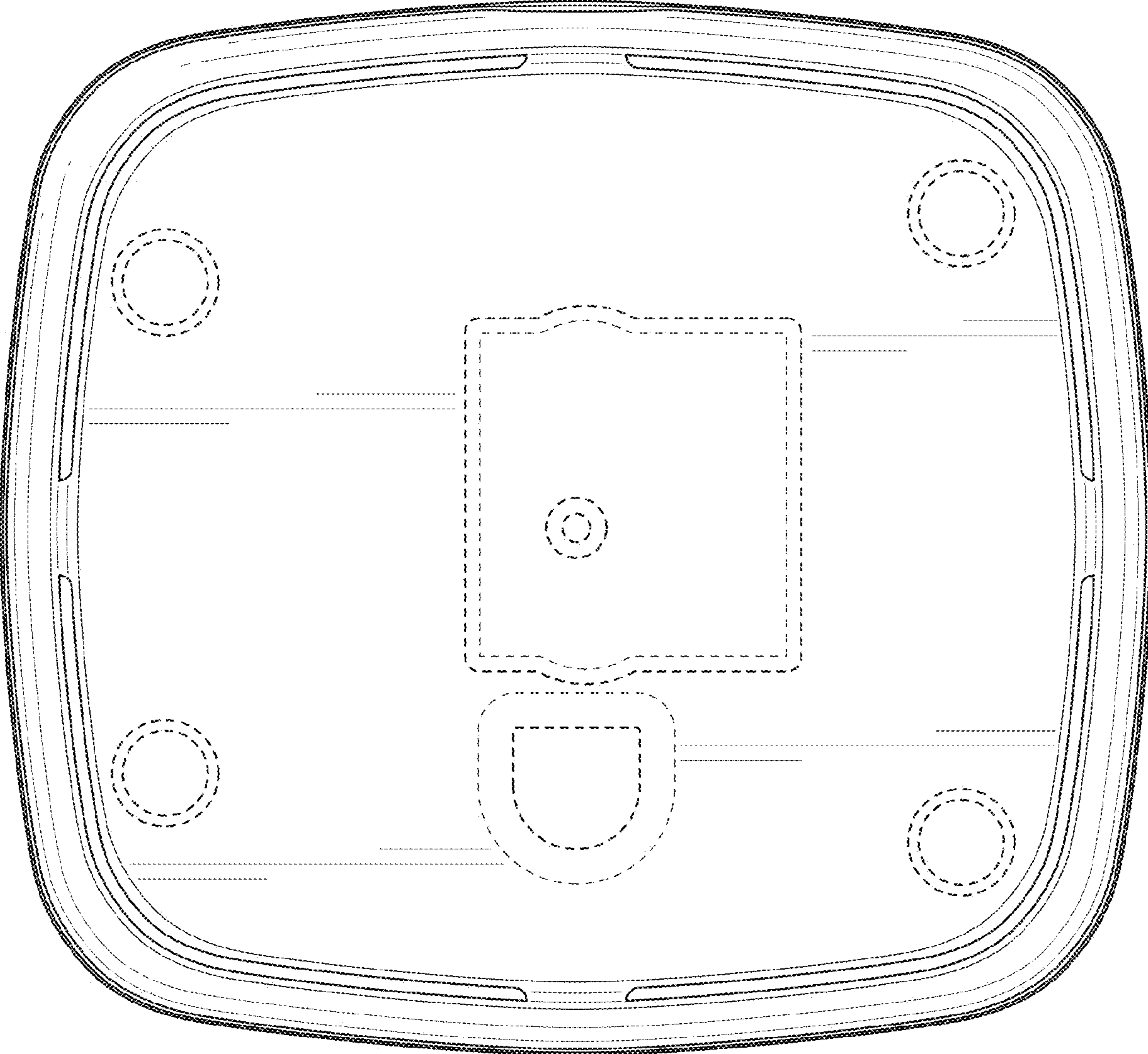


FIG. 7