



US00D972787S

(12) **United States Design Patent**  
**Jeon**

(10) **Patent No.:** **US D972,787 S**

(45) **Date of Patent:** **\*\* Dec. 13, 2022**

(54) **DRINKING WATER SUPPLY FOR PETS**

(71) Applicant: **Cuckoo Electronics Co., Ltd.**,  
Yangsan-si (KR)

(72) Inventor: **Sung Eun Jeon**, Siheung-si (KR)

(73) Assignee: **CUCKOO ELECTRONICS CO., LTD.**, Yangsan-si (KR)

(\*\*) Term: **15 Years**

(21) Appl. No.: **29/750,967**

(22) Filed: **Sep. 17, 2020**

(30) **Foreign Application Priority Data**

Apr. 7, 2020 (KR) ..... 30-2020-0015486

(51) **LOC (13) Cl.** ..... **30-03**

(52) **U.S. Cl.**  
USPC ..... **D30/132**

(58) **Field of Classification Search**  
USPC ..... D8/1-2; D9/738, 763-764; D23/202,  
D23/207, 211.1, 211.2; D30/121-133  
CPC .. A01K 5/0114; A01K 5/0121; A01K 5/0135;  
A01K 7/005; A01K 7/00; A01K 39/02;  
F04B 23/00; F04B 23/02; Y10T  
137/86035; Y10T 137/8376  
See application file for complete search history.

(56) **References Cited**

**U.S. PATENT DOCUMENTS**

D467,687 S \* 12/2002 Tangolics ..... D30/129  
D472,021 S \* 3/2003 Northrop ..... D30/129  
D623,359 S \* 9/2010 Kim ..... D30/129  
7,789,041 B1 \* 9/2010 Taylor ..... A01K 5/0114  
119/61.5  
D651,685 S \* 1/2012 Honzelka ..... D23/207  
D702,404 S \* 4/2014 Leung ..... D30/129

D704,390 S \* 5/2014 Tan ..... A01K 5/0114  
D30/132  
D704,903 S \* 5/2014 Fang ..... D30/132  
D738,579 S \* 9/2015 Owens ..... A01K 7/00  
D30/132  
D752,775 S \* 3/2016 Stacey ..... D25/133  
D803,488 S \* 11/2017 Nifong ..... D30/124  
D910,933 S \* 2/2021 Tang ..... D30/132  
D941,533 S \* 1/2022 Mai ..... D30/132  
D942,091 S \* 1/2022 Jin ..... D30/132  
D945,085 S \* 3/2022 Tao ..... D30/132  
D948,136 S \* 4/2022 Xu ..... D30/132  
D950,862 S \* 5/2022 Wang ..... D30/132  
D953,656 S \* 5/2022 Wang ..... D30/132  
D956,366 S \* 6/2022 Liu ..... D30/132  
D958,468 S \* 7/2022 Pan ..... D30/132  
D961,171 S \* 8/2022 Guan ..... D30/132  
D965,233 S \* 9/2022 Gong ..... D30/132  
D965,921 S \* 10/2022 Gong ..... D30/132

(Continued)

*Primary Examiner* — Karen S Acker

*Assistant Examiner* — Jonathan E Fiencke

(74) *Attorney, Agent, or Firm* — STIP Law Group, LLC

(57) **CLAIM**

The ornamental design for a drinking water supply for pets, as shown and described.

**DESCRIPTION**

FIG. 1 is a perspective view of the drinking water supply for pets, showing the present design.

FIG. 2 is a front view thereof.

FIG. 3 is a rear view thereof.

FIG. 4 is a left side view thereof.

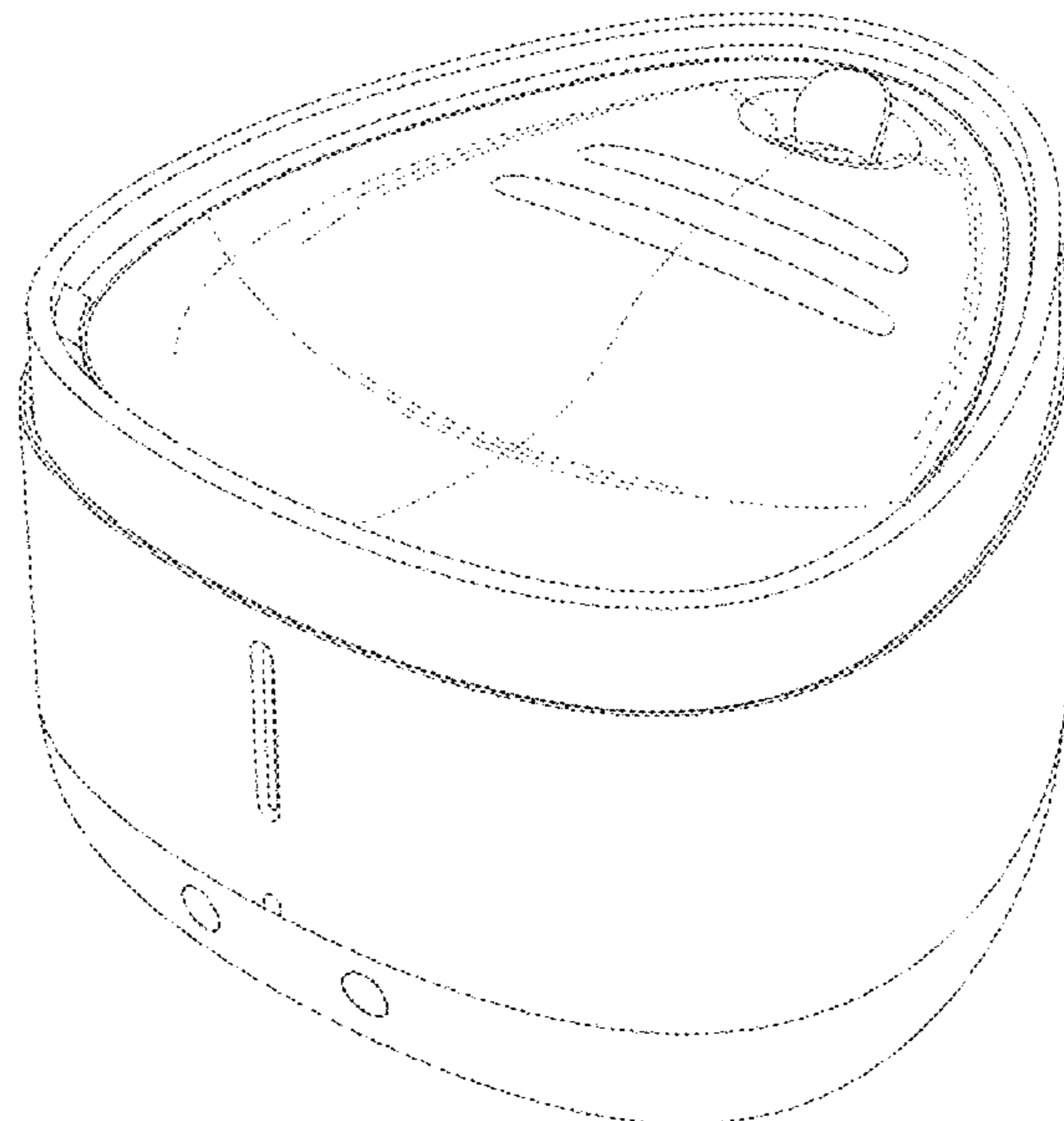
FIG. 5 is a right side view thereof.

FIG. 6 is a top view of thereof; and,

FIG. 7 is a bottom view of thereof.

The broken lines and areas within depict portions of the drinking water supply for pets that form no part of the claimed design.

**1 Claim, 7 Drawing Sheets**



(56)

**References Cited**

U.S. PATENT DOCUMENTS

2005/0039690 A1\* 2/2005 Sage ..... A01K 7/00  
119/61.5

\* cited by examiner

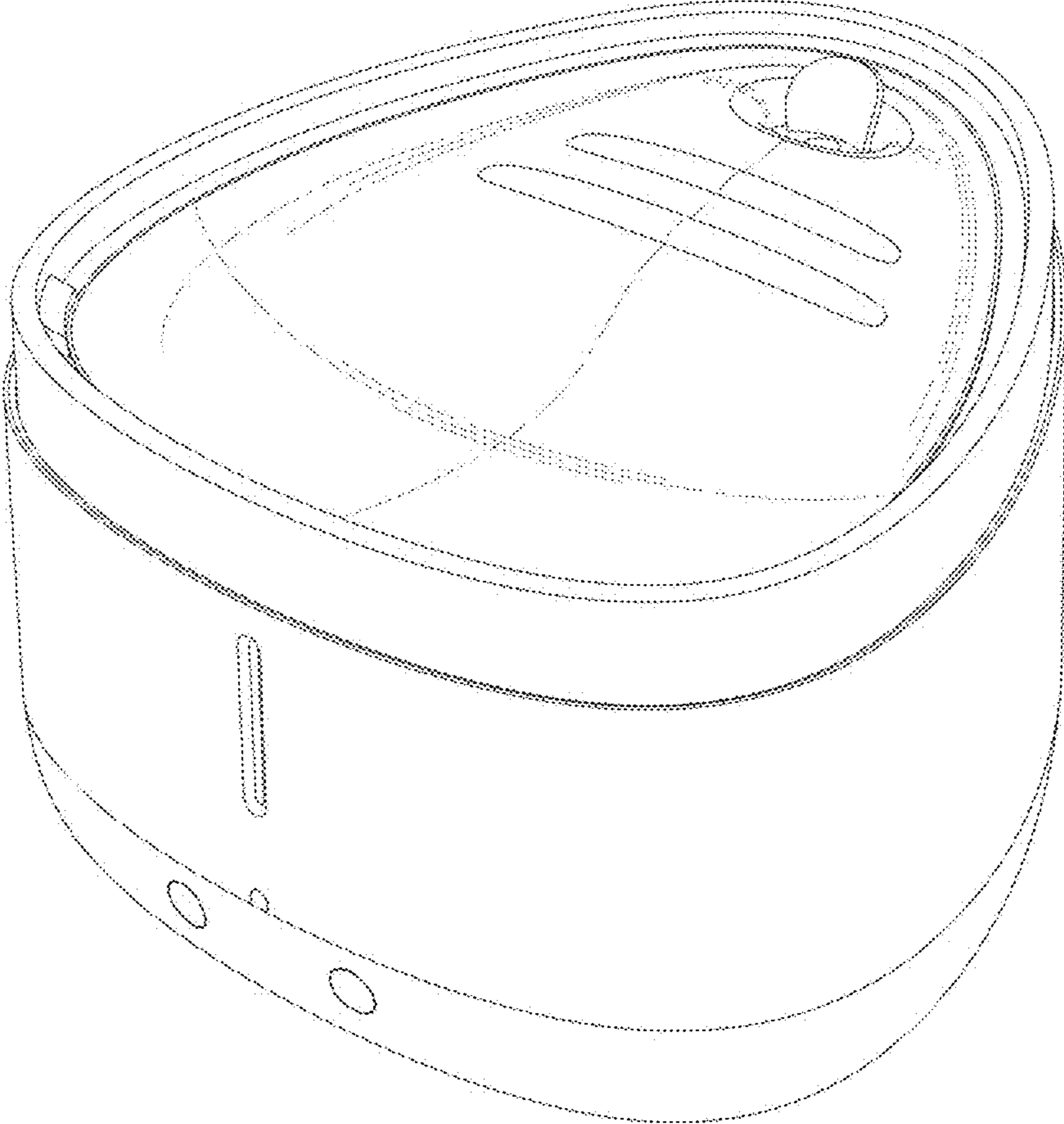


FIG. 1

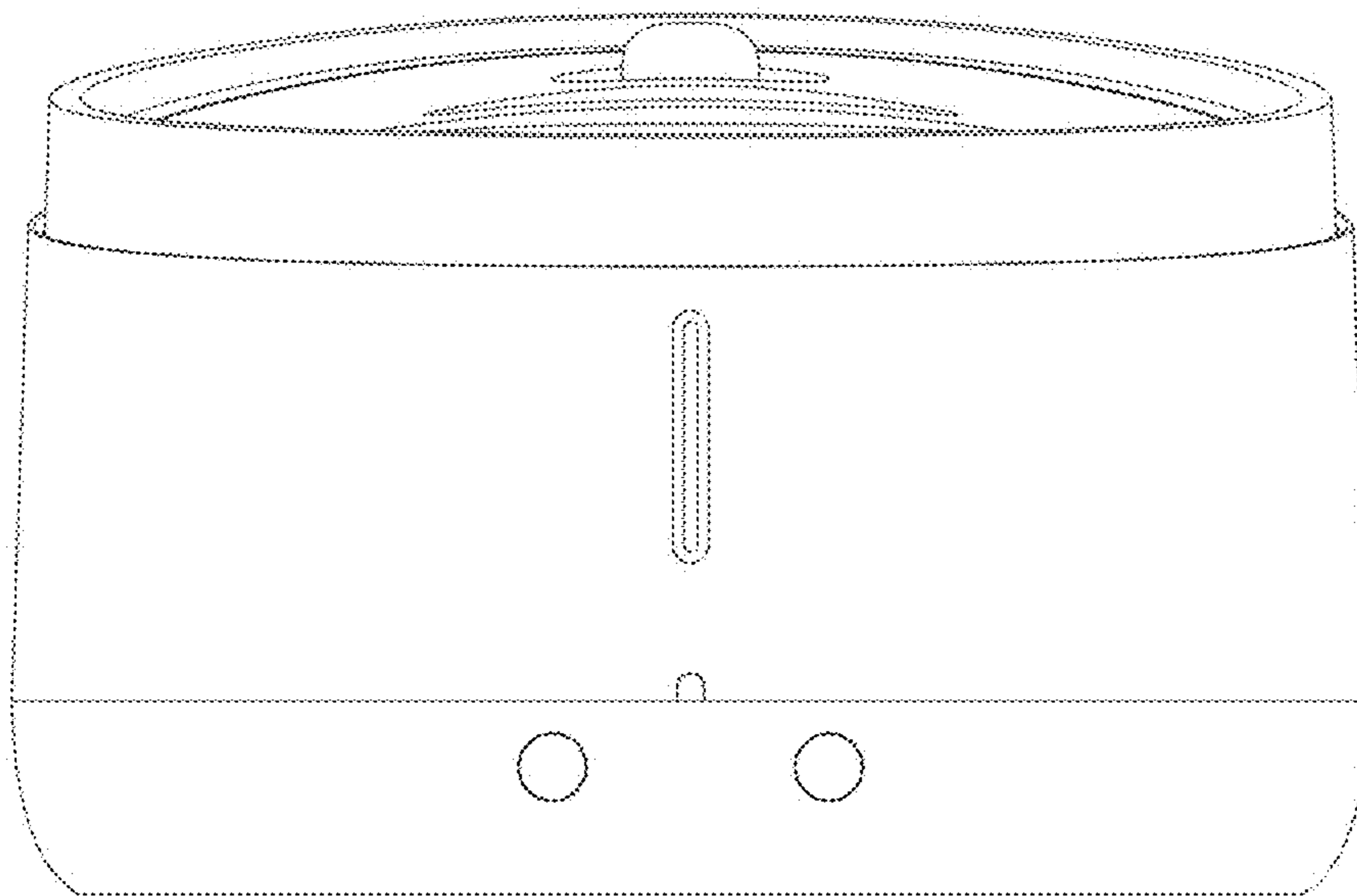


FIG. 2

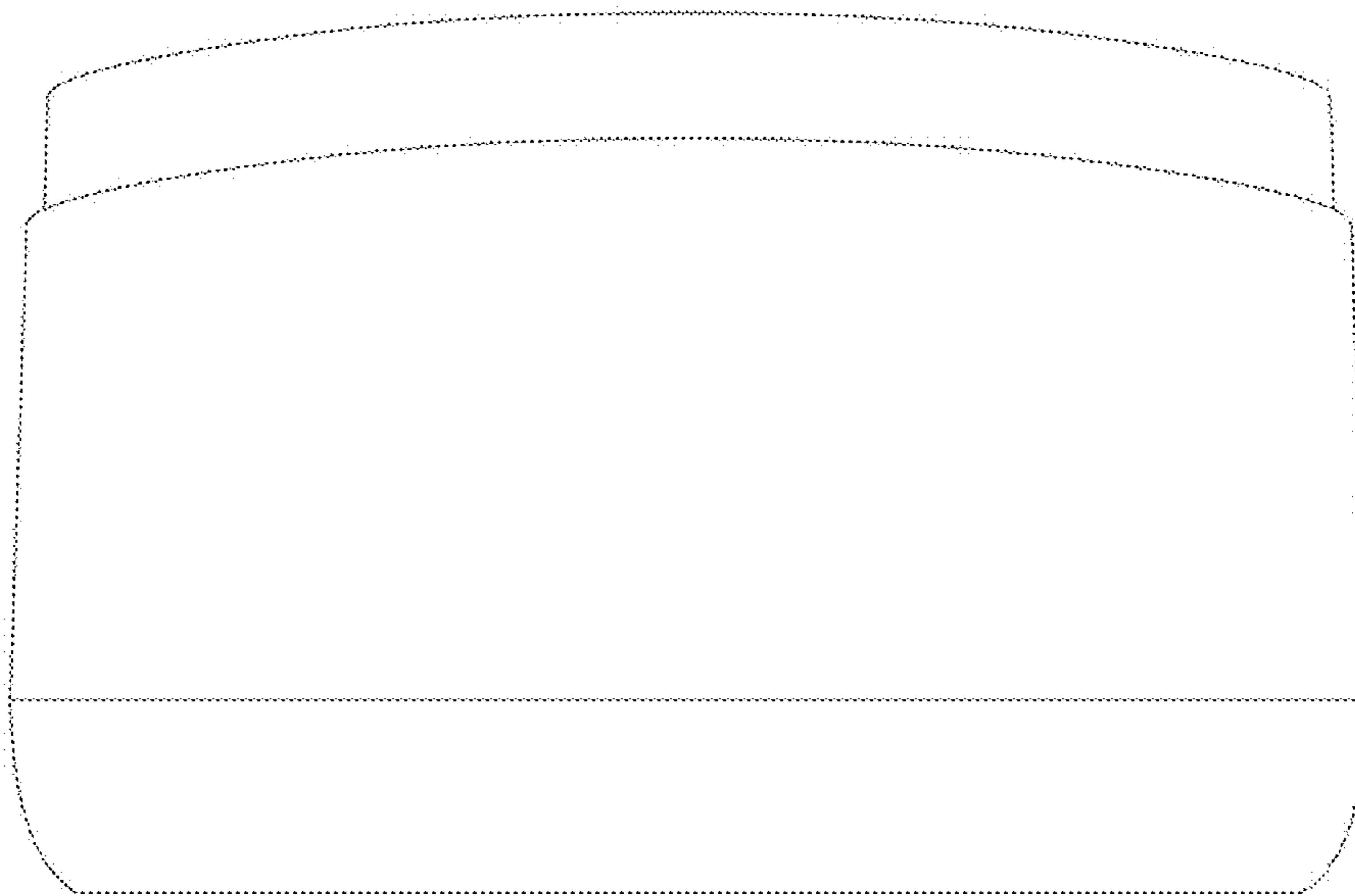


FIG. 3

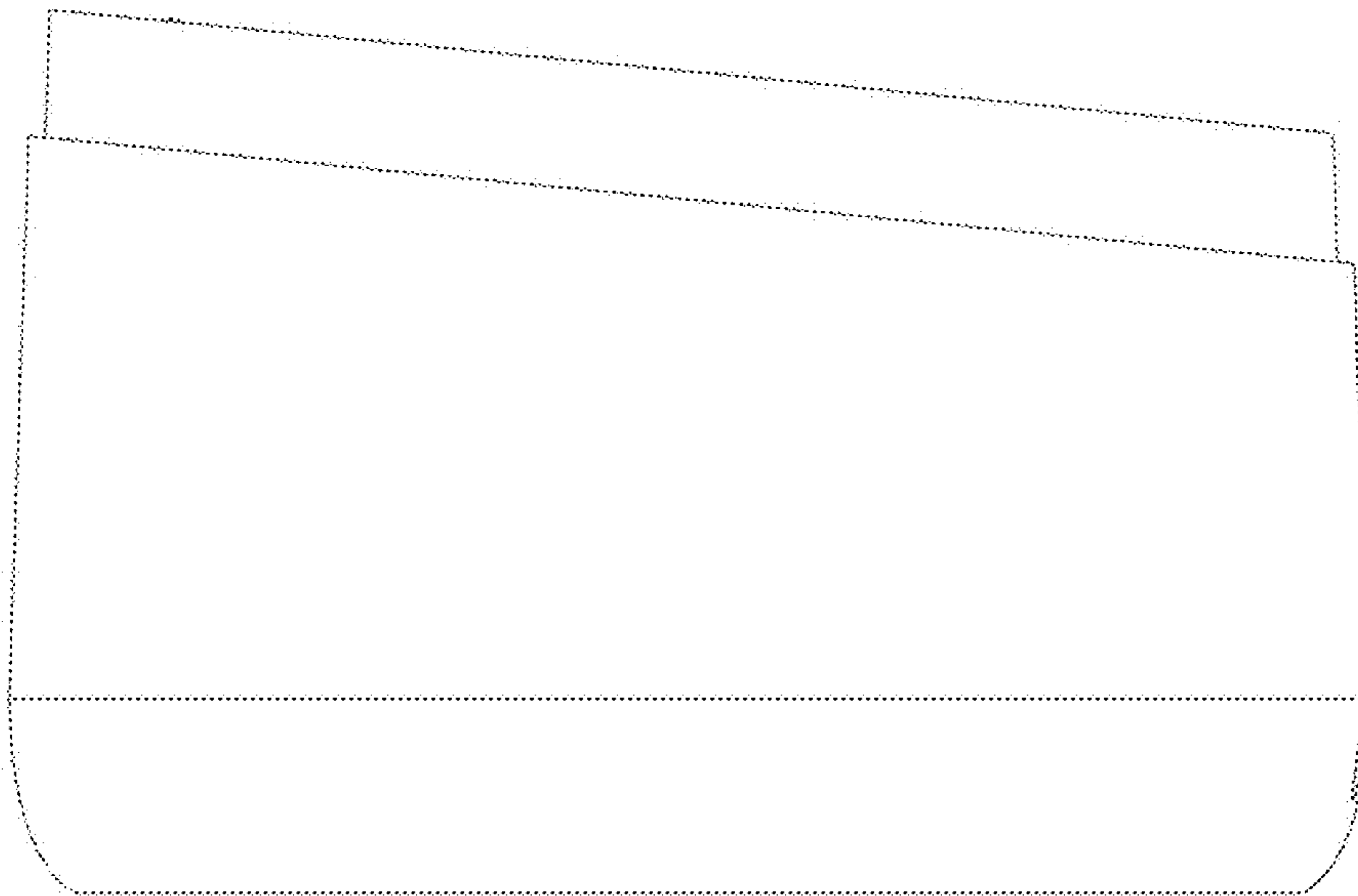


FIG. 4



FIG. 5



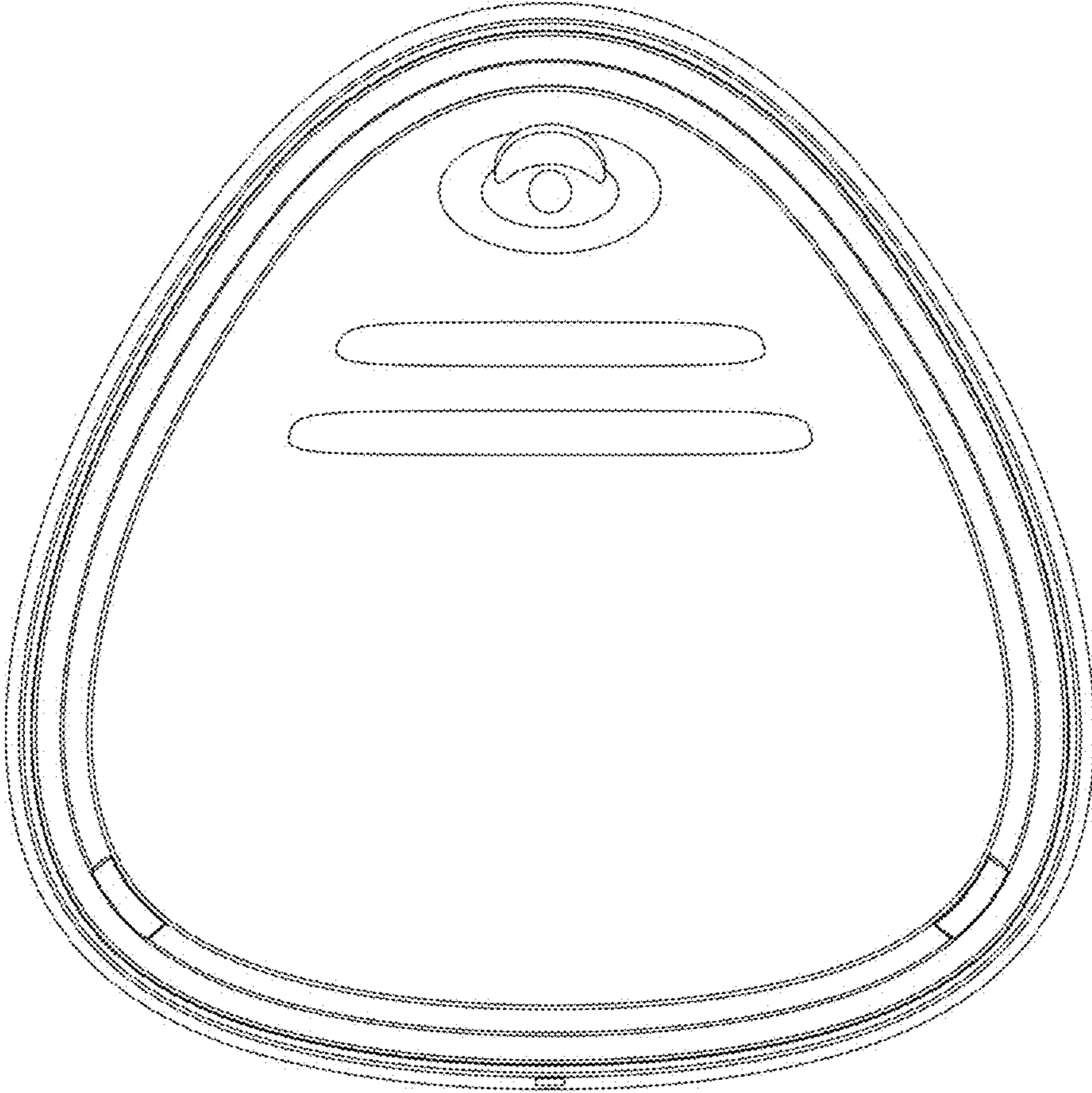


FIG. 6



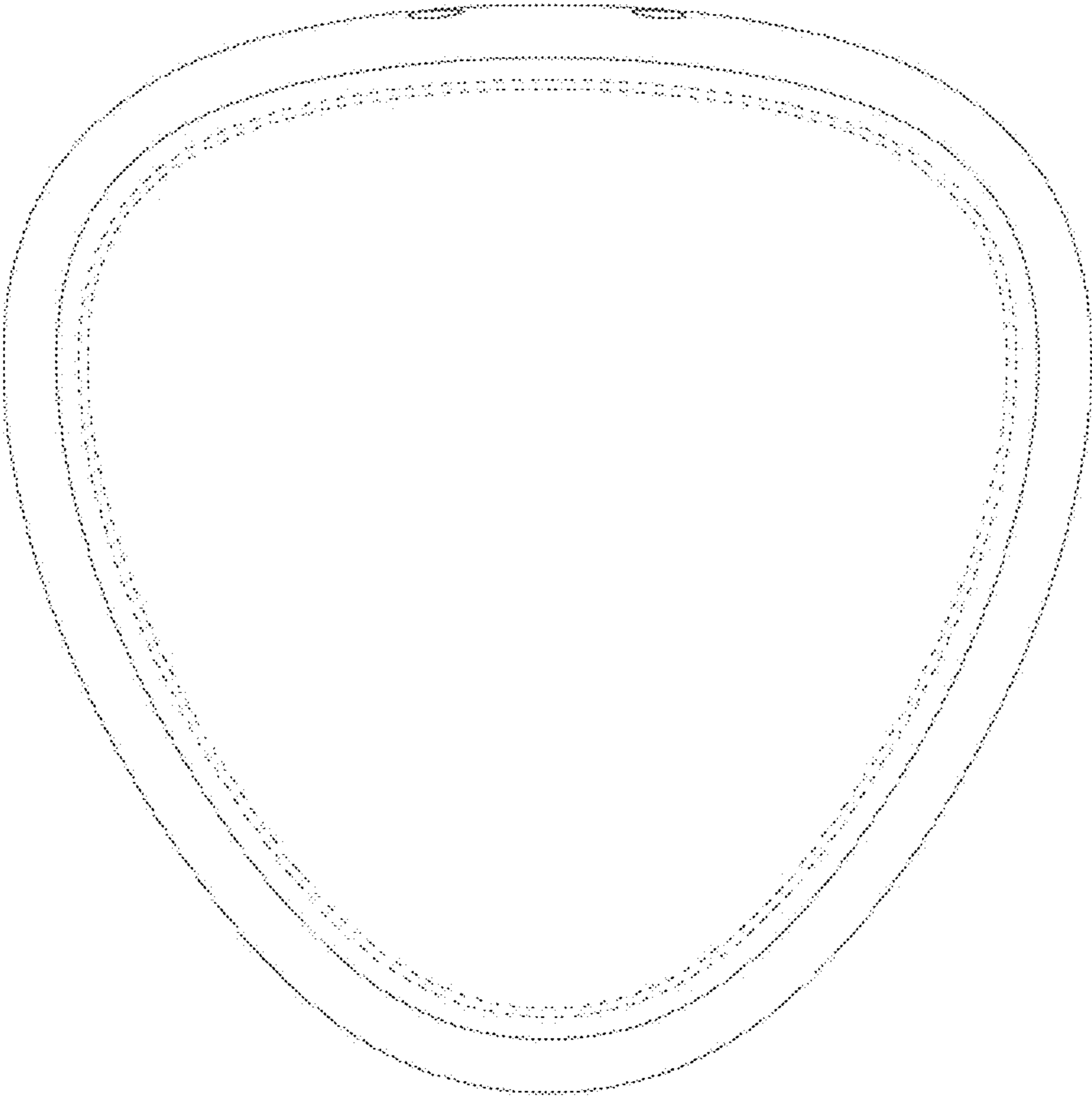


FIG. 7