



US00D972785S

(12) **United States Design Patent** (10) **Patent No.:** **US D972,785 S**
Hall (45) **Date of Patent:** **** Dec. 13, 2022**

(54) **SPIRAL PET BED**

(71) Applicant: **Diane Gaynell Hall**, Olympia, WA
(US)

(72) Inventor: **Diane Gaynell Hall**, Olympia, WA
(US)

(**) Term: **15 Years**

(21) Appl. No.: **29/749,867**

(22) Filed: **Sep. 9, 2020**

(51) **LOC (13) Cl.** **30-06**

(52) **U.S. Cl.**
USPC **D30/118**

(58) **Field of Classification Search**
USPC D6/692, 677; D9/428, 552;
D30/108-109, 112-120, 161, 162
CPC A01K 1/01; A01K 1/0107; A01K 1/011;
A01K 1/0114; A01K 1/0117; A01K
1/0121; A01K 1/0125; A01K 1/0128;
A01K 1/0132; A01K 1/0135; A01K
1/0139; A01K 1/0142; A01K 1/0236;
A01K 1/0272; A01K 1/029; A01K 1/033;
A01K 1/034; A01K 1/035; A01K 1/0035
See application file for complete search history.

(56) **References Cited**

U.S. PATENT DOCUMENTS

D216,400 S * 12/1969 Schwertley D30/118
D309,199 S * 7/1990 McMahon D30/118
D324,331 S * 3/1992 Schmidt D9/516
D359,601 S * 6/1995 Busch D30/118
D386,831 S * 11/1997 Krizek D30/118
D398,721 S * 9/1998 Krizek D30/118
D434,881 S * 12/2000 Yang D30/118
D435,355 S * 12/2000 Peterson D6/381
D479,634 S * 9/2003 Tuthill D30/160
D503,500 S * 3/2005 Gaspari D30/118

D517,408 S * 3/2006 Gonzalez D9/438
D552,854 S * 10/2007 Tseng D30/118
D557,514 S * 12/2007 Lohle D6/369
D561,401 S * 2/2008 Martin D30/118
D598,284 S * 8/2009 Floyd D9/454

(Continued)

FOREIGN PATENT DOCUMENTS

CN 301428405 * 12/2010
CN 304883758 * 11/2018

(Continued)

OTHER PUBLICATIONS

Sixteen of the most stylish pet beds and minimalist dog beds,
Citation: Covo pet bed, Miacara, available in catesthill.com, announced
Apr. 23, 2020 [online], [site visited May 9, 2022], Internet URL:
<https://catesthill.com/2020/04/23/16-of-the-most-stylish-pet-beds/> (Year:
2020).*

(Continued)

Primary Examiner — Vy N Koenig
Assistant Examiner — Elizabeth Anne Glassberg

(57)

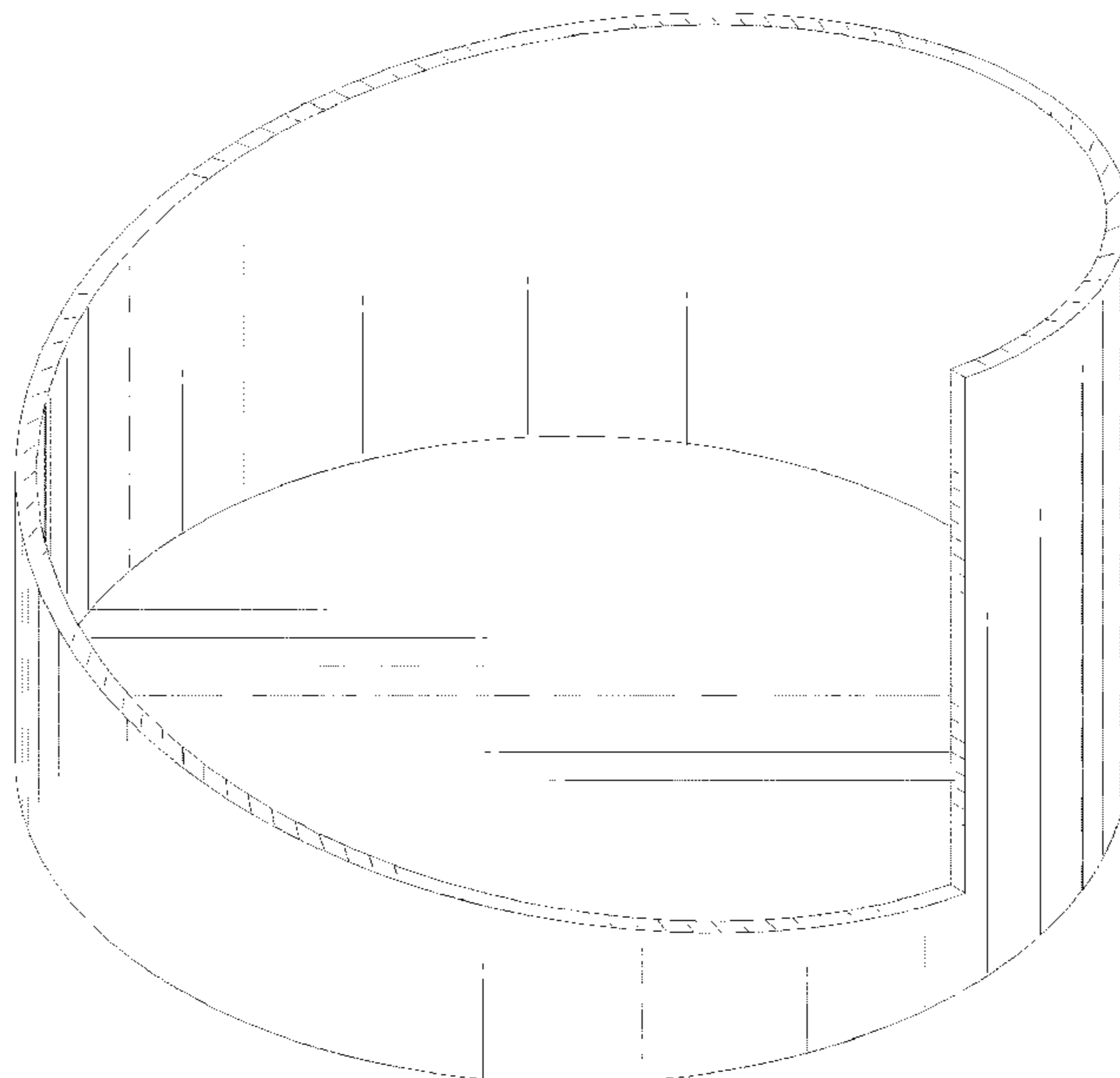
CLAIM

The ornamental design for a spiral pet bed, as shown and
described.

DESCRIPTION

FIG. 1 is a front-top-left perspective view of a pet bed
showing my new design;
FIG. 2 is a rear-top-right perspective view thereof;
FIG. 3 rear-bottom-right perspective view thereof;
FIG. 4 is a front elevational view thereof;
FIG. 5 is a rear elevational view thereof;
FIG. 6 is a top plan view thereof;
FIG. 7 is a bottom view thereof;
FIG. 8 is a left-side elevational view thereof; and,
FIG. 9 is a right-side elevational view of the spiral pet bed.

1 Claim, 9 Drawing Sheets



(56)

References Cited

U.S. PATENT DOCUMENTS

D604,462 S * 11/2009 Herrndorf D30/118
D617,056 S * 6/2010 Zine D6/601
D638,996 S * 5/2011 Zine D30/118
D653,406 S * 1/2012 Kahn D30/118
D687,714 S * 8/2013 De Wilde D9/542
D773,125 S * 11/2016 Itzhak-Sigron D30/118
D774,705 S * 12/2016 Iiams D30/118
D791,523 S * 7/2017 Bernard D6/692
D874,843 S * 2/2020 Bruggeman D6/369
D929,680 S * 8/2021 Baker D30/161
D961,175 S * 8/2022 Kuhne D3/304
2019/0297834 A1 * 10/2019 Baker A01K 1/0058
2022/0151195 A1 * 5/2022 Ki A01K 1/0107

FOREIGN PATENT DOCUMENTS

CN 306484640 * 4/2021
JP D1410194 * 3/2011

OTHER PUBLICATIONS

Amazon_pidan Woodencat Beds for Indoor Cats, available in Amazon.com, date first available Aug. 21, 2019 [online], [site visited May 9, 2022], Available from the internet URL: <https://www.amazon.com/Pidan-Woodencat-Clearance-Removable-Treatment/dp/B07GJCMRQF> (Year: 2019).*

Whom Home_Tree Hugger Pet Bed, available in website.com, customer review oldest date Jul. 8, 2020 [online], [site visited May 9, 2022], Internet URL: <https://whomhome.com/products/tree-hugger-pet-bed> (Year: 2020).*

* cited by examiner

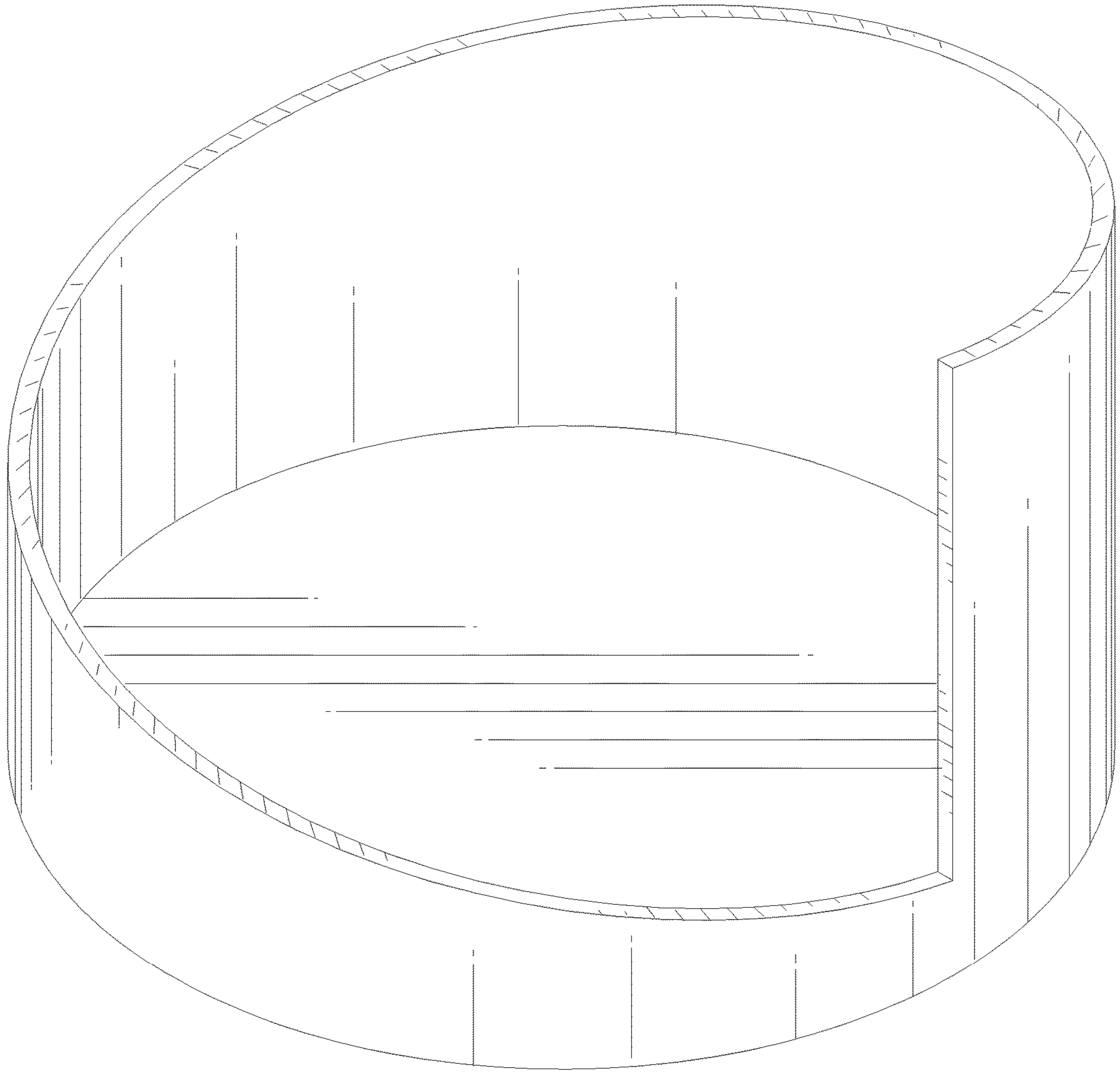


FIG. 1

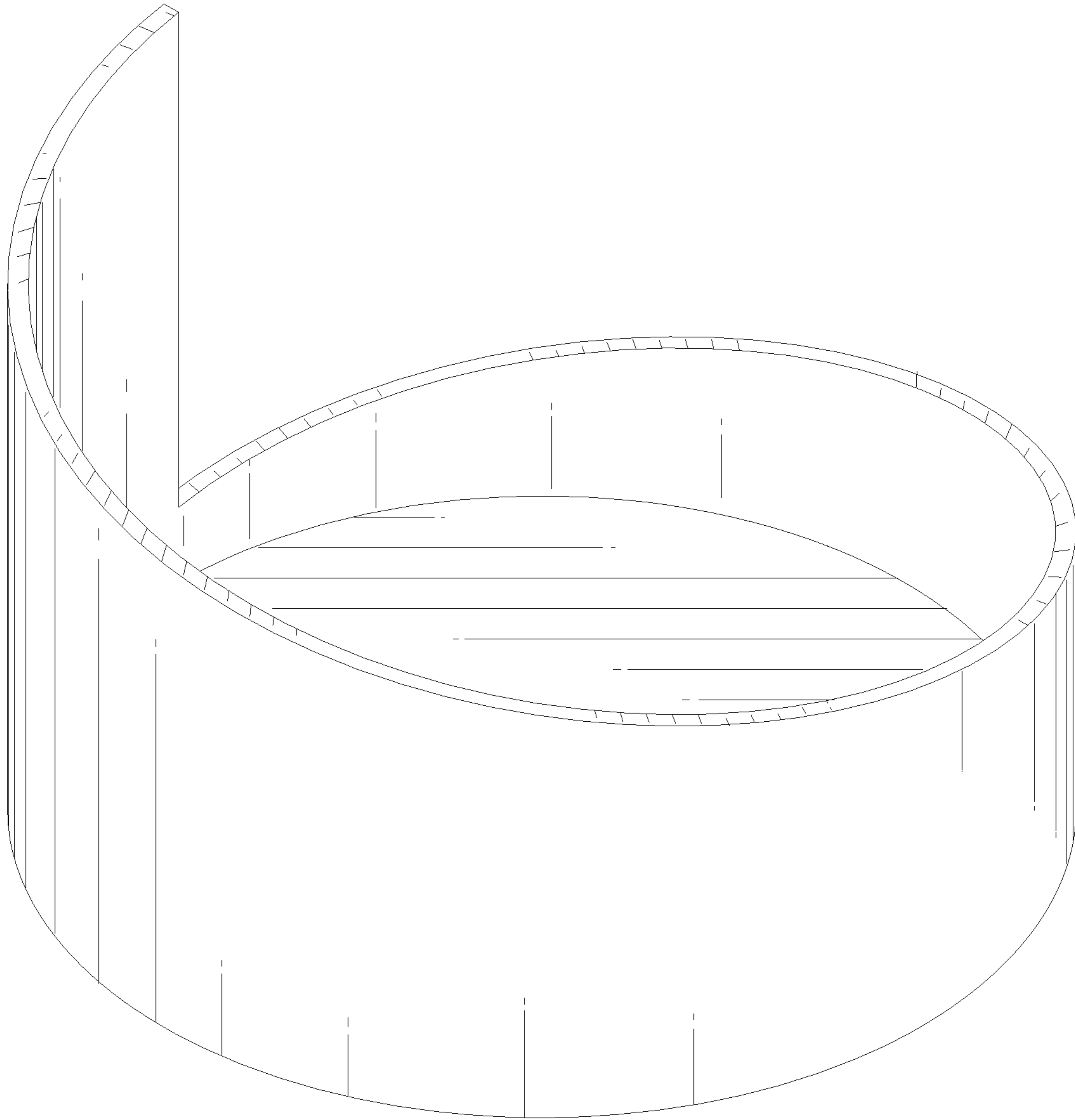


FIG. 2

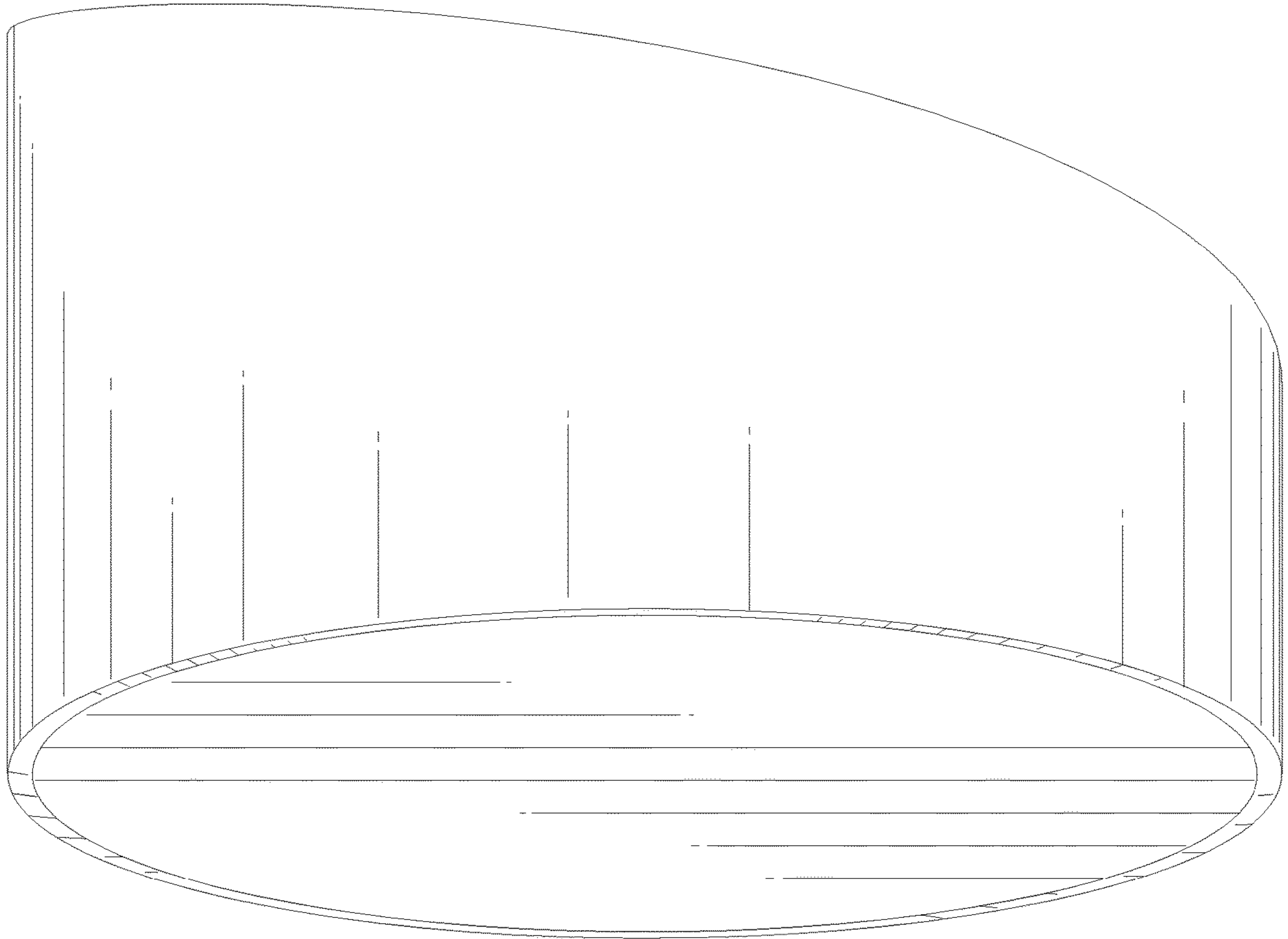


FIG. 3

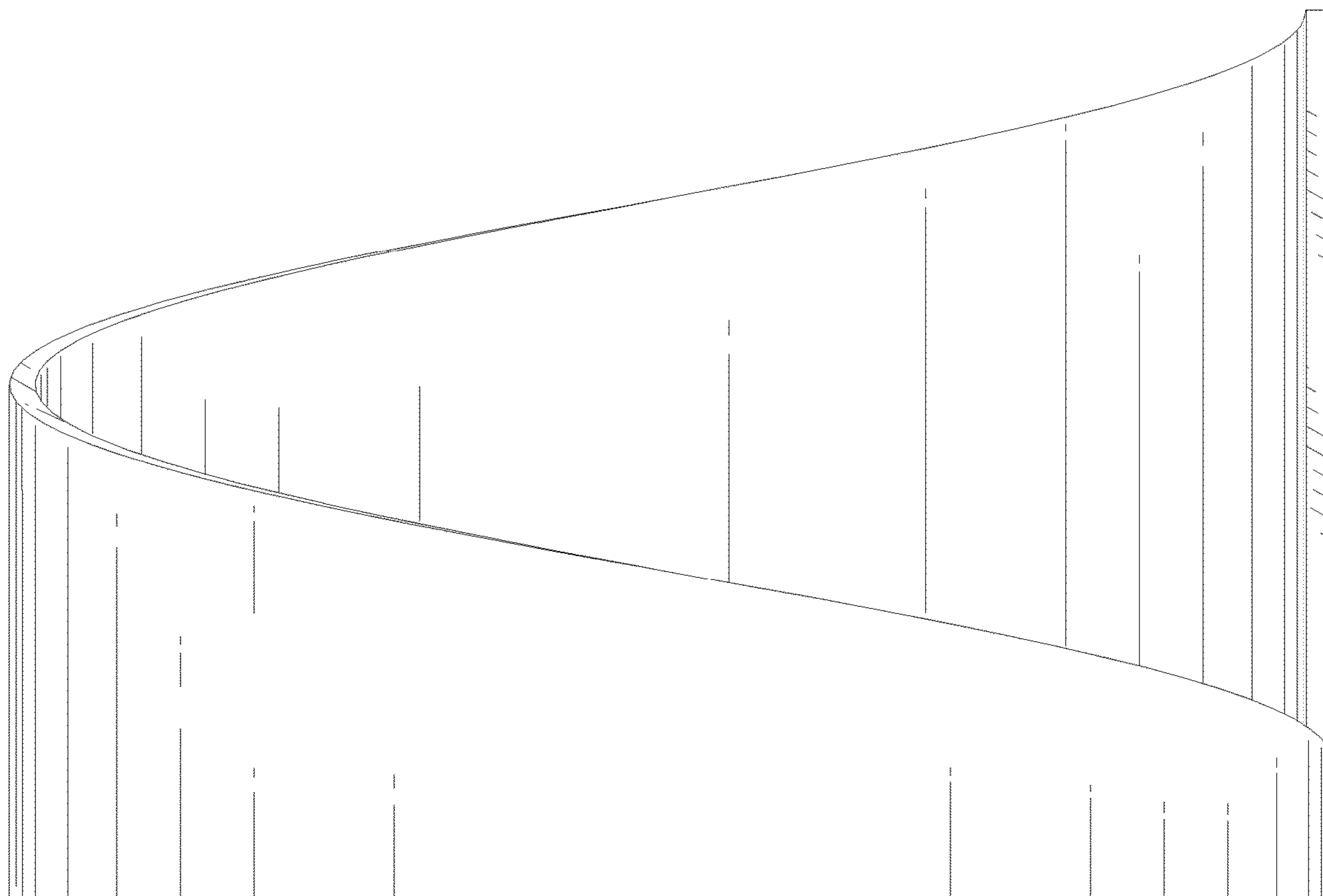


FIG. 4

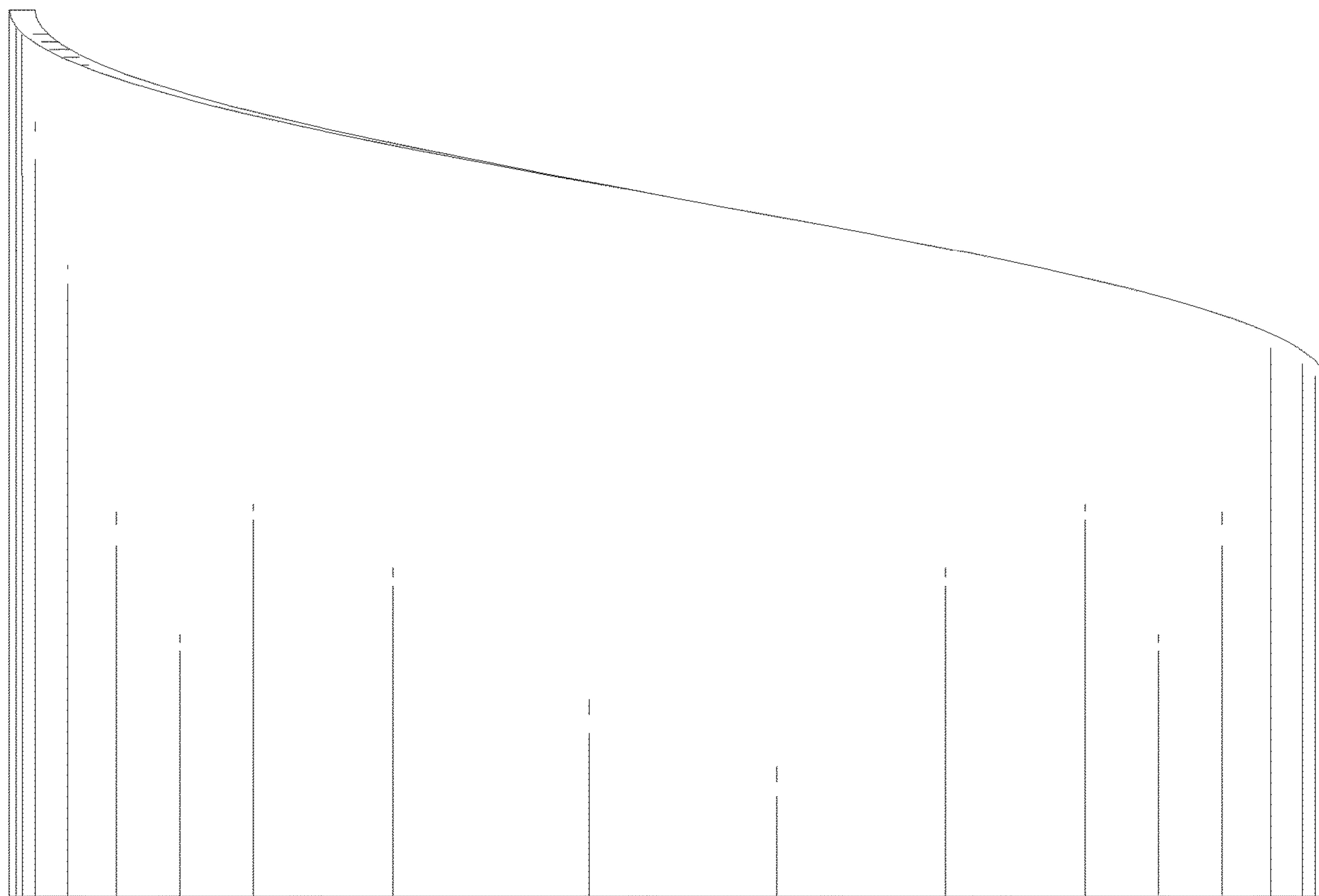


FIG. 5

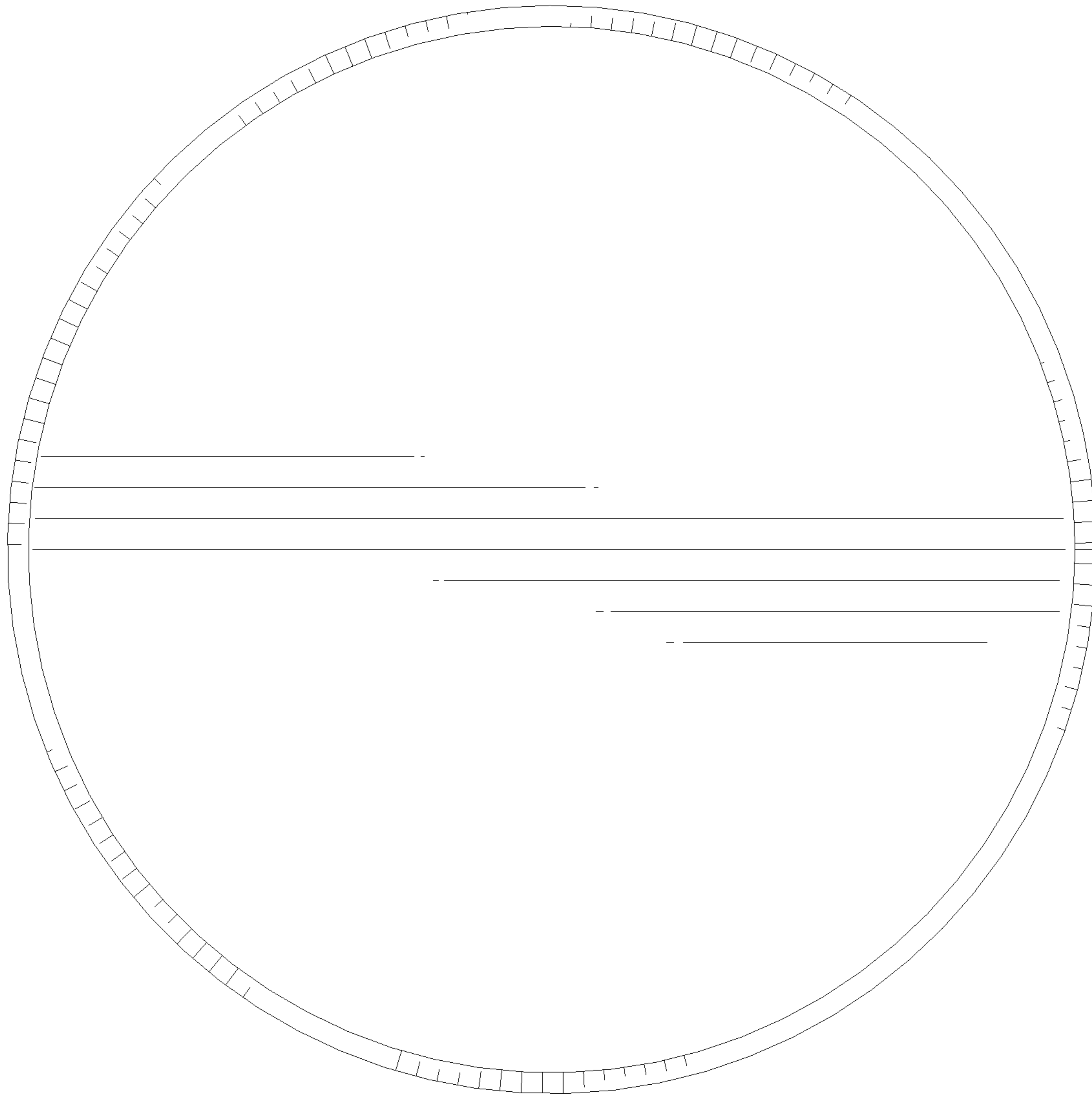


FIG. 6

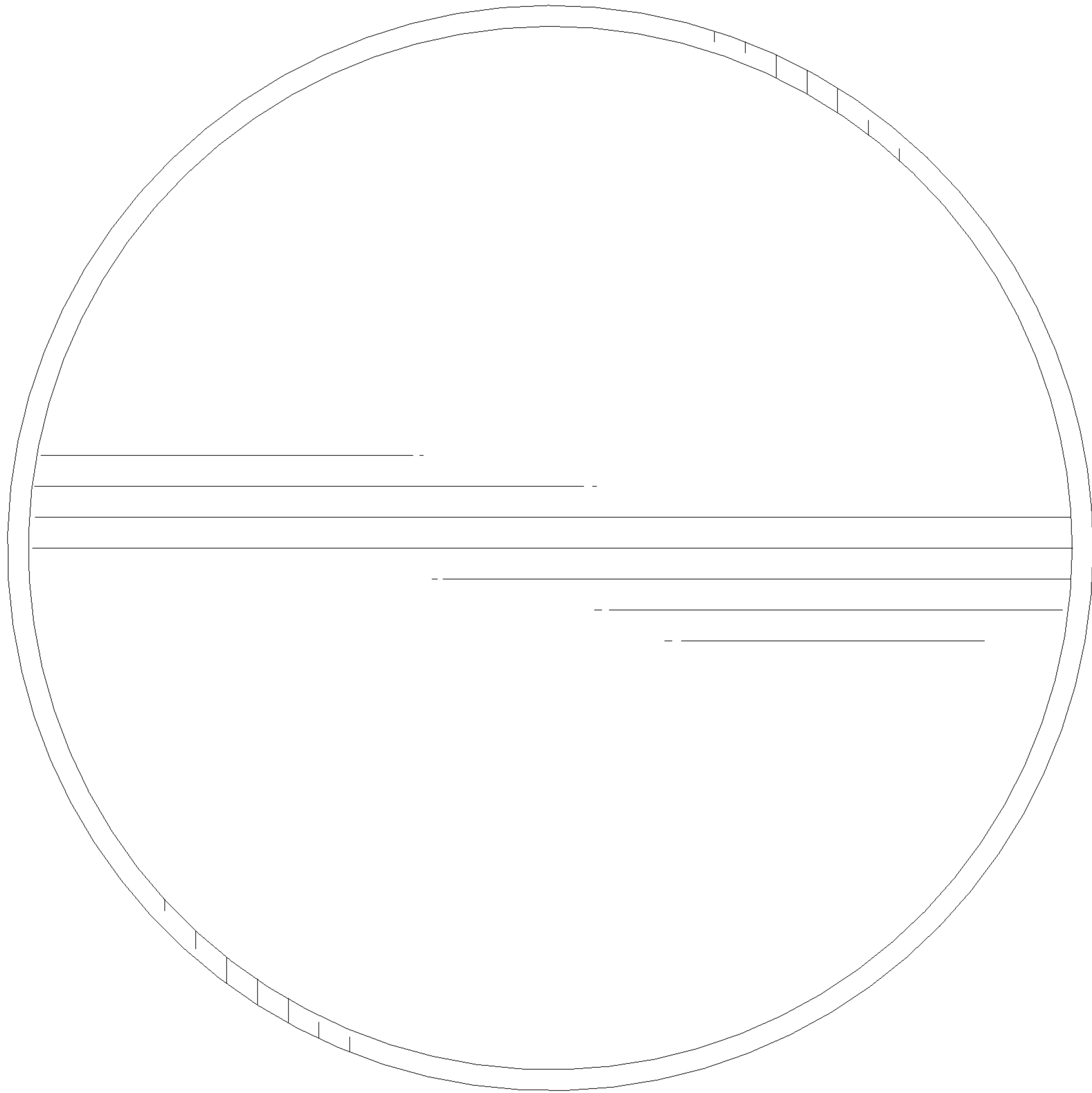


FIG. 7

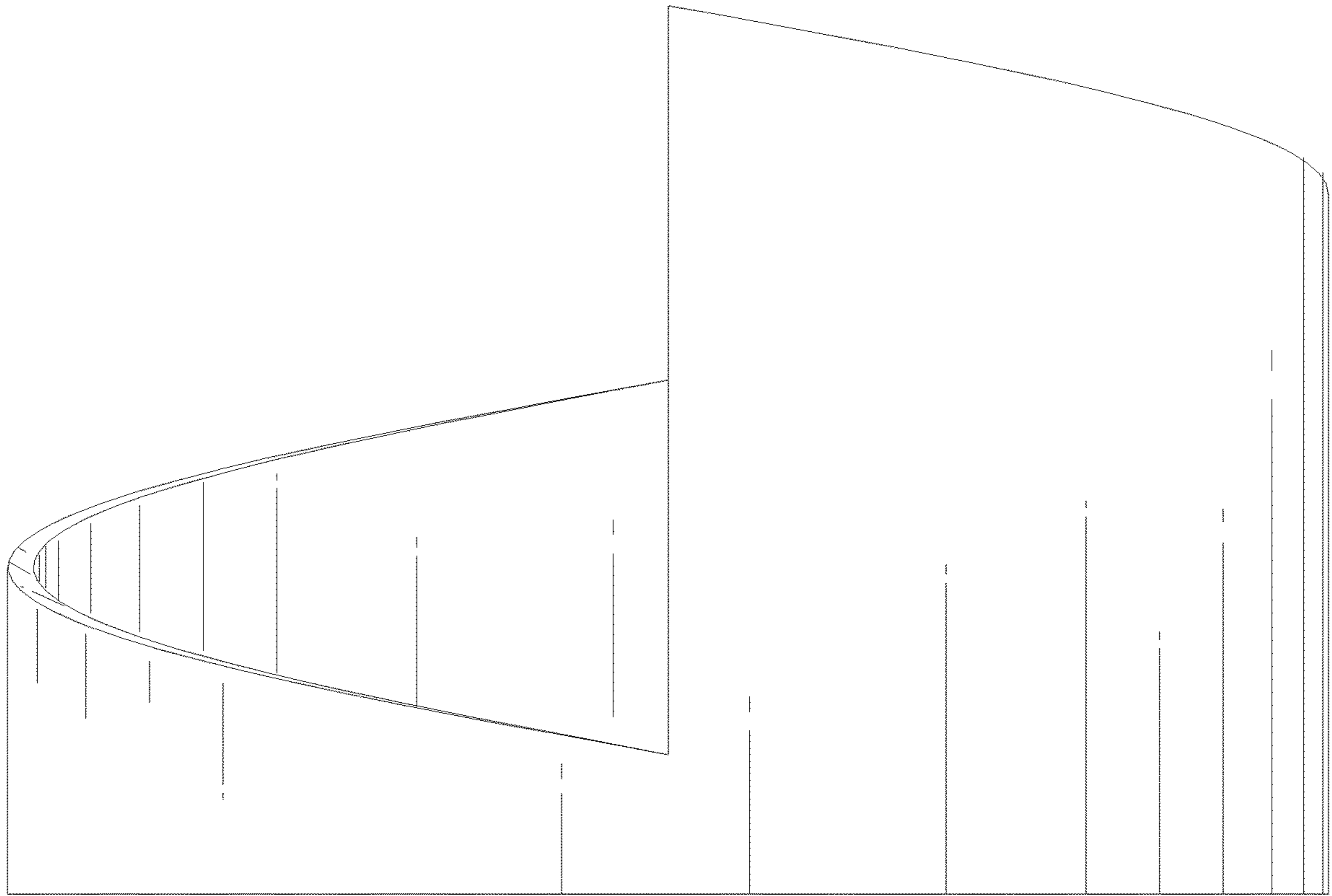


FIG. 8

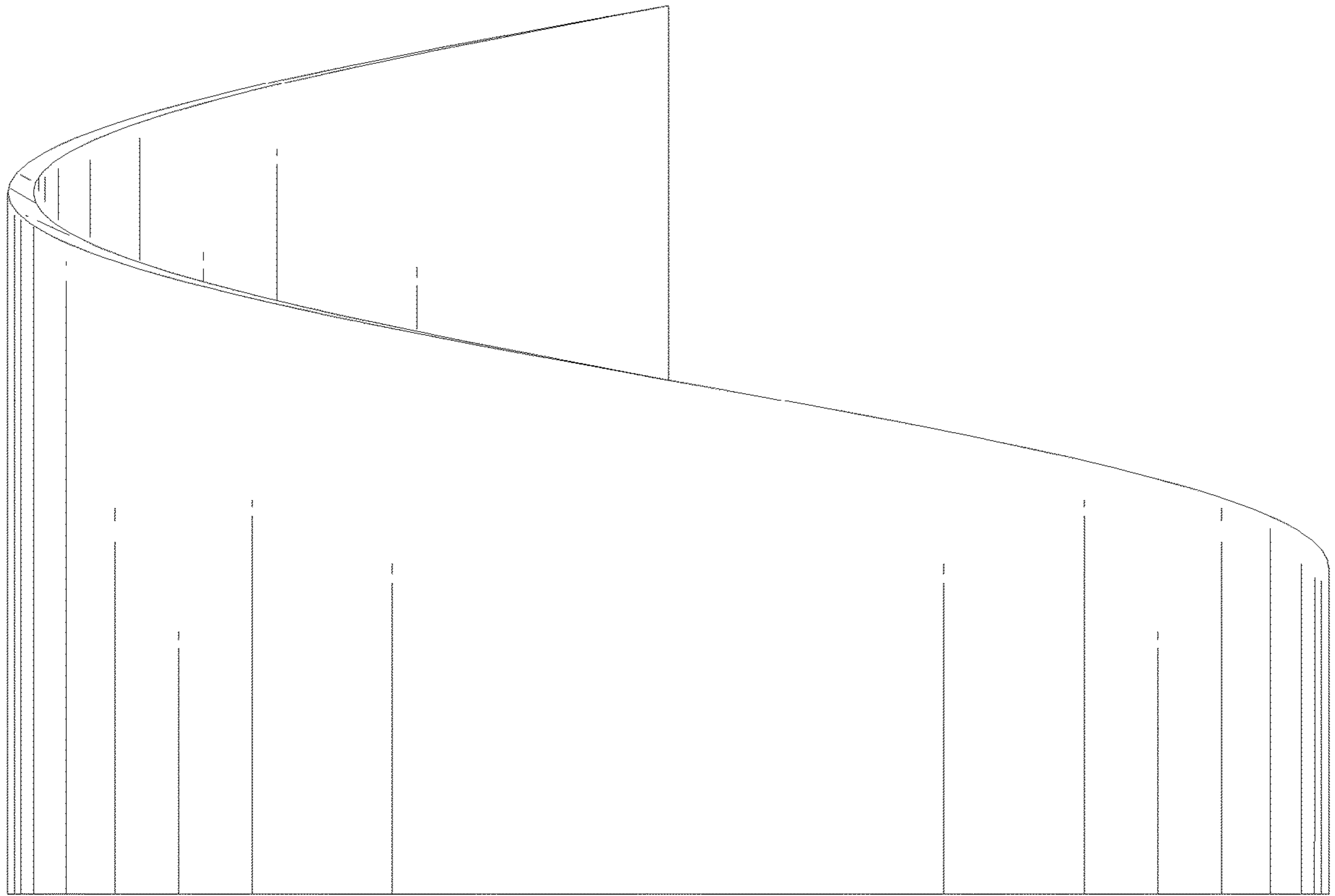


FIG. 9