



US00D972783S

(12) **United States Design Patent** (10) **Patent No.:** **US D972,783 S**
Jia (45) **Date of Patent:** **** Dec. 13, 2022**

(54) **WELDING HELMET**

(56) **References Cited**

(71) Applicant: **Weidong Jia**, Jiangsu (CN)

U.S. PATENT DOCUMENTS

(72) Inventor: **Weidong Jia**, Jiangsu (CN)

6,614,409 B1 * 9/2003 Bae A61F 9/065
2/8.7
D955,056 S * 6/2022 Jia D29/110
D955,655 S * 6/2022 Jia D29/110
D955,656 S * 6/2022 Jia D29/110

(73) Assignee: **Jiangsu Meixin Optoelectronics Technology Co., Ltd.**, Jiangsu (CN)

* cited by examiner

(**) Term: **15 Years**

Primary Examiner — Robert A Delehanty

(21) Appl. No.: **29/766,594**

(57) **CLAIM**

The ornamental design for a welding helmet, as shown and described.

(22) Filed: **Jan. 15, 2021**

DESCRIPTION

(30) **Foreign Application Priority Data**

FIG. 1 is a perspective view of a welding helmet showing my new design;
FIG. 2 is a front elevational view thereof;
FIG. 3 is a rear elevational view thereof;
FIG. 4 is a left side elevational view thereof;
FIG. 5 is a right side elevational view thereof;
FIG. 6 is a top plan view thereof;
FIG. 7 is a bottom plan view thereof;
FIG. 8 is a rear side perspective view thereof; and,
FIG. 9 is in FIG. 2.

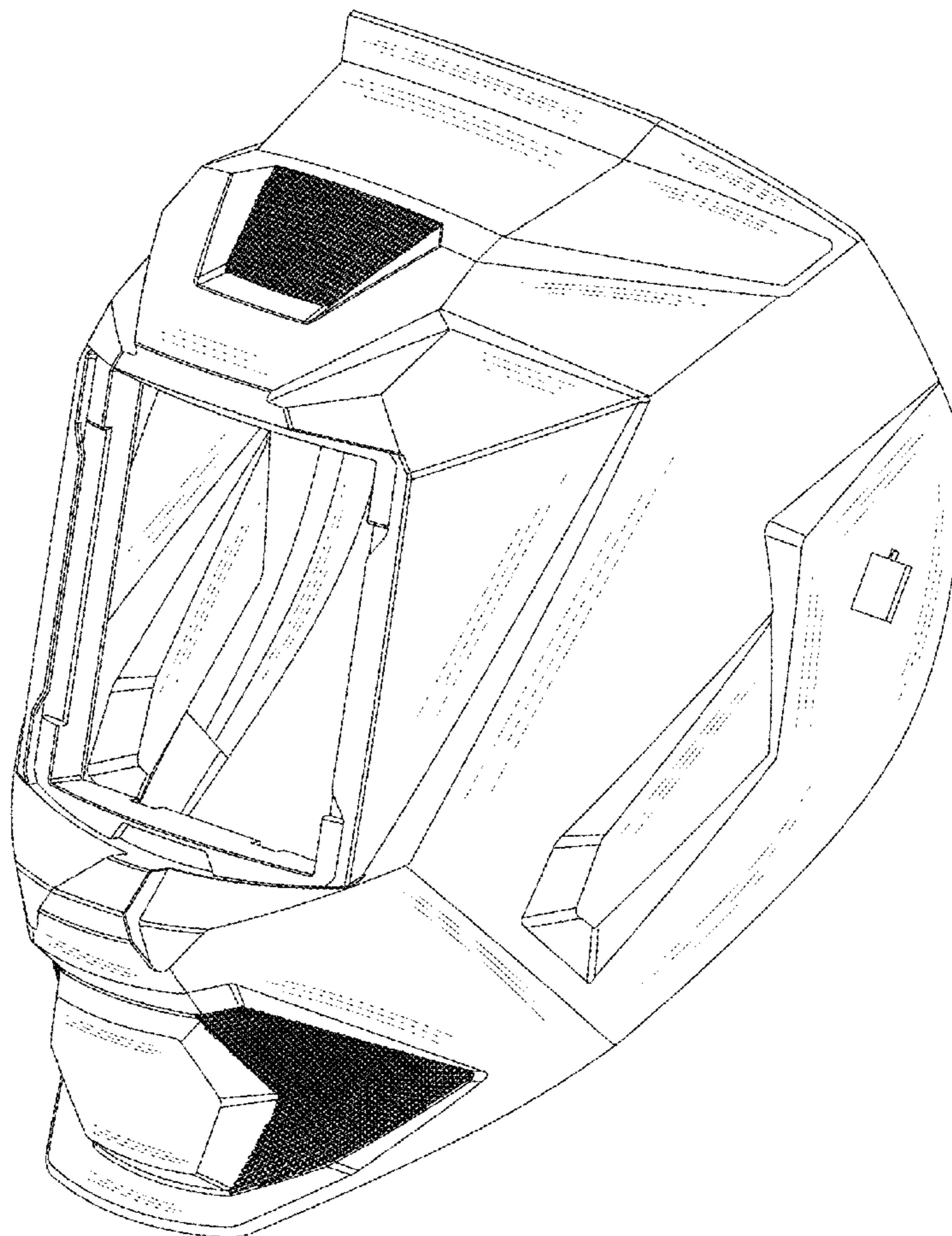
Oct. 26, 2020 (CN) 202030637383.X

(51) **LOC (13) Cl.** **29-02**

(52) **U.S. Cl.**
USPC **D29/110**

(58) **Field of Classification Search**
USPC D29/110, 122
See application file for complete search history.

1 Claim, 9 Drawing Sheets



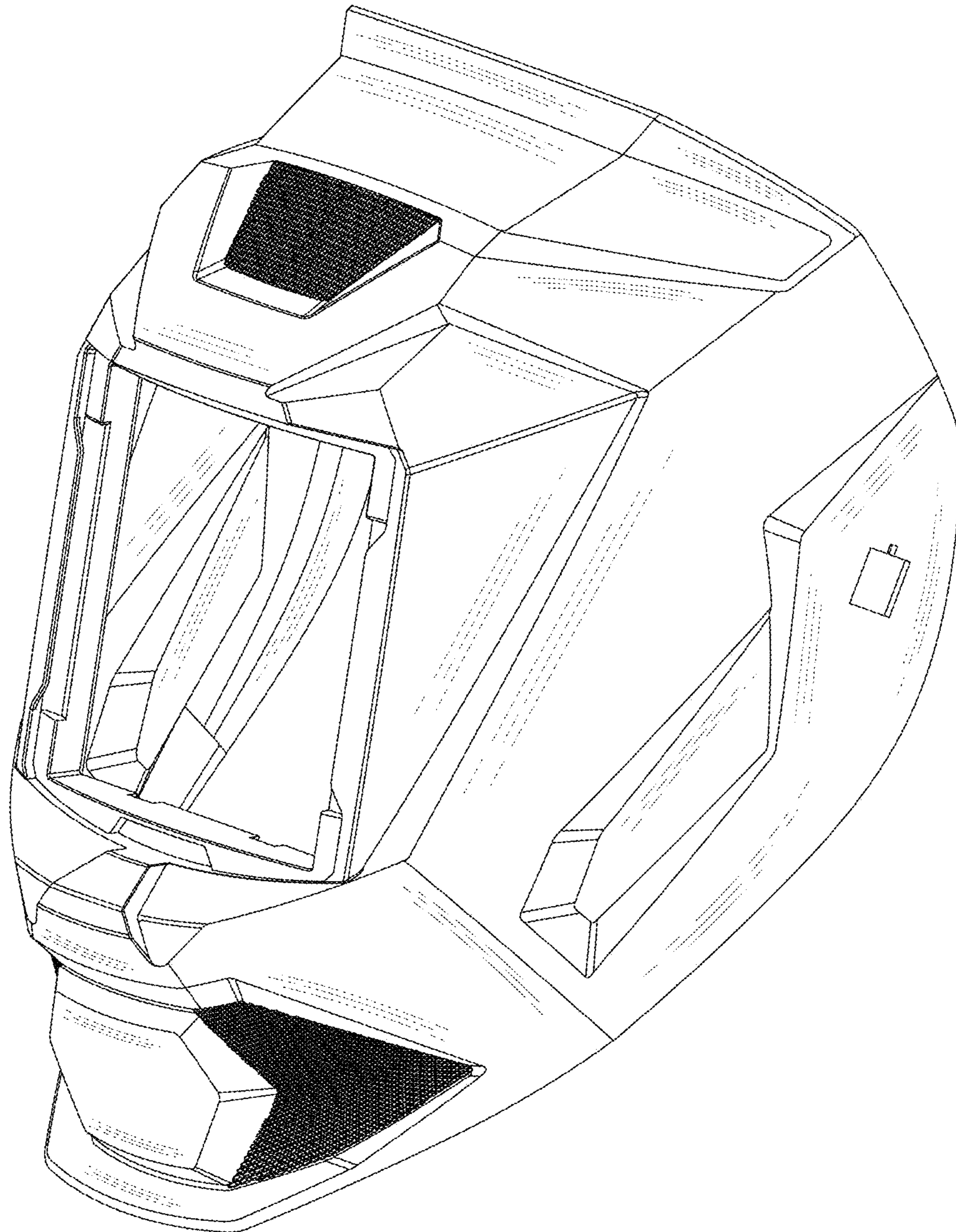


FIG. 1

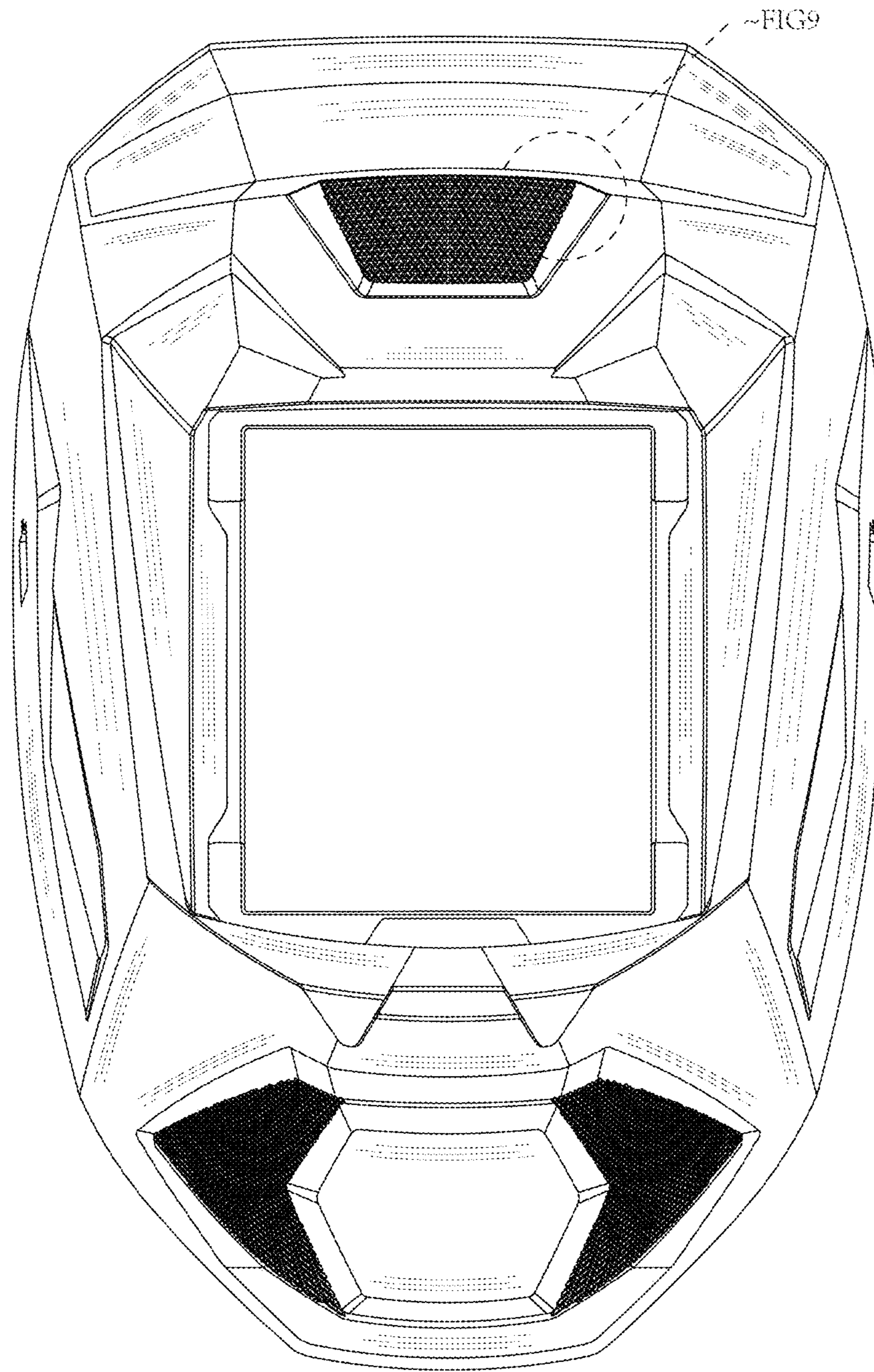


FIG. 2

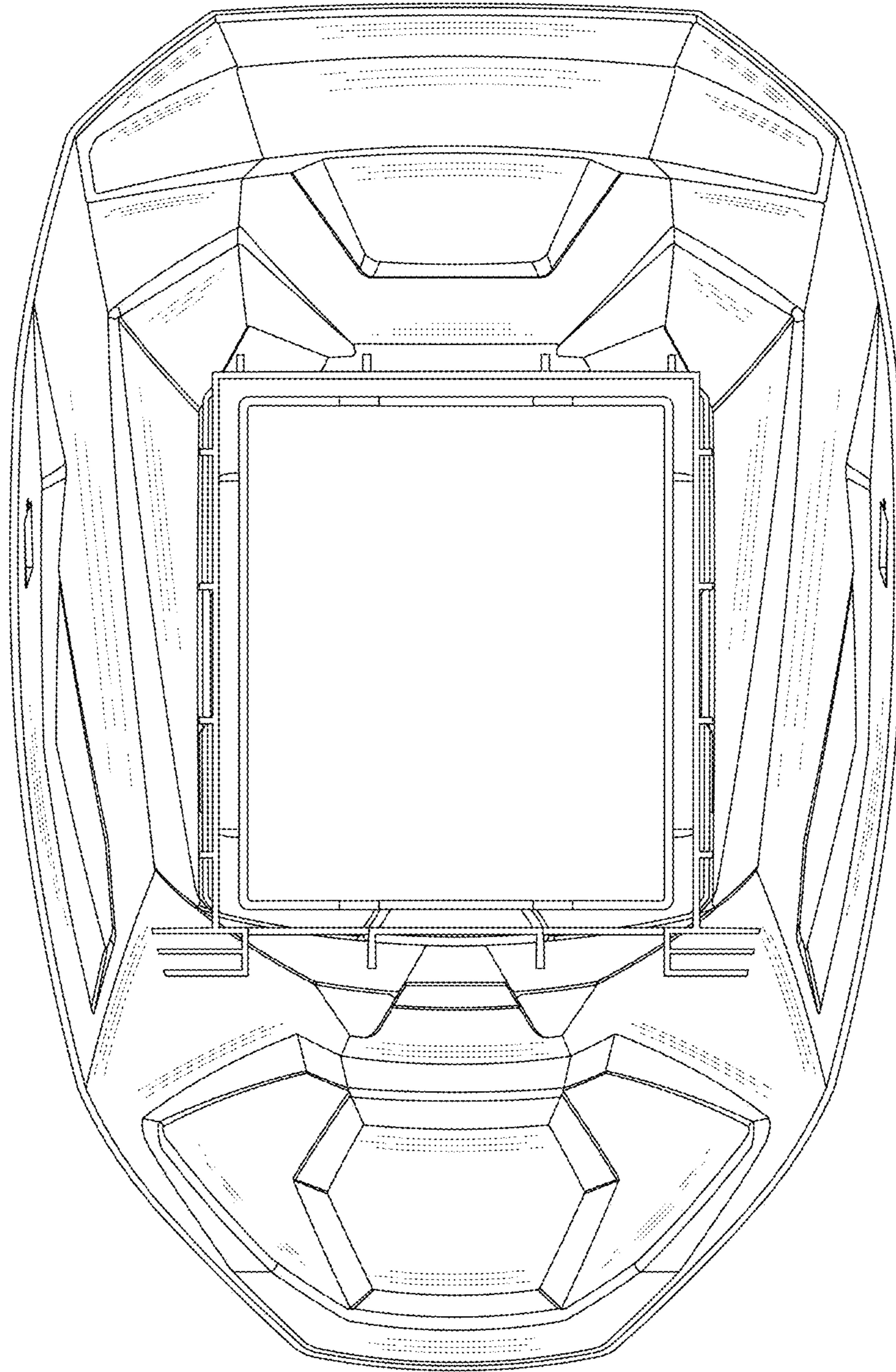


FIG. 3

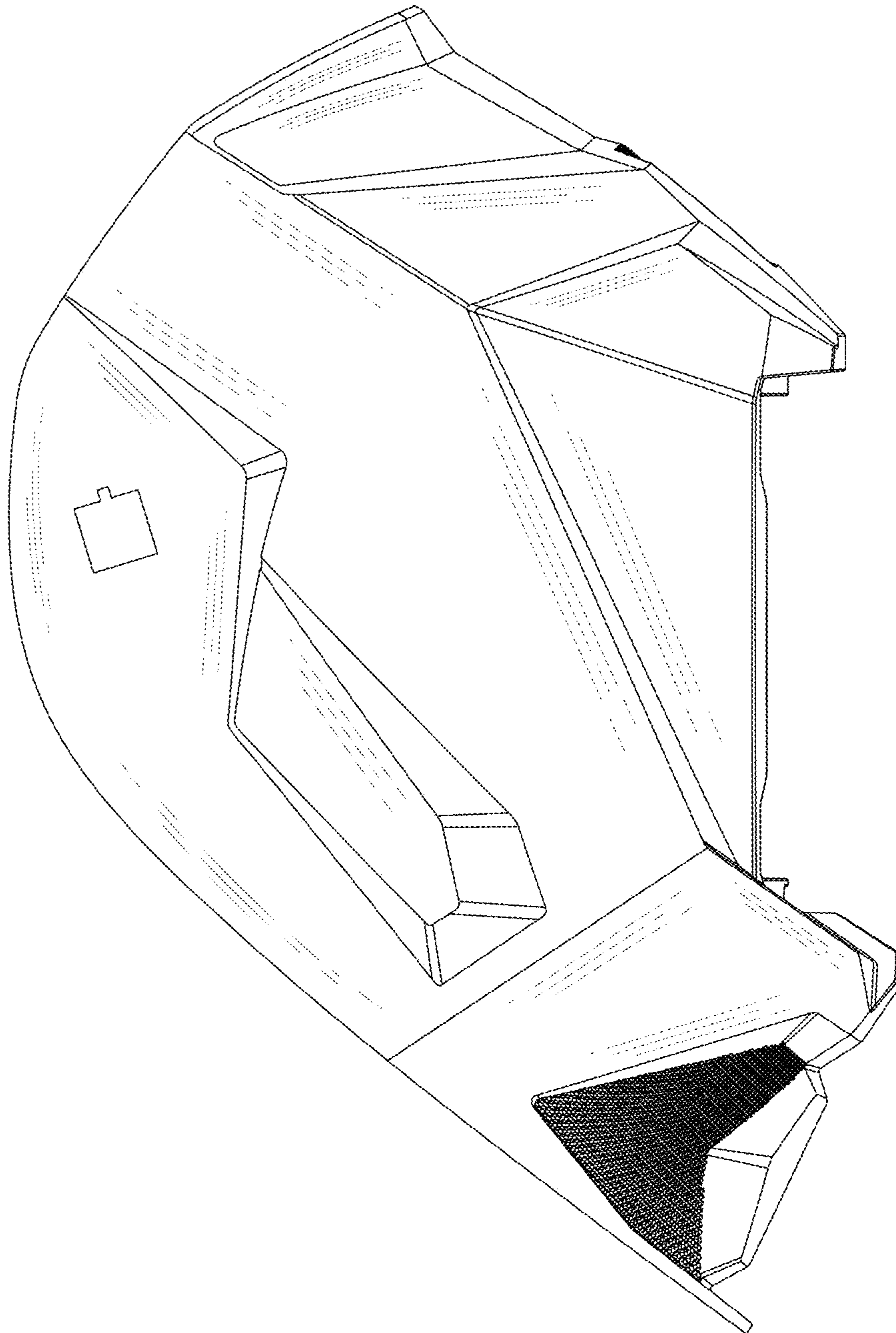


FIG. 4

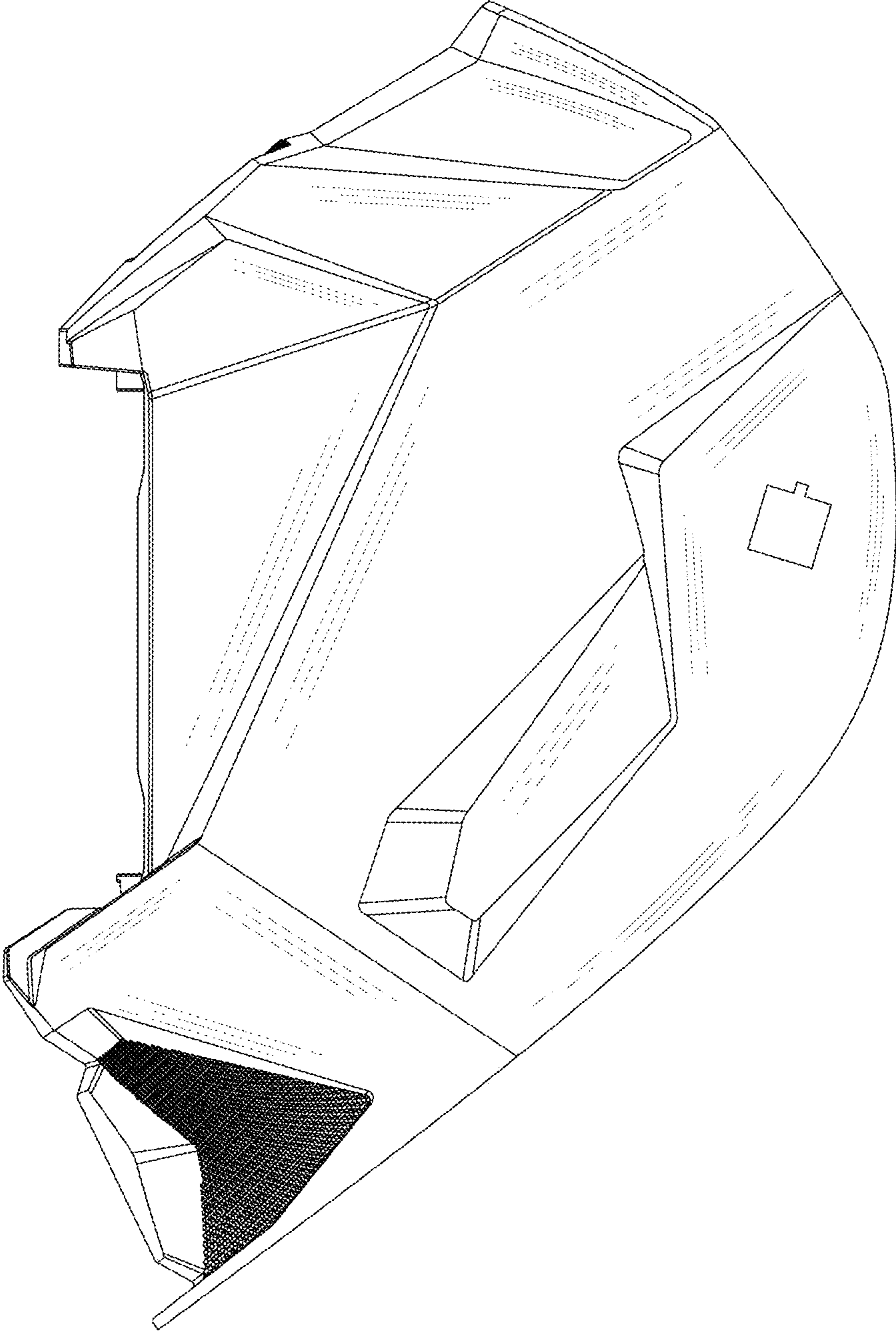


FIG. 5

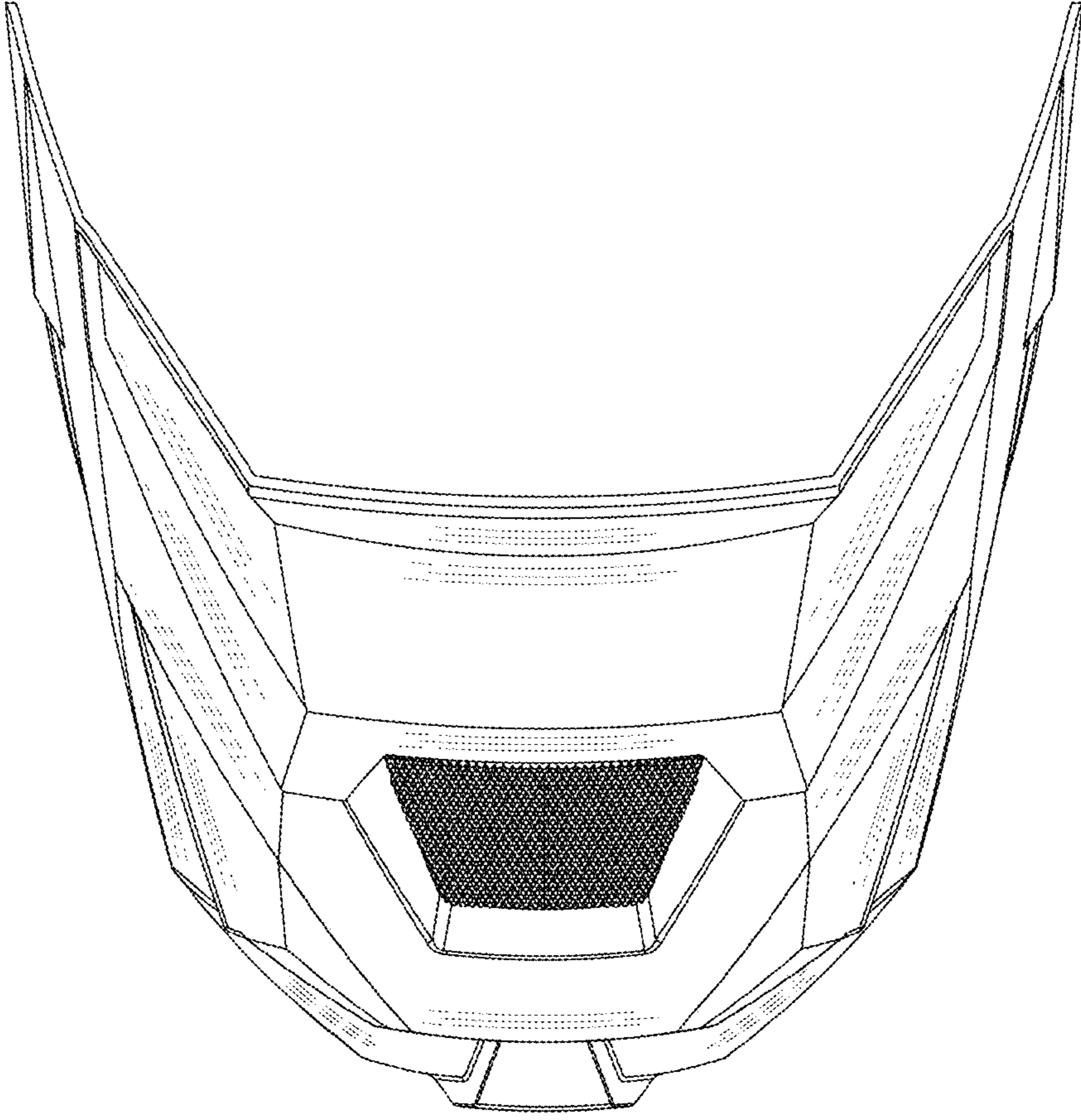


FIG. 6

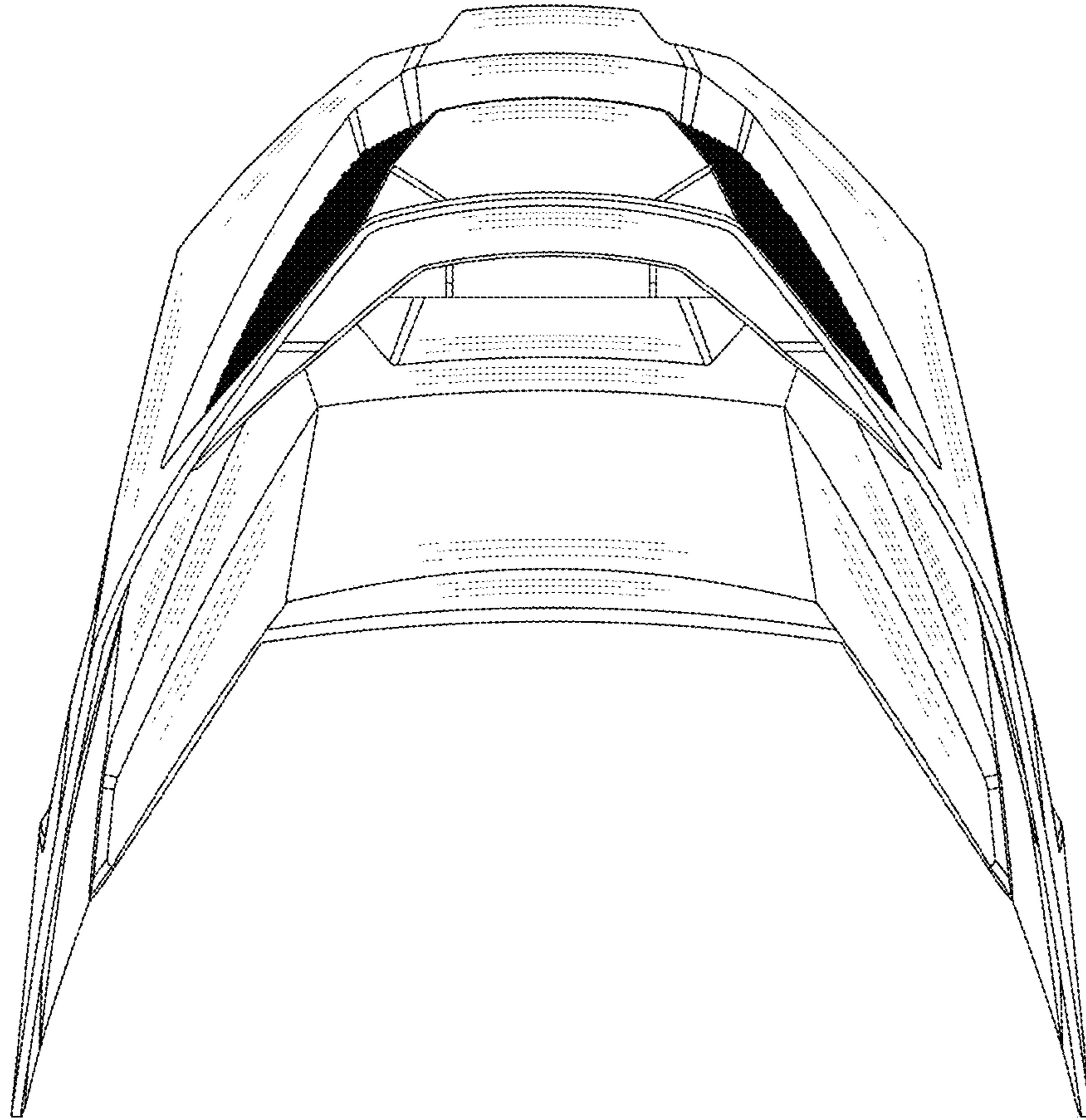


FIG. 7

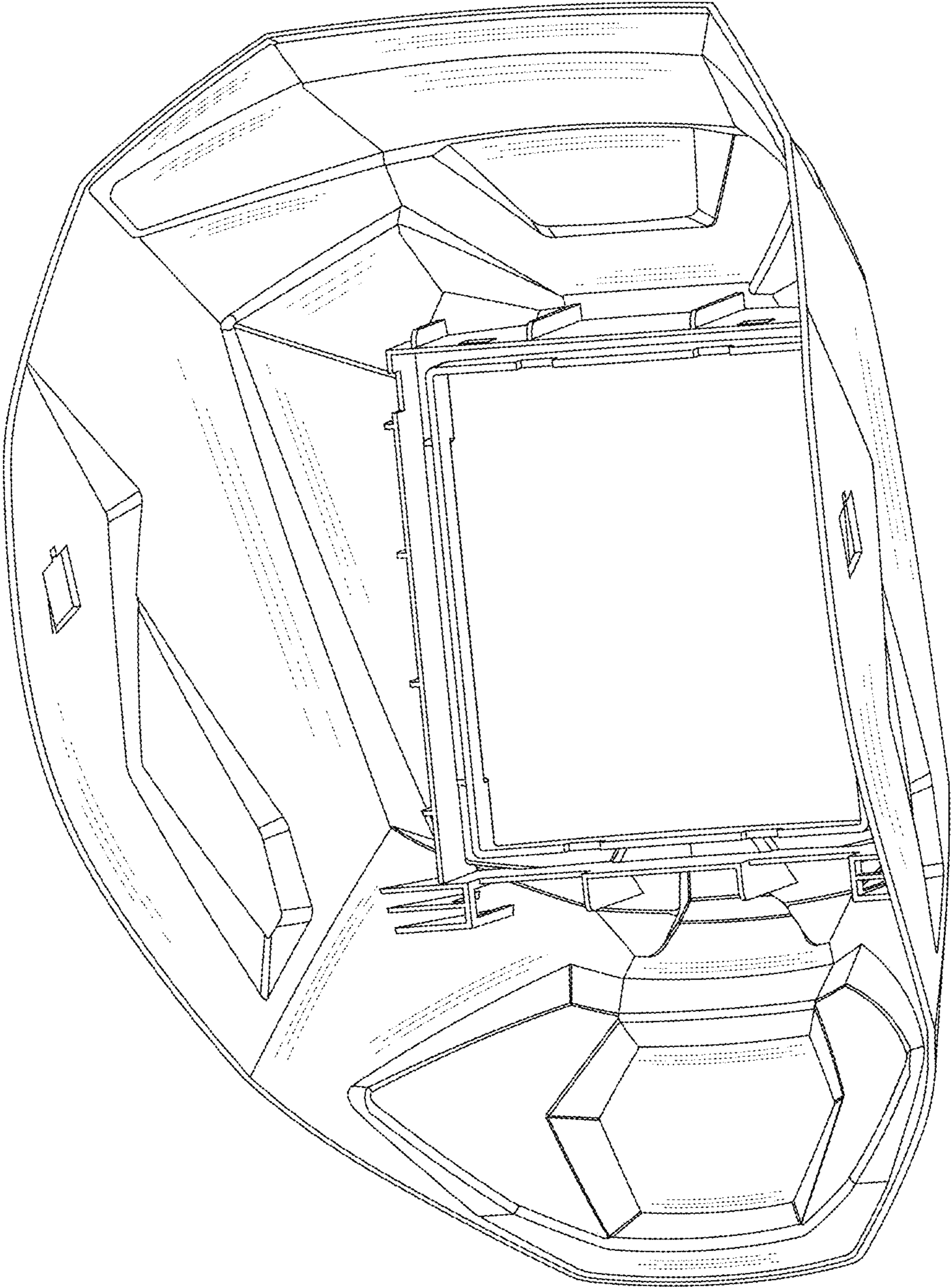


FIG. 8

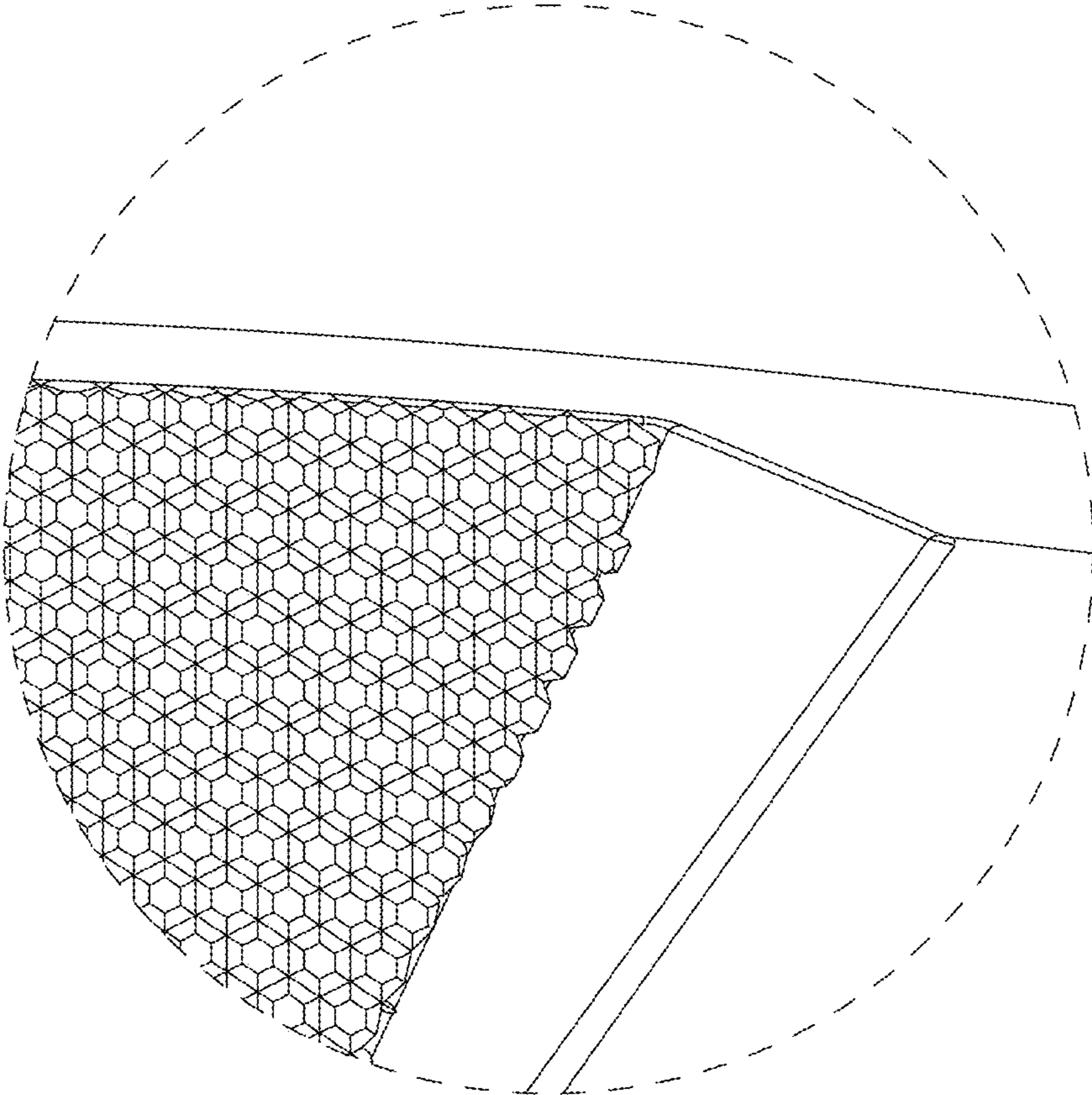


FIG. 9