

US00D972782S

(12) **United States Design Patent** (10) **Patent No.:** **US D972,782 S**
Lu (45) **Date of Patent:** **** Dec. 13, 2022**

(54) **POWER SUPPLY UNIT OF ELECTRIC NAIL DRILL**

(71) Applicant: **SHENZHEN XPADSP TECHNOLOGY CO., LTD**, Shenzhen (CN)

(72) Inventor: **Qing Lu**, Shenzhen (CN)

(**) Term: **15 Years**

(21) Appl. No.: **29/740,424**

(22) Filed: **Jul. 3, 2020**

(30) **Foreign Application Priority Data**

Apr. 3, 2020 (CN) 202030127661.7

(51) **LOC (13) Cl.** **28-03**

(52) **U.S. Cl.**
USPC **D28/58**; D8/70

(58) **Field of Classification Search**
USPC D8/25, 68, 70; D28/59–59, 62
CPC A45D 29/05; A45D 29/14
See application file for complete search history.

(56) **References Cited**

U.S. PATENT DOCUMENTS

D324,981 S *	3/1992	Viehe	D8/61
D449,271 S *	10/2001	Tong	D13/110
D637,287 S *	5/2011	Mudd	D24/133
D743,335 S *	11/2015	Chang	D13/110
D787,443 S *	5/2017	Chiang	D13/110
D788,369 S *	5/2017	Yiu	D28/59
D822,280 S *	7/2018	Dadon	D28/59
D825,107 S *	8/2018	Du	D28/58
D839,823 S *	2/2019	Lemelson	D13/103
D861,597 S *	10/2019	Gan	D13/103
D886,054 S *	6/2020	Liao	D13/103
D889,426 S *	7/2020	Fu	D14/159
D900,395 S *	10/2020	Du	D28/58

D902,490 S *	11/2020	Du	D28/58
D903,197 S *	11/2020	Du	D28/58
D903,198 S *	11/2020	Du	D28/58
D903,199 S *	11/2020	Li	D28/58
D912,903 S *	3/2021	Fu	D28/58
D912,904 S *	3/2021	Tan	D28/58
D915,675 S *	4/2021	Li	D15/132
D918,828 S *	5/2021	Liu	D13/102
D921,296 S *	6/2021	Duong	D28/58
D923,590 S *	6/2021	Lu	D13/168
D933,591 S *	10/2021	Liu	D13/103

(Continued)

OTHER PUBLICATIONS

“Genmine Nail Drill Machine”, Sep. 13, 2017, Amazon.ca, site visited Mar. 21, 2022: <https://www.amazon.ca/genmine-20000rpm-Rechargeable-Electric-Manicure/dp/B075JCM1CD> (Year: 2017).*

(Continued)

Primary Examiner — Jack Reickel

Assistant Examiner — Michael A Kervin

(74) *Attorney, Agent, or Firm* — Rumit R. Kanakia

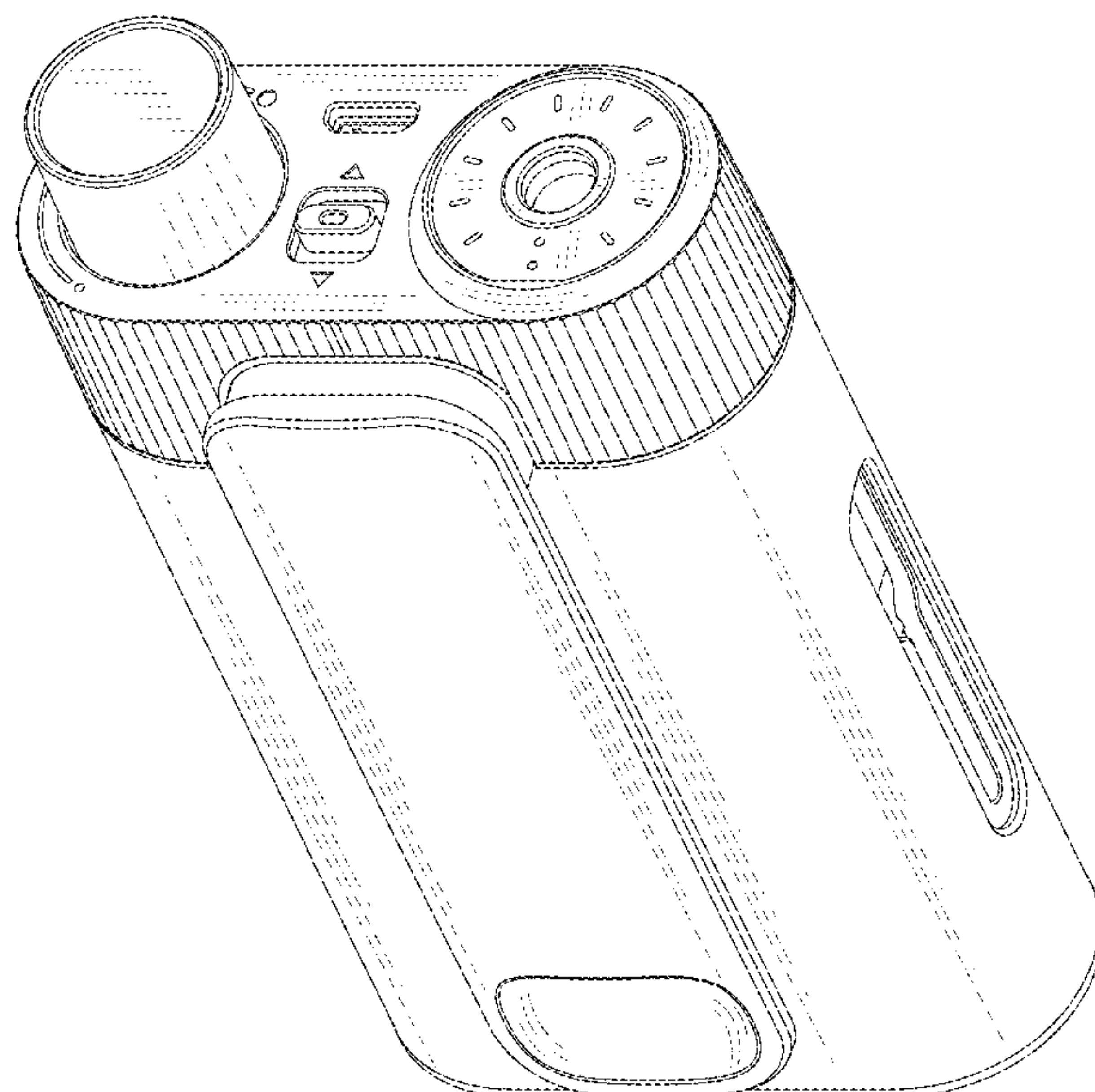
(57) **CLAIM**

The ornamental design for a power supply unit of electric nail drill, as shown and described.

DESCRIPTION

FIG. 1 is a first perspective view of a power supply unit of electric nail drill showing my new design;
FIG. 2 is a second perspective view thereof;
FIG. 3 is a front view thereof;
FIG. 4 is a back view thereof;
FIG. 5 is a left side view thereof;
FIG. 6 is a right side view thereof;
FIG. 7 is a top view thereof;
FIG. 8 is a bottom view thereof; and,
FIG. 9 is an enlarged view of the selected portion in FIG. 7.

1 Claim, 9 Drawing Sheets



(56)

References Cited

U.S. PATENT DOCUMENTS

D935,101 S * 11/2021 Tan D28/58
D935,401 S * 11/2021 Zhang D13/103
D945,958 S * 3/2022 Wen D13/102
2020/0052514 A1 * 2/2020 Haile A45D 29/05
2020/0375336 A1 * 12/2020 Hurter H02J 7/0045
2021/0045513 A1 * 2/2021 Cheng H02J 7/0044
2021/0100332 A1 * 4/2021 Hsieh A61L 2/26

OTHER PUBLICATIONS

“Valentine’s Day Carnival BOQUITE Manicure Nail Drill”, Jun. 2, 2019, Amazon.ca, site visited Mar. 21, 2022: <https://www.amazon.ca/Boquite-Valentines-Carnival-Portable-Rechargeable/dp/B07TXJJGG5> (Year: 2019).*

* cited by examiner

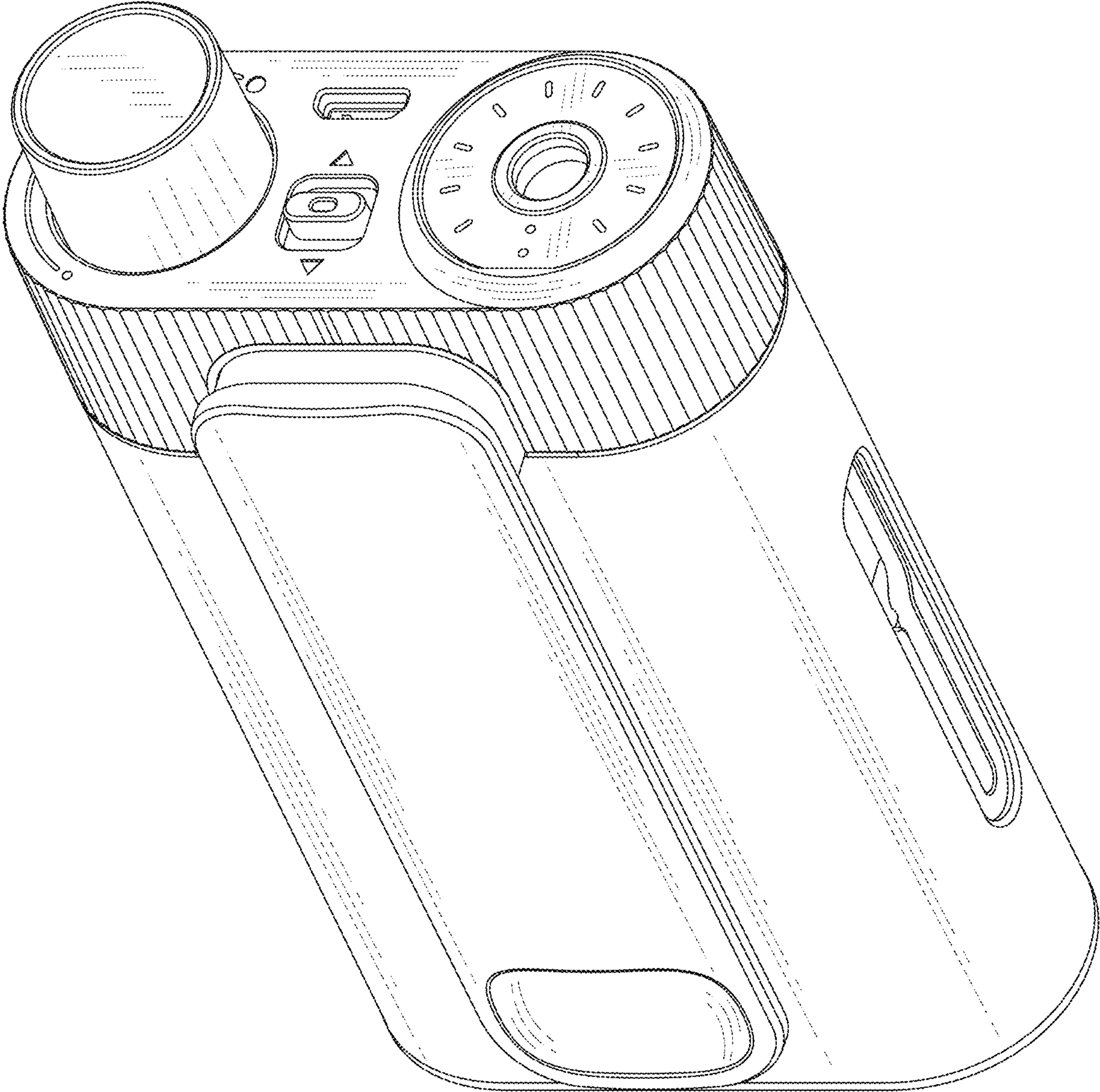


FIG. 1

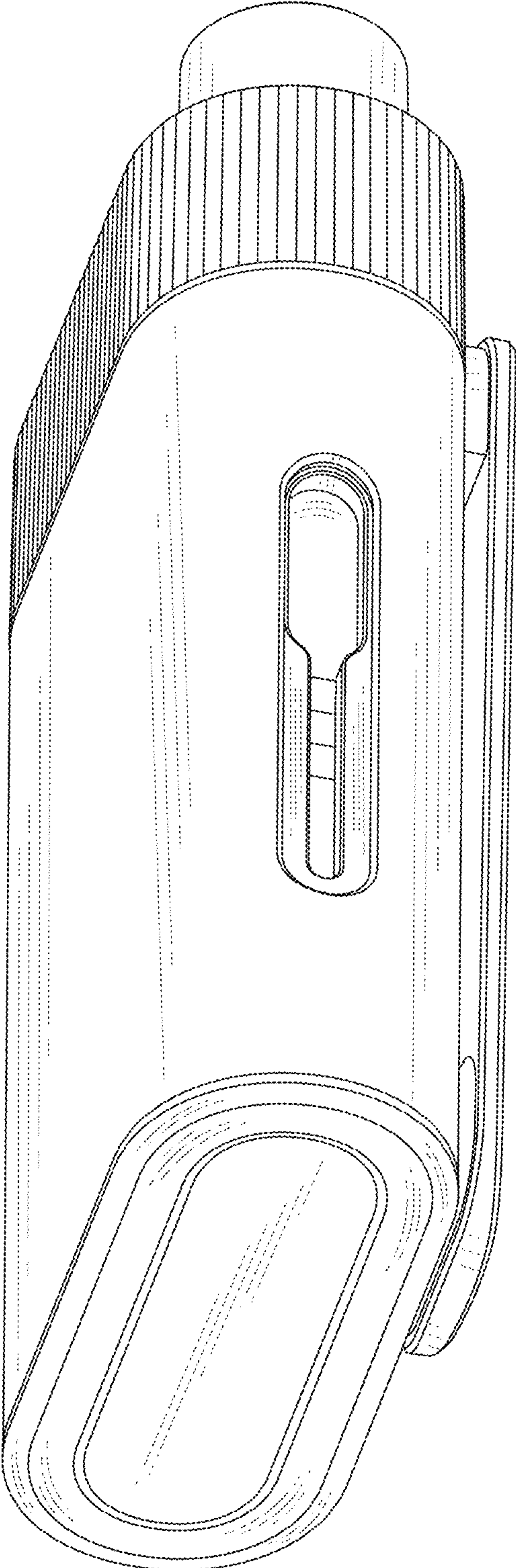


FIG.2

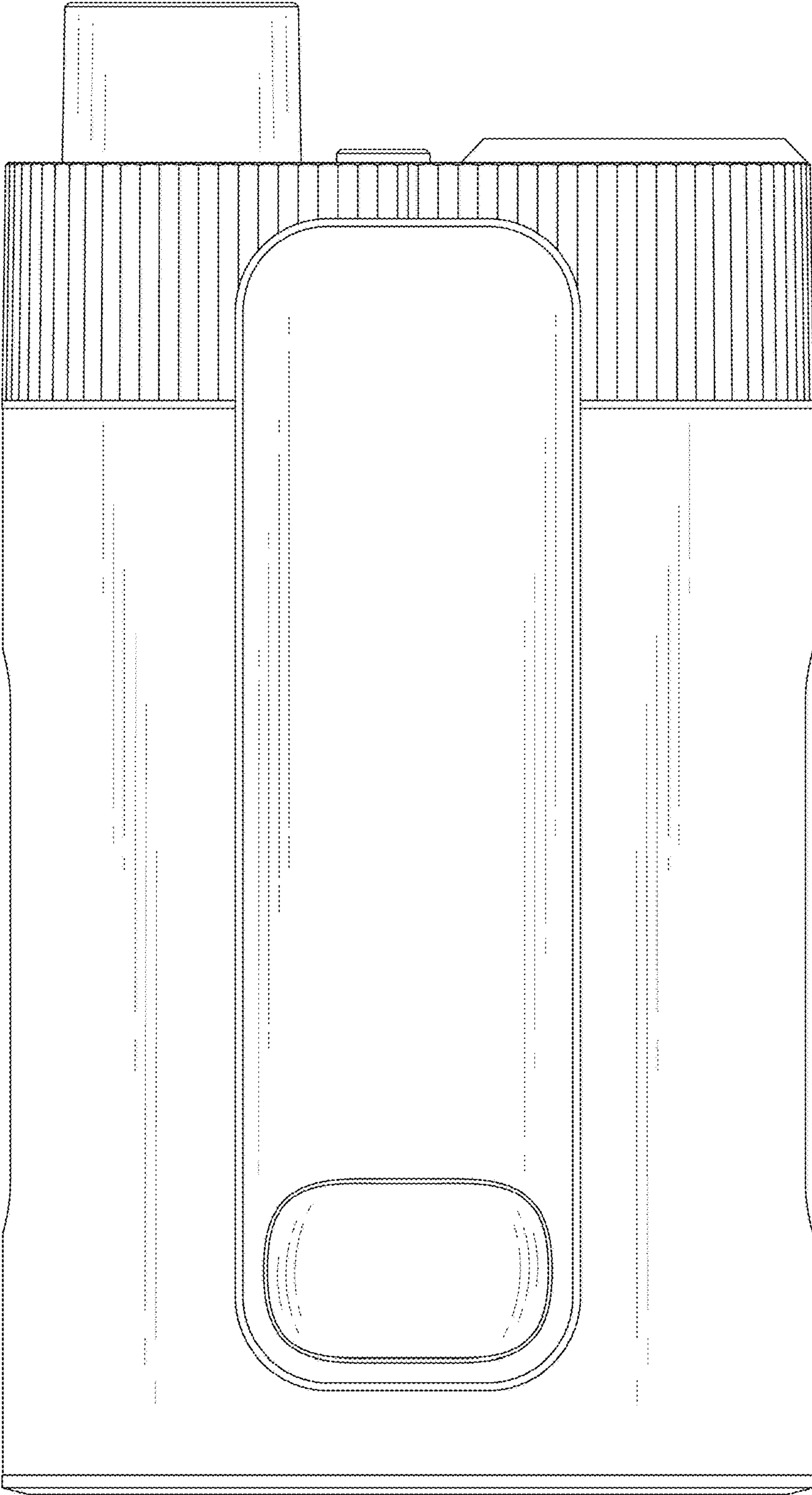


FIG.3

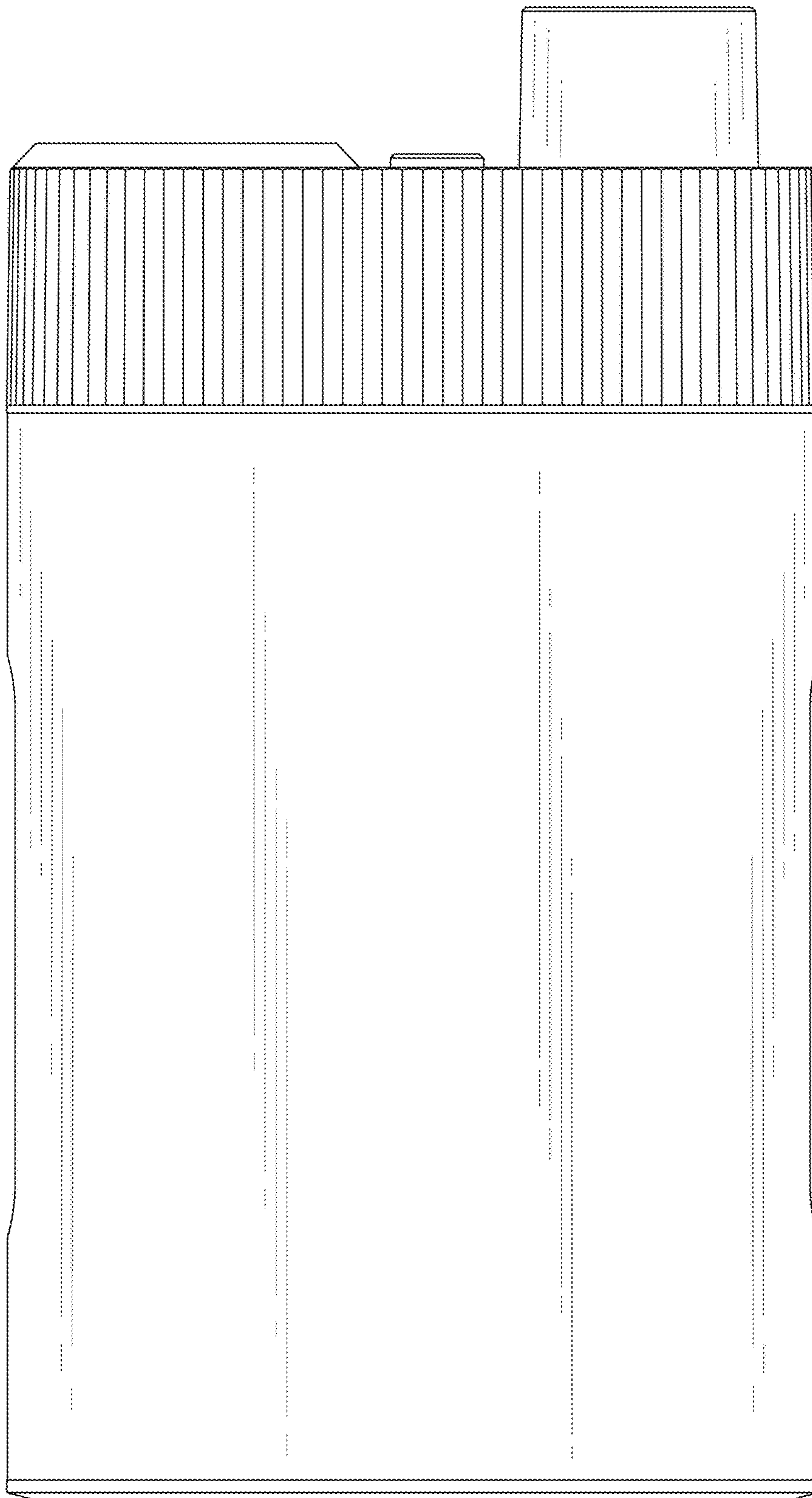


FIG.4

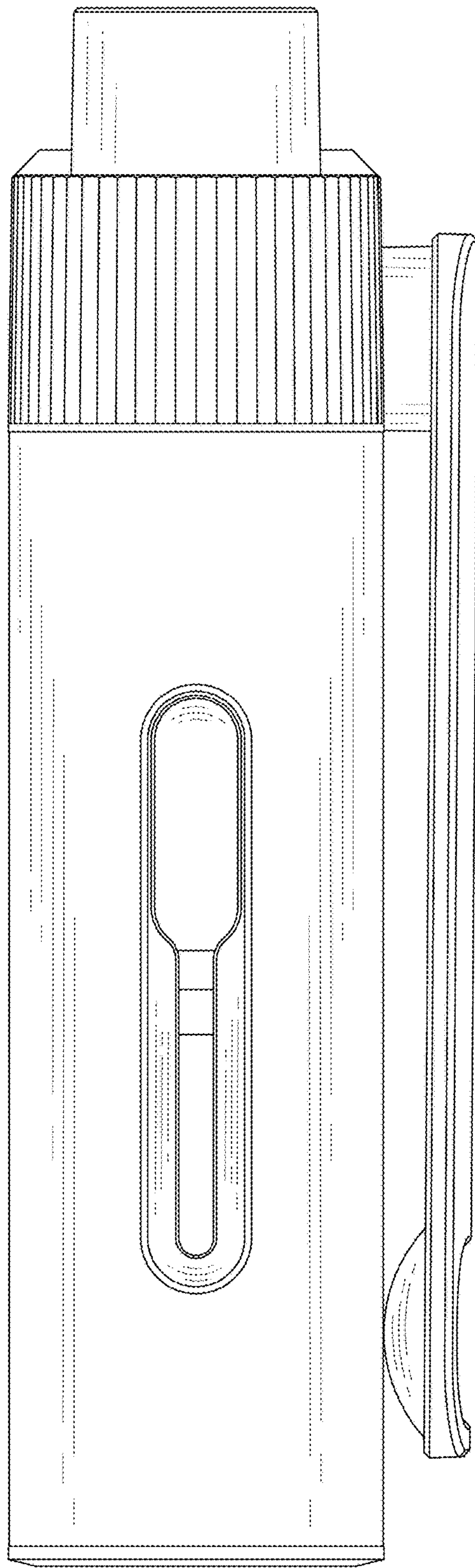


FIG.5

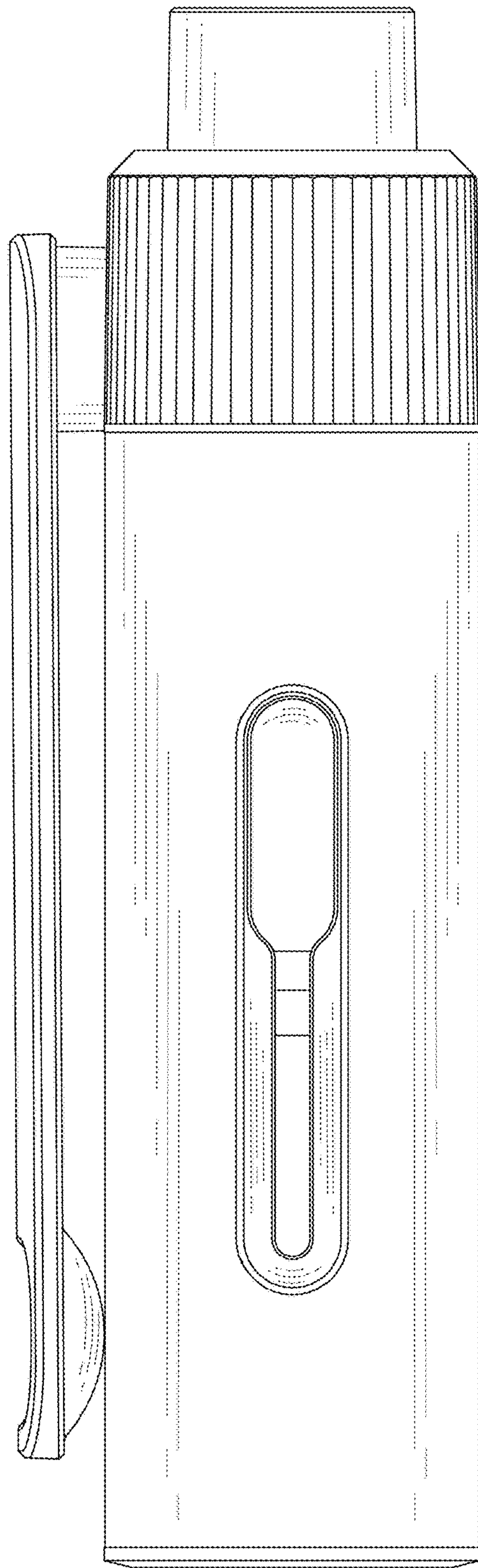


FIG.6

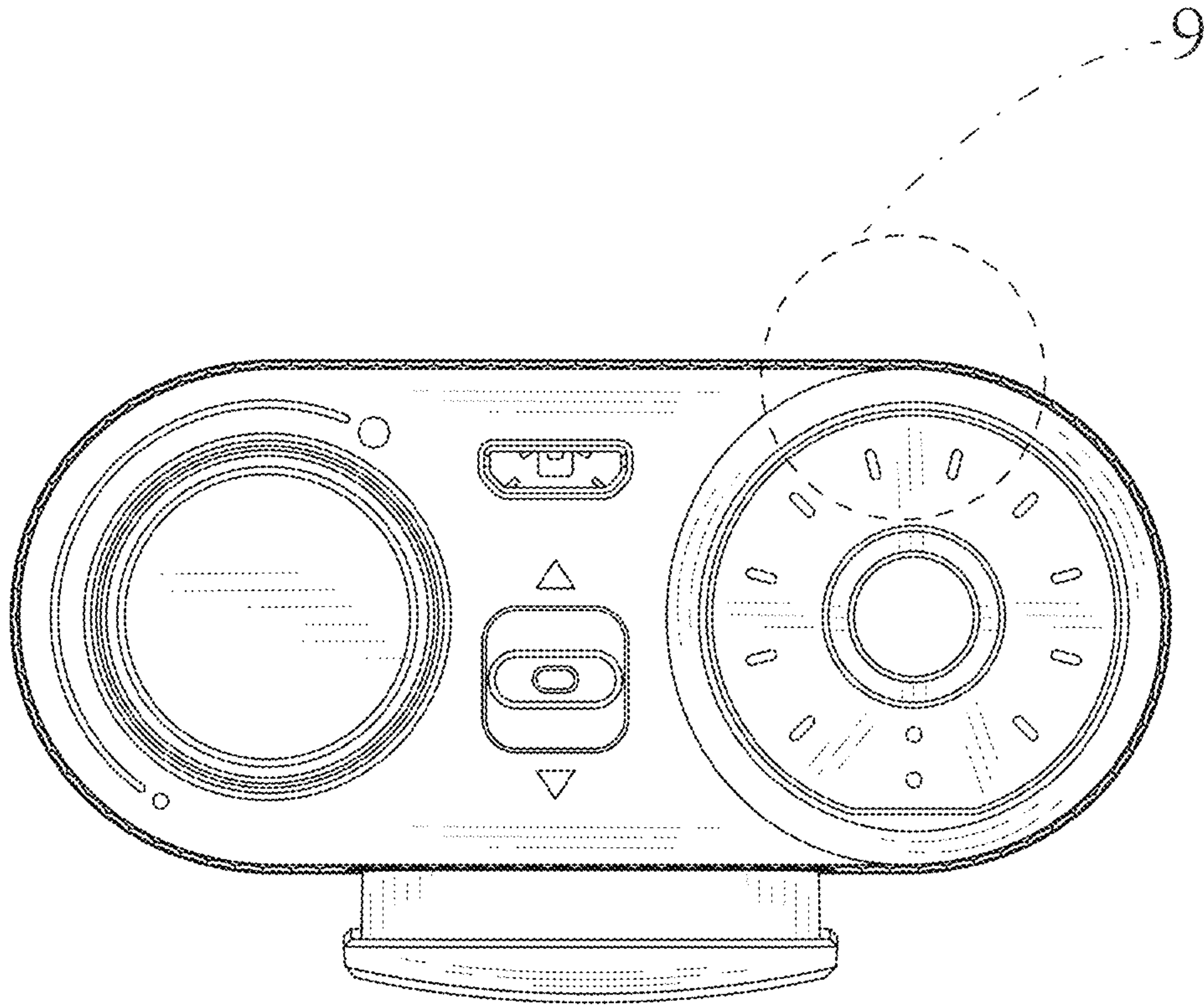


FIG.7

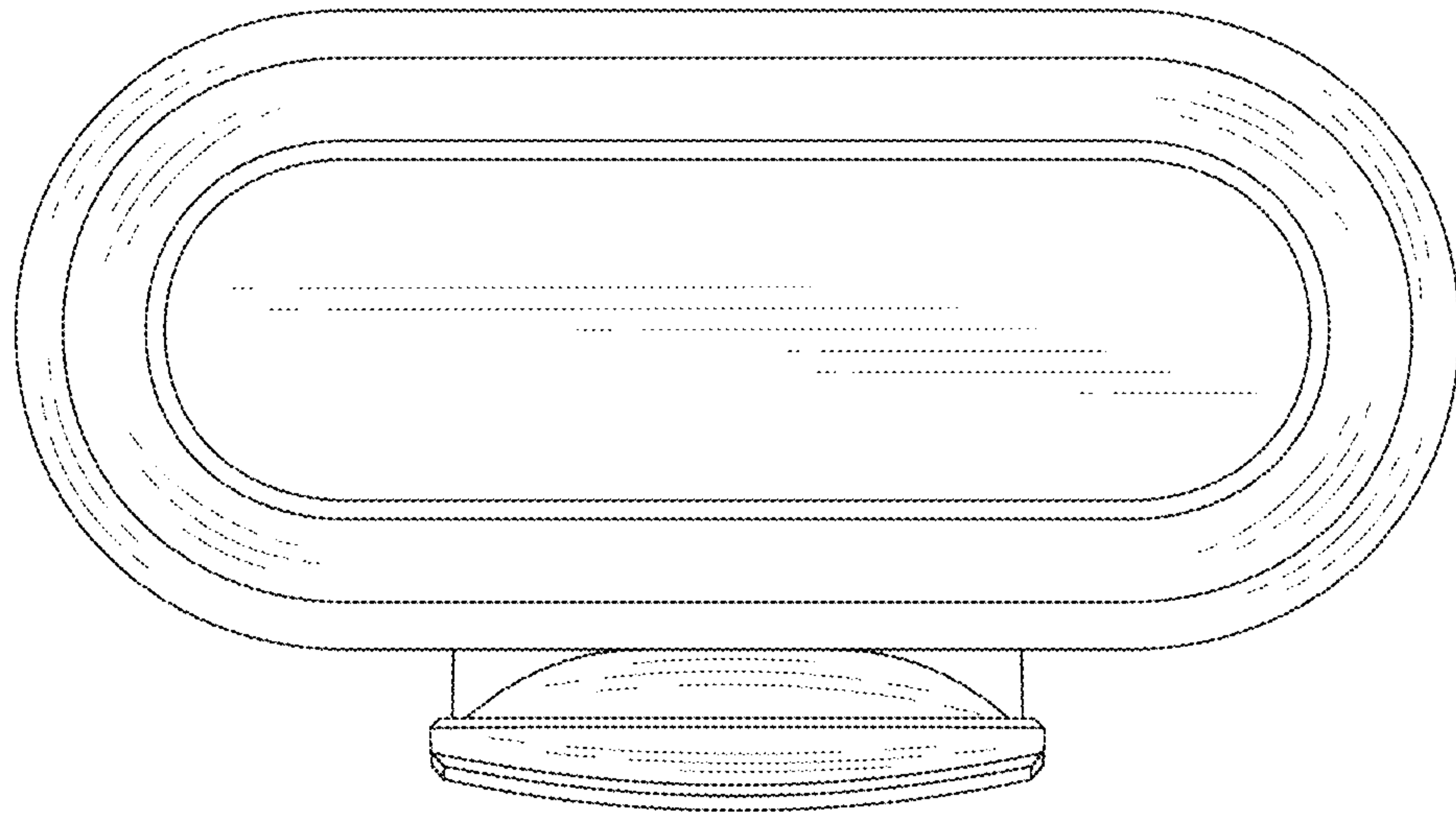


FIG.8

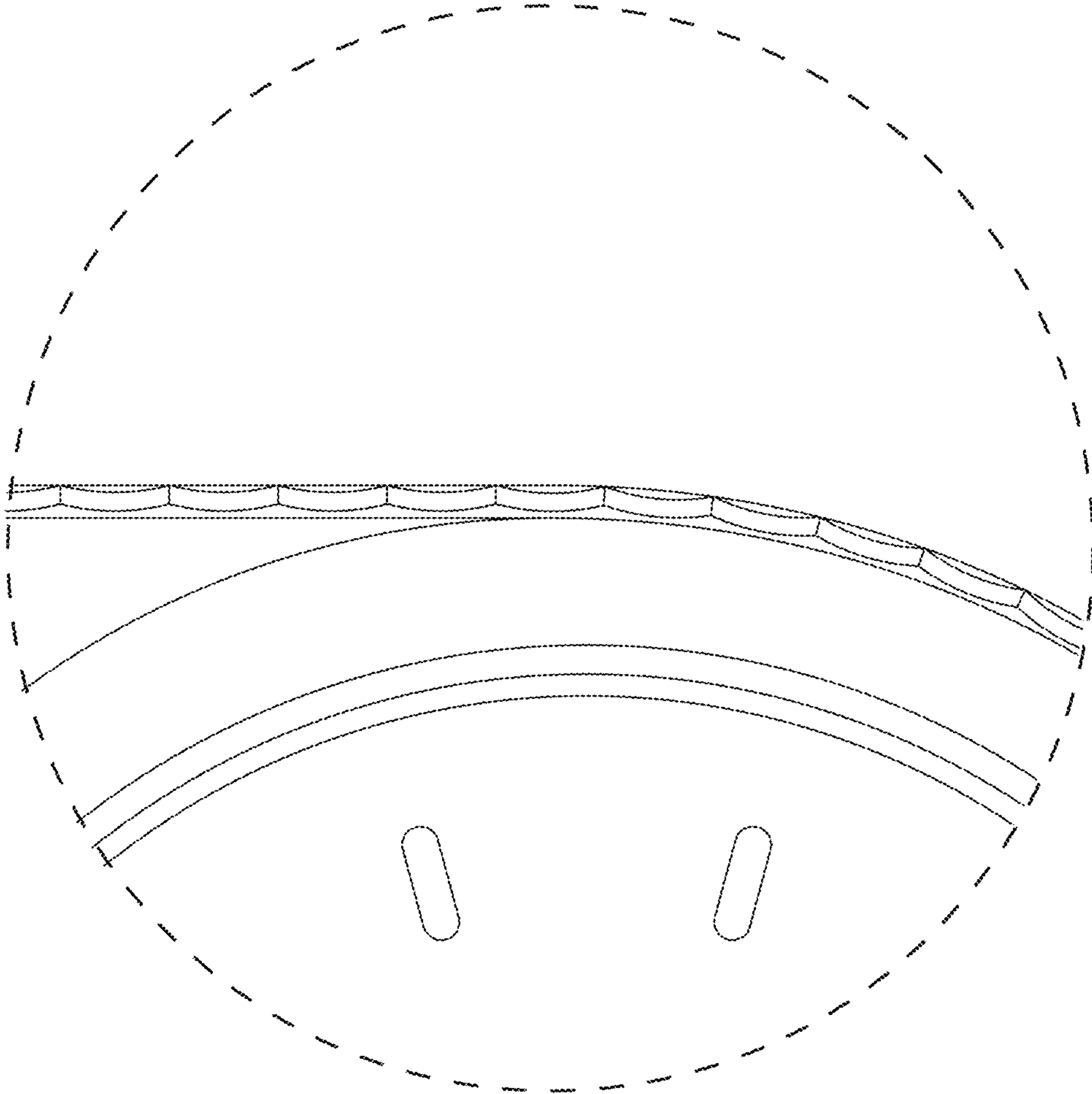


FIG.9