



US00D972780S

(12) **United States Design Patent** (10) **Patent No.:** **US D972,780 S**  
**Wang** (45) **Date of Patent:** **\*\* Dec. 13, 2022**

(54) **HAIR CLIPPER**

(71) Applicant: **Bin Wang**, Jinhua (CN)

(72) Inventor: **Bin Wang**, Jinhua (CN)

(\*\*) Term: **15 Years**

(21) Appl. No.: **29/828,970**

(22) Filed: **Mar. 2, 2022**

(51) **LOC (13) Cl.** ..... **28-03**

(52) **U.S. Cl.**  
USPC ..... **D28/53**

(58) **Field of Classification Search**  
USPC ..... D28/49-54  
CPC ..... B26B 19/3846; B26B 19/3853; B26B  
19/20-24; B26B 19/02-08  
See application file for complete search history.

(56) **References Cited**

U.S. PATENT DOCUMENTS

D464,466 S	10/2002	Rizzuto, Jr.	
D695,964 S	12/2013	Salagnac	
D789,610 S	6/2017	Kulshreshtha	
D853,646 S	7/2019	Boulanger	
D853,647 S	7/2019	Boulanger	
D853,648 S	7/2019	Boulanger	
D859,743 S	9/2019	Lambrech	
D867,663 S	11/2019	Boulanger	
D869,768 S	12/2019	Cowan	
D895,209 S	9/2020	Lambrech	
D905,345 S	* 12/2020	Carlucci	D28/53
D910,918 S	* 2/2021	Jiang	D28/53
D910,920 S	* 2/2021	Jiang	D28/53
D923,250 S	* 6/2021	Jiang	D28/54
D949,480 S	* 4/2022	Lou	D28/53
D952,257 S	* 5/2022	Jiang	D28/53

OTHER PUBLICATIONS

Novah professional hair clippers and trimmer kit for men, www.amazon.com, 1 page, first available May 28, 2021 (Year: 2021).\*  
Amuliss professional hair clippers and zero gap trimmer, www.amazon.com, 1 page, first available Apr. 2022 (Year: 2022).\*  
Mosmaoo professional cordless hair clippers, www.amazon.com, 1 page, first available Jun. 15, 2021 (Year: 2021).\*

\* cited by examiner

*Primary Examiner* — Jennifer Rivard

(74) *Attorney, Agent, or Firm* — Runit Ranjit Kanakia

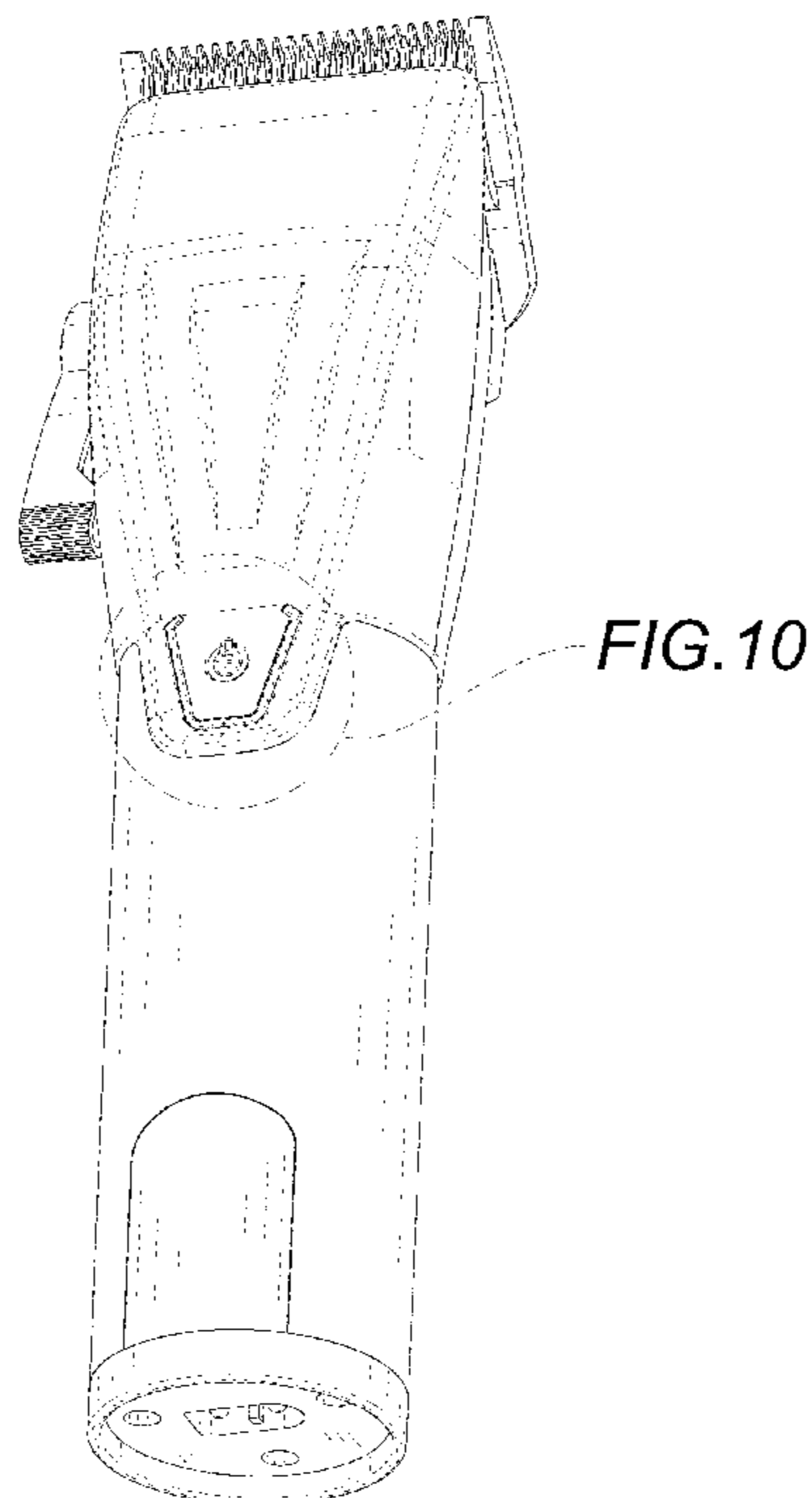
(57) **CLAIM**

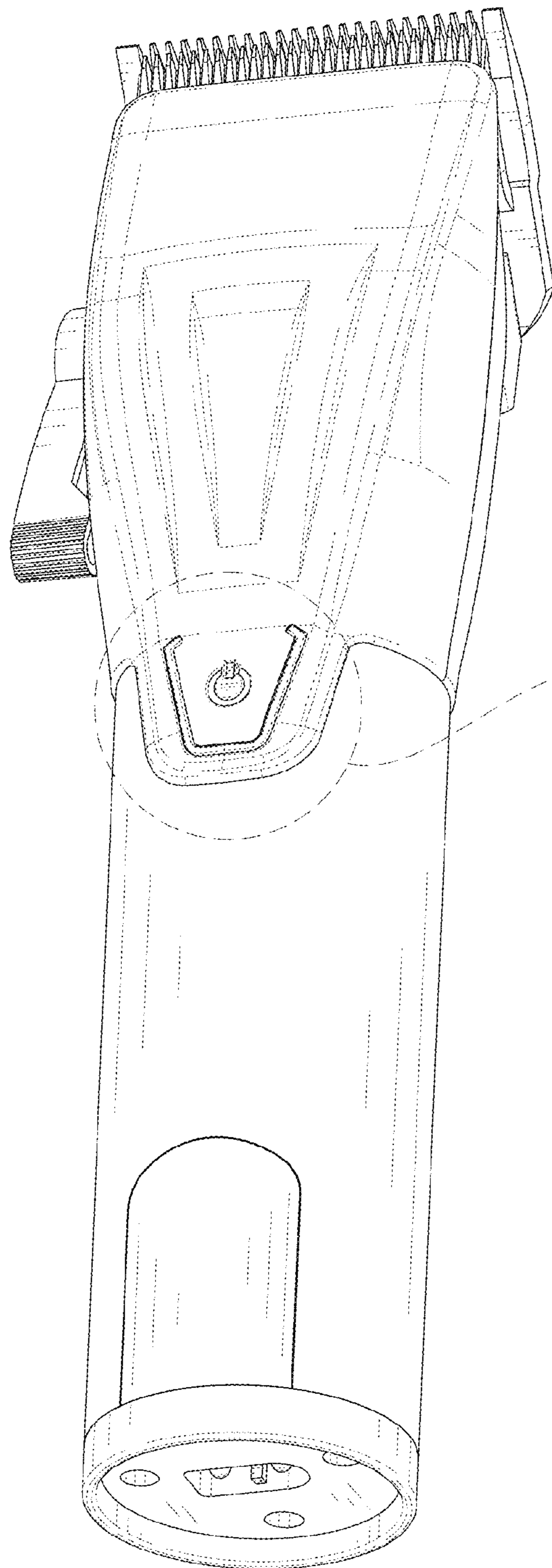
The ornamental design for a hair clipper, as shown and described.

**DESCRIPTION**

FIG. 1 is a perspective view of a hair clipper showing my new design;  
FIG. 2 is the second perspective view thereof;  
FIG. 3 is the third perspective view thereof;  
FIG. 4 is a front elevational view thereof;  
FIG. 5 is a rear elevational view thereof;  
FIG. 6 is a left elevational view thereof;  
FIG. 7 is a right side view thereof;  
FIG. 8 is a top side view thereof;  
FIG. 9 is a bottom plan view thereof; and,  
FIG. 10 is a partial enlarged view of FIG. 1.  
The broken lines illustrate portions of the hair trimmer and illustrate the boundaries of the enlarged partial view. None of the broken lines form part of the claimed design.

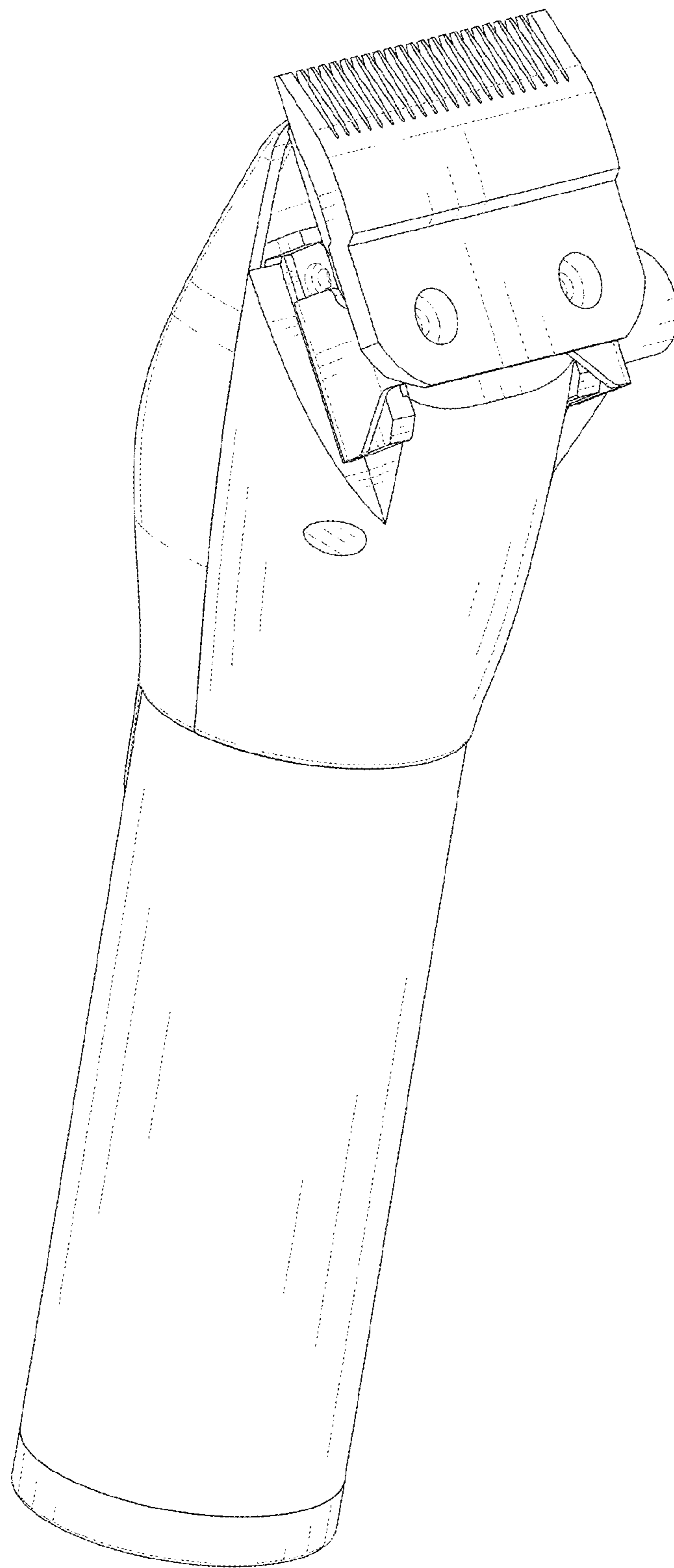
**1 Claim, 9 Drawing Sheets**



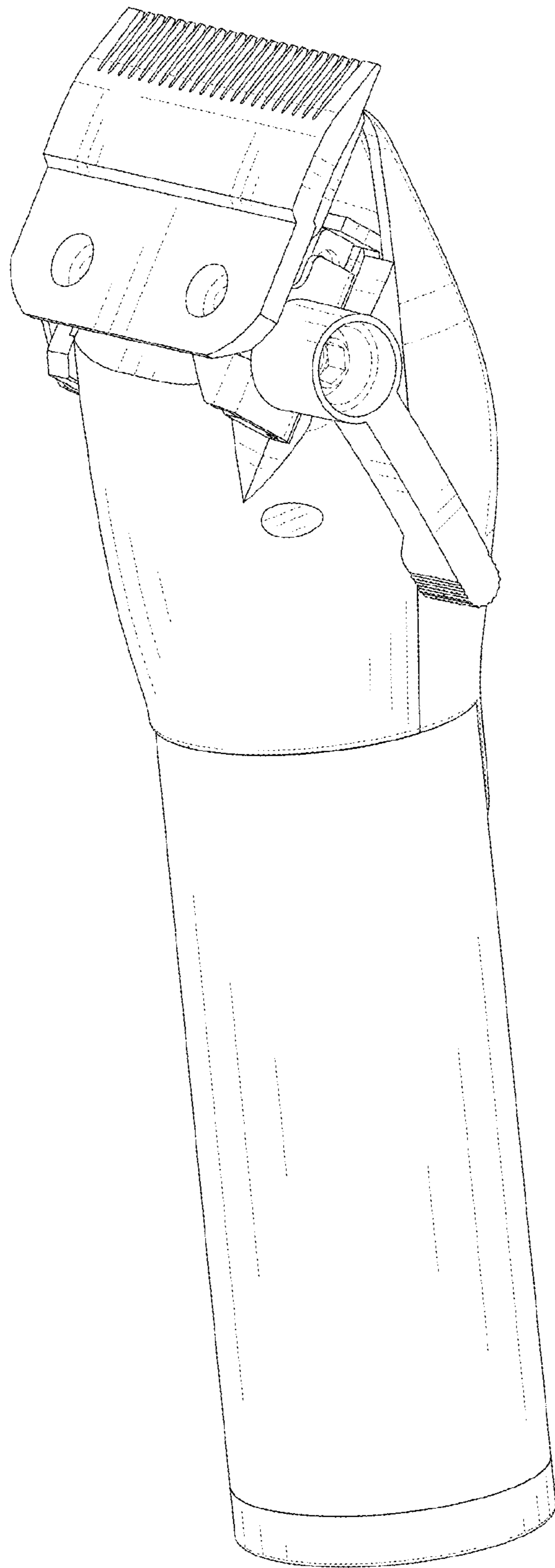


*FIG. 10*

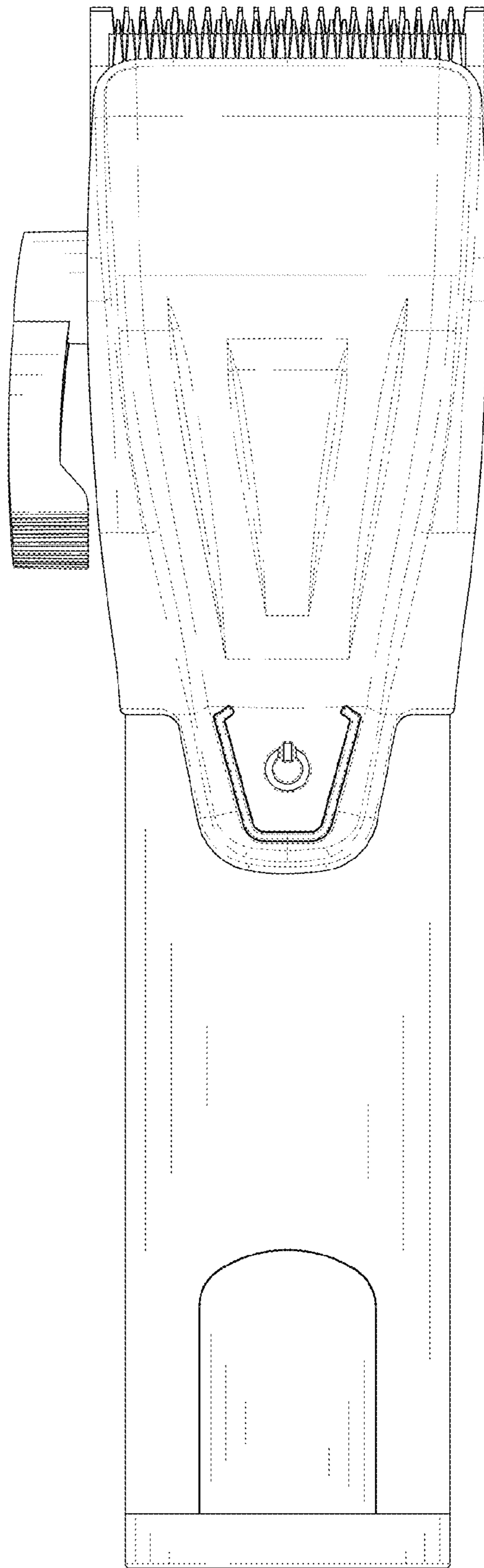
*FIG. 1*



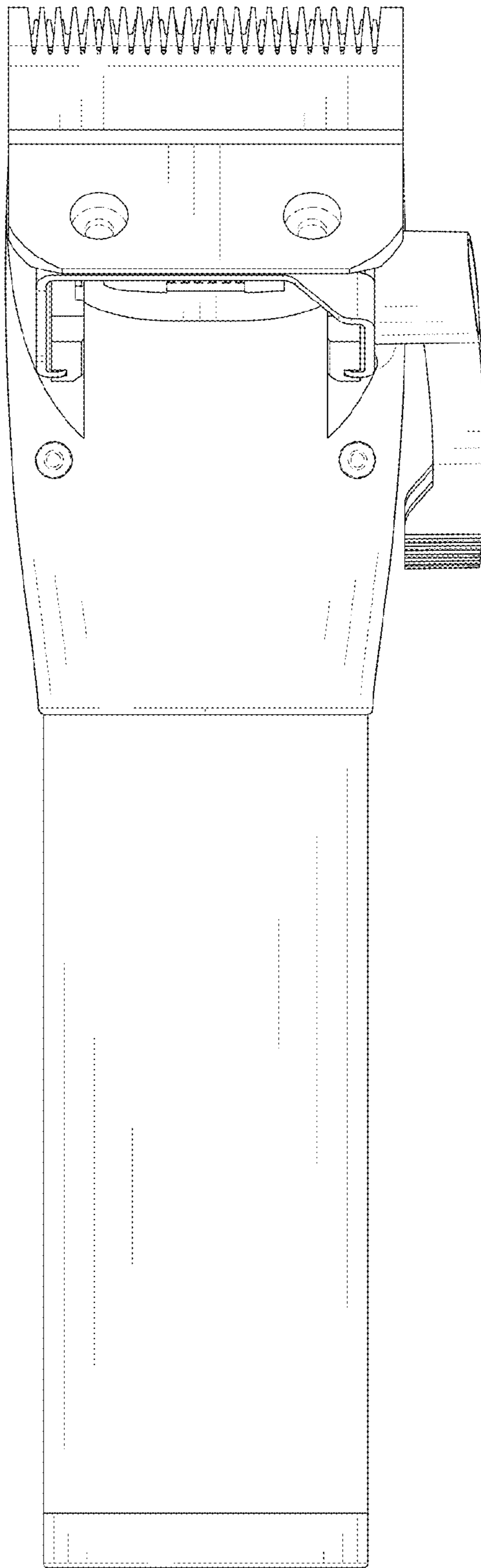
**FIG. 2**



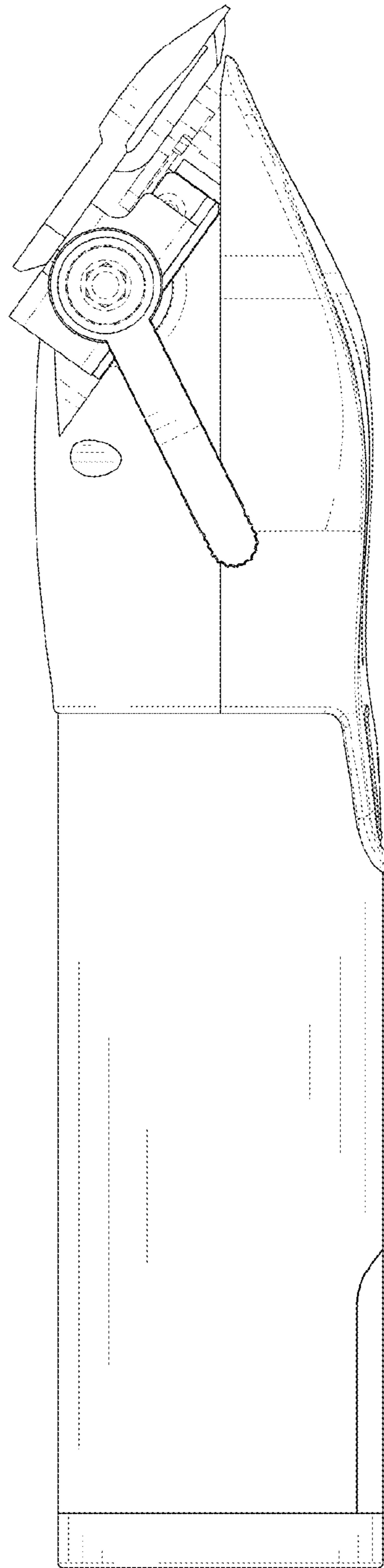
**FIG. 3**



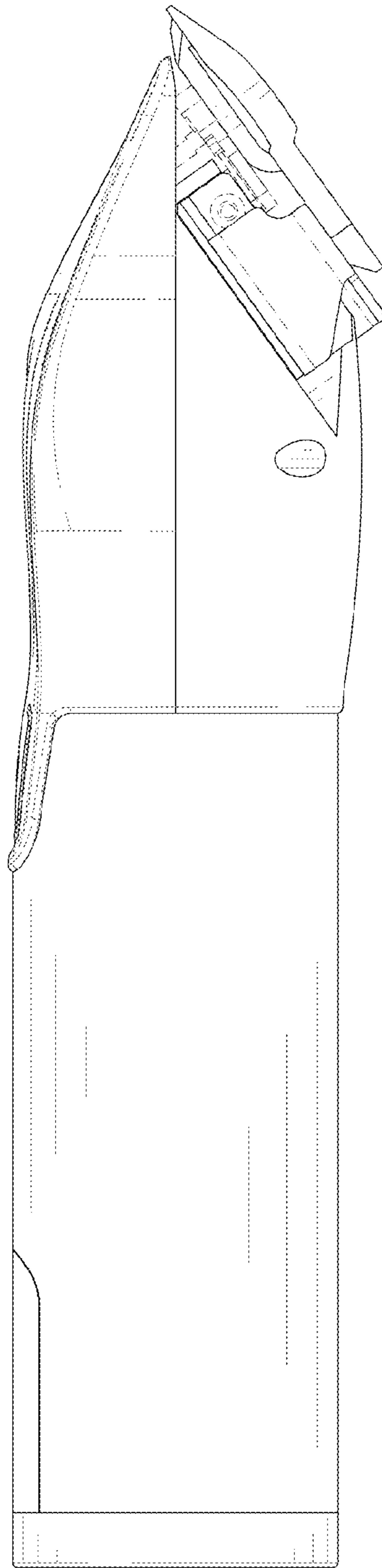
**FIG. 4**



**FIG. 5**

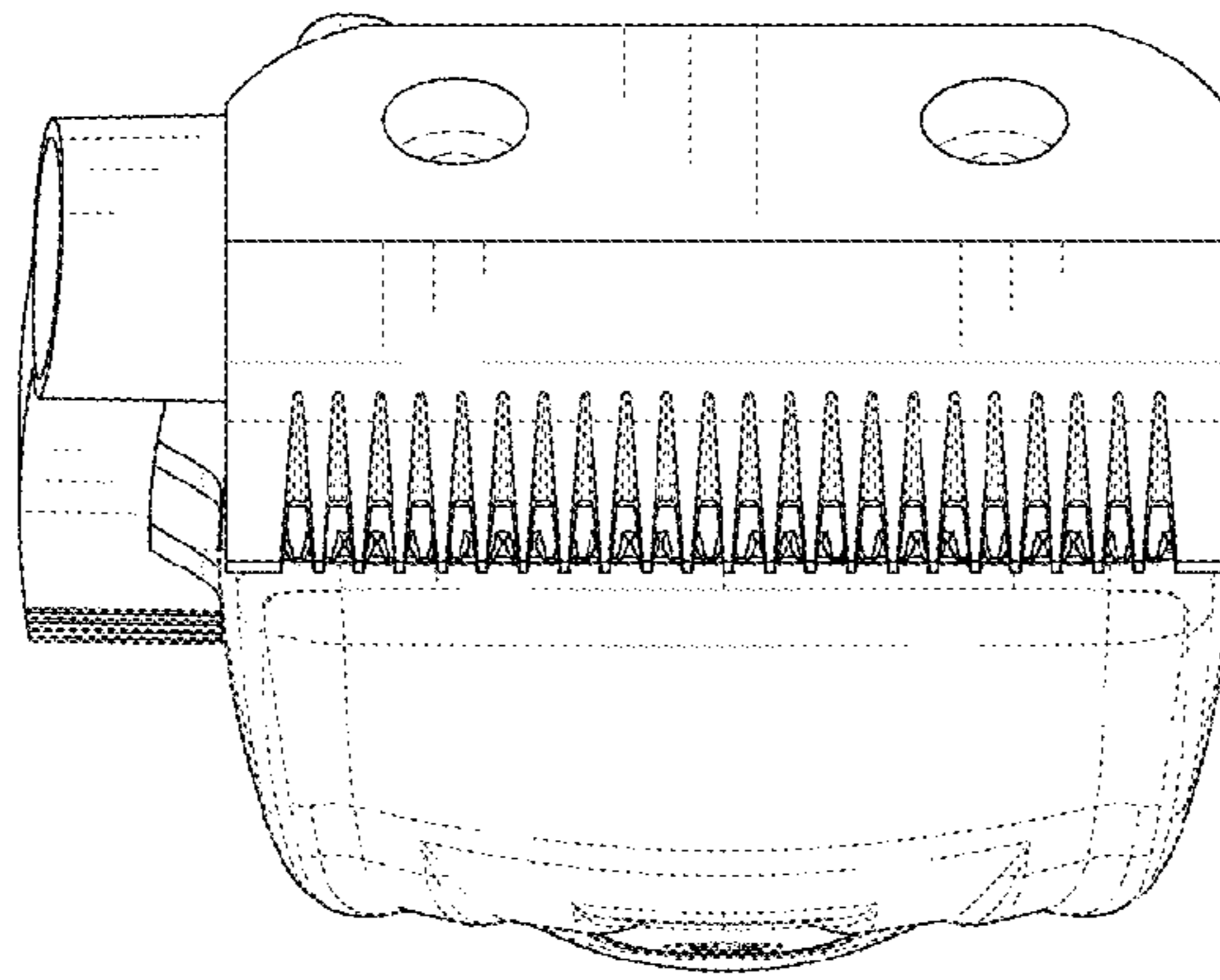


**FIG. 6**

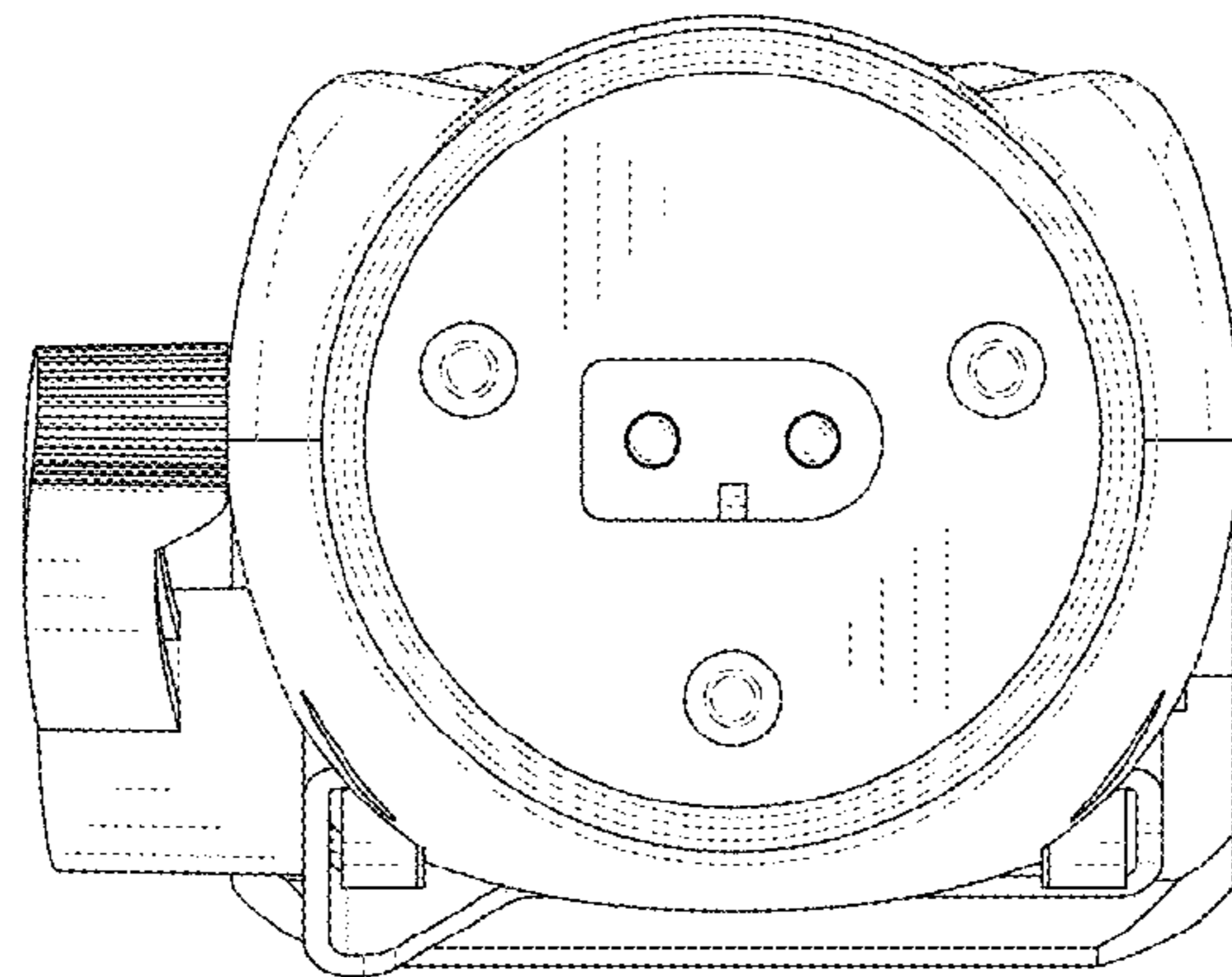


**FIG. 7**

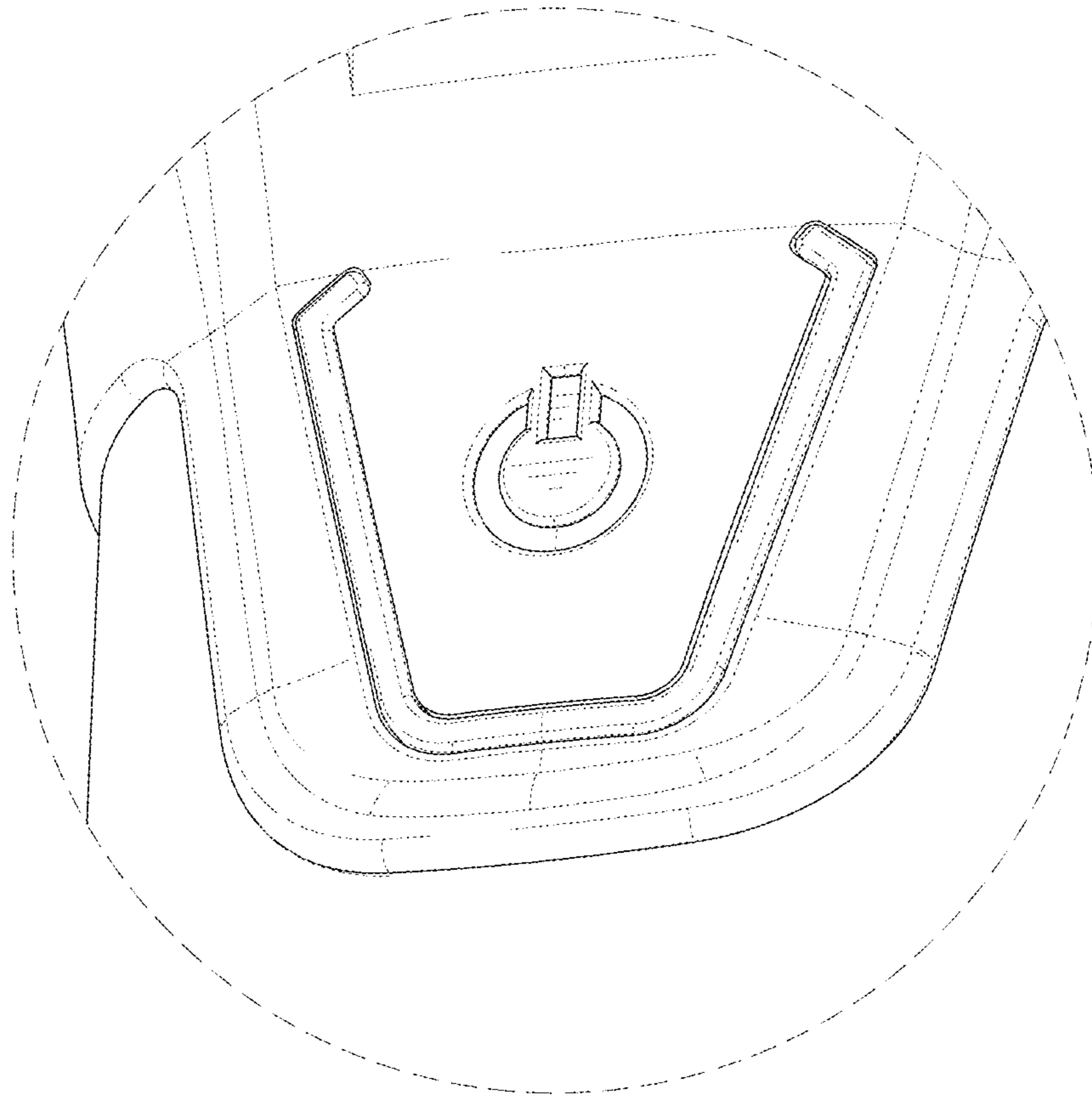




**FIG. 8**



**FIG. 9**



**FIG. 10**