



US00D972778S

(12) **United States Design Patent** (10) **Patent No.:** **US D972,778 S**
Li et al. (45) **Date of Patent:** **** Dec. 13, 2022**

(54) **ELECTRIC CLIPPER**

FOREIGN PATENT DOCUMENTS

(71) Applicants: **Yan Li**, Shenzhen (CN); **Weijian Yuan**, Shenzhen (CN)

GB 6153098 * 8/2021

(72) Inventors: **Yan Li**, Shenzhen (CN); **Weijian Yuan**, Shenzhen (CN)

OTHER PUBLICATIONS

(73) Assignee: **SHENZHEN QIANHAI JUNLIAN NETWORK TECHNOLOGY CO., LTD.**, ShenZhen (CN)

Philips Multigroom Series 7000 Trimmer, available since Dec. 22, 2018 on amazon.co.uk, retrieved from: https://www.amazon.co.uk/Philips-MG7770-Grooming-Kit-Waterproof/dp/B0743KVCJD/ref=sr_1_6?crd=1RC130O6Z9Z9EQ&keywords=philips%2Bmg800&qid=1659456529&sprefix=phillips%2Bmg800%2Caps%2C228&sr=8-6&th=1.*

(**) Term: **15 Years**

Philips 9-in-1 All-in-One Trimmer Series 3000, available since Apr. 26, 2018 on amazon.co.uk, retrieved from: https://www.amazon.co.uk/dp/B07BHYG58V/ref=emc_b_5_i?th=1.*

(21) Appl. No.: **29/802,943**

(22) Filed: **Aug. 9, 2021**

* cited by examiner

(51) **LOC (13) Cl.** **28-03**

Primary Examiner — Alison M Ofstun

(52) **U.S. Cl.**
USPC **D28/53**

(74) *Attorney, Agent, or Firm* — Justin Lampel

(58) **Field of Classification Search**
USPC D28/49–54; D30/158–159
CPC B26B 19/00; B26B 19/02; B26B 19/04;
B26B 19/06; B26B 19/10; B26B 19/20;
B26B 19/30; B26B 19/3873
See application file for complete search history.

(57) **CLAIM**

The ornamental design for an electric clipper, as shown and described.

(56) **References Cited**

DESCRIPTION

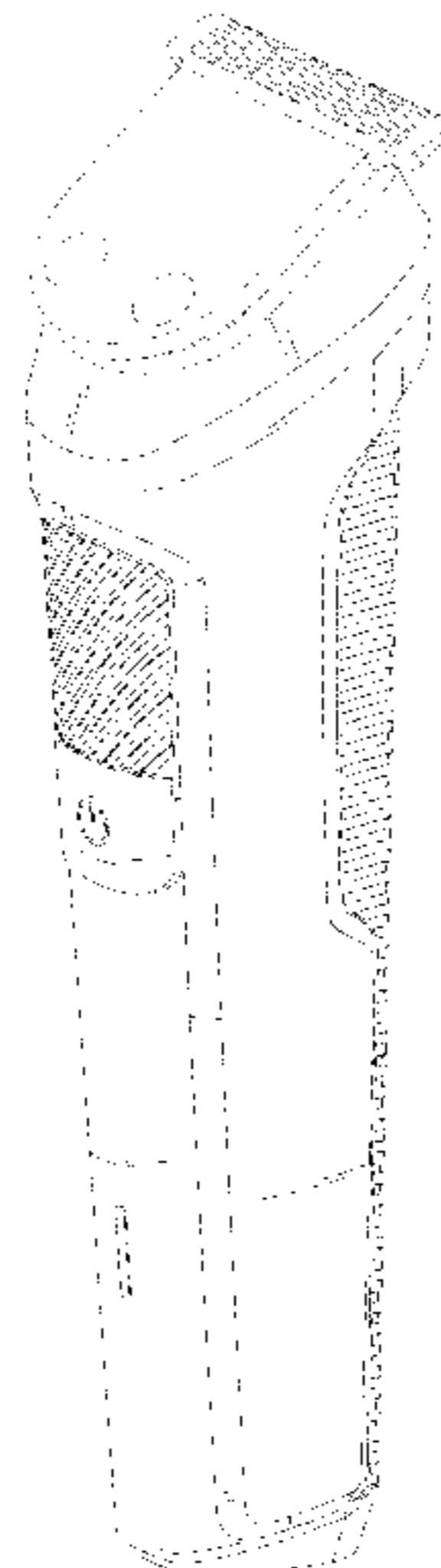
U.S. PATENT DOCUMENTS

D302,743 S *	8/1989	Wahl	D28/53
D353,022 S *	11/1994	Simonelli	D28/54
D436,229 S	1/2001	Eguchi		
D522,694 S *	6/2006	Shin	D28/53
D681,276 S *	4/2013	Colle	D28/53
D721,205 S *	1/2015	Colle	D28/53
D760,437 S *	6/2016	Emminger	D28/53
D844,244 S *	3/2019	Wu	D28/53
D853,646 S *	7/2019	Boulanger	D28/53
D853,647 S *	7/2019	Boulanger	D28/53
D853,648 S *	7/2019	Boulanger	D28/53
D867,663 S *	11/2019	Boulanger	D28/53
D930,244 S *	9/2021	Cai	D28/73
2013/0192068 A1 *	8/2013	Kammer	B65D 75/36 206/356
2021/0008738 A1 *	1/2021	Sterzi	B26B 19/04

FIG. 1 is a perspective view of an electric clipper showing the claimed design;
FIG. 2 is a top plan view thereof;
FIG. 3 is a left side view thereof;
FIG. 4 is a front elevational view thereof;
FIG. 5 is a right side view thereof;
FIG. 6 is a rear elevational view thereof;
FIG. 7 is a bottom plan view thereof; and,
FIG. 8 is an enlarged view of the encircled portion of FIG. 7.

The broken lines shown in the drawings depict portions of the electric clipper that form no part of the claimed design.

1 Claim, 8 Drawing Sheets



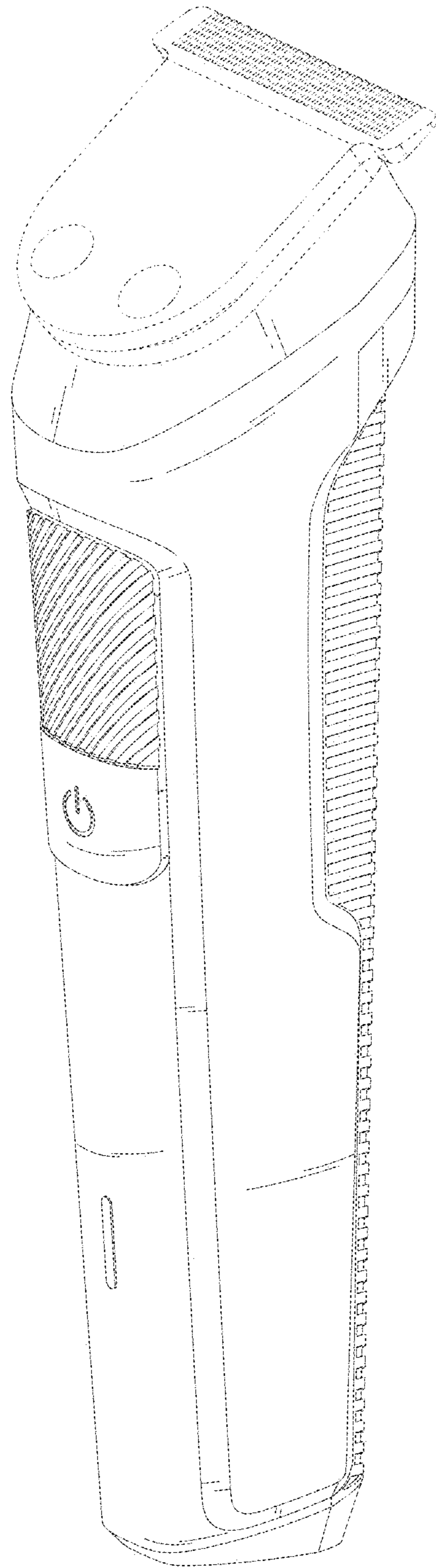


FIG.1

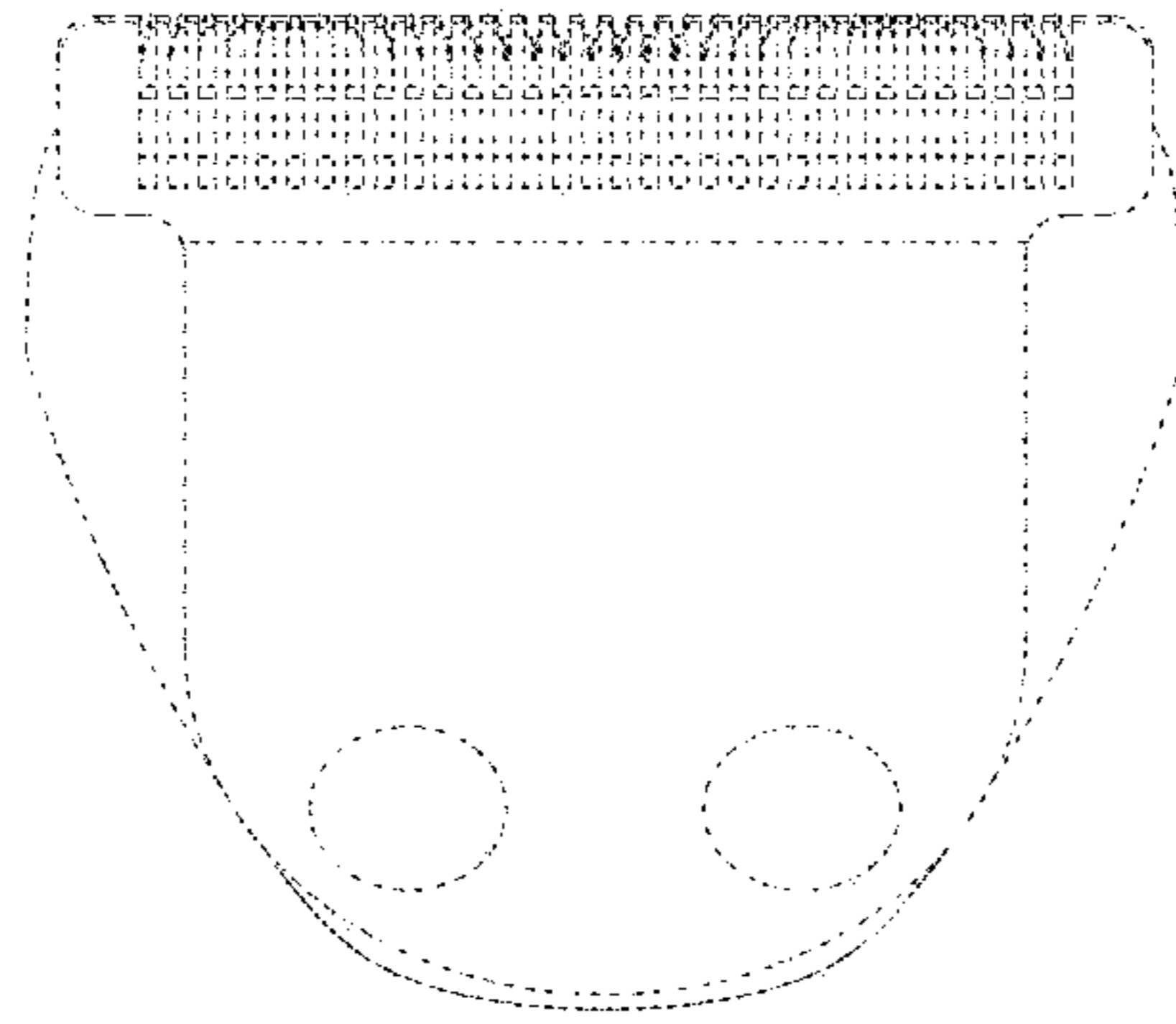


FIG. 2

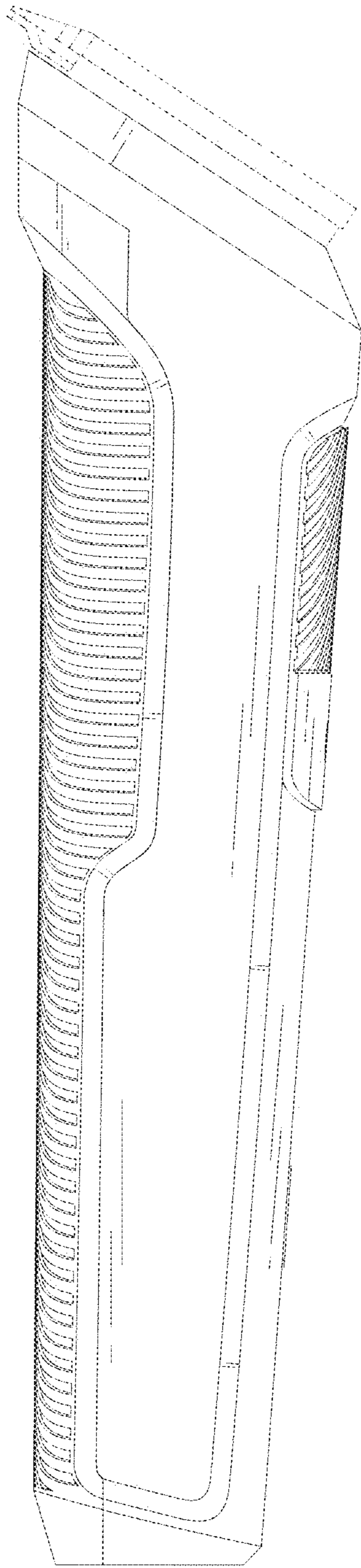


FIG. 3

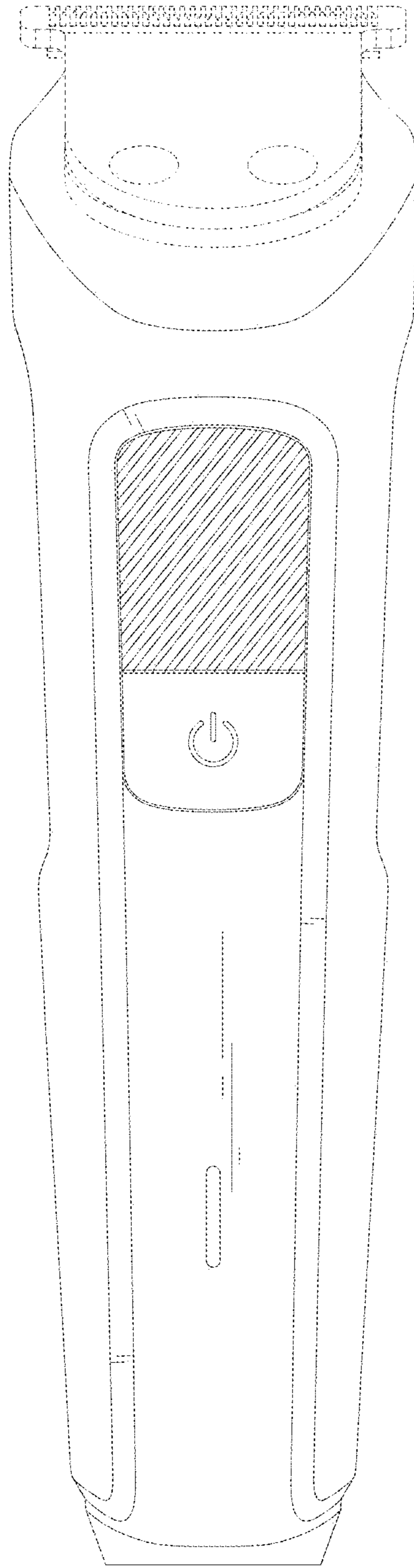


FIG.4

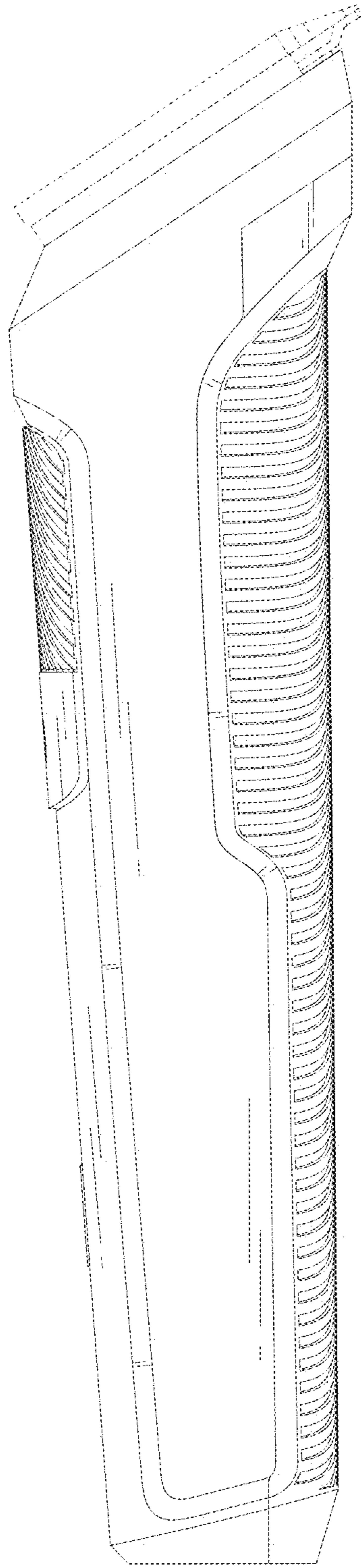


FIG. 5

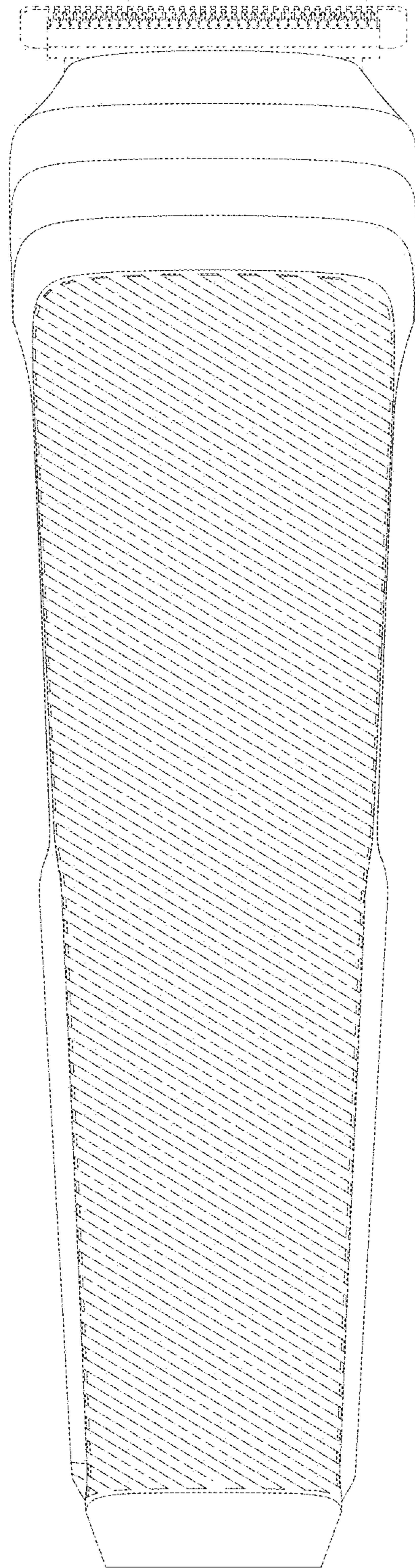


FIG. 6

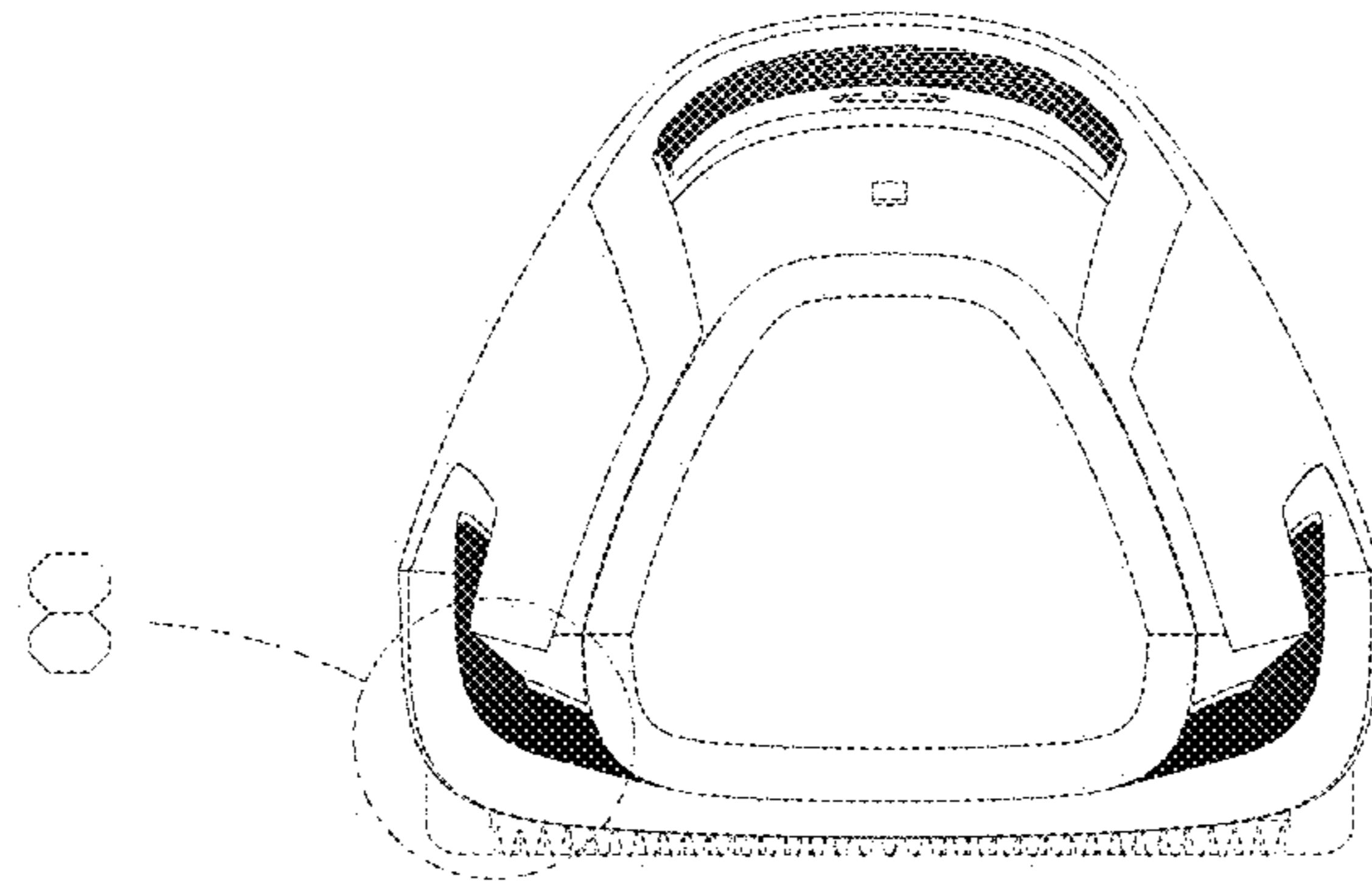


FIG. 7

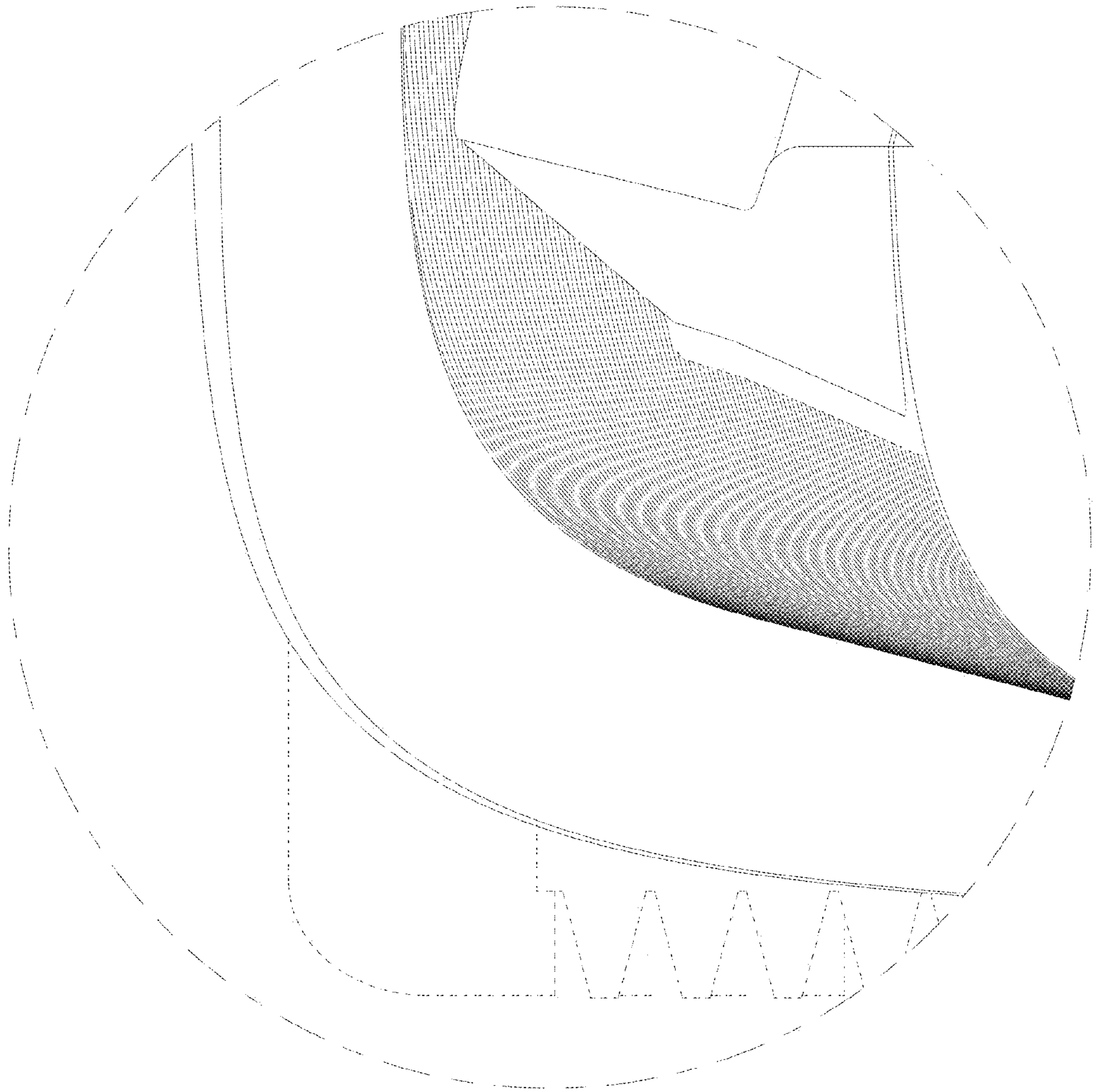


FIG.8