



US00D972777S

(12) **United States Design Patent** (10) **Patent No.:** **US D972,777 S**
Zachrich et al. (45) **Date of Patent:** **** Dec. 13, 2022**

(54) **HAIR TRIMMER**
(71) Applicant: **WAHL CLIPPER CORPORATION**,
Sterling, IL (US)
(72) Inventors: **Christian Zachrich**, Stockholm (SE);
Connor Brandt, Rochelle, IL (US);
Chad Aulwes, Sterling, IL (US)
(73) Assignee: **WAHL CLIPPER CORPORATION**,
Sterling, IL (US)
(**) Term: **15 Years**
(21) Appl. No.: **29/753,201**
(22) Filed: **Sep. 30, 2020**
(51) **LOC (13) Cl.** **28-03**
(52) **U.S. Cl.**
USPC **D28/53**
(58) **Field of Classification Search**
USPC D28/45-54; D30/158
CPC B26B 19/00; B26B 19/02; B26B 19/04;
B26B 19/06; B26B 19/10; B26B 19/30;
B26B 19/38; B26B 19/3853; B26B
19/3873
See application file for complete search history.

(56) **References Cited**
U.S. PATENT DOCUMENTS
D541,988 S 5/2007 Li et al.
D555,286 S 11/2007 Long
D555,287 S 11/2007 Long et al.
D556,380 S 11/2007 Long
D586,955 S * 2/2009 Eigenstetter D28/73
D623,311 S 9/2010 Aulwes et al.
D652,170 S 1/2012 Snow et al.
D749,786 S * 2/2016 Werner D28/53

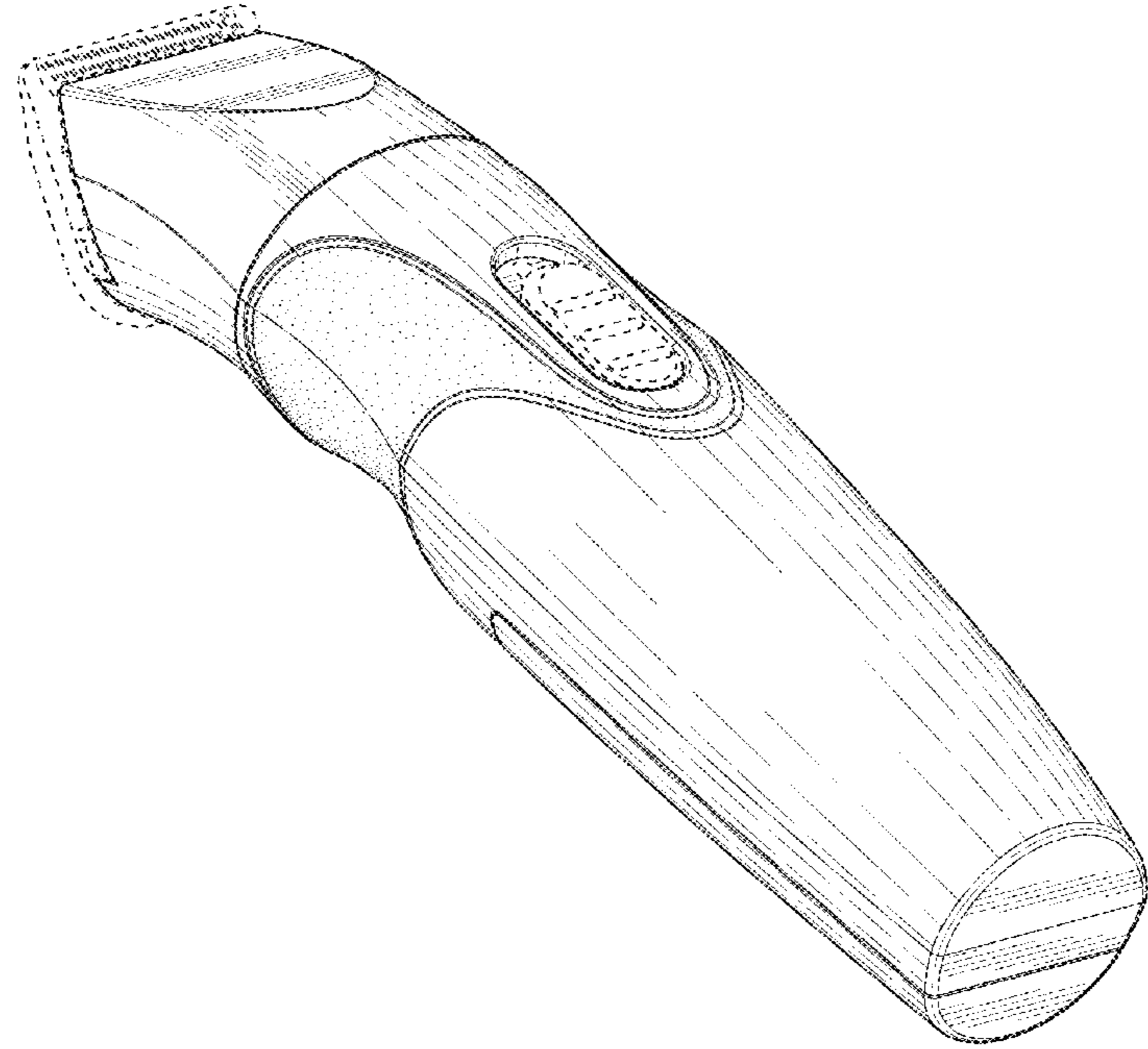
D751,759 S 3/2016 Aulwes et al.
D759,308 S * 6/2016 Reuter D28/53
D809,206 S * 1/2018 Boulanger D28/53
D814,703 S 4/2018 Aulwes et al.
D849,326 S 5/2019 Fleming et al.
D851,834 S * 6/2019 Peterson, Jr. D28/53
D866,072 S * 11/2019 Chen D28/53
D866,859 S * 11/2019 Chen D28/53
D880,067 S * 3/2020 Hu D28/53
D917,797 S * 4/2021 Fancelli D28/52
D930,245 S * 9/2021 de Belizal D28/53
D944,453 S * 2/2022 Ernotte D28/53
2011/0289777 A1 * 12/2011 Quan B26B 19/06
30/43.92
2016/0075039 A1 * 3/2016 Werner B26B 19/063
30/200
2019/0232509 A1 * 8/2019 Werner B26B 19/3846

* cited by examiner
Primary Examiner — Alison M Ofstun
(74) *Attorney, Agent, or Firm* — Greer, Burns & Crain,
Ltd

(57) **CLAIM**
The ornamental design for a hair trimmer, as shown and
described.

DESCRIPTION
FIG. 1 is a top perspective view of a hair trimmer;
FIG. 2 is a left side view thereof;
FIG. 3 is a right side view thereof;
FIG. 4 is a front view thereof;
FIG. 5 is a rear view thereof;
FIG. 6 is a top plan view thereof; and,
FIG. 7 is a bottom plan view thereof.
In the drawings, the broken lines illustrate portions of the
hair trimmer and form no part of the claimed design.

1 Claim, 4 Drawing Sheets



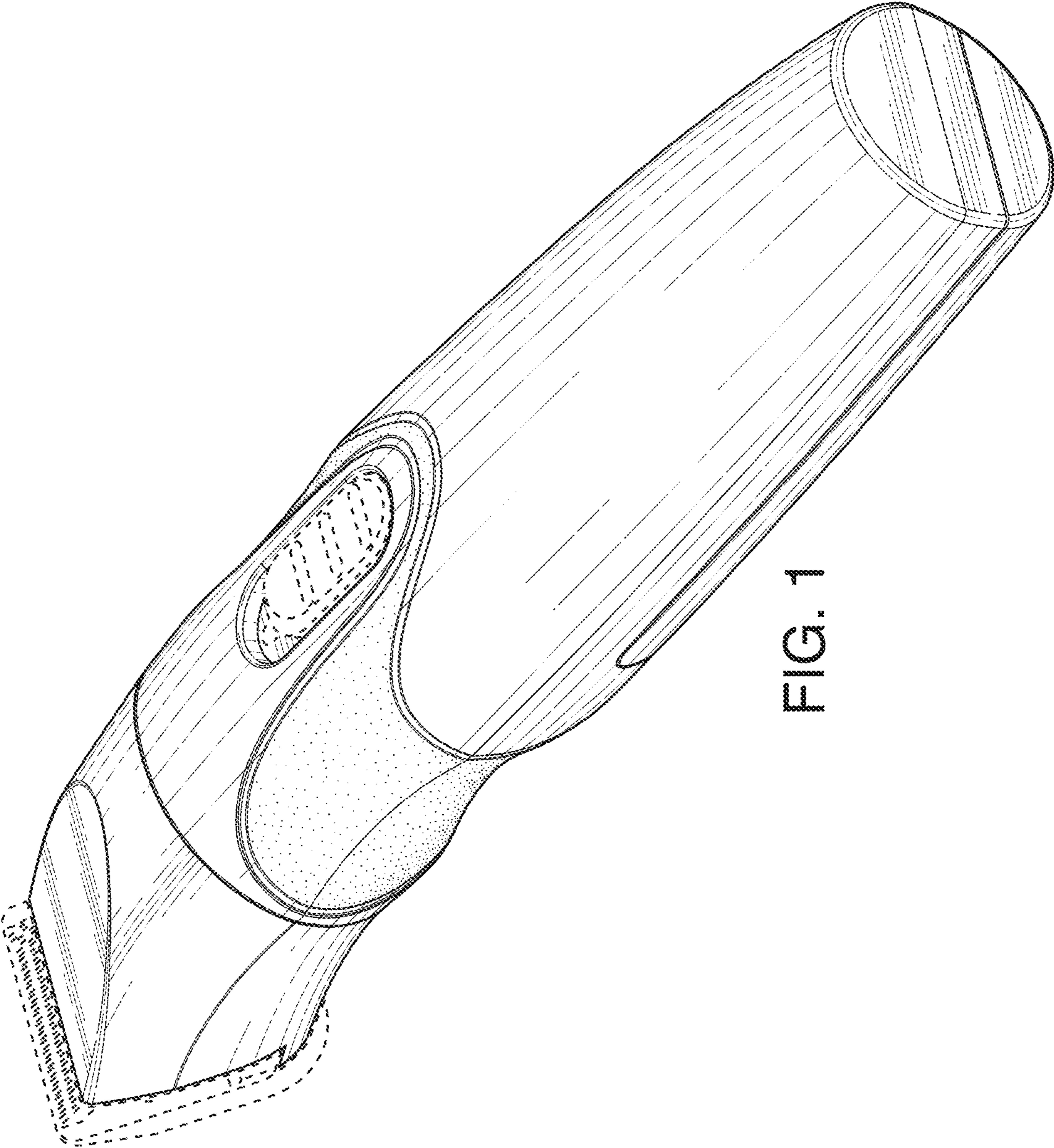


FIG. 1

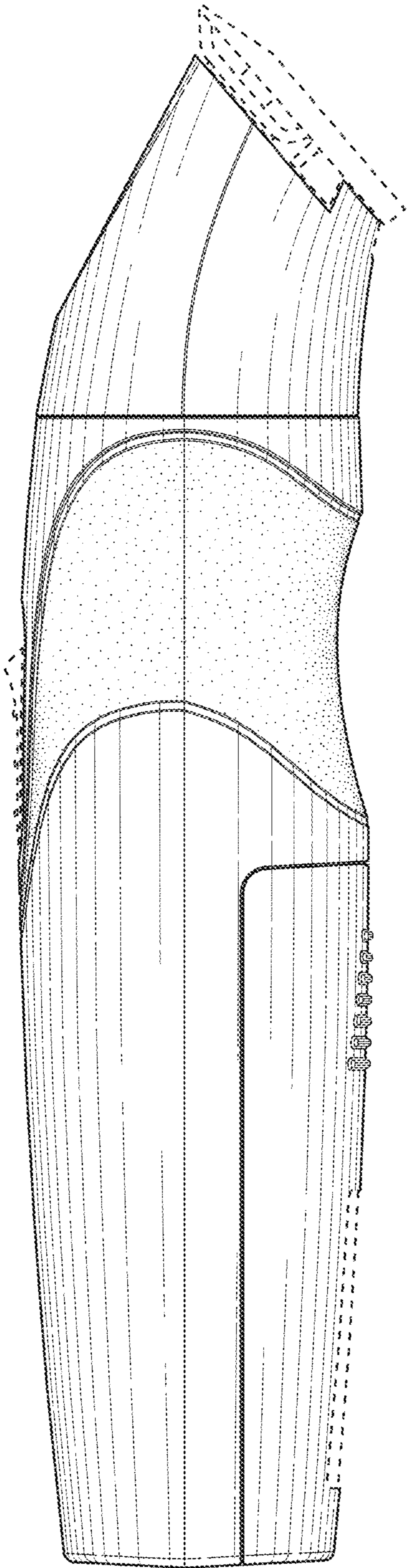


FIG. 2

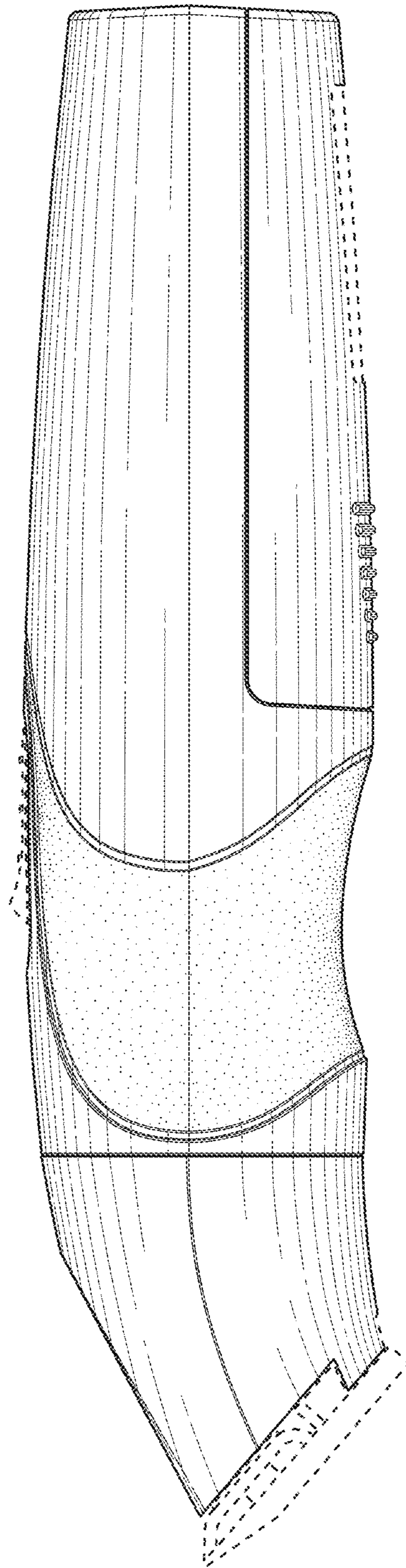


FIG. 3

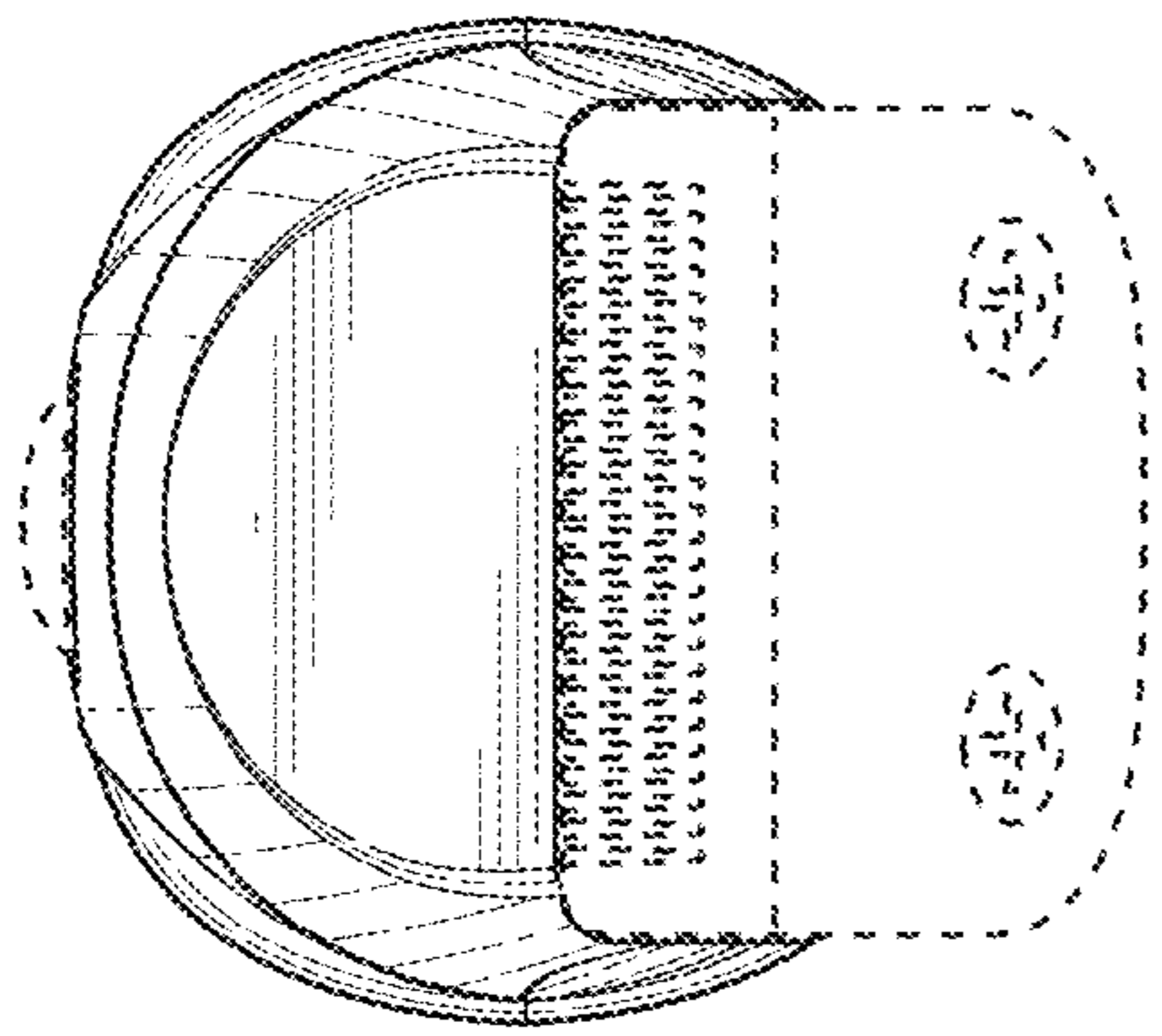


FIG. 4

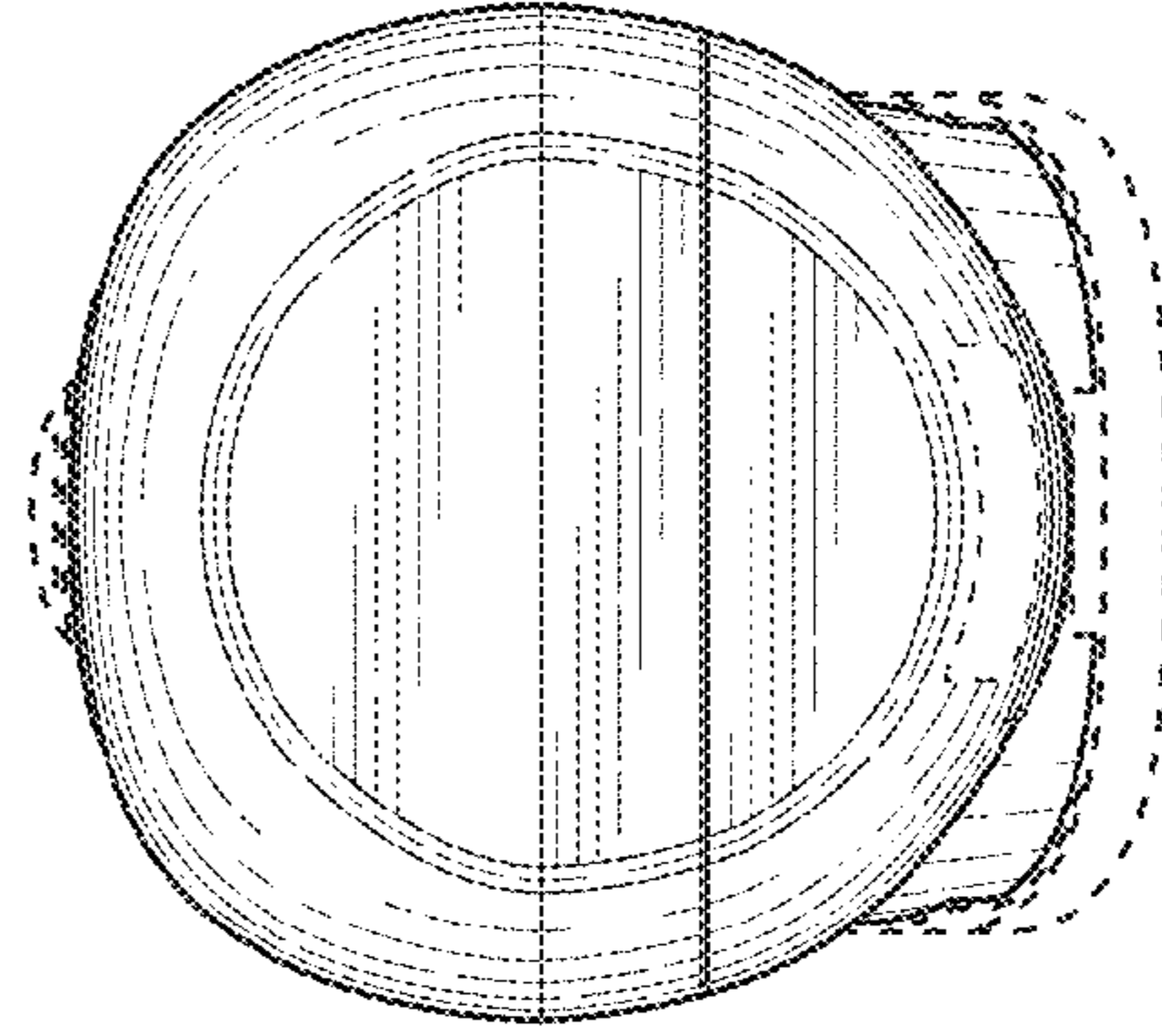


FIG. 5

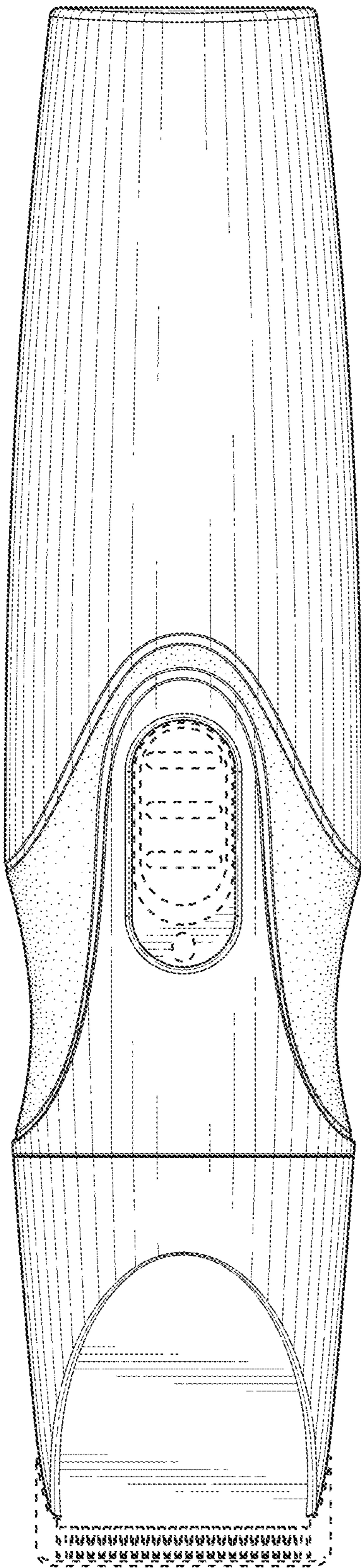


FIG. 6

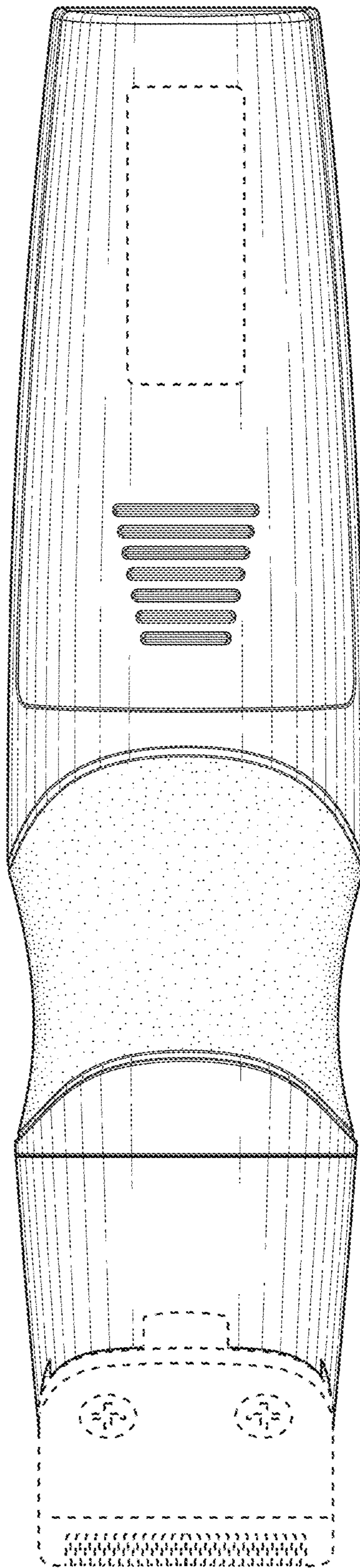


FIG. 7