



US00D972776S

(12) **United States Design Patent** (10) **Patent No.:** **US D972,776 S**
Lin (45) **Date of Patent:** **** Dec. 13, 2022**

(54) **RAZOR HEAD**
(71) Applicant: **Foshan Yingjili Electrical Equipment Co., Ltd., Guangdong (CN)**

(72) Inventor: **Zhenrong Lin, Guangdong (CN)**

(**) Term: **15 Years**

(21) Appl. No.: **29/776,822**

(22) Filed: **Apr. 1, 2021**

(30) **Foreign Application Priority Data**

Dec. 25, 2020 (CN) 202030804383.4

(51) **LOC (13) Cl.** **28-03**

(52) **U.S. Cl.**
USPC **D28/47**

(58) **Field of Classification Search**
USPC D28/46-48
CPC B26B 21/00; B26B 21/08; B26B 21/22;
B26B 21/40; B26B 21/4012; B26B
21/4018; B26B 21/4025; B26B 21/4037;
B26B 21/4068; B26B 21/4075
See application file for complete search history.

(56) **References Cited**

U.S. PATENT DOCUMENTS

9,539,734 B1 * 1/2017 Bozikis B26B 21/4012
D816,906 S * 5/2018 Zucker D28/47
D843,059 S * 3/2019 Lettenberger D28/47
D908,285 S * 1/2021 Cataudella D28/47
D921,984 S * 6/2021 Brissett D28/47
11,235,485 B2 * 2/2022 Kallivretaki A61K 8/86

D961,847 S * 8/2022 Walker, Jr. D28/47
D961,849 S * 8/2022 Brissett D28/47
2016/0199991 A1 * 7/2016 Nicholas B26B 21/443
30/538
2016/0279815 A1 * 9/2016 Washington B26B 21/4068
2016/0279816 A1 * 9/2016 Bruno B26B 21/222
2016/0279817 A1 * 9/2016 Washington B26B 21/227
2018/0361604 A1 * 12/2018 Bozikis B26B 21/227
2019/0299457 A1 * 10/2019 Long B26B 21/4012
2020/0368927 A1 * 11/2020 O'Connor B26B 21/222
2021/0016458 A1 * 1/2021 Peterson B26B 21/227
2021/0086379 A1 * 3/2021 Brette B26B 19/388
2021/0146560 A1 * 5/2021 Panagiotopoulou
B26B 21/4056
2021/0192434 A1 * 6/2021 Brette B26B 21/4087
2022/0241995 A1 * 8/2022 Washington B26B 21/4012

* cited by examiner

Primary Examiner — Alison M Ofstun

(74) *Attorney, Agent, or Firm* — Prakash Nama; Global IP Services, PLLC

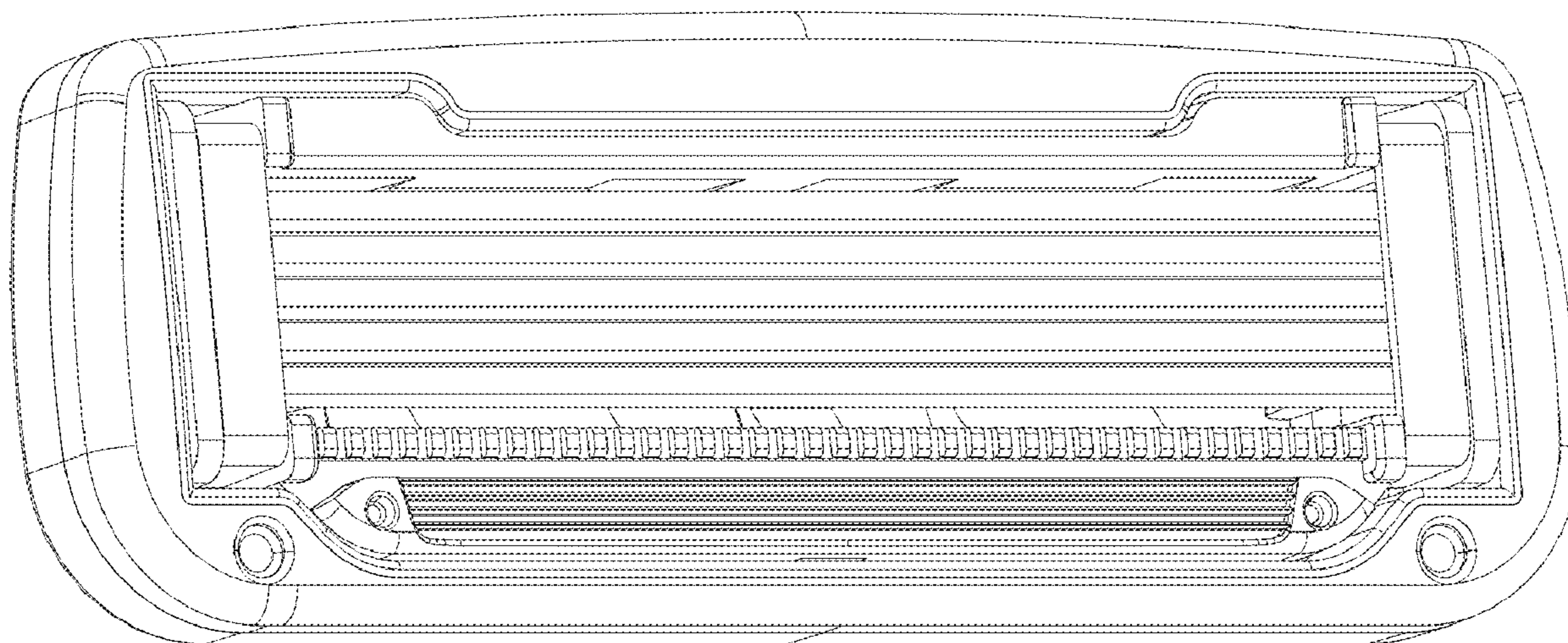
(57) **CLAIM**

The ornamental design for a razor head, as shown.

DESCRIPTION

FIG. 1 is a front elevational view of a razor head showing my new design;
FIG. 2 is a rear elevational view thereof;
FIG. 3 is an enlarged left side view thereof;
FIG. 4 is an enlarged right side view thereof;
FIG. 5 is a top plan view thereof;
FIG. 6 is a bottom plan view thereof;
FIG. 7 is a perspective view thereof; and,
FIG. 8 is another perspective view thereof.

1 Claim, 8 Drawing Sheets



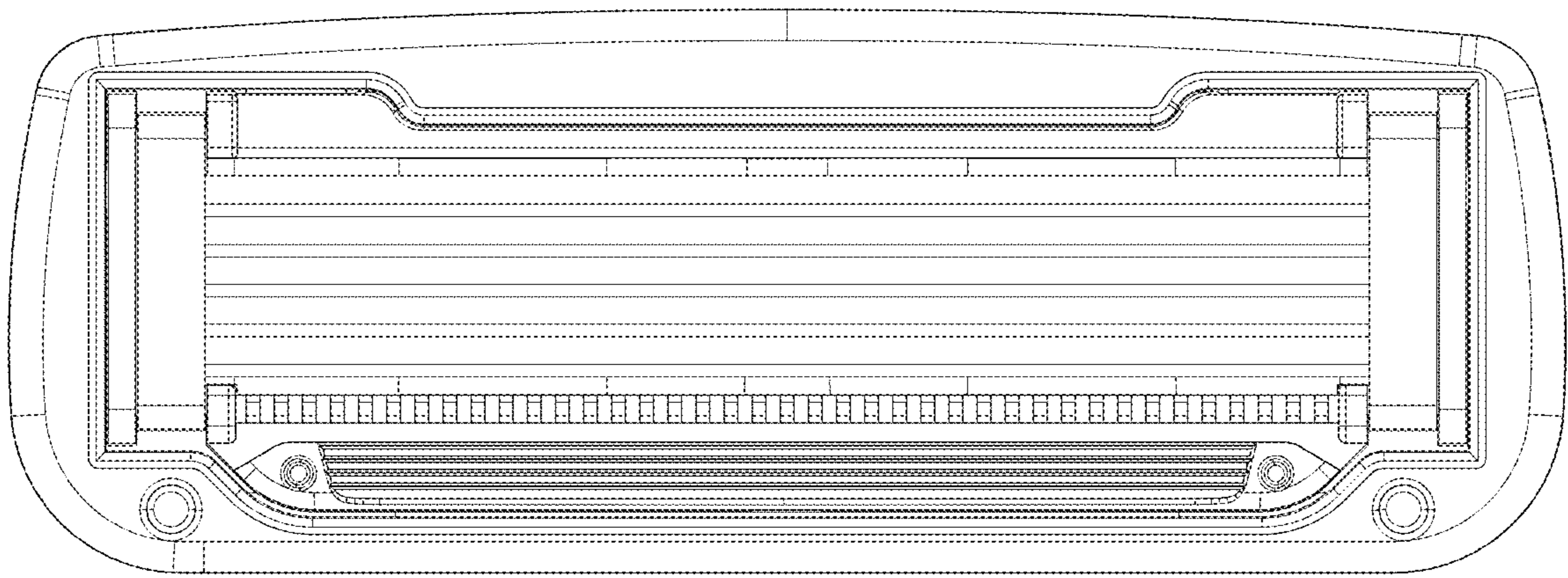


FIG. 1

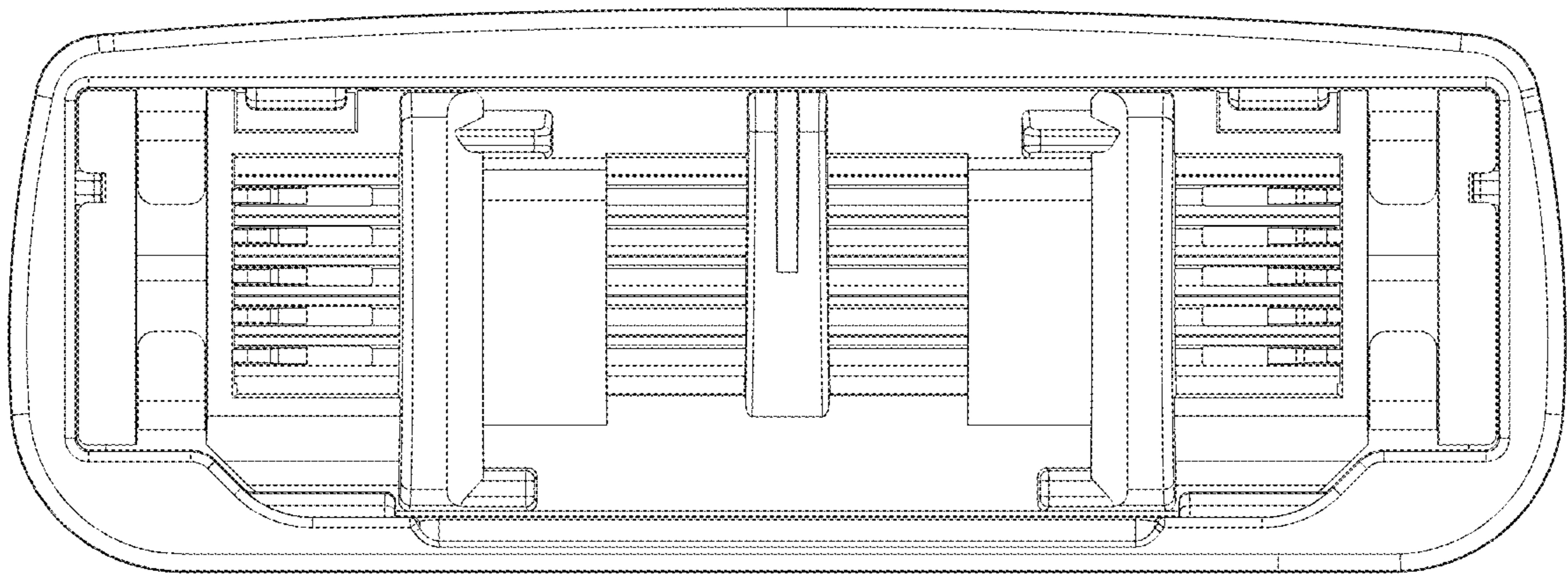


FIG. 2

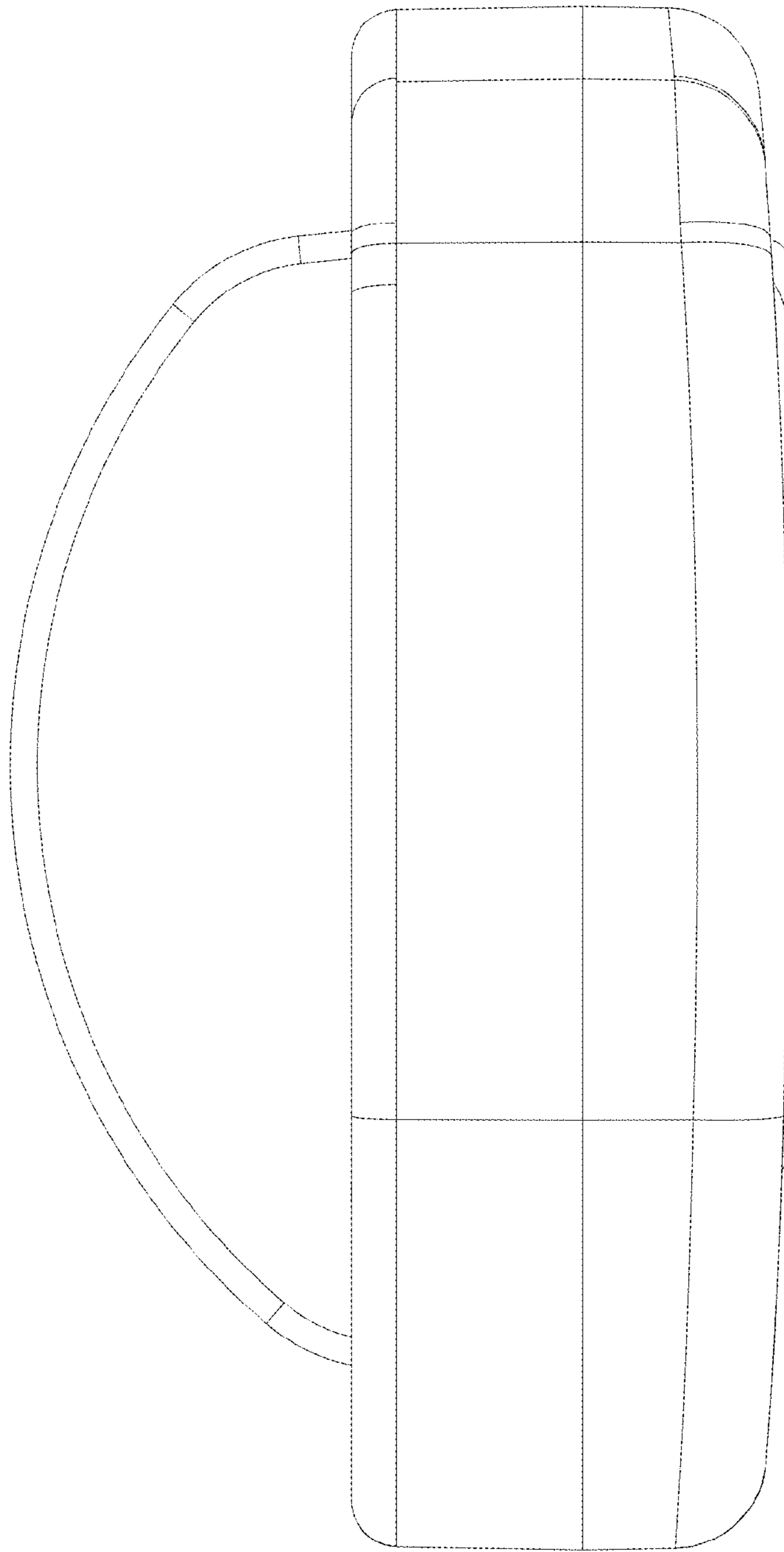


FIG. 3

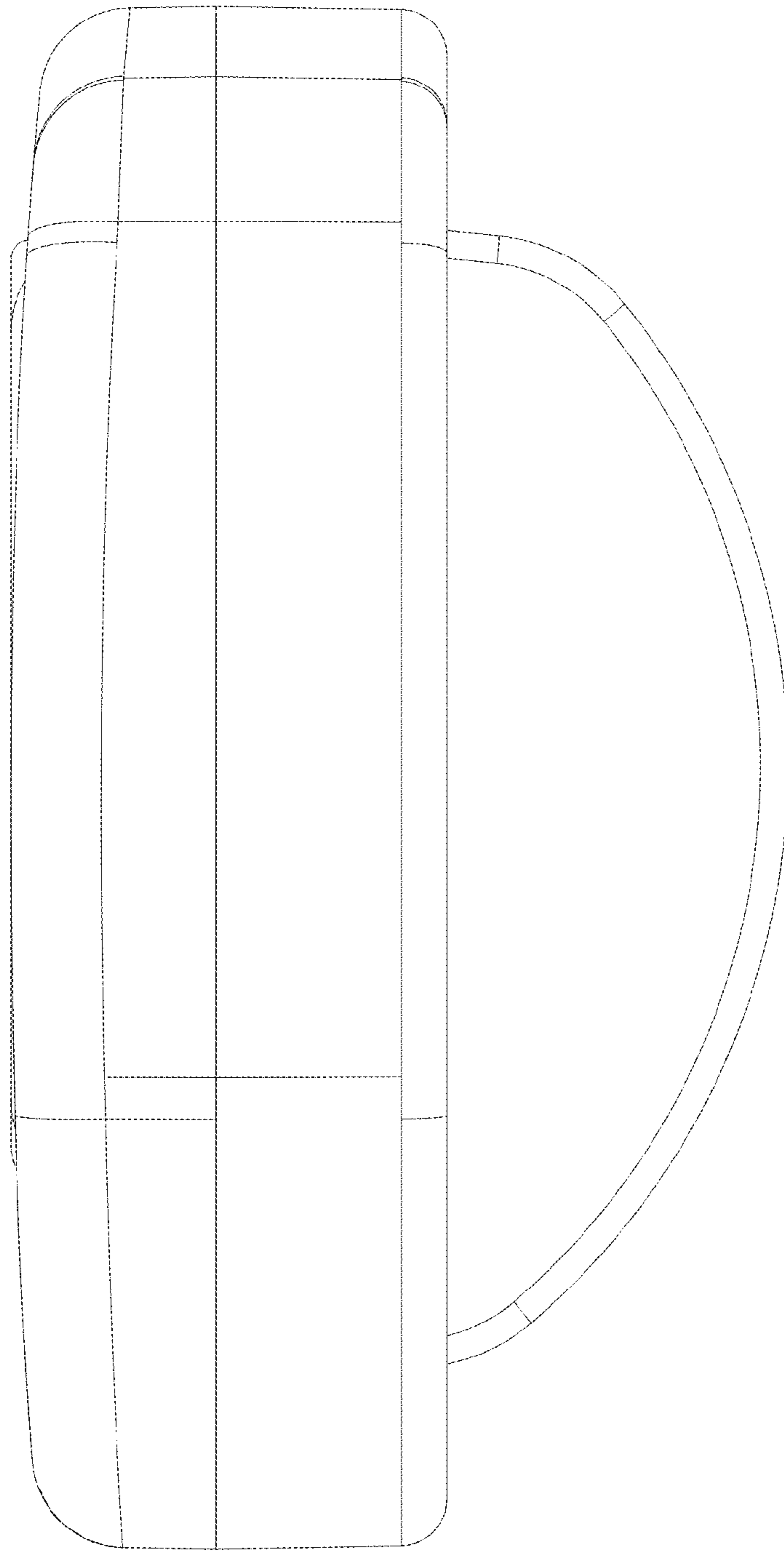


FIG. 4

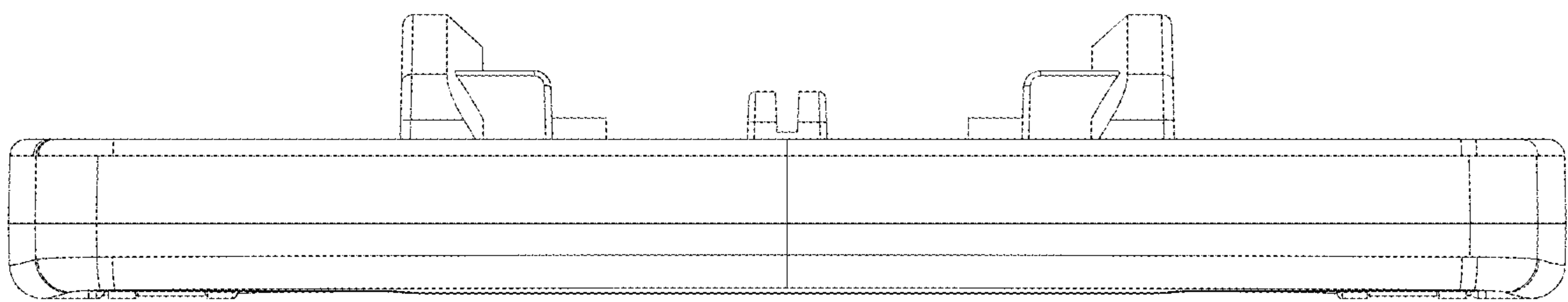


FIG. 5

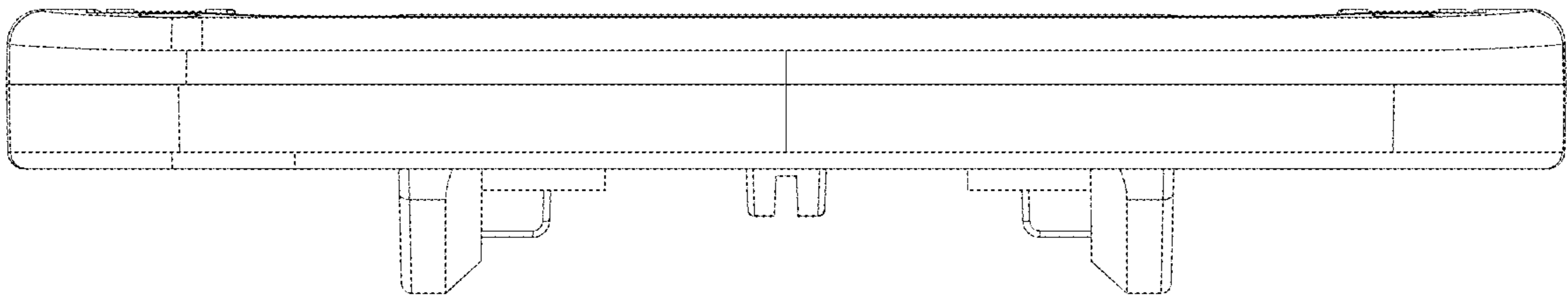


FIG. 6

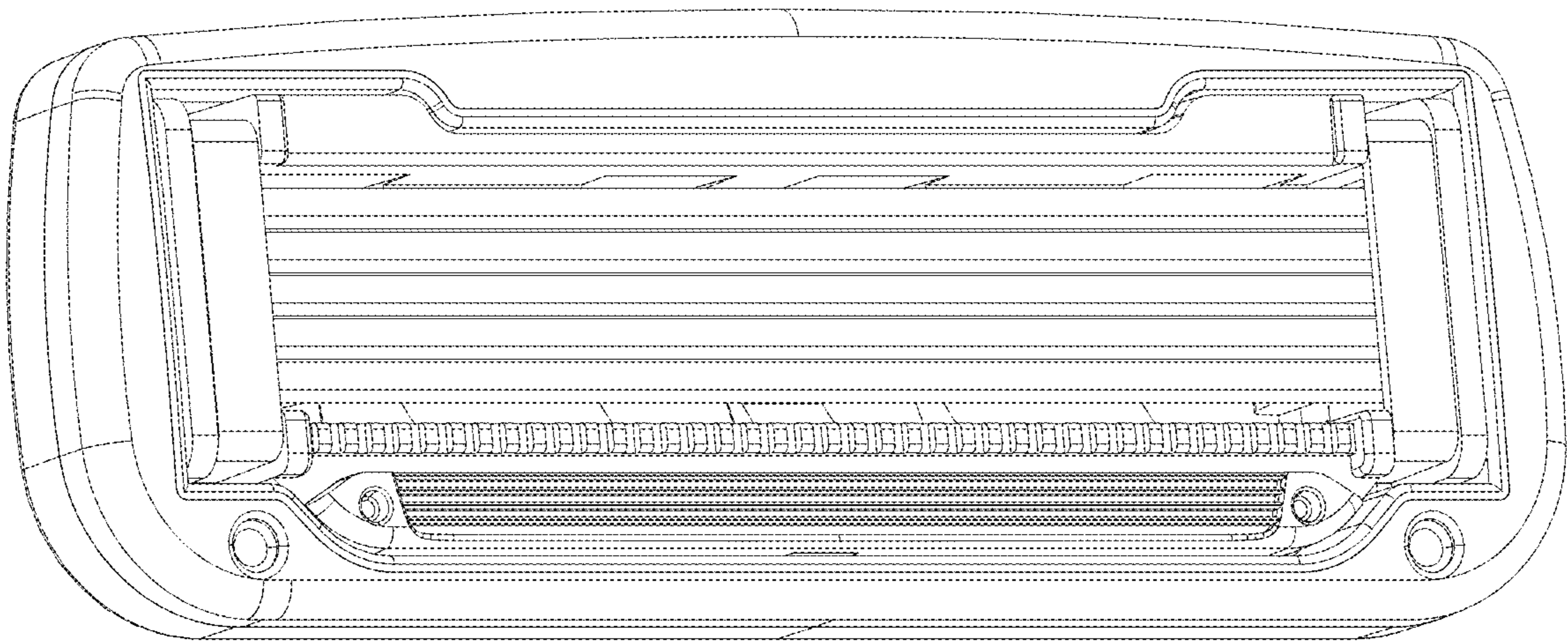


FIG. 7

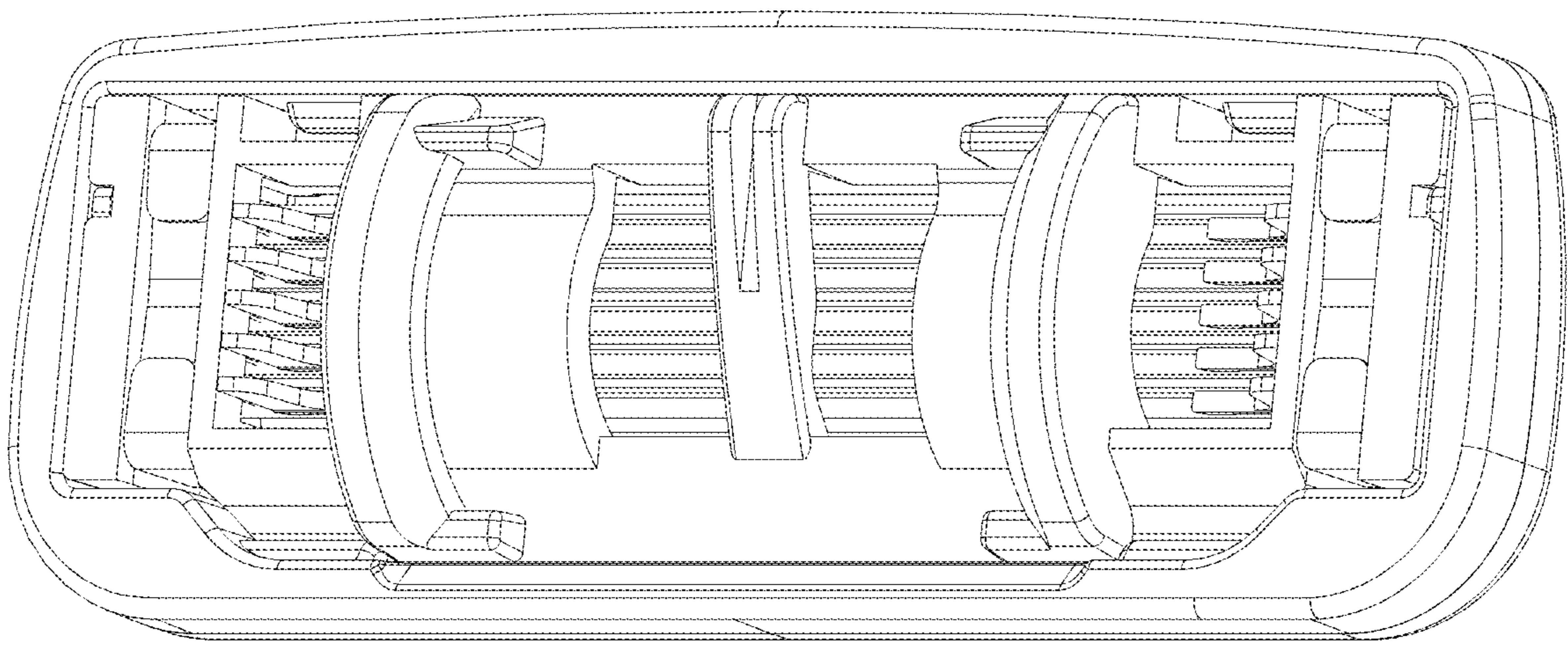


FIG. 8