



US00D972773S

(12) **United States Design Patent** (10) **Patent No.:** **US D972,773 S**
Barody et al. (45) **Date of Patent:** **** Dec. 13, 2022**

- (54) **VAPORIZER POD**
- (71) Applicants: **Coltin Barody**, Lake Elsinore, CA (US); **Alexandria Kometas**, Lake Elsinore, CA (US)
- (72) Inventors: **Coltin Barody**, Lake Elsinore, CA (US); **Alexandria Kometas**, Lake Elsinore, CA (US)
- (**) Term: **15 Years**
- (21) Appl. No.: **29/823,558**
- (22) Filed: **Jan. 18, 2022**
- (51) **LOC (13) Cl.** **27-02**
- (52) **U.S. Cl.**
USPC **D27/162**
- (58) **Field of Classification Search**
USPC D27/162, 100, 101, 163–165, 172, 174, D27/183, 185–194; D24/110, 110.5; D23/360, 366
CPC A24F 47/002; A24F 47/006; A24F 47/008; A61M 15/00; A61M 15/06
See application file for complete search history.

(56) **References Cited**

U.S. PATENT DOCUMENTS

D842,536 S	3/2019	Bowen et al.	
D844,235 S	3/2019	Cividi	
D858,869 S	9/2019	Bowen et al.	
D865,279 S	10/2019	Pino et al.	
D871,669 S	12/2019	Lee	
D875,302 S	* 2/2020	Pan	D27/162
D875,303 S	* 2/2020	Pan	D27/162
D875,305 S	* 2/2020	Lai	D27/167
D876,006 S	2/2020	Qiu et al.	
D881,460 S	* 4/2020	Han	D27/162
D887,632 S	6/2020	Duque et al.	
D889,736 S	* 7/2020	Han	D27/162
D890,417 S	* 7/2020	Austin	D27/162

D891,691 S	* 7/2020	Chen	D27/162
D893,094 S	* 8/2020	Wang	D27/162
D896,436 S	9/2020	Huang et al.	
D898,279 S	* 10/2020	Pierce	D27/162
D902,473 S	11/2020	Li	
D902,480 S	11/2020	Chen et al.	
D904,680 S	* 12/2020	Pan	D27/162
D907,844 S	* 1/2021	Pan	D27/162
D908,279 S	* 1/2021	Li	D27/162
D910,905 S	2/2021	Liu	
D911,600 S	* 2/2021	Chen	D27/162
D914,274 S	3/2021	Vora et al.	
D914,276 S	3/2021	Lai	
D914,277 S	* 3/2021	Han	D27/162
D921,284 S	6/2021	Belisle et al.	
D927,059 S	* 8/2021	Lai	D27/162
D927,060 S	8/2021	Qiu et al.	
D927,772 S	* 8/2021	Han	D27/162

(Continued)

OTHER PUBLICATIONS

Tobacco Ice Pod By: Blu found on line (Jun. 3, 2022) <https://www.blu.com/en/US/blu-liquidpods/blu-tobacco-ice> (2021).*

Primary Examiner — Rebecca Tsehaye
(74) *Attorney, Agent, or Firm* — Kenneth Avila

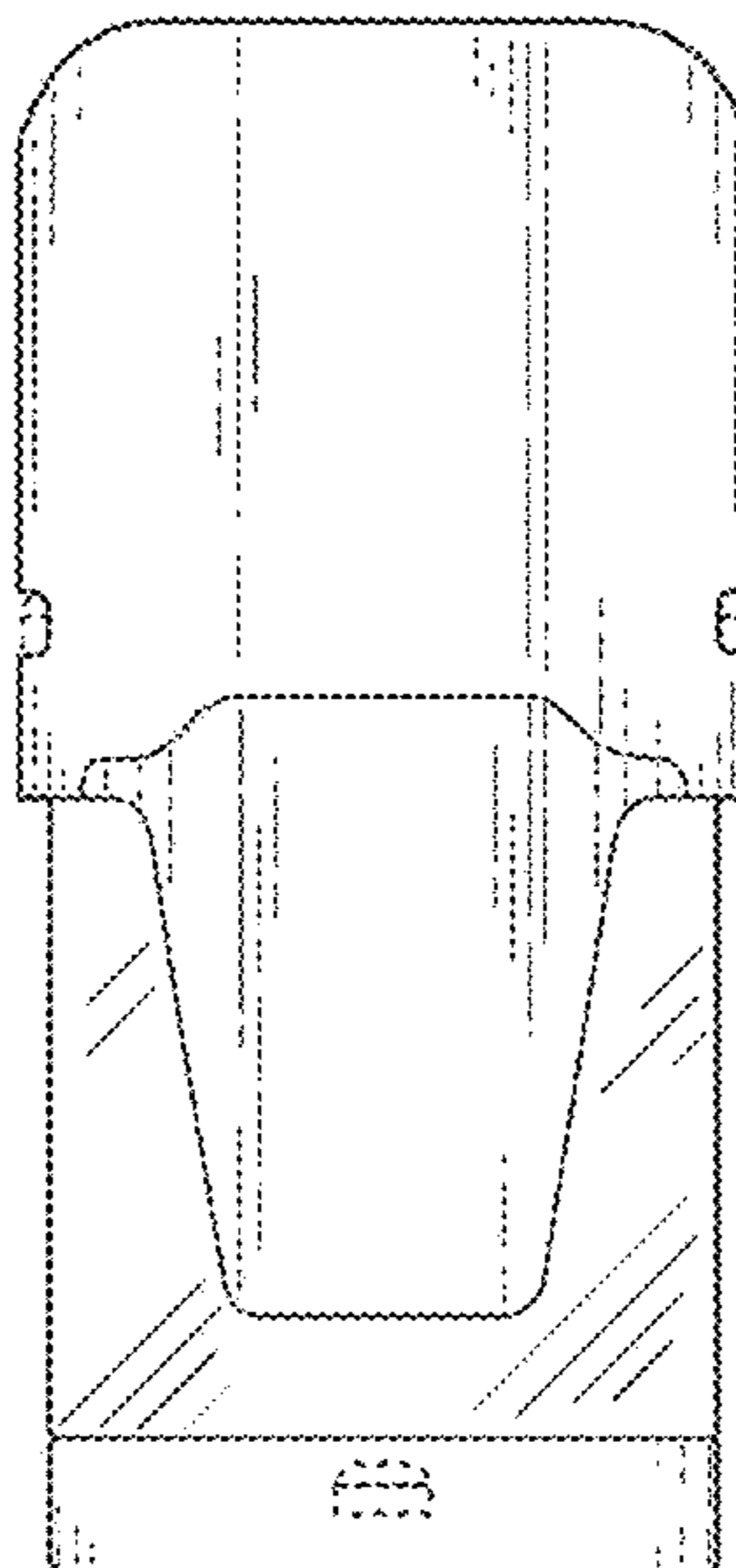
(57) **CLAIM**

We claim the ornamental design for a vaporizer pod, as shown and described.

DESCRIPTION

FIG. 1 is a front (and identical rear) elevation view of the vaporizer pod, showing my new design; FIG. 2 is a right (and identical left) elevation view thereof; FIG. 3 is a top plan view thereof; FIG. 4 is a bottom view thereof; and, FIG. 5 is a top perspective view thereof. The broken lines in the drawings depict portions of the vaporizer pod that form no part of the claim.

1 Claim, 5 Drawing Sheets



(56)

References Cited

U.S. PATENT DOCUMENTS

D928,394	S	8/2021	Jones et al.	
D928,396	S *	8/2021	Li	D27/162
D929,033	S *	8/2021	Lomas	D27/162
D929,034	S *	8/2021	Li	D27/162
D930,236	S	9/2021	Fornarelli	
D933,286	S	10/2021	Weiss et al.	
D940,951	S *	1/2022	Ding	D27/162
D945,057	S *	3/2022	Powell	D27/162
2019/0053542	A1 *	2/2019	Chen	A61M 11/042

* cited by examiner

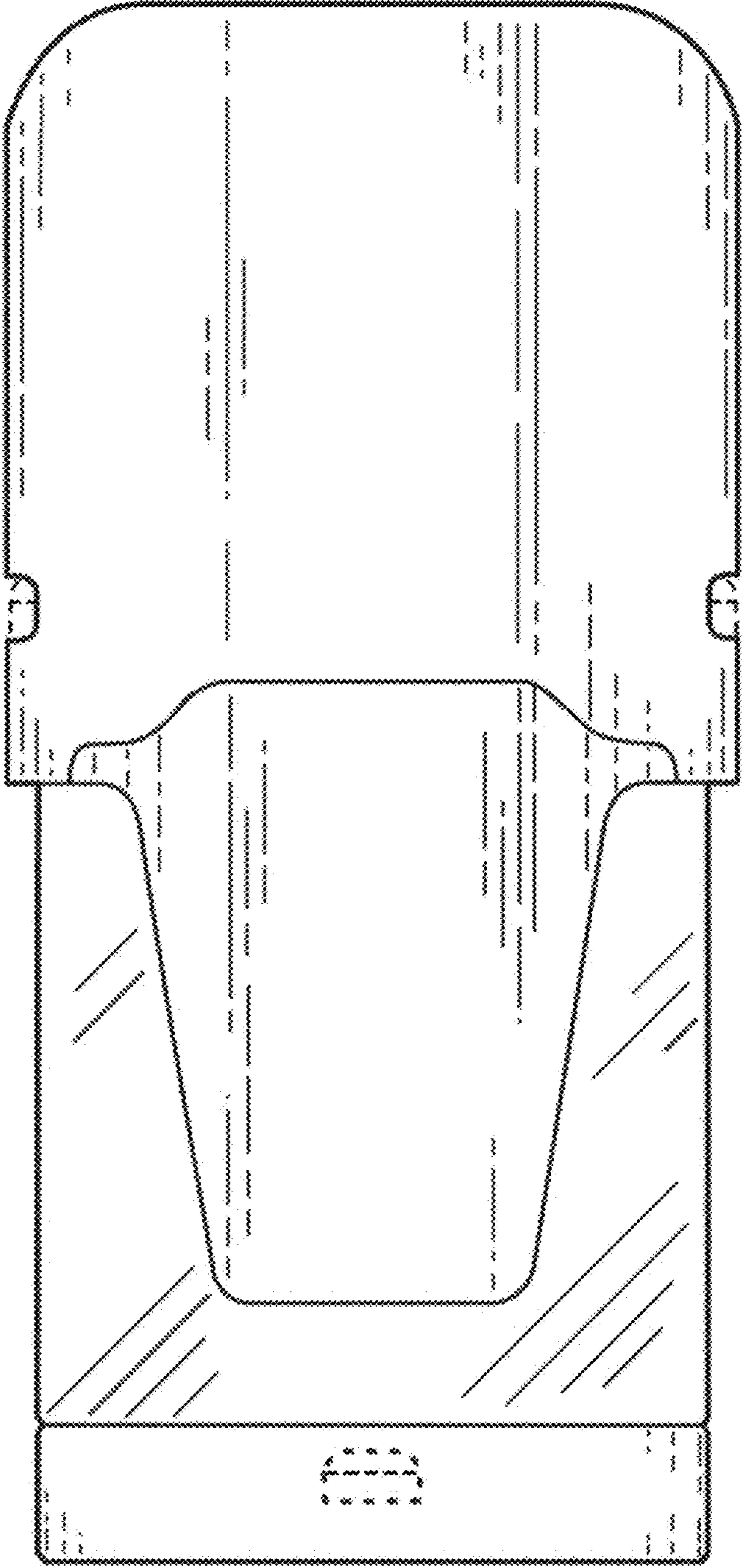


FIG. 1

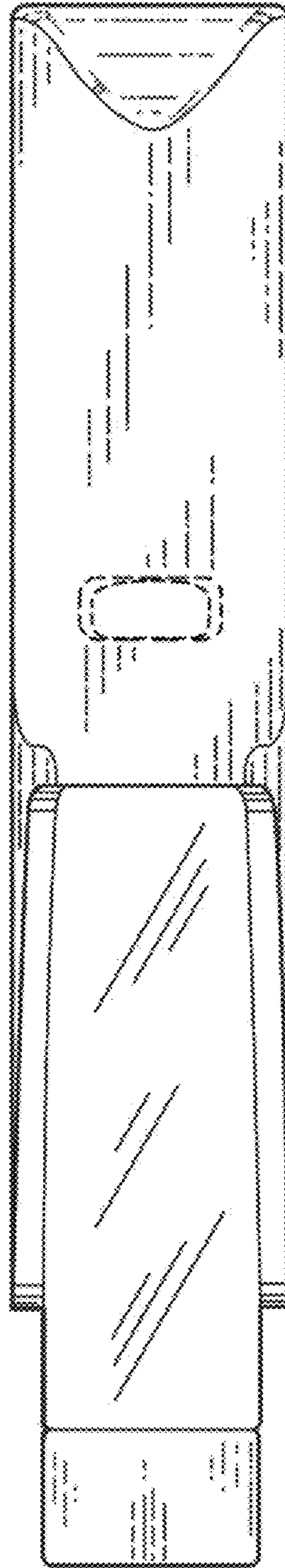


FIG. 2

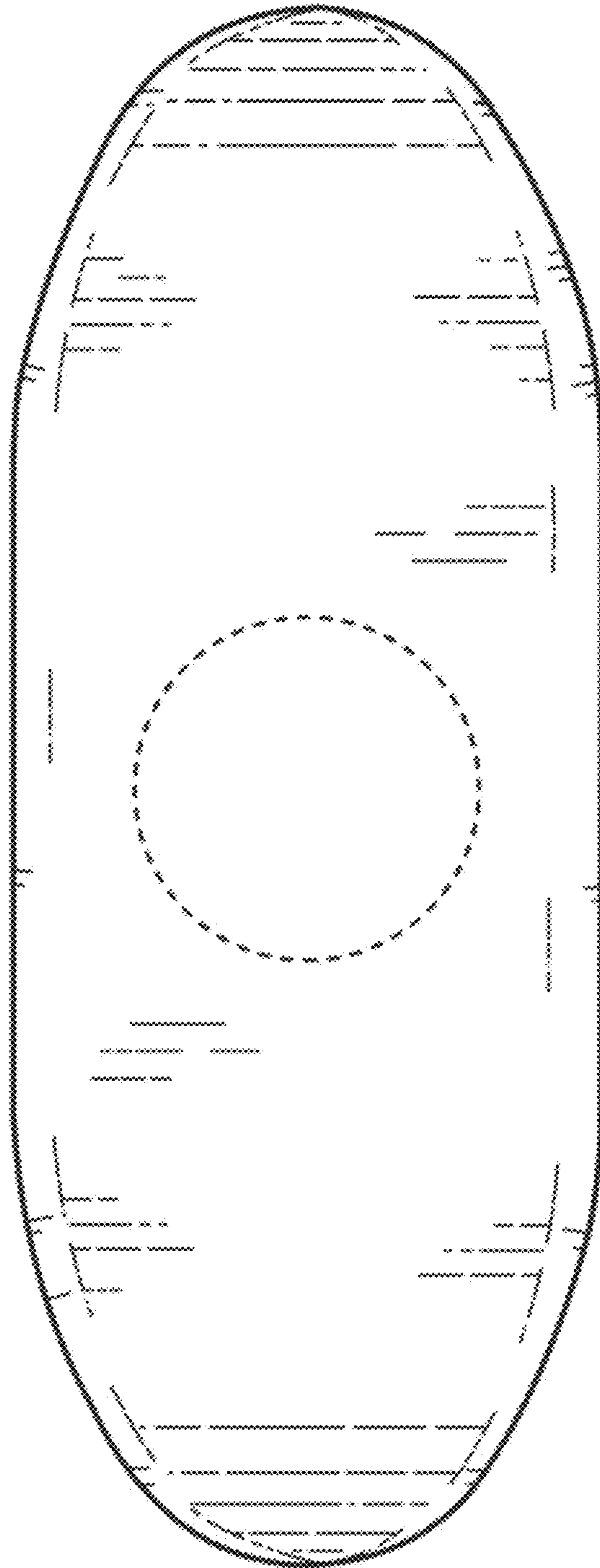


FIG. 3

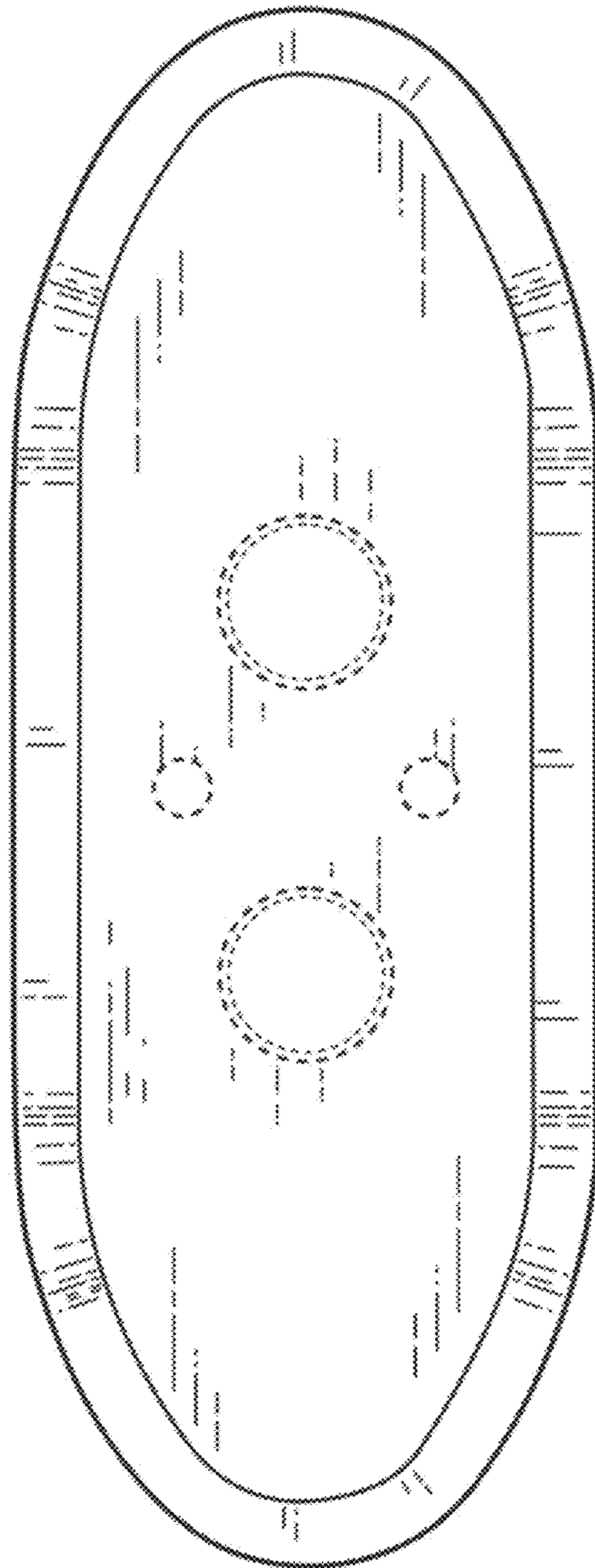


FIG. 4

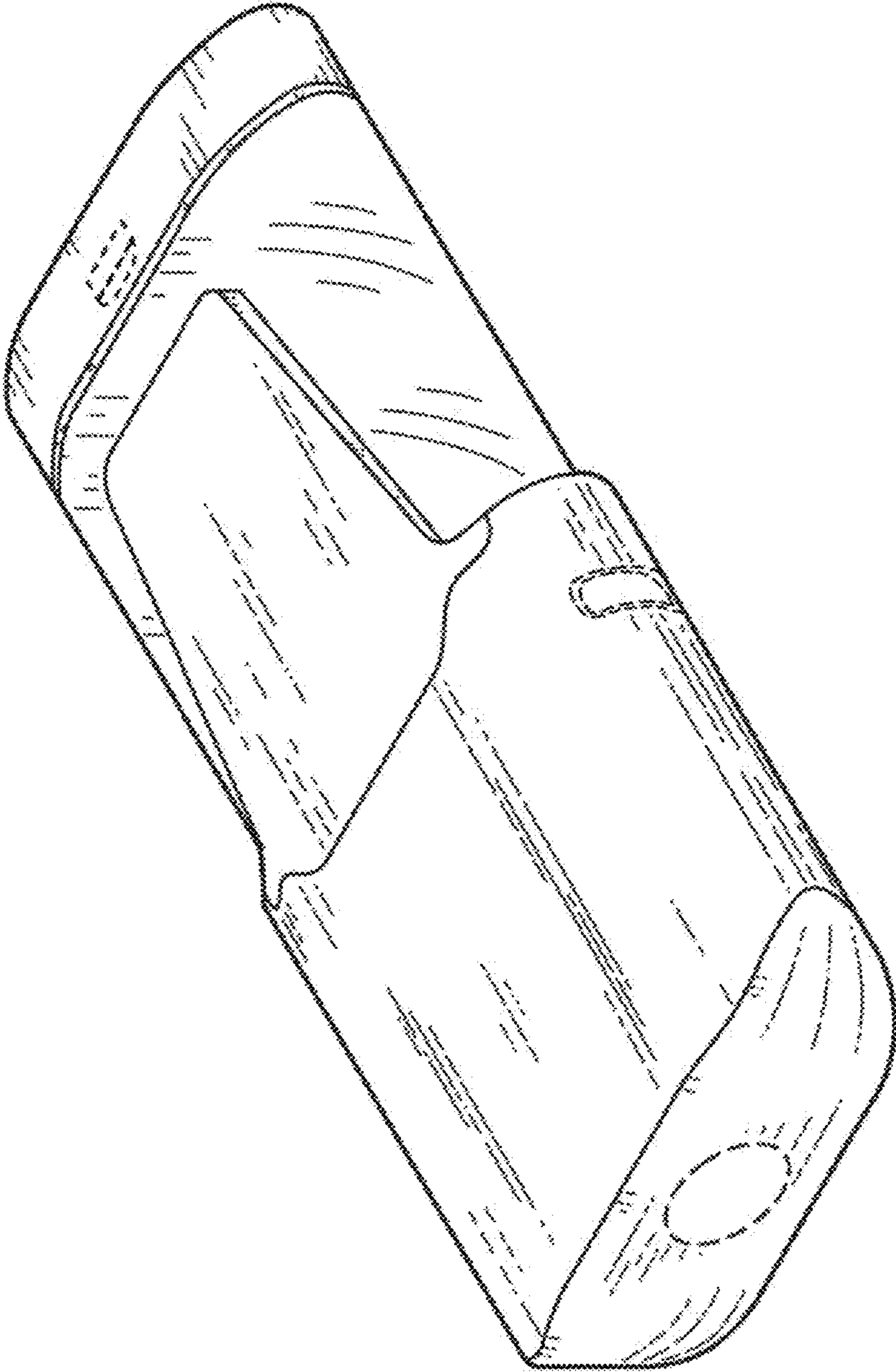


FIG. 5