



US00D972769S

(12) **United States Design Patent**
Kao et al.

(10) **Patent No.:** **US D972,769 S**
(45) **Date of Patent:** **** Dec. 13, 2022**

- (54) **LIGHT-EMITTING DEVICE**
- (71) Applicant: **EPISTAR CORPORATION**, Hsinchu (TW)
- (72) Inventors: **Hui-Fang Kao**, Hsinchu (TW);
Yao-Ning Chan, Hsinchu (TW);
Yi-Tang Lai, Hsinchu (TW);
Yun-Chung Chou, Hsinchu (TW);
Shih-Chang Lee, Hsinchu (TW); **Chen Ou**, Hsinchu (TW)
- (73) Assignee: **EPISTAR CORPORATION**, Hsinchu (TW)
- (**) Term: **15 Years**
- (21) Appl. No.: **29/776,714**
- (22) Filed: **Mar. 31, 2021**

- D689,029 S * 9/2013 Min D13/180
- D743,919 S * 11/2015 Tsai D13/180
- D770,989 S * 11/2016 Kim D13/180
- D788,952 S * 6/2017 Goltche D26/120

(Continued)

Primary Examiner — Richard Kearney
Assistant Examiner — Christina M. Dodson
(74) *Attorney, Agent, or Firm* — Muncy, Geissler, Olds & Lowe, P.C.

(30) **Foreign Application Priority Data**

Oct. 7, 2020 (TW) 109305595

- (51) **LOC (13) Cl.** **26-04**
- (52) **U.S. Cl.**

USPC **D26/113**; D13/182

(58) **Field of Classification Search**

USPC D10/114.4; D13/133, 139.2, 152, 155,
D13/180, 182; D14/126, 127, 134, 371,
D14/373, 435–438; D25/119, 121, 123,
D25/125; D26/1, 2, 24, 27, 72, 74–78,
D26/80–83, 85–86, 88–90, 113, 118,
D26/120–122, 138, 141

CPC F21S 8/00; F21S 8/03; F21S 8/031; F21S
8/036; F21S 8/04; F21S 8/043; F21S
8/046; F21S 8/06; F21S 8/063; F21V
3/049; F21V 7/00; F21V 7/0016; F21V
7/0041; F21V 7/005; F21V 7/0083; F21V
23/001

See application file for complete search history.

(56) **References Cited**

U.S. PATENT DOCUMENTS

- D630,777 S * 1/2011 Lee D26/24
- D647,493 S * 10/2011 Chang D13/180

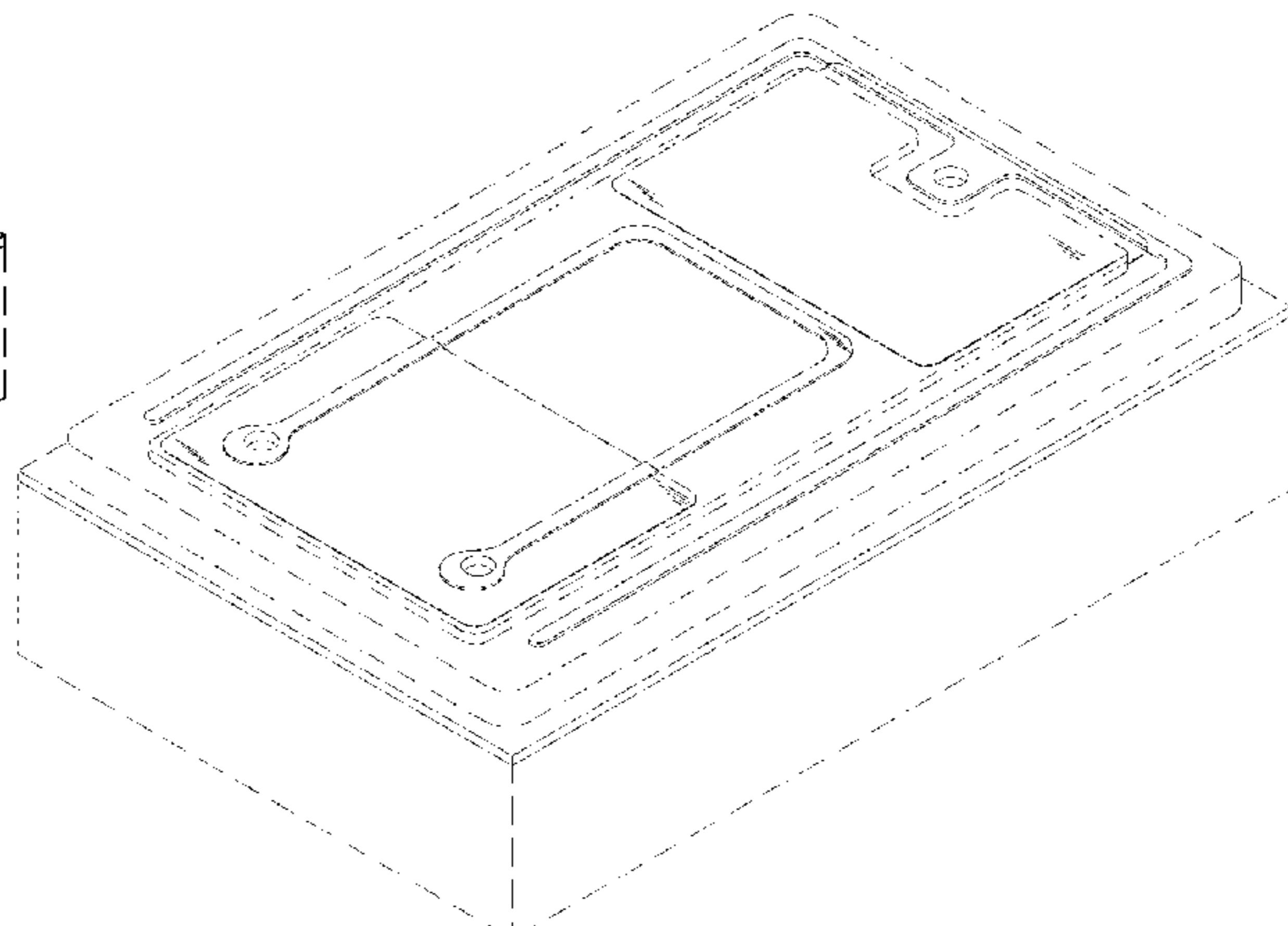
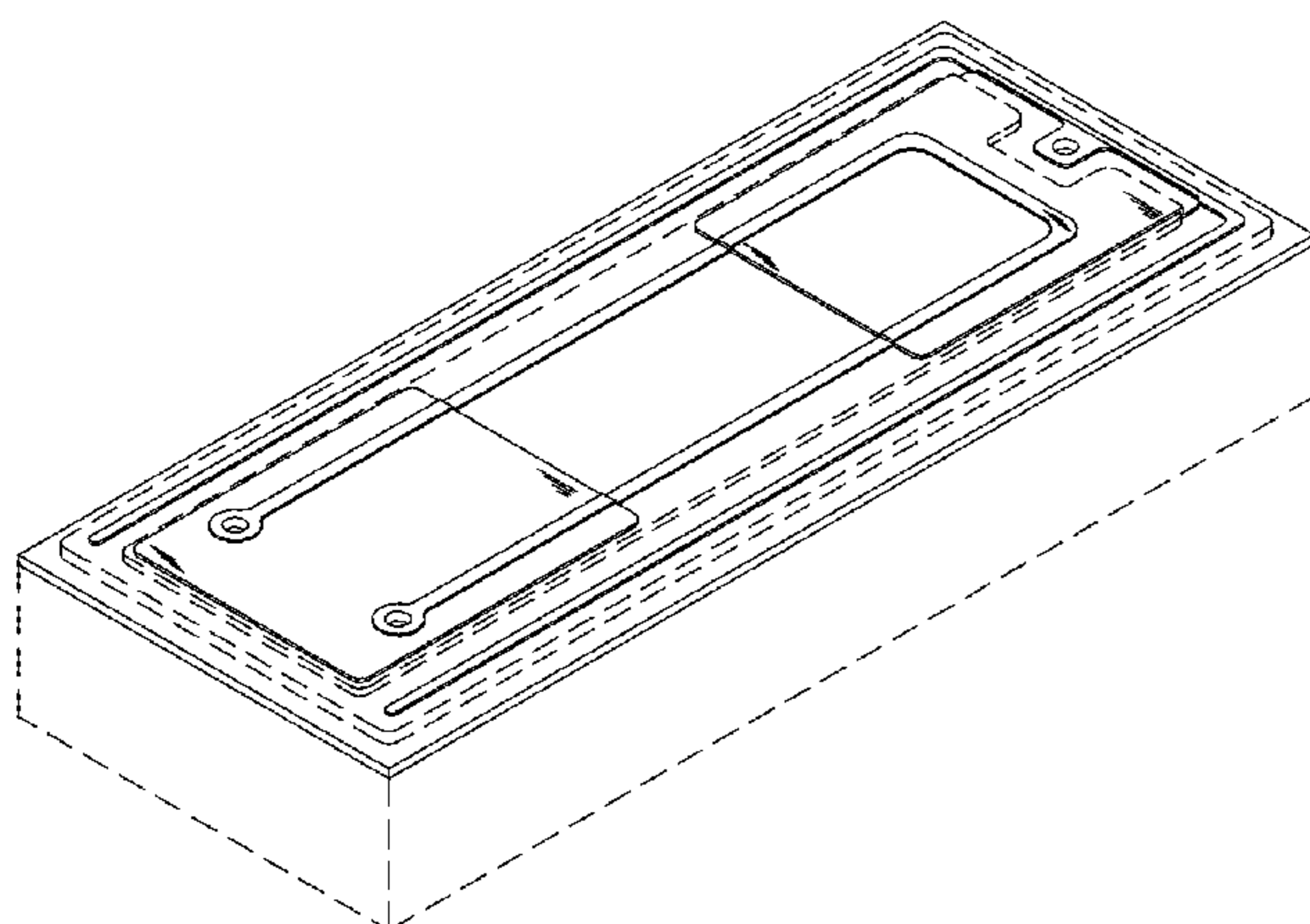
(57) **CLAIM**

The ornamental design for a light-emitting device, as shown and described.

DESCRIPTION

FIG. 1 is a perspective view of a first embodiment of a light-emitting device showing our new design; FIG. 2 is another perspective view thereof; FIG. 3 is a front elevational view thereof; FIG. 4 is a rear elevational view thereof; FIG. 5 is a left side view thereof; FIG. 6 is a right side view thereof; FIG. 7 is a top plan view thereof; FIG. 8 is a bottom plan view thereof; FIG. 9 is a perspective view of a second embodiment of a light-emitting device showing our new design; FIG. 10 is another perspective view thereof; FIG. 11 is a front elevational view thereof; FIG. 12 is a rear elevational view thereof; FIG. 13 is a left side view thereof; FIG. 14 is a right side view thereof; FIG. 15 is a top plan view thereof; and, FIG. 16 is a bottom plan view thereof. The broken line showing is for the purpose of illustrating environmental structure only and forms no part of the claimed design.

1 Claim, 12 Drawing Sheets



(56)

References Cited

U.S. PATENT DOCUMENTS

10,205,070 B2 *	2/2019	Liu	H01L 25/0753
D848,382 S *	5/2019	Ishikawa	D13/182
D888,674 S *	6/2020	Chen	D13/182
10,749,076 B2 *	8/2020	Chun-Hung	H01L 33/44
D926,713 S *	8/2021	Hsieh	D13/180
D928,104 S *	8/2021	Kao	D13/180
D944,218 S *	2/2022	Kao	D13/180

* cited by examiner

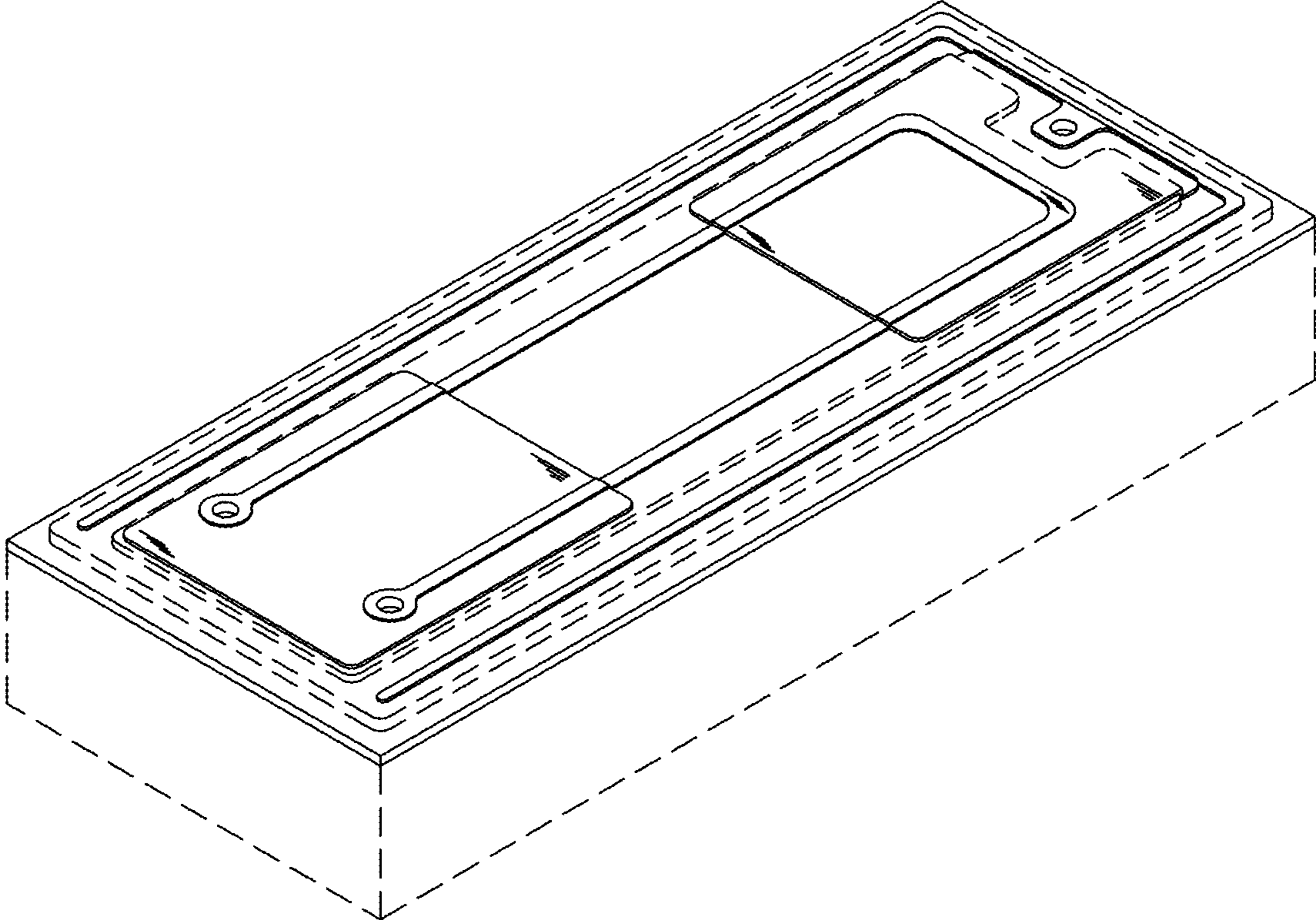


FIG. 1

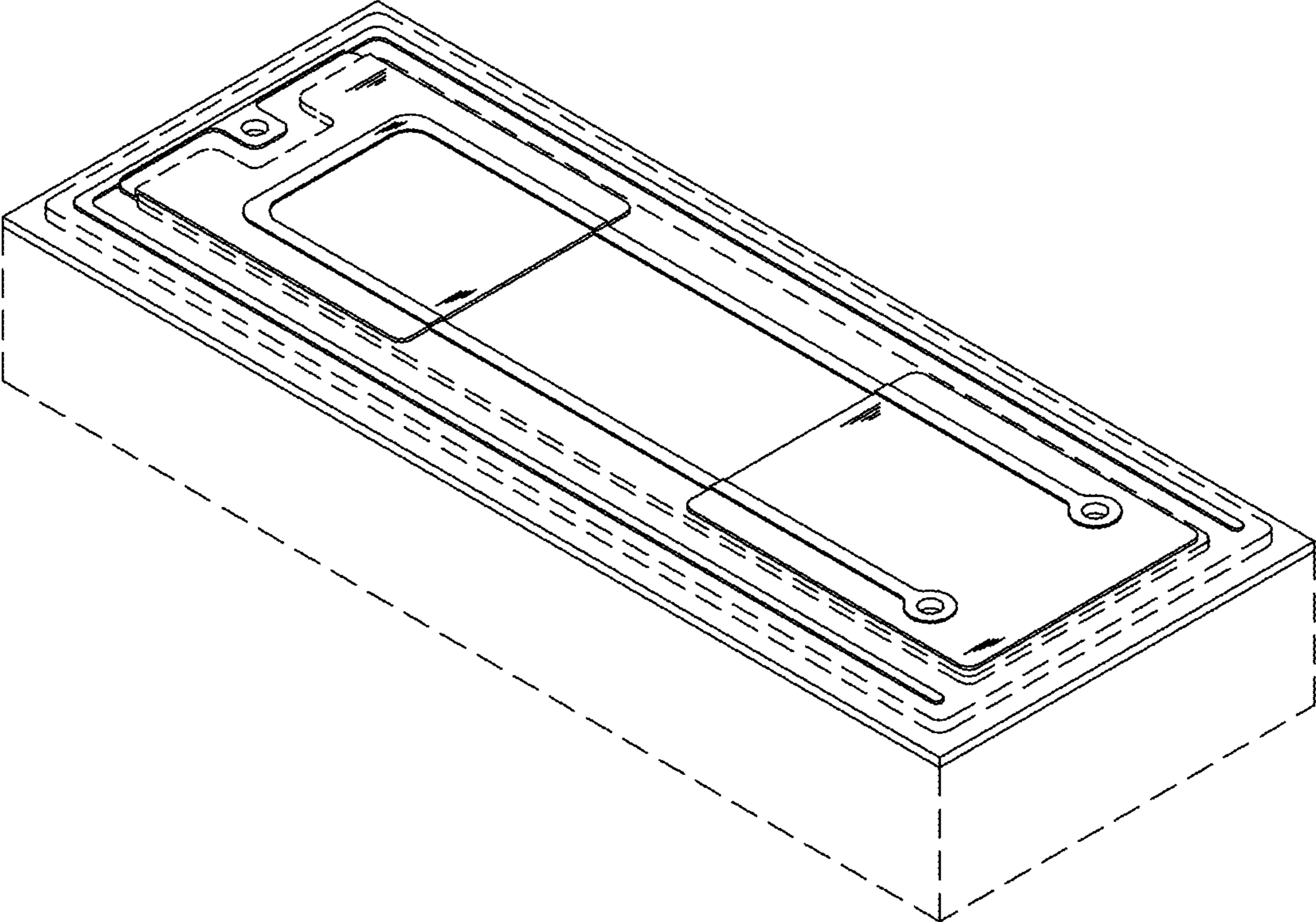


FIG. 2

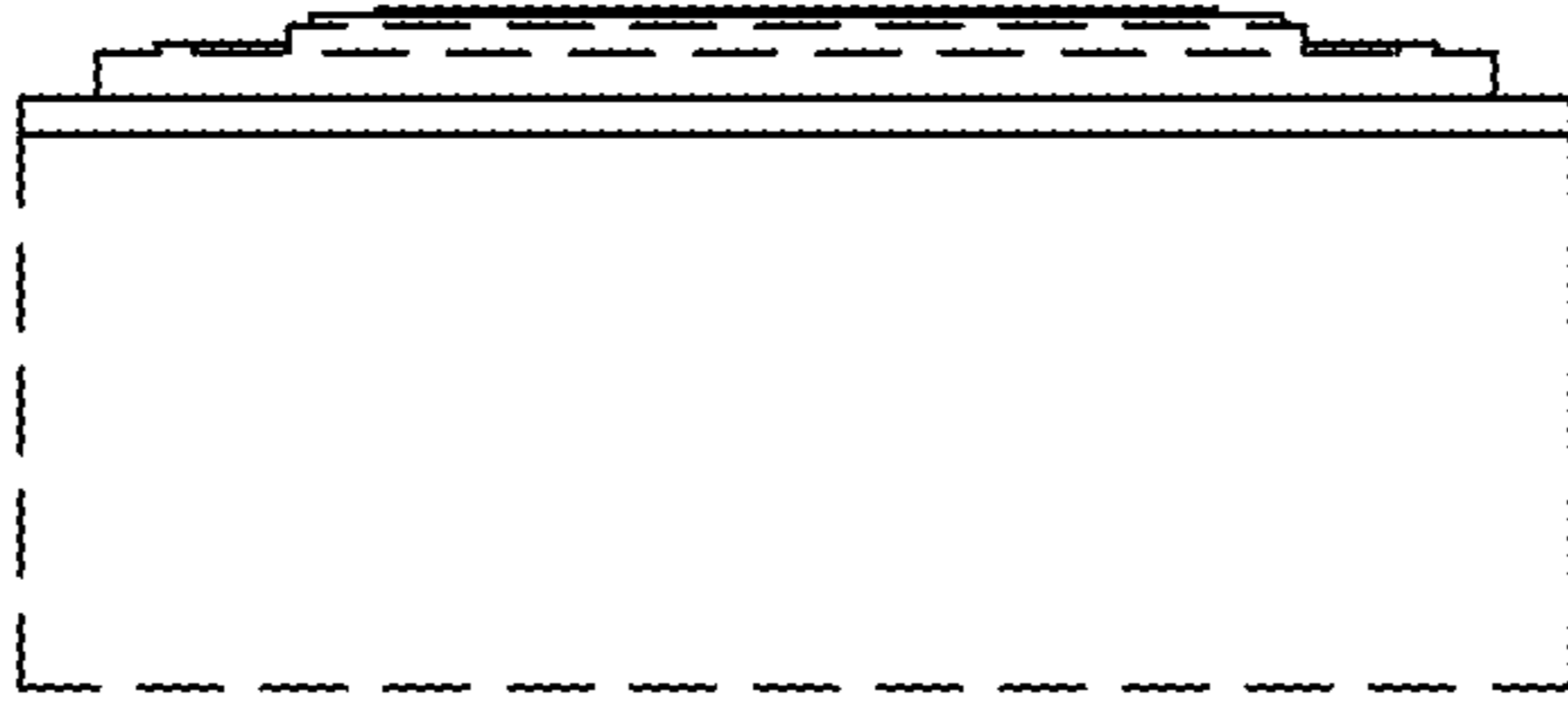


FIG. 3

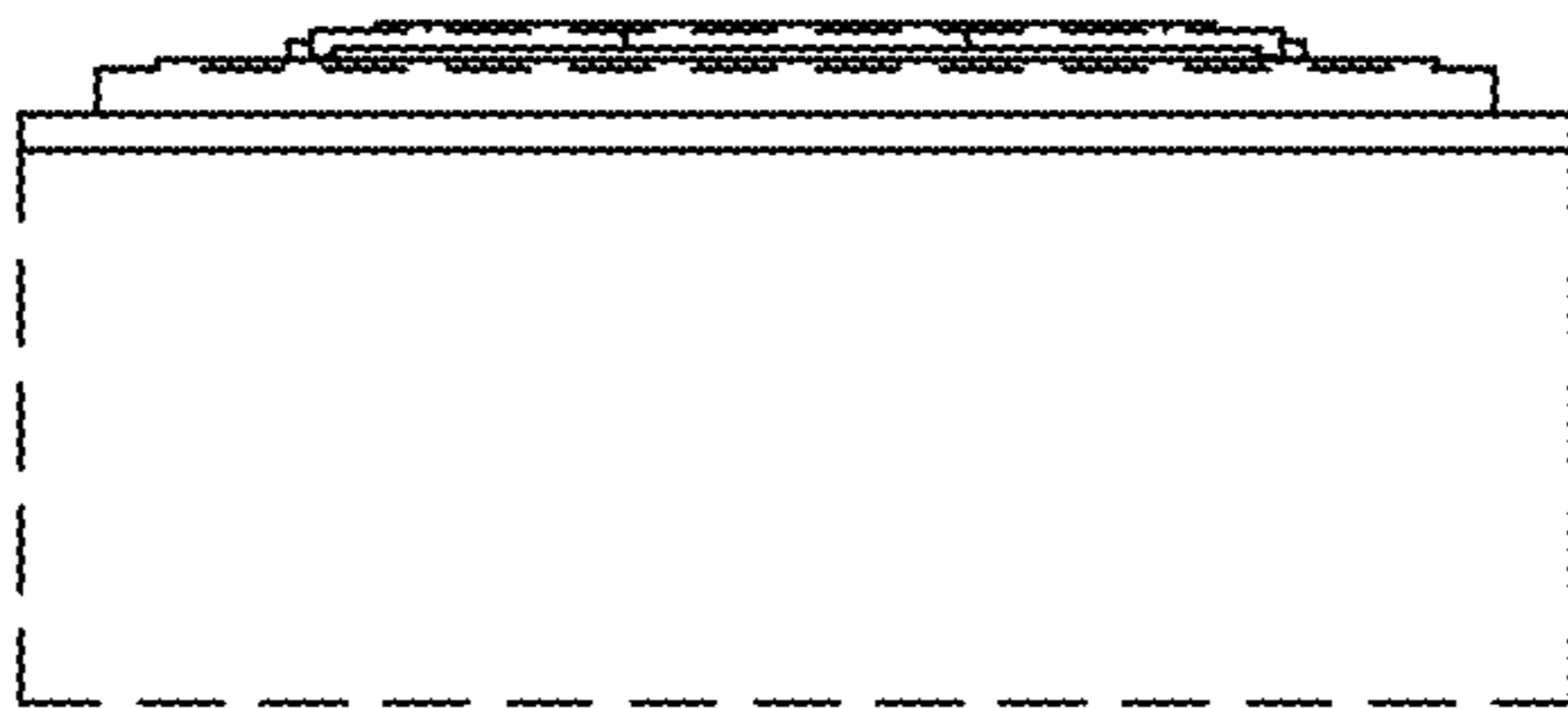


FIG. 4

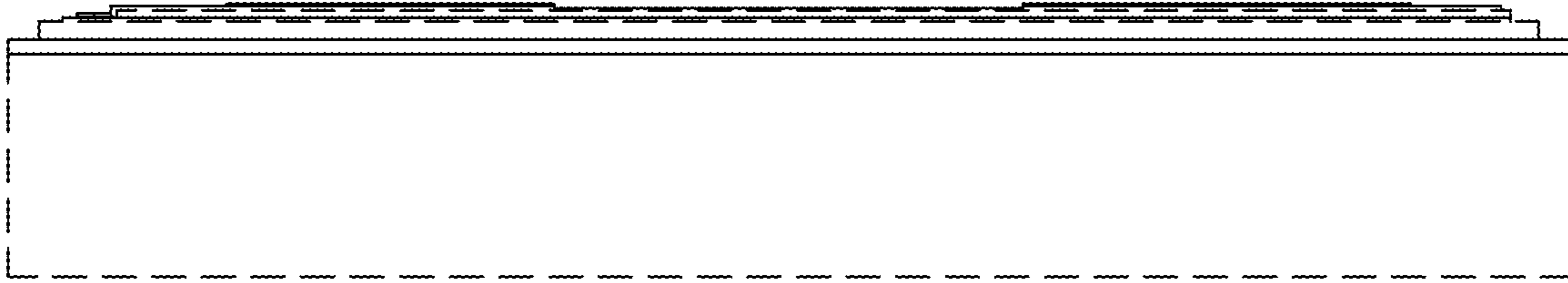


FIG. 5

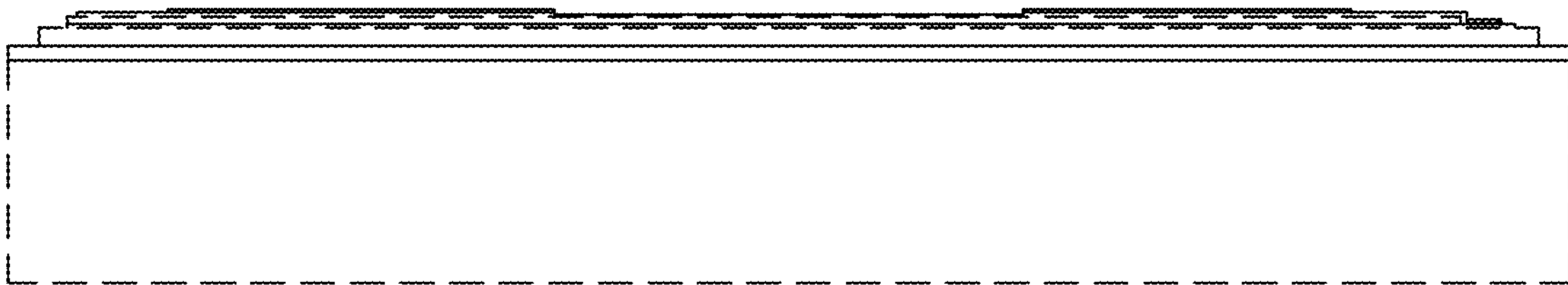


FIG. 6

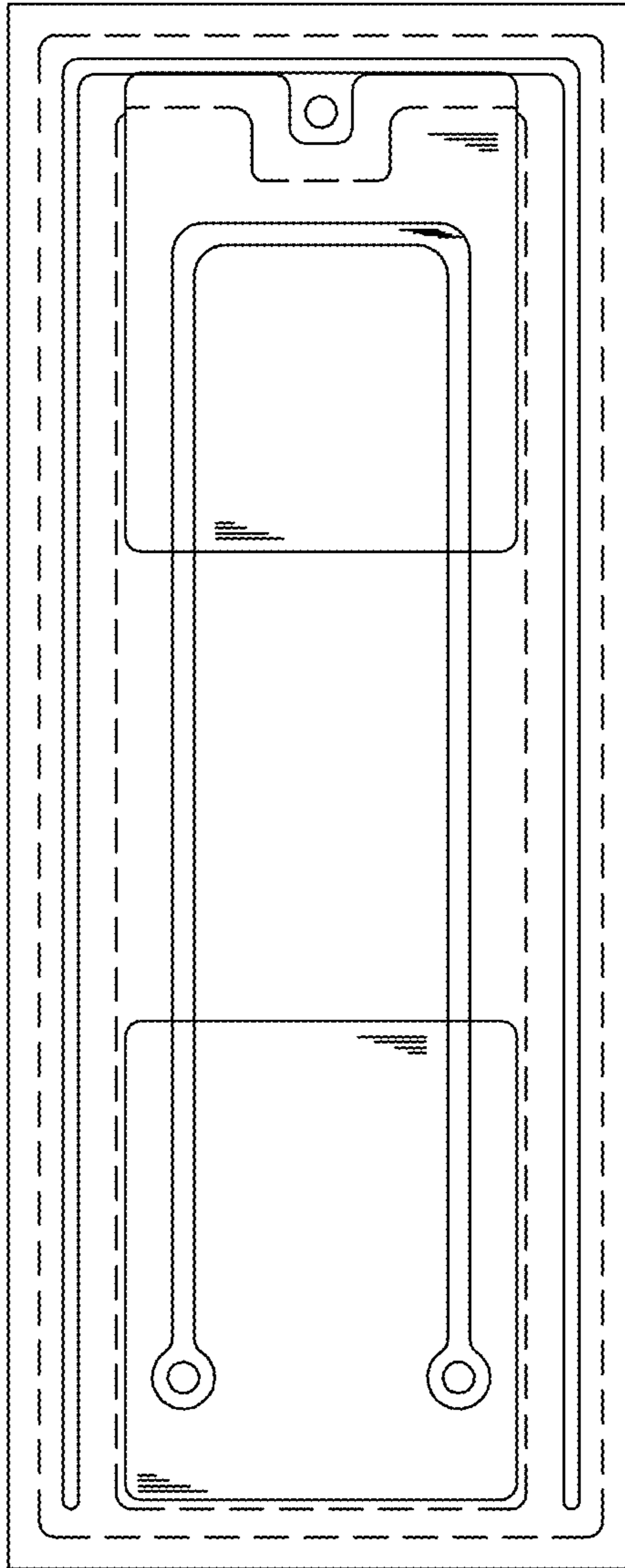


FIG. 7



FIG. 8

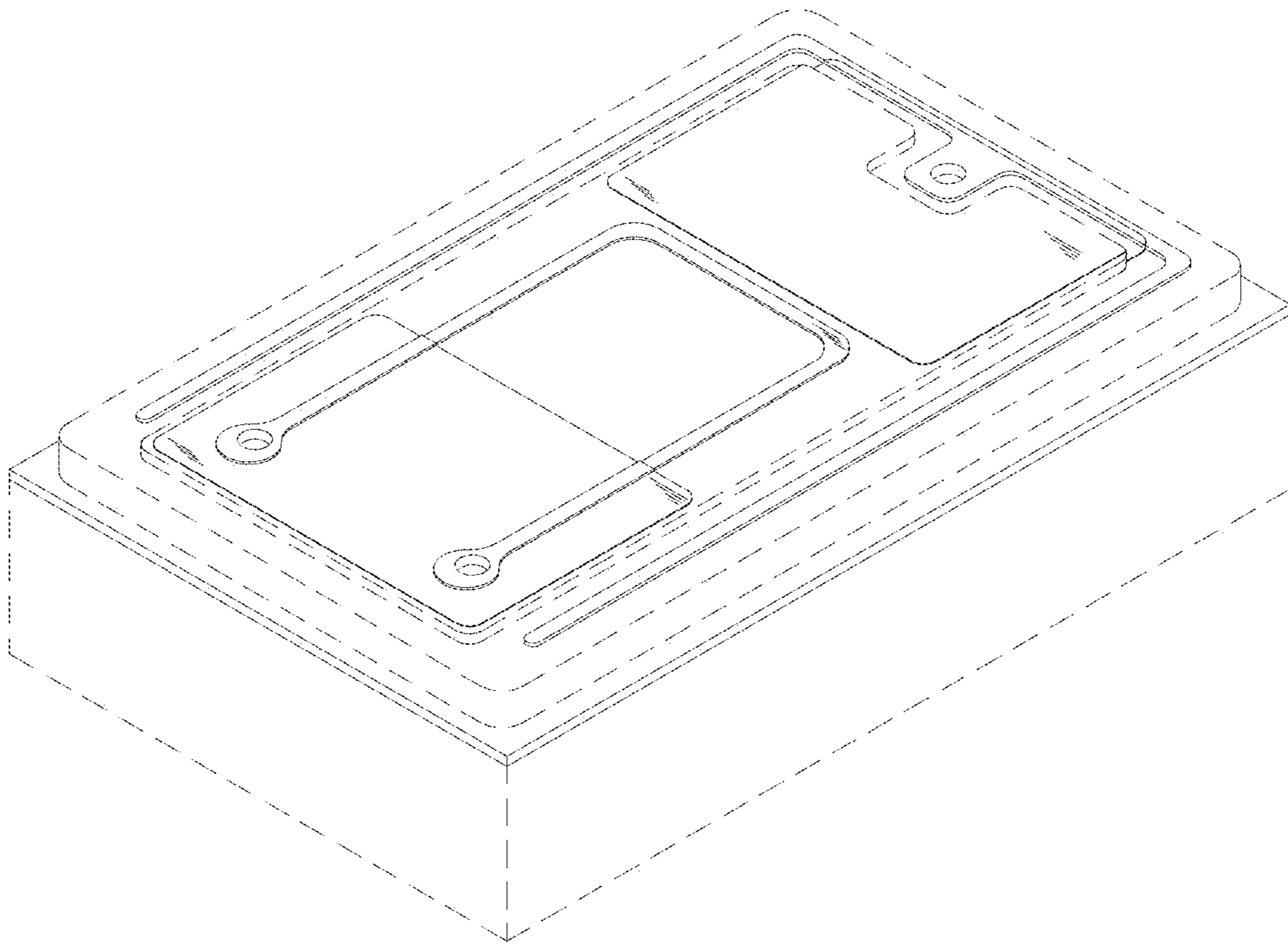


FIG. 9

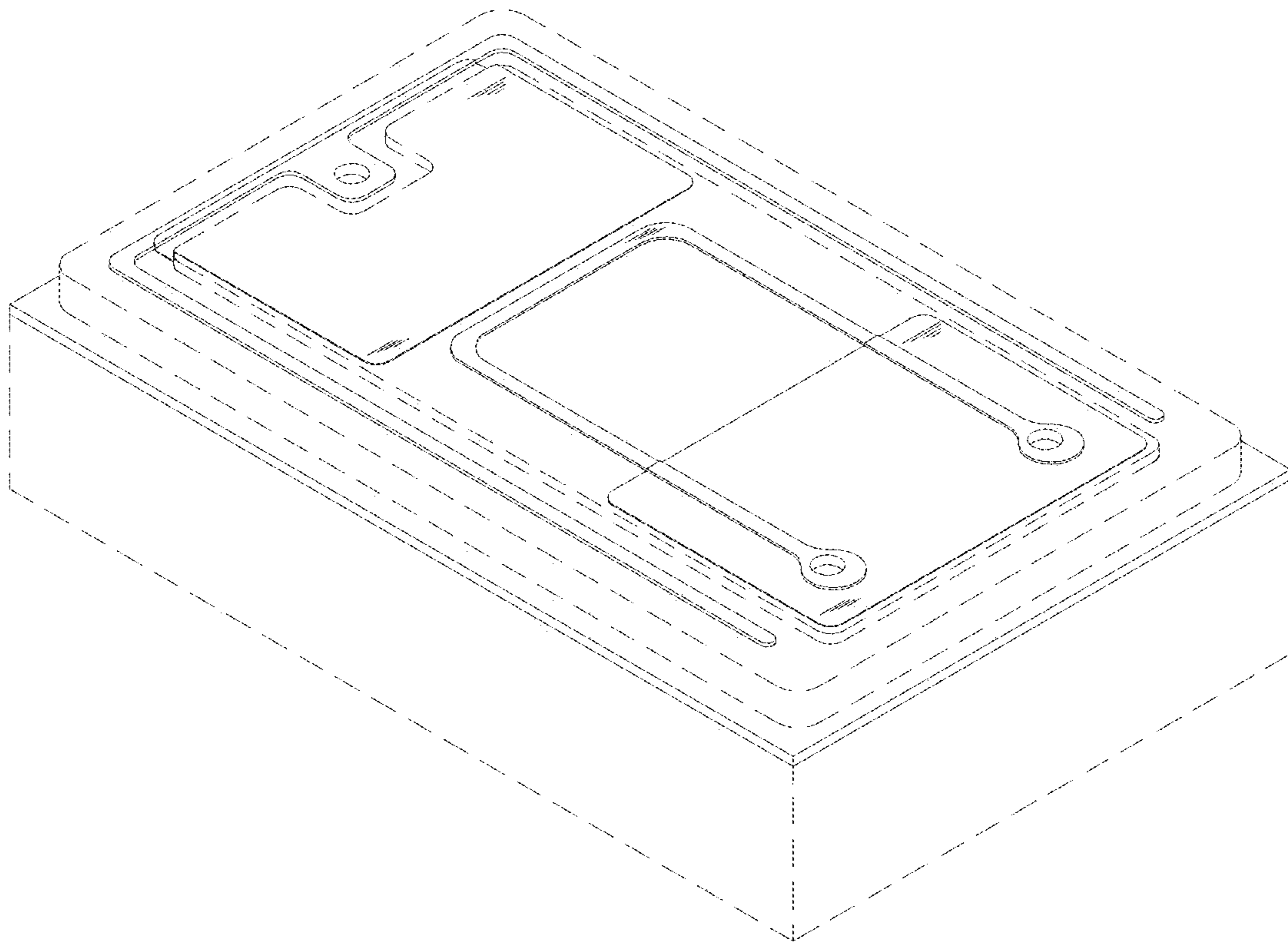


FIG. 10

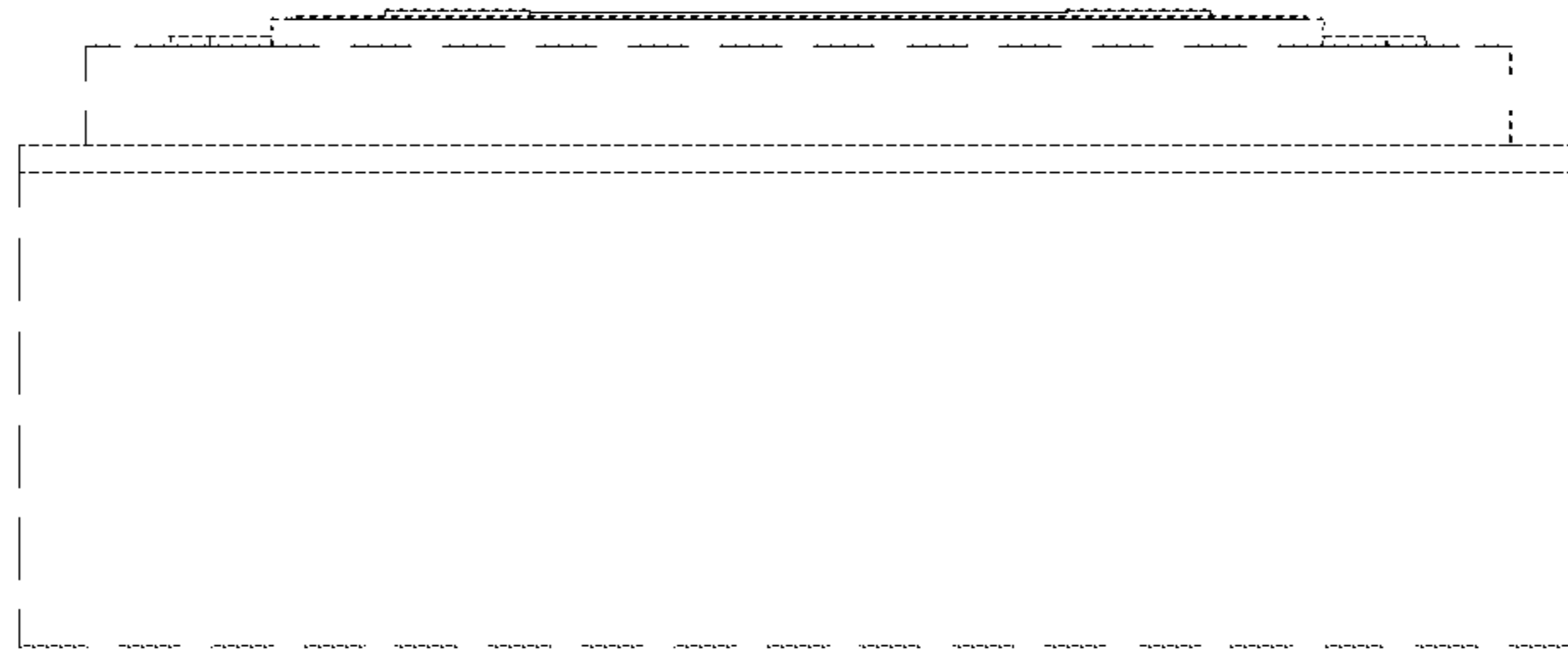


FIG. 11

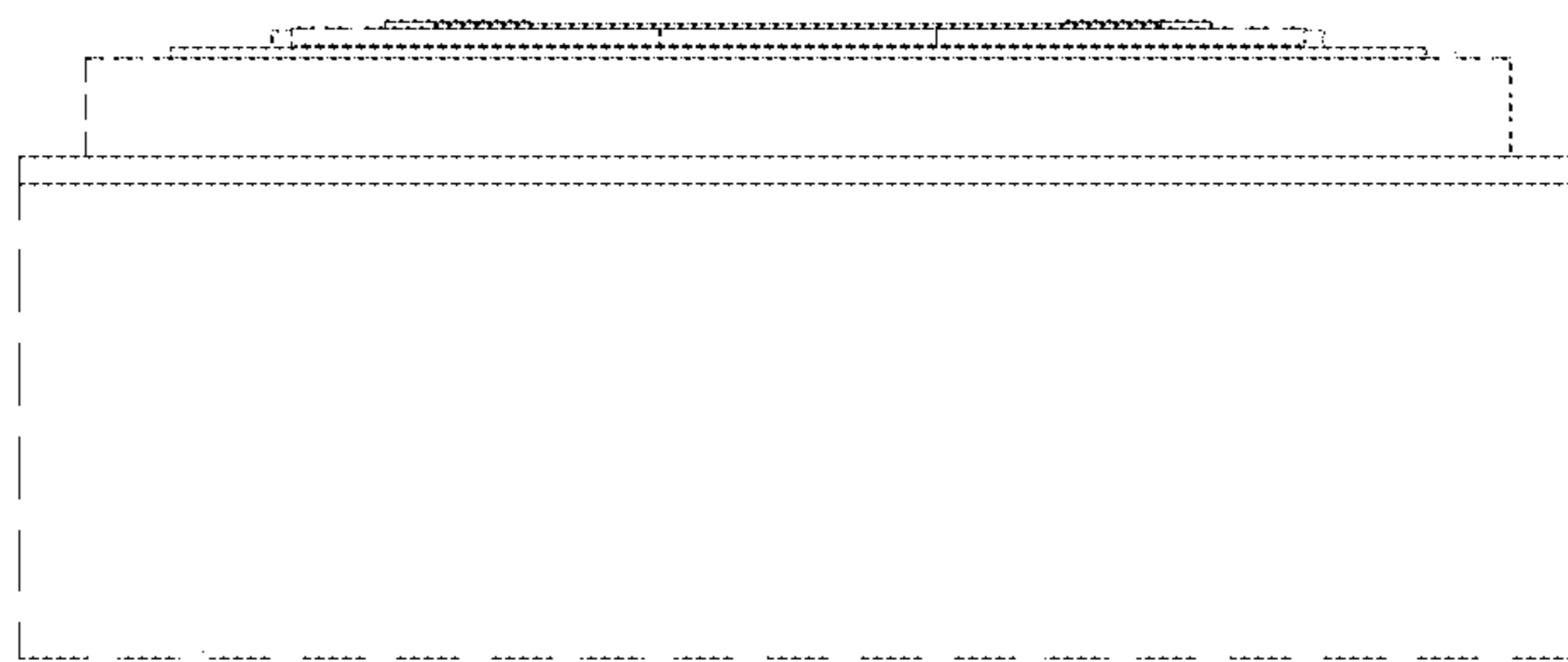


FIG. 12

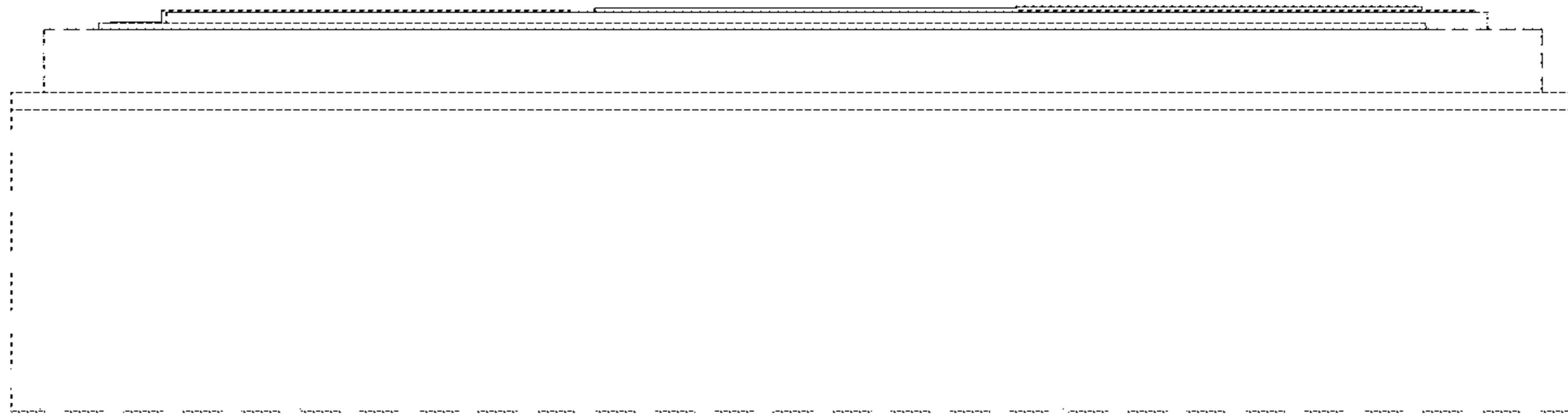


FIG. 13



FIG. 14

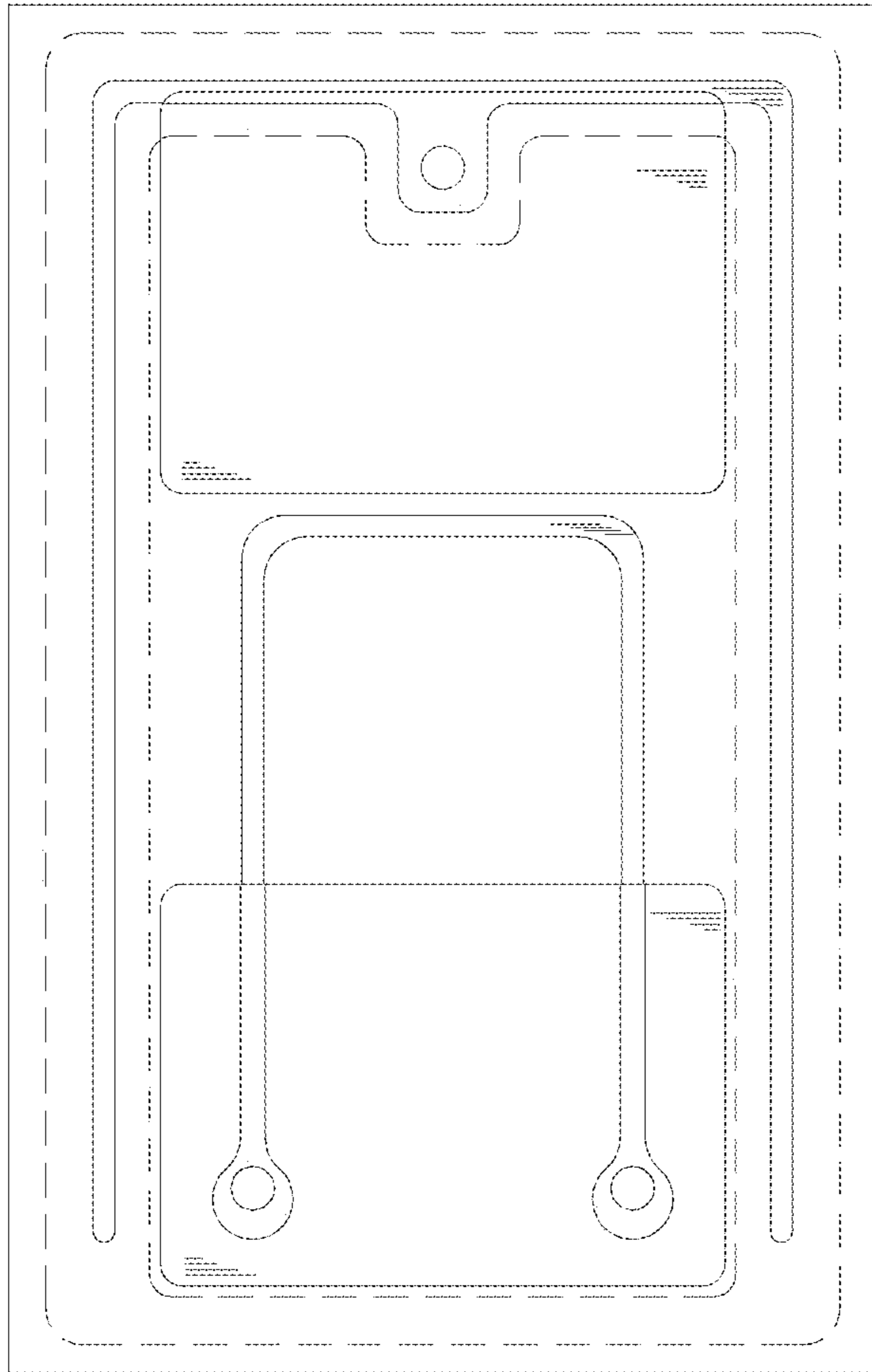


FIG. 15

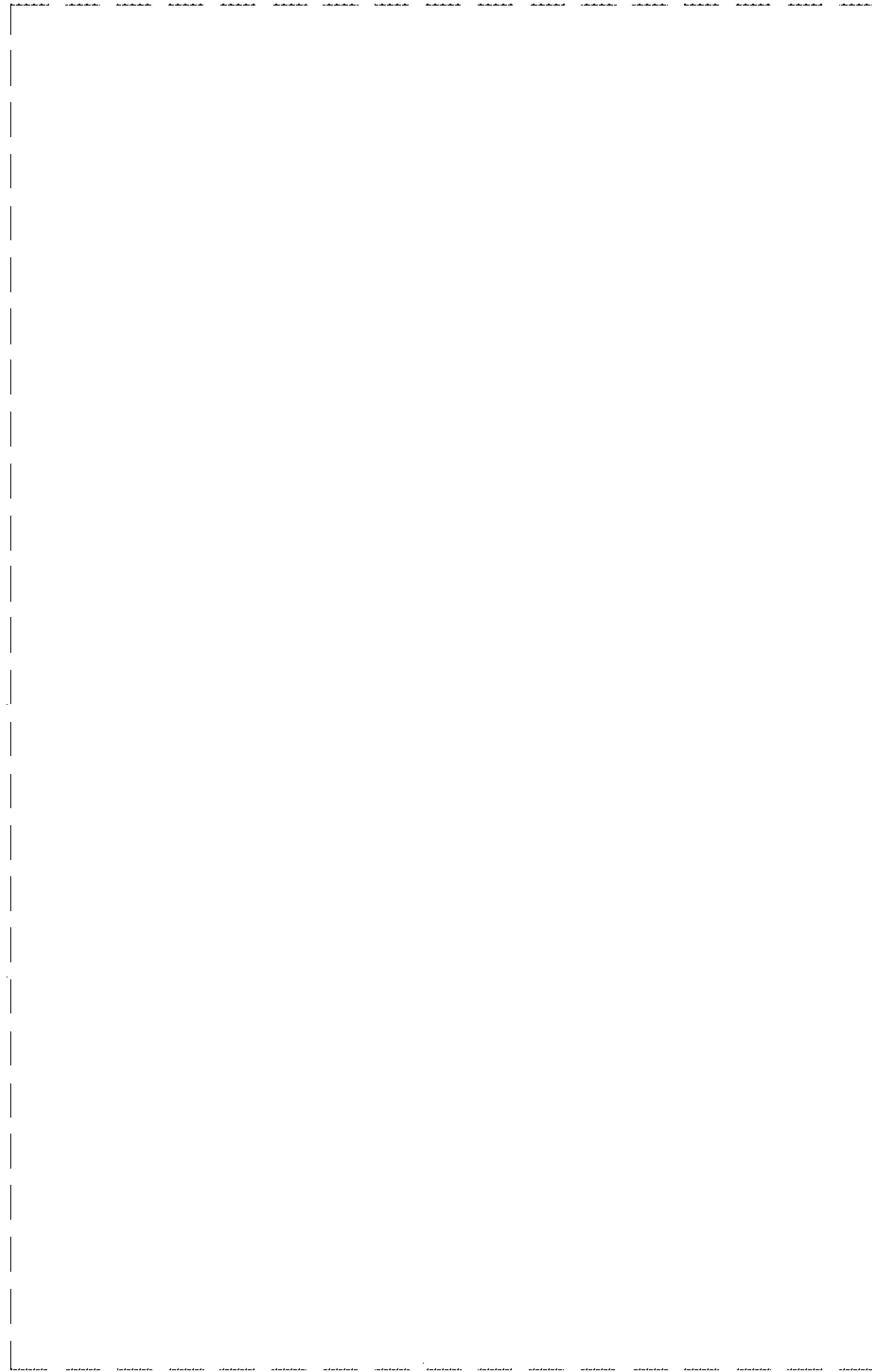


FIG. 16