



US00D972768S

(12) **United States Design Patent** (10) **Patent No.:** **US D972,768 S**
Peng (45) **Date of Patent:** **** Dec. 13, 2022**

(54) **STAGE LIGHTING**
(71) Applicant: **Feng Peng**, Hunan (CN)
(72) Inventor: **Feng Peng**, Hunan (CN)
(**) Term: **15 Years**
(21) Appl. No.: **29/764,955**
(22) Filed: **Jan. 5, 2021**

Related U.S. Application Data

(63) Continuation-in-part of application No. 29/747,696, filed on Aug. 25, 2020, now Pat. No. Des. 919,875.
(51) **LOC (13) Cl.** **26-05**
(52) **U.S. Cl.**
USPC **D26/110**
(58) **Field of Classification Search**
USPC D26/24, 46, 60, 85, 93, 98, 104, 106, D26/110, 112, 118, 142; D16/221, 225
CPC .. F21S 10/00; F21S 10/02; F21S 10/06; F21S 10/005; F21S 10/007; F21S 10/063; F21S 6/00; F21S 6/002; F21S 6/003; F21S 6/006; F21S 6/007; F21S 6/008; F21V 3/04; F21V 9/08; F21W 2131/30; F21W 2131/406; F21W 2121/00; F21W 2121/006; F21W 2121/008
See application file for complete search history.

(56) **References Cited**

U.S. PATENT DOCUMENTS

4,858,079 A * 8/1989 Ohashi F21V 33/008 353/62
D469,207 S * 1/2003 Chang D26/104
D700,385 S 2/2014 Quadri
D731,578 S 6/2015 Johnson
D770,656 S 11/2016 Quadri
D807,566 S 1/2018 Duarte et al.
D814,686 S 4/2018 Chen

D840,582 S * 2/2019 Liu D26/104
D841,211 S 2/2019 Wang
D866,014 S 11/2019 Zhang
D875,994 S 2/2020 Yu
D890,406 S * 7/2020 Chen D26/104
D898,271 S * 10/2020 Zheng D26/110
D900,376 S * 10/2020 Wang D26/104
D901,065 S * 11/2020 Wang D26/104
D901,747 S * 11/2020 Lin D26/94
D907,281 S * 1/2021 Wu D26/104
D914,958 S * 3/2021 Zheng D26/110
D915,661 S * 4/2021 Zhu D26/106
D919,875 S * 5/2021 Peng D26/110
D919,876 S * 5/2021 Ouyang D26/110
D927,043 S * 8/2021 Tian D26/93
D927,751 S * 8/2021 Zheng D26/51
D927,767 S * 8/2021 Zheng D26/110
11,092,301 B2 * 8/2021 Zheng F21V 5/04
D930,222 S * 9/2021 Song D26/106
D933,282 S * 10/2021 Ji D26/93
11,156,352 B1 * 10/2021 Li F21S 10/007

(Continued)

Primary Examiner — Wan Laymon
Assistant Examiner — Clint A Samuel

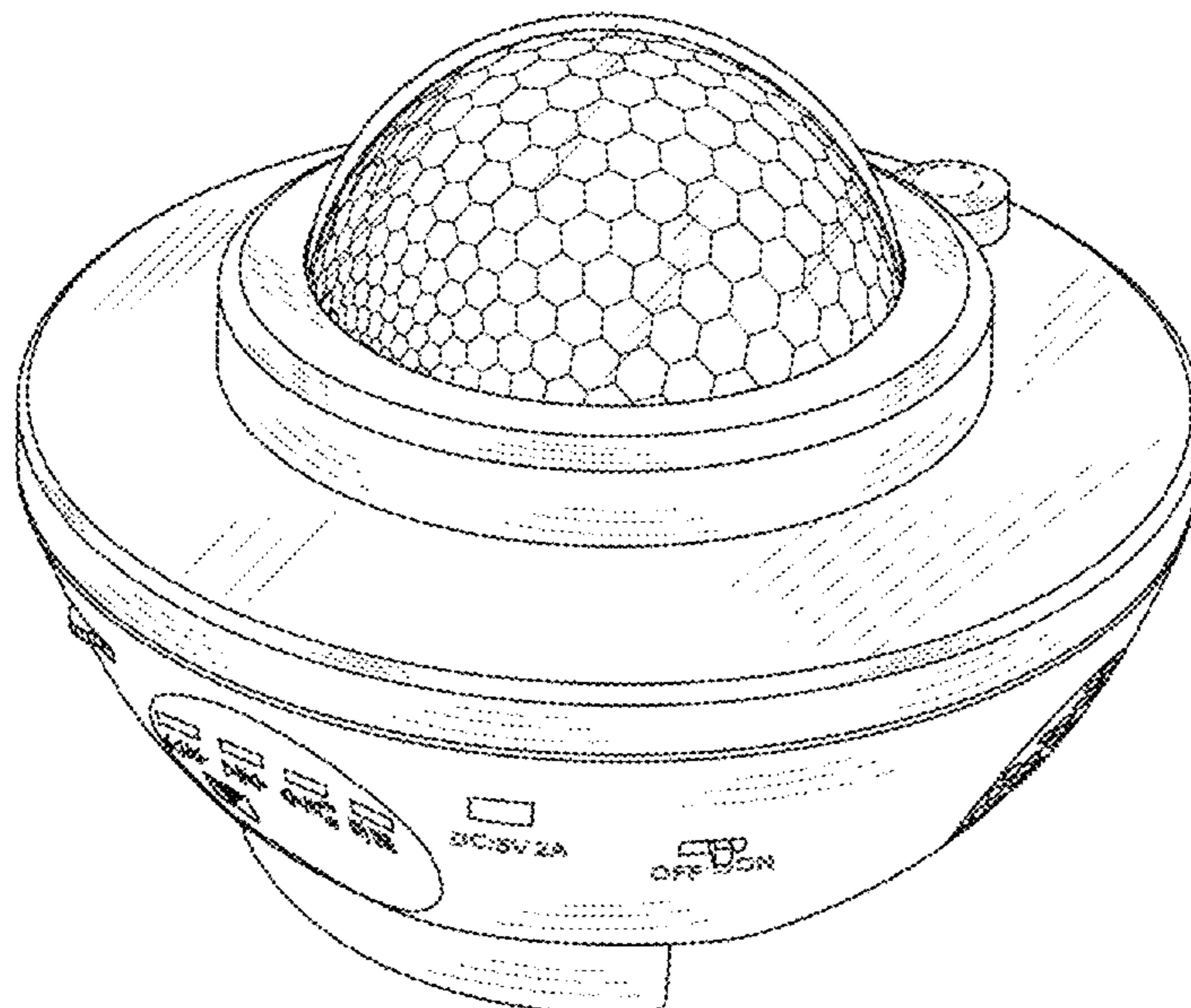
(57) **CLAIM**

The ornamental design for a stage lighting, as shown and described.

DESCRIPTION

FIG. 1 is a perspective view of a stage lighting showing my new design;
FIG. 2 is a front elevation view thereof;
FIG. 3 is a rear elevation view thereof;
FIG. 4 is a left side elevation view thereof;
FIG. 5 is a right side elevation view thereof;
FIG. 6 is a top plan view thereof; and,
FIG. 7 is a bottom plan view thereof.
The broken lines illustrate portions of the stage lighting that form no part of the claimed design.

1 Claim, 7 Drawing Sheets



(56)

References Cited

U.S. PATENT DOCUMENTS

D939,968 S * 1/2022 Zhao D26/54
D951,522 S * 5/2022 Xiong D26/110
D953,612 S * 5/2022 Hisle De Beauchaine .. D26/112
D956,322 S * 6/2022 Li D26/106
D959,046 S * 7/2022 Hendifar D26/110
D959,727 S * 8/2022 Tang D26/110
D959,728 S * 8/2022 Li D26/104
2021/0164628 A1 * 6/2021 Zheng F21V 5/005
2021/0247039 A1 * 8/2021 Zheng F21S 10/007
2021/0364142 A1 * 11/2021 Zheng F21S 10/007
2021/0381666 A1 * 12/2021 Zheng G03B 21/145

* cited by examiner

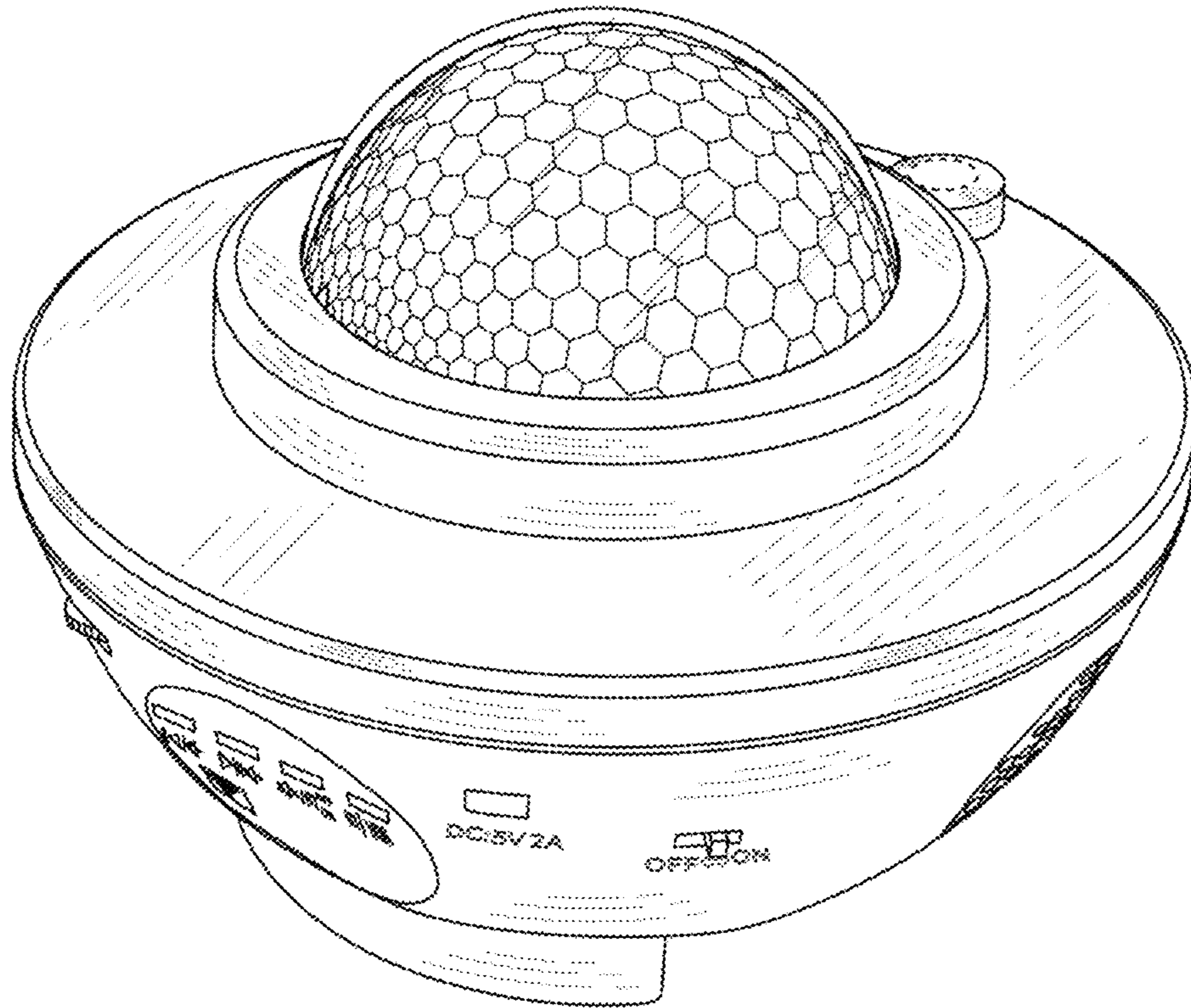


FIG.1

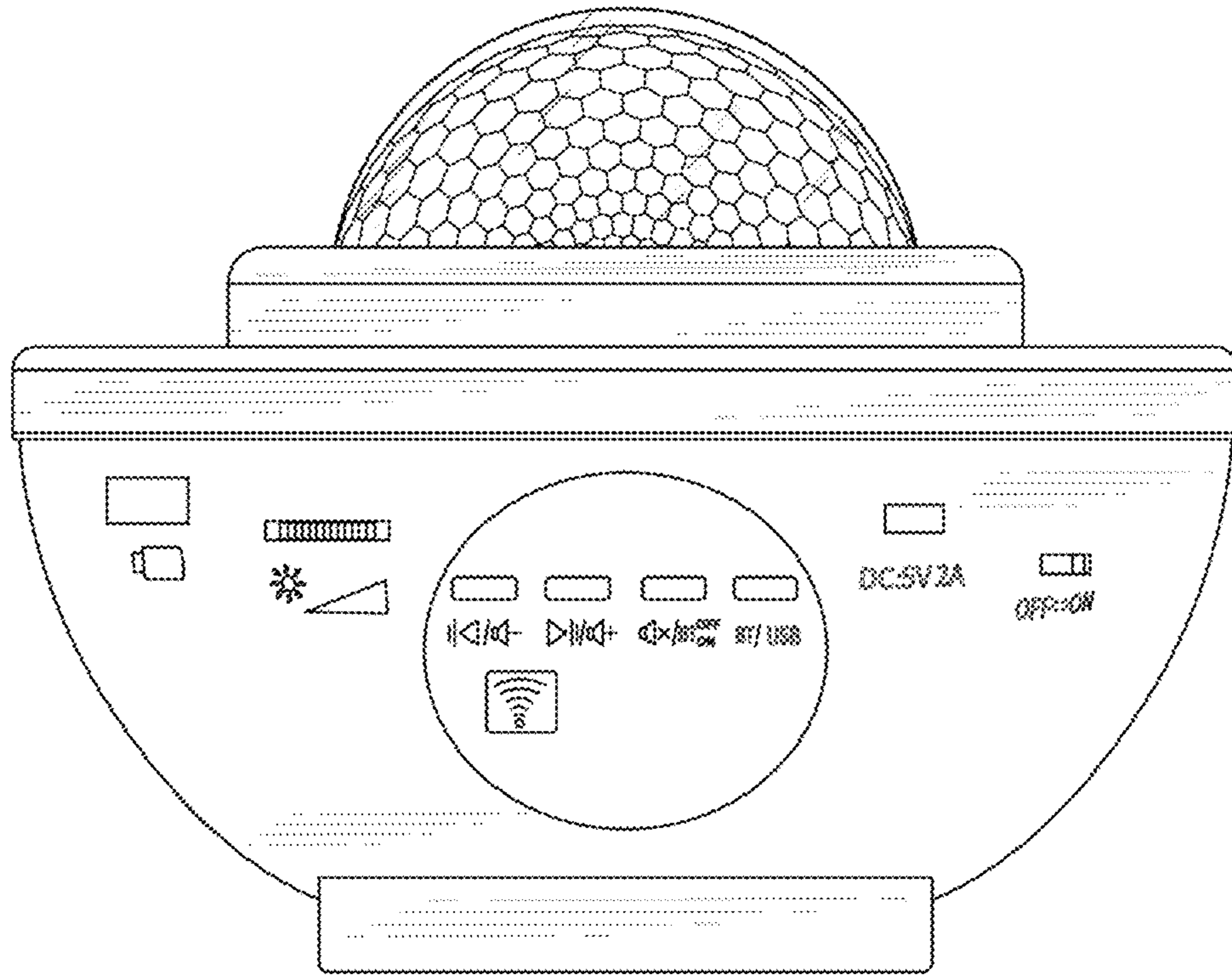


FIG.2

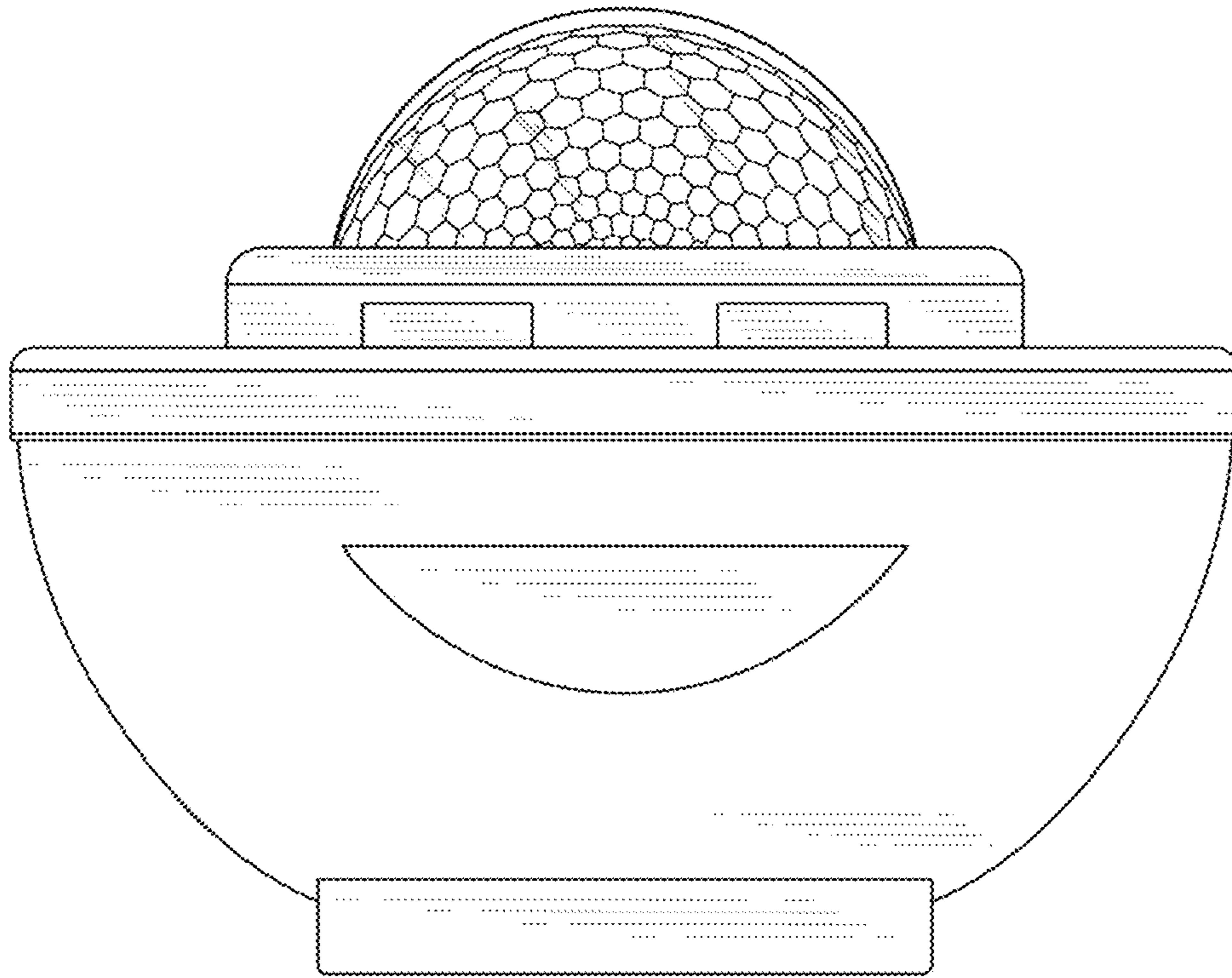


FIG.3

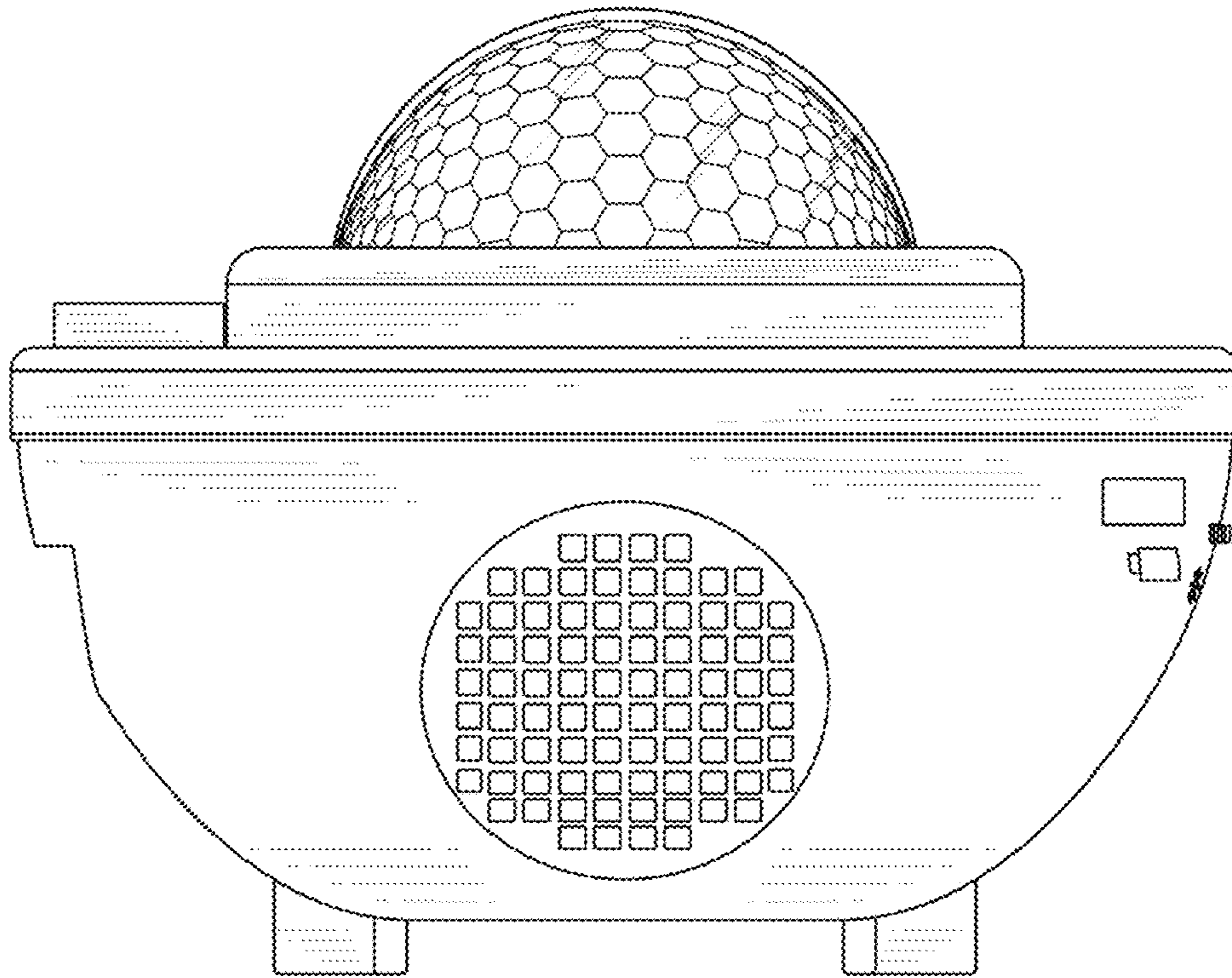


FIG.4

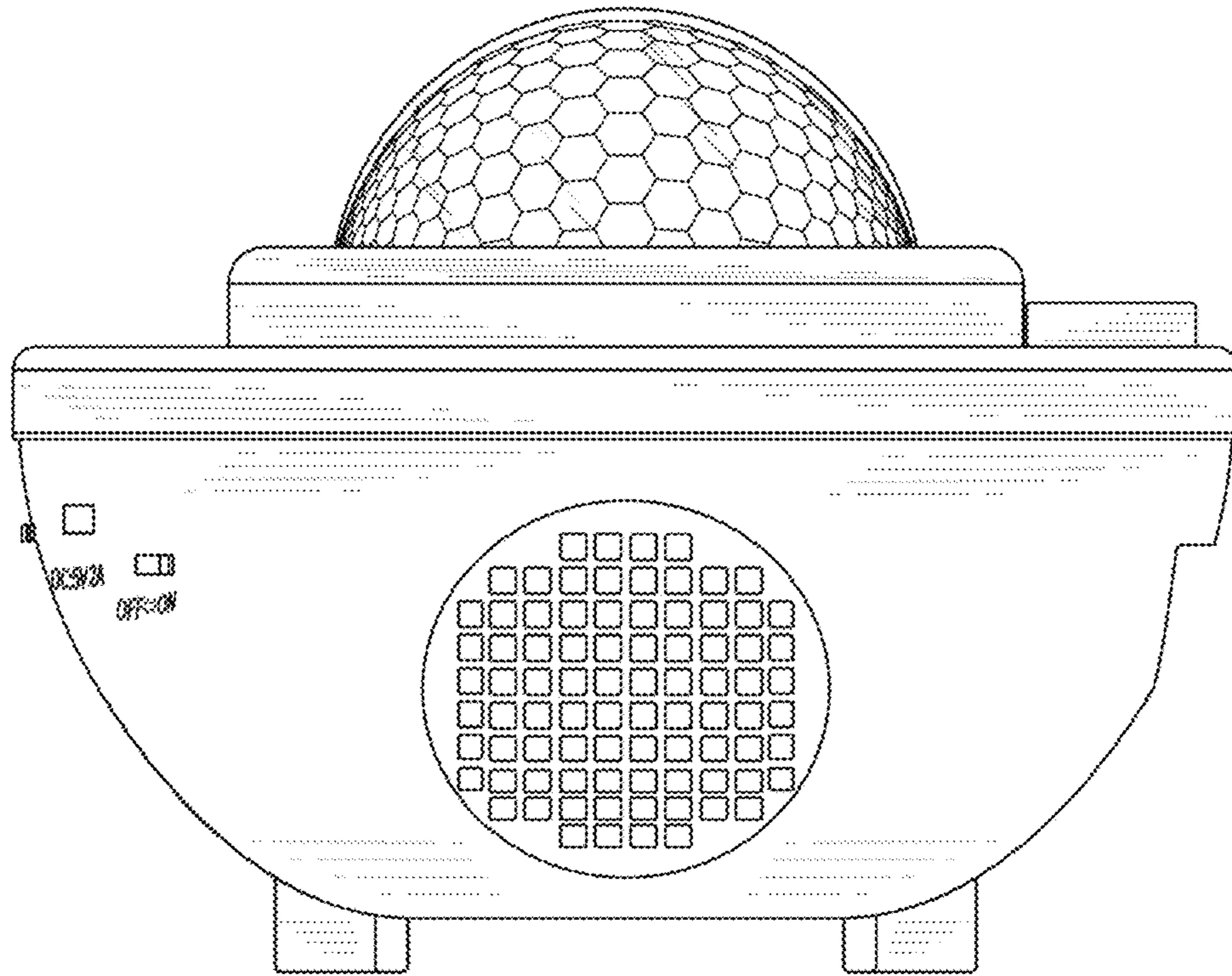


FIG.5

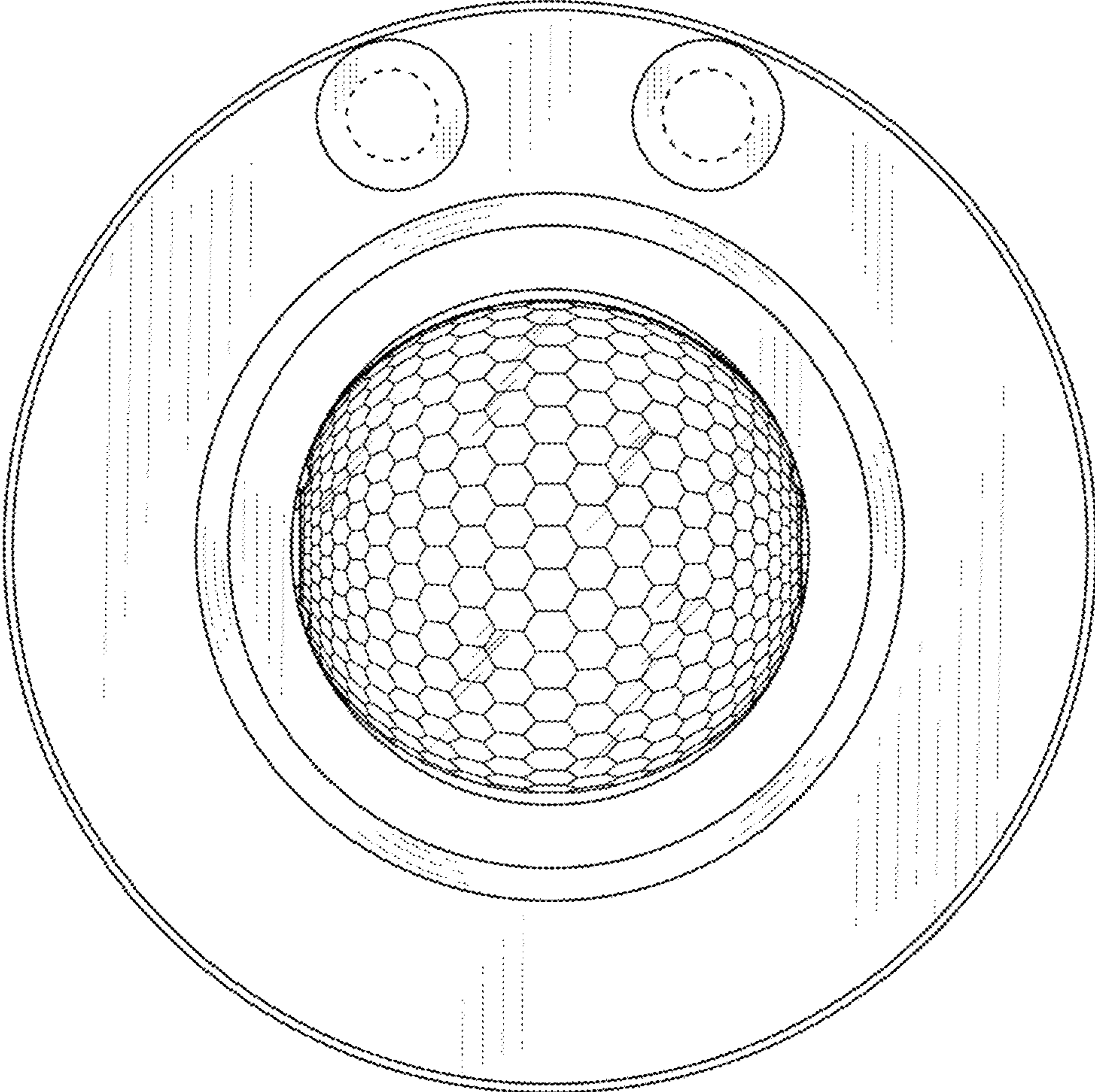


FIG.6

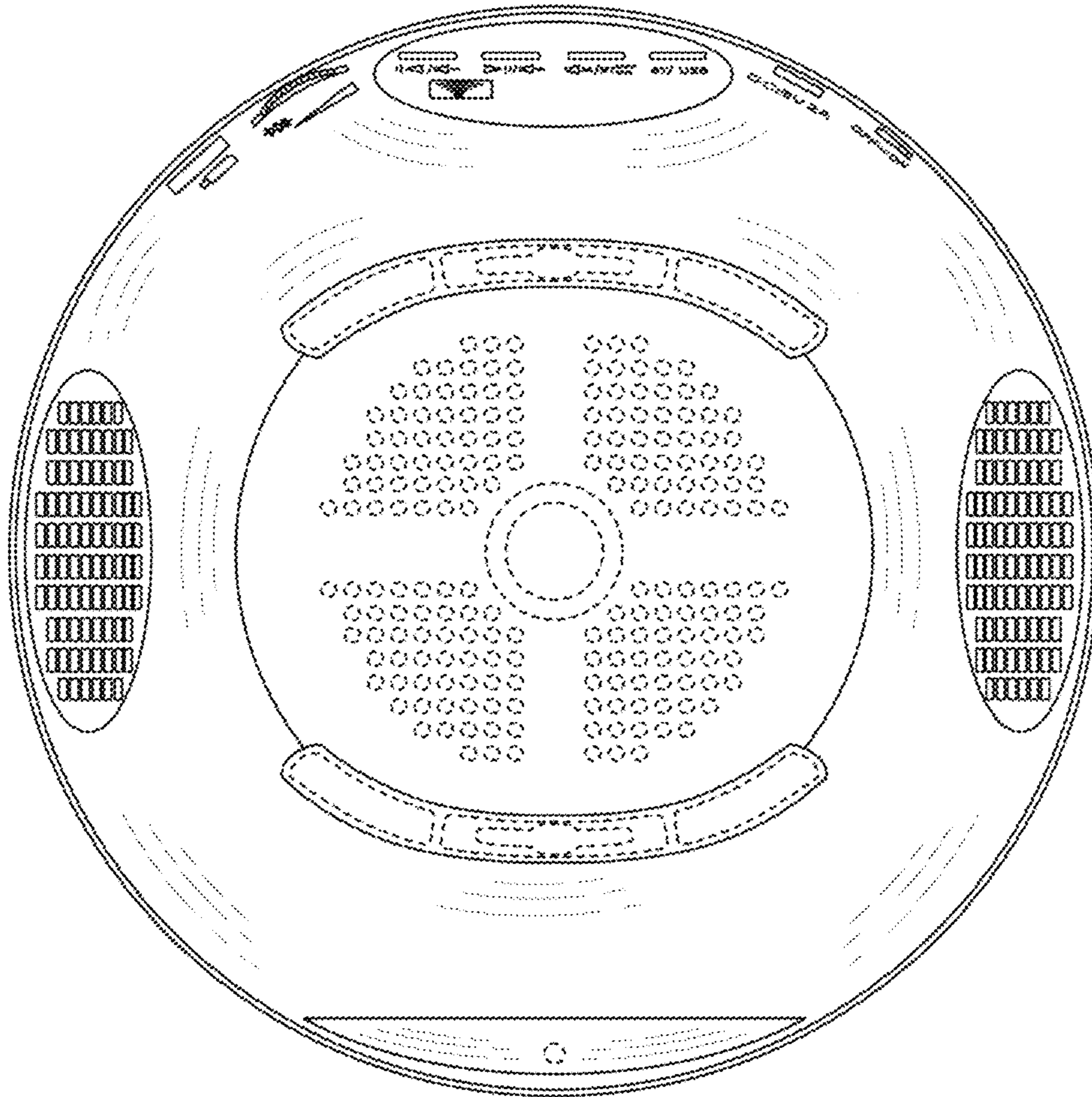


FIG. 7