



US00D972767S

(12) **United States Design Patent**
Park et al.

(10) **Patent No.:** **US D972,767 S**

(45) **Date of Patent:** **** *Dec. 13, 2022**

(54) **LIGHTING FIXTURE**

8/03; F21S 8/04; F21S 8/026; F21S
8/043; F21S 8/046; F21S 8/088

(71) Applicant: **SIGNIFY HOLDING B.V.**, Eindhoven
(NL)

See application file for complete search history.

(72) Inventors: **John Sungmin Park**, Medford, MA
(US); **Jonathan Stuart Levy**,
Watertown, MA (US); **Kwong Hung
Man**, Vancouver (CA); **Ryan Robert
James Gates**, Langley (CA);
Christopher Cameron McDonald,
Burnaby (CA); **Shao Fang Shannon
Chang**, North Vancouver (CA)

(56) **References Cited**

U.S. PATENT DOCUMENTS

D240,653 S *	7/1976	Eftekhar	D26/80
D464,457 S *	10/2002	Echito	D26/76
D635,707 S *	4/2011	Ng	D26/65
D649,695 S *	11/2011	Beausoleil	D26/142
D701,342 S *	3/2014	Novak	D26/75
D730,568 S *	5/2015	Mahowald	D26/118
D761,478 S *	7/2016	Ng	D26/80
D761,990 S *	7/2016	Ng	D26/80
D773,714 S *	12/2016	Sonneman	D26/84
D773,719 S *	12/2016	Sonneman	D26/90
D809,704 S *	2/2018	Klus	D26/142
D810,992 S *	2/2018	Ng	D26/88
D850,707 S *	6/2019	Tremaine	D26/138
D860,510 S *	9/2019	Greenberg	D26/88
D862,778 S *	10/2019	Antony	D26/118
D869,073 S *	12/2019	Trzcielinski	D26/138

(Continued)

Primary Examiner — Richard Kearney
Assistant Examiner — Benjamin M Weeks

(73) Assignee: **Signify Holding B.V.**, Eindhoven (NL)

(*) Notice: This patent is subject to a terminal dis-
claimer.

(**) Term: **15 Years**

(21) Appl. No.: **29/721,108**

(22) Filed: **Jan. 17, 2020**

(30) **Foreign Application Priority Data**

Jul. 17, 2019 (EM) 006633632-0004

(51) **LOC (13) Cl.** **26-04**

(52) **U.S. Cl.**
USPC **D26/76; D26/80**

(58) **Field of Classification Search**
USPC D26/142, 152, 113, 118, 119, 154, 61,
D26/62, 65, 75, 16, 1, 2, 3, 120, 138,
D26/128, 144, 121, 122, 64, 153, 155,
D26/140, 72, 76, 42, 46, 49, 67, 79, 80,
D26/81, 82, 106
CPC F21Y 2101/02; F21Y 2103/003; F21Y
2103/00; F21Y 2101/00; F21Y 2101/10;
F21Y 2101/20; F21Y 2105/00; F21Y
2105/10; F21Y 2105/16; F21Y 2105/18;
F21K 9/17; F21S 4/008; F21S 8/00; F21S

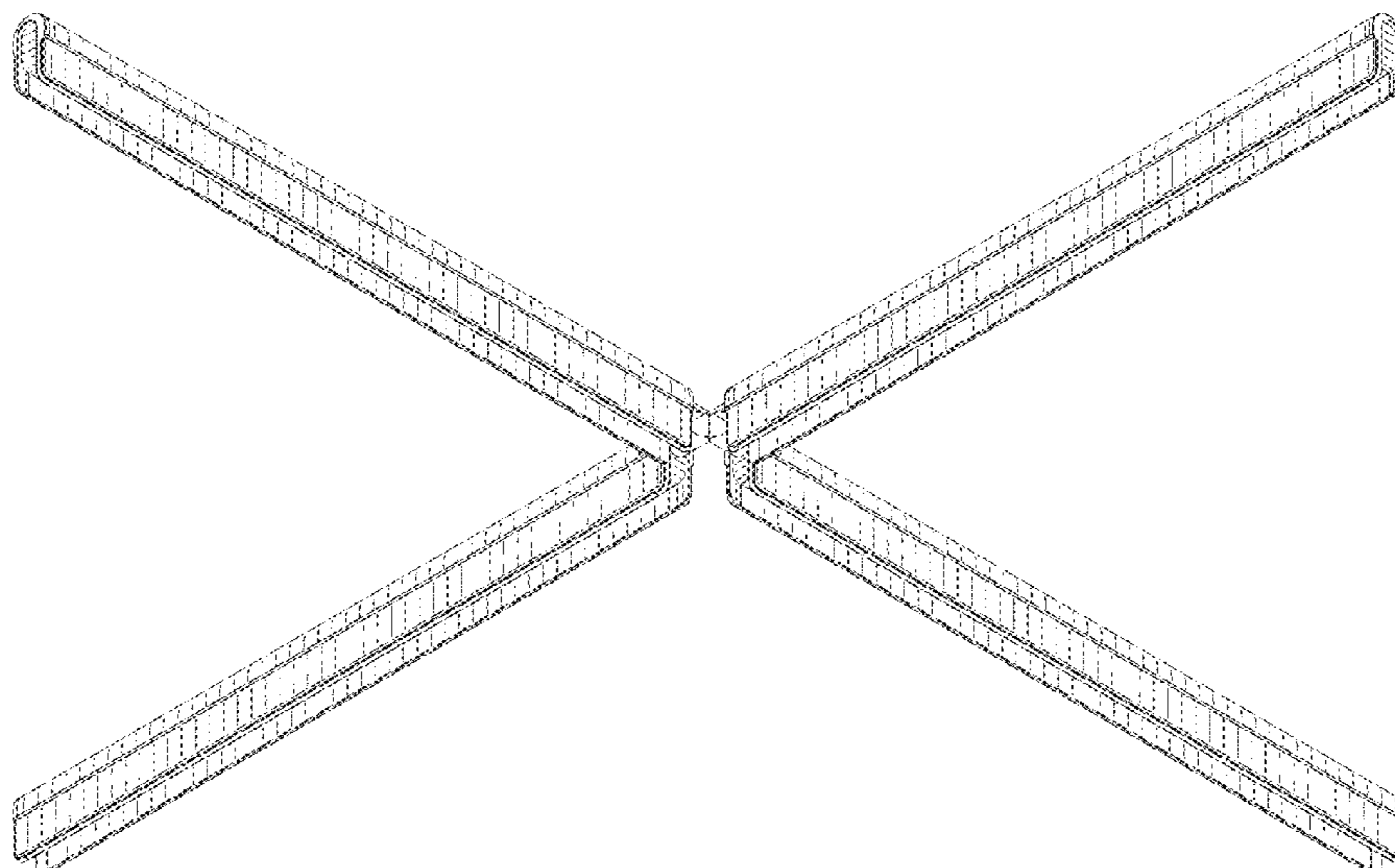
(57) **CLAIM**

The ornamental design for a “lighting fixture,” as shown and
described.

DESCRIPTION

FIG. 1 is a perspective view of a lighting fixture showing my
new design;
FIG. 2 is a second perspective view thereof;
FIG. 3 is a rear elevational view thereof;
FIG. 4 is a front elevational view thereof;
FIG. 5 is a left side elevational view thereof;
FIG. 6 is a right side elevational view thereof;
FIG. 7 is a top plan view thereof; and,
FIG. 8 is a bottom plan view thereof.

1 Claim, 5 Drawing Sheets



(56)

References Cited

U.S. PATENT DOCUMENTS

D872,931 S *	1/2020	Tremaine	D26/138
D876,702 S *	2/2020	Genovese	D26/90
D890,983 S *	7/2020	Roys	D26/142
D891,688 S *	7/2020	Tremaine	D26/138
D906,581 S *	12/2020	Trzcieliski	D26/138
D916,359 S *	4/2021	Roys	D26/138
D917,760 S *	4/2021	Lissoni	D26/90
D921,269 S *	6/2021	Mier-Langner	D26/76
11,022,282 B2 *	6/2021	Roys	F21V 19/004

* cited by examiner

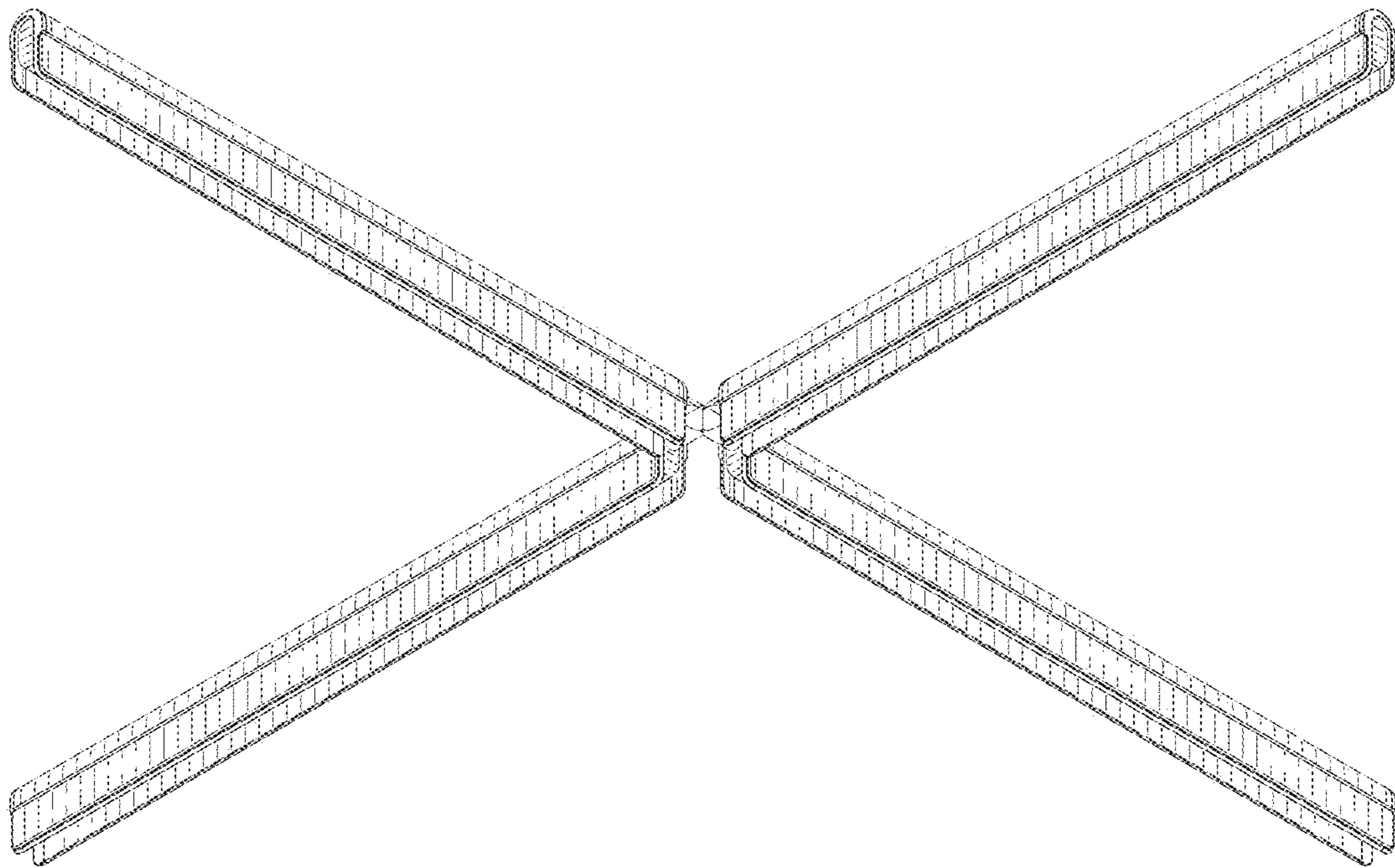


FIG. 1

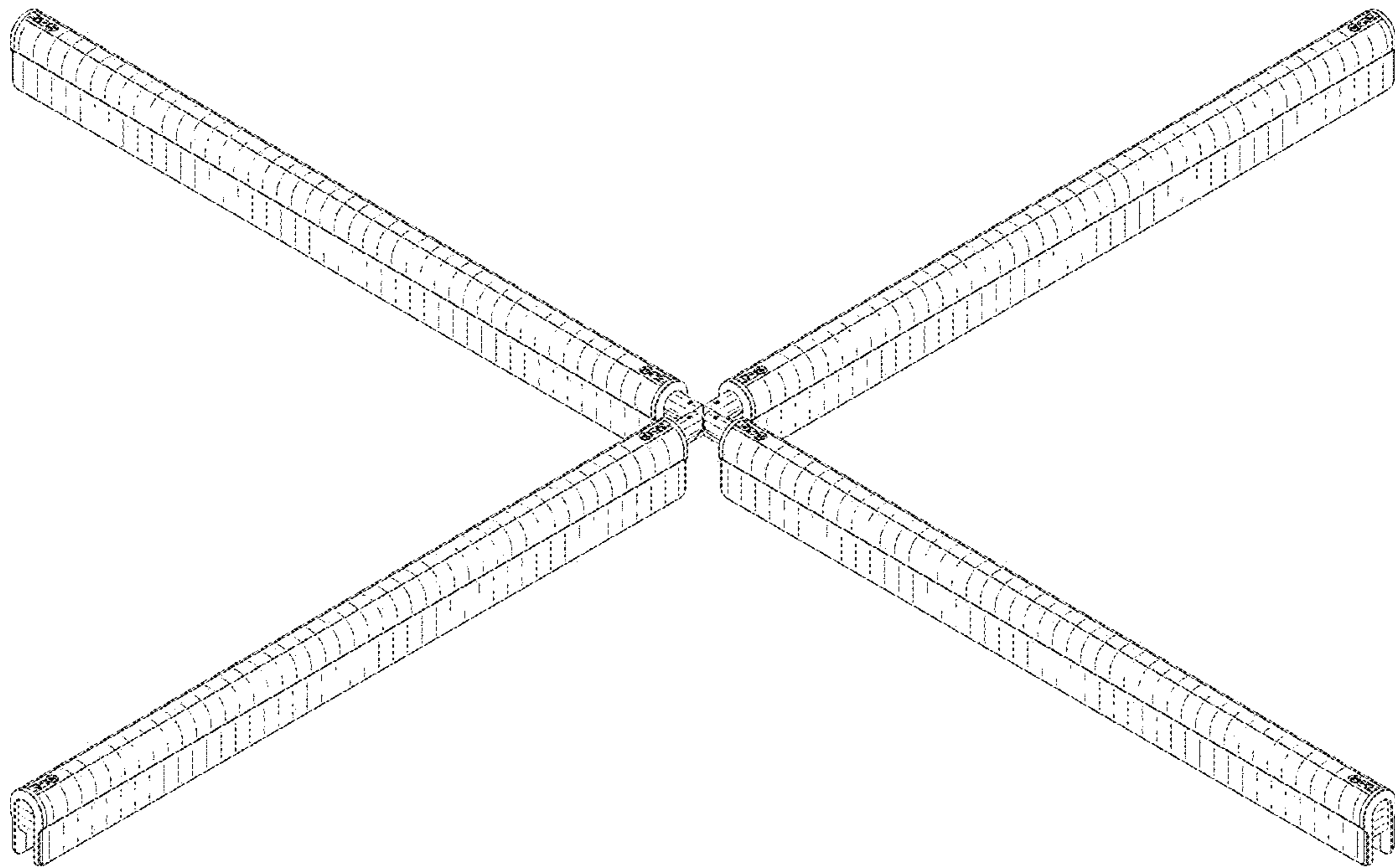


FIG. 2



FIG. 3



FIG. 4



FIG. 5



FIG. 6

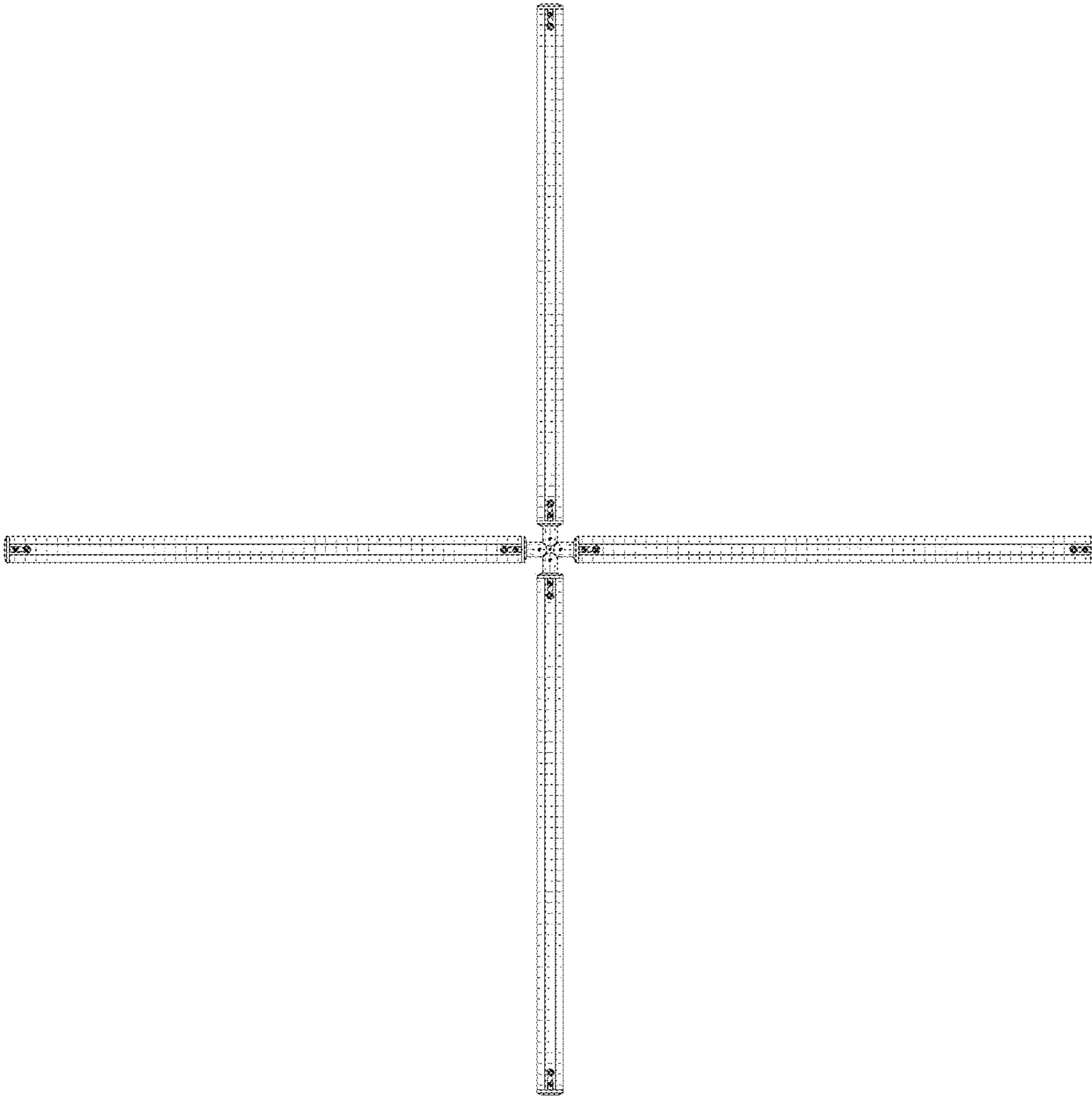


FIG. 7

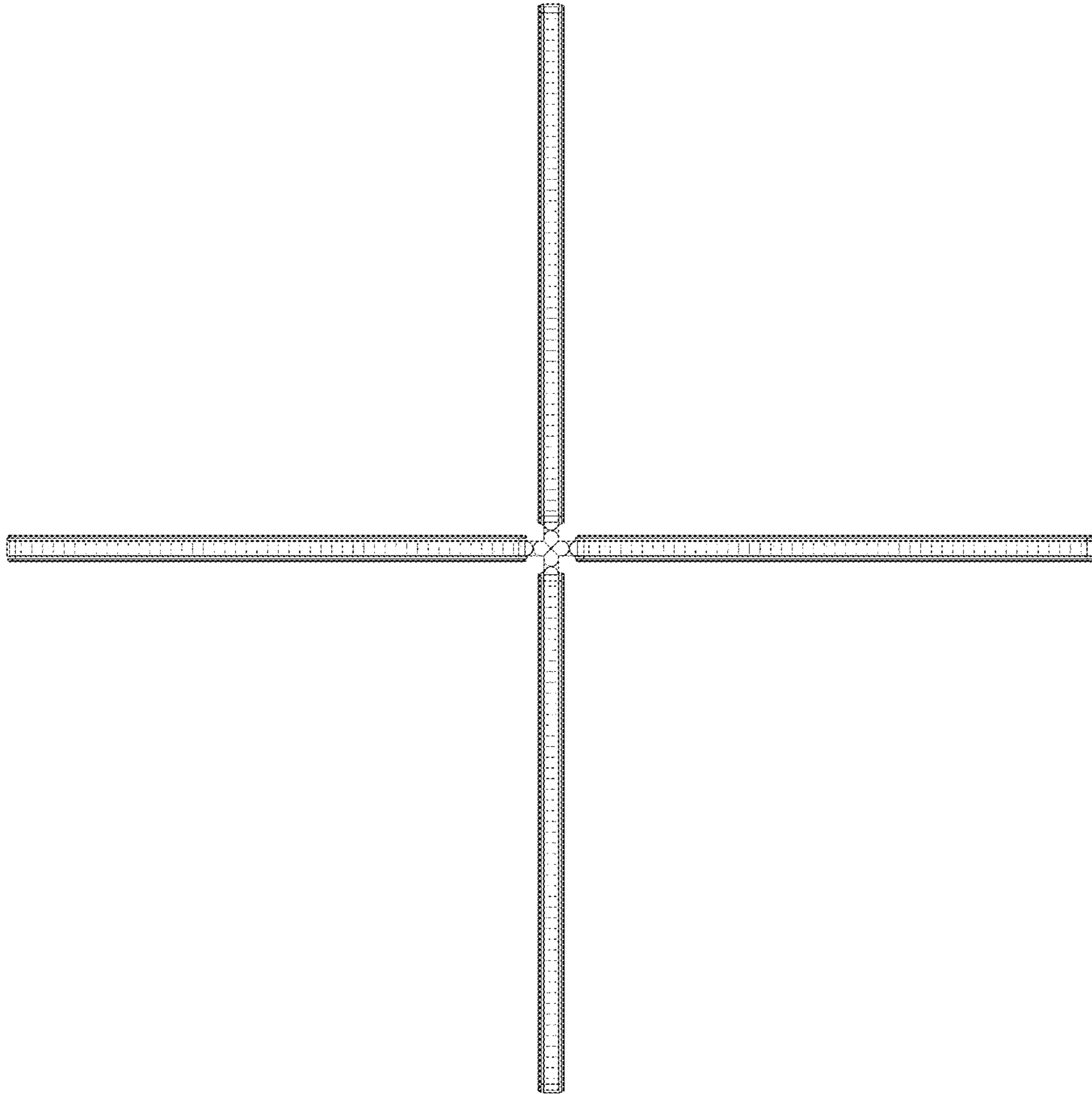


FIG. 8