



US00D972763S

(12) **United States Design Patent**
Yin

(10) **Patent No.:** **US D972,763 S**
(45) **Date of Patent:** **** Dec. 13, 2022**

(54) **SOLAR LIGHT**

(71) Applicant: **Shenzhen Jiahongjing Technology Co., Ltd., Shenzhen (CN)**

(72) Inventor: **Zhongci Yin, Shenzhen (CN)**

(**) Term: **15 Years**

(21) Appl. No.: **29/771,557**

(22) Filed: **Feb. 24, 2021**

(30) **Foreign Application Priority Data**

Feb. 4, 2021 (CN) 202130081456.6

(51) **LOC (13) Cl.** **25-03**

(52) **U.S. Cl.**
USPC **D26/67**

(58) **Field of Classification Search**
USPC D26/67-70, 72, 74, 85
CPC F21S 8/081; F21S 8/083; F21S 9/03; F21S 9/032; F21S 9/035; F21V 21/0824; F21W 2111/02; F21W 2111/023; F21W 2131/109

See application file for complete search history.

(56) **References Cited**

U.S. PATENT DOCUMENTS

D483,904 S *	12/2003	Skradski	D26/152
D574,104 S *	7/2008	Sanoner	D26/67
D698,061 S *	1/2014	Burke	D26/67
D752,798 S *	3/2016	Righetto	D26/70
D822,253 S *	7/2018	Wu	D26/68
D841,873 S *	2/2019	Hollinger	D26/118
D864,452 S *	10/2019	Wei	D26/67
D866,839 S *	11/2019	Yan	D26/67
10,619,810 B1 *	4/2020	Hwang	F21V 3/00
D885,631 S *	5/2020	Li	D26/67
D905,313 S *	12/2020	Liao	D26/67
D905,887 S *	12/2020	Li	D26/67
D905,888 S *	12/2020	Li	D26/67
D925,803 S *	7/2021	Zhong	D26/67

D930,216 S *	9/2021	He	D26/67
11,333,333 B1 *	5/2022	Hwang	F21V 21/0824
D954,325 S *	6/2022	Liao	D26/67

(Continued)

OTHER PUBLICATIONS

Ansody, Solar Powered Ground Light. First available Oct. 8, 2021. Searched Jul. 7, 2022. [https://www.amazon.com/Ansody-Waterproof-Lighting-Landscape-Decoration/dp/B097SFK1S1/] (Year: 2021).*

Primary Examiner — Samantha Q Lawrence
Assistant Examiner — Melissa Adriane Santos
(74) *Attorney, Agent, or Firm* — Rumit R. Kanakia

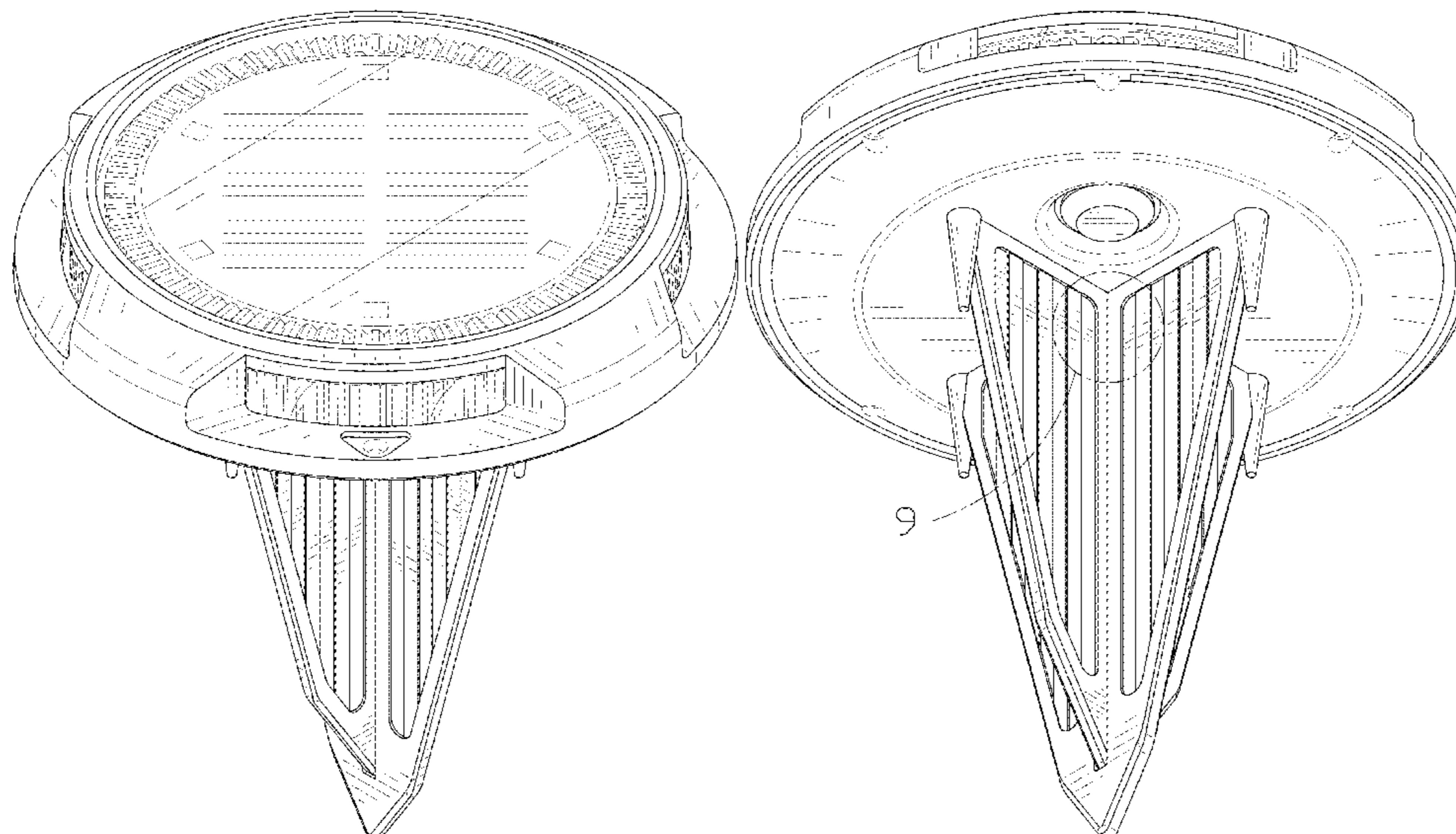
(57) **CLAIM**

The ornamental design for a solar light, as shown and described.

DESCRIPTION

FIG. 1 is a first perspective view of a solar light showing my new design;
FIG. 2 is a second perspective view thereof;
FIG. 3 is a front view thereof;
FIG. 4 is a back view thereof;
FIG. 5 is a left side view thereof;
FIG. 6 is a right side view thereof;
FIG. 7 is atop view thereof;
FIG. 8 is a bottom view thereof; and,
FIG. 9 is an enlarged view of the selected portion in FIG. 2. The broken lines shown in the drawings illustrate portions of the solar light that form no part of the claimed design. The dash-dot-dash lines in FIGS. 2 and 9 represent the boundaries of the enlarged view and form no part of the claimed design.

1 Claim, 9 Drawing Sheets



(56)

References Cited

U.S. PATENT DOCUMENTS

D954,640 S * 6/2022 Zhu D13/102
2019/0128486 A1 * 5/2019 Hollinger F21S 9/037

OTHER PUBLICATIONS

AsperX, Solar Ground Light. First available Jan. 12, 2022. Searched Jul. 7, 2022. [<https://www.amazon.com/AsperX-Waterproof-Ground-Landscape-Driveway/dp/B09Q83FHZV/>] (Year: 2022).*

GrePro, Solar Ground Light. First available Jun. 25, 2021. Searched Jul. 7, 2022. [<https://www.amazon.com/Waterproof-Outdoor-Landscape-Lighting-Driveway/dp/B097Y1NLHY/>] (Year: 2021).*

Molice, Solar Ground Light. First available Sep. 1, 2020. Searched Jul. 7, 2022. [<https://www.amazon.com/Waterproof-Outdoor-Landscape-Lighting-Walkway-White/dp/B08H54BR38/>] (Year: 2020).*

* cited by examiner

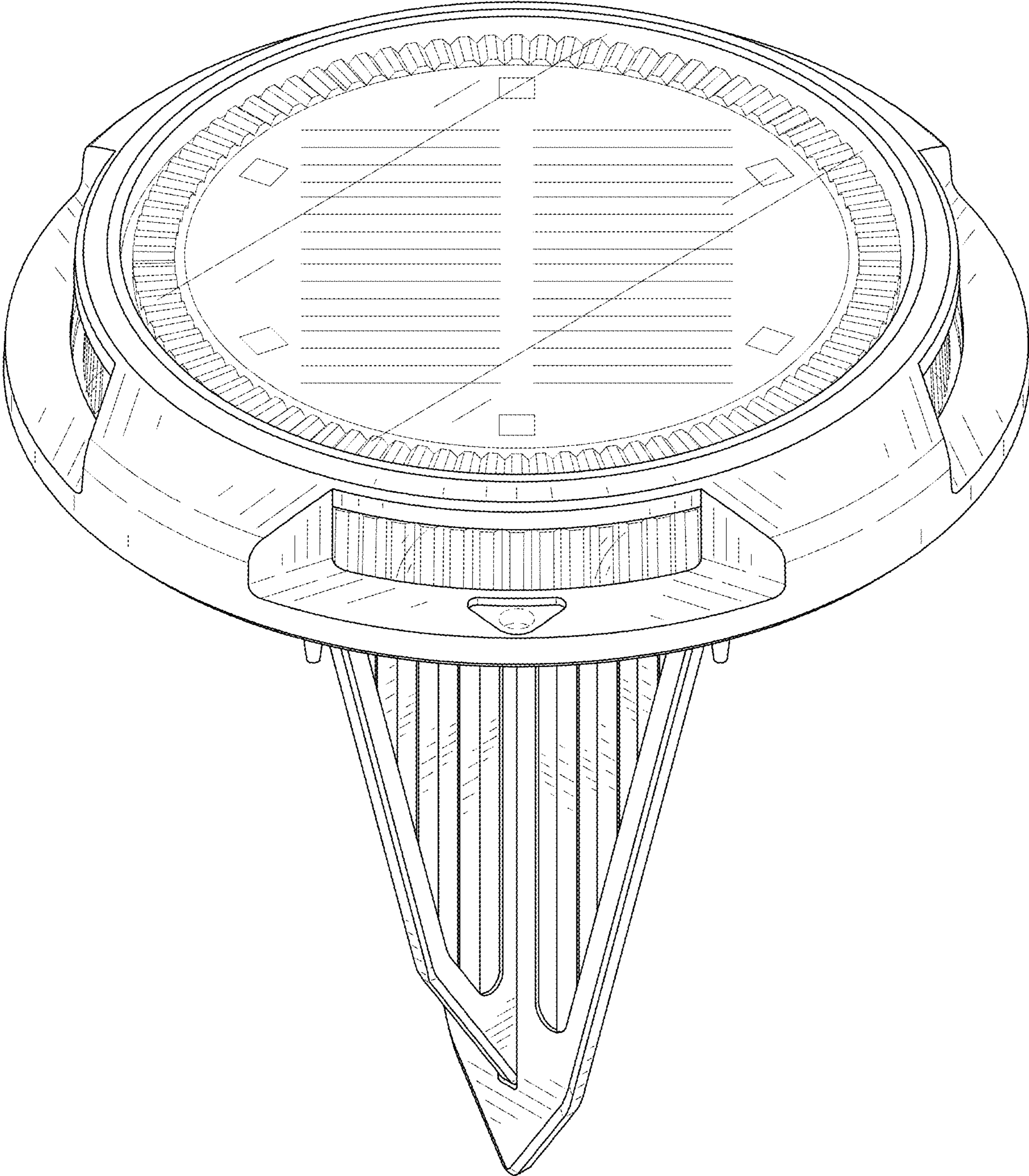


FIG. 1

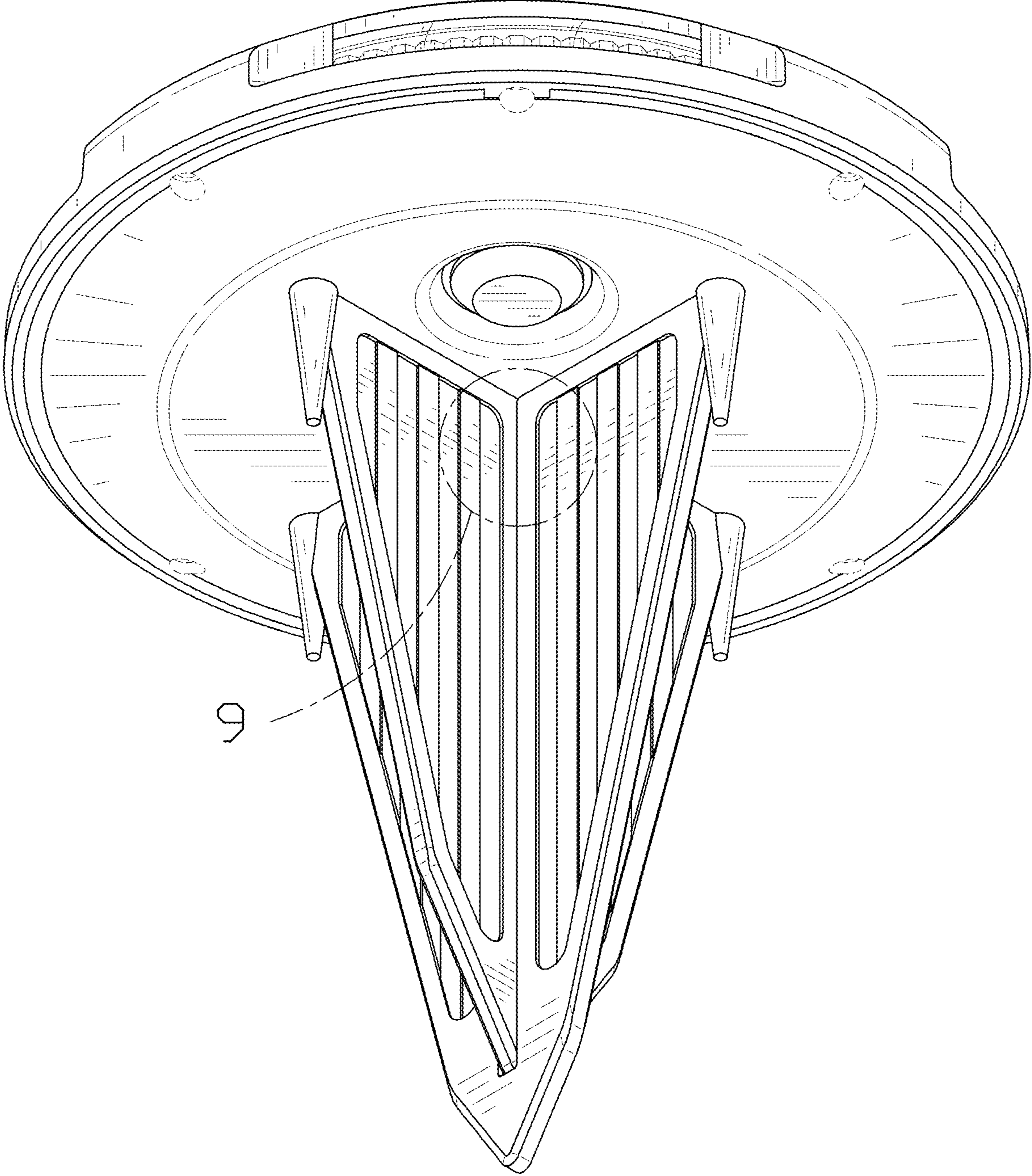


FIG. 2

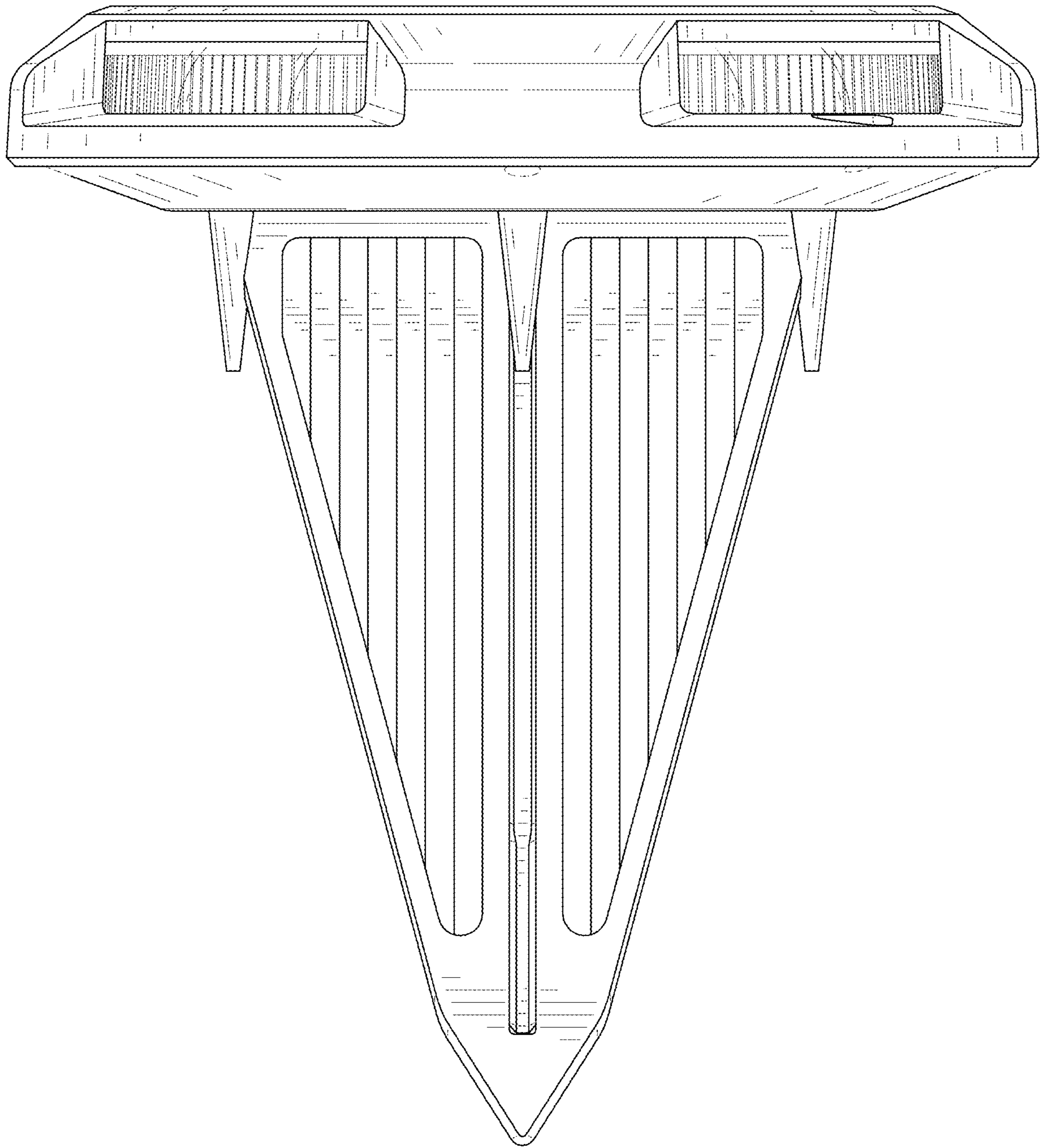


FIG. 3

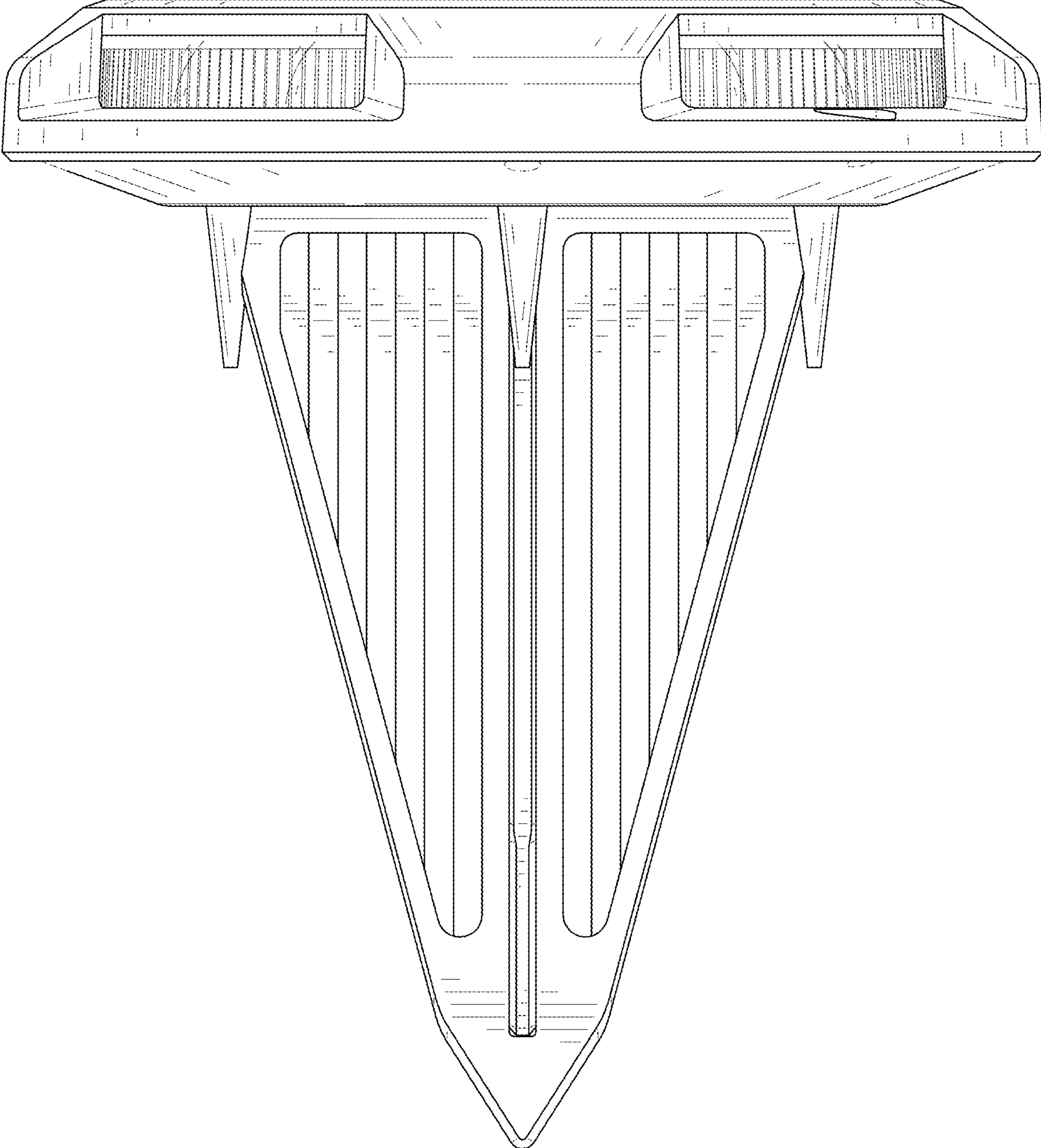


FIG. 4

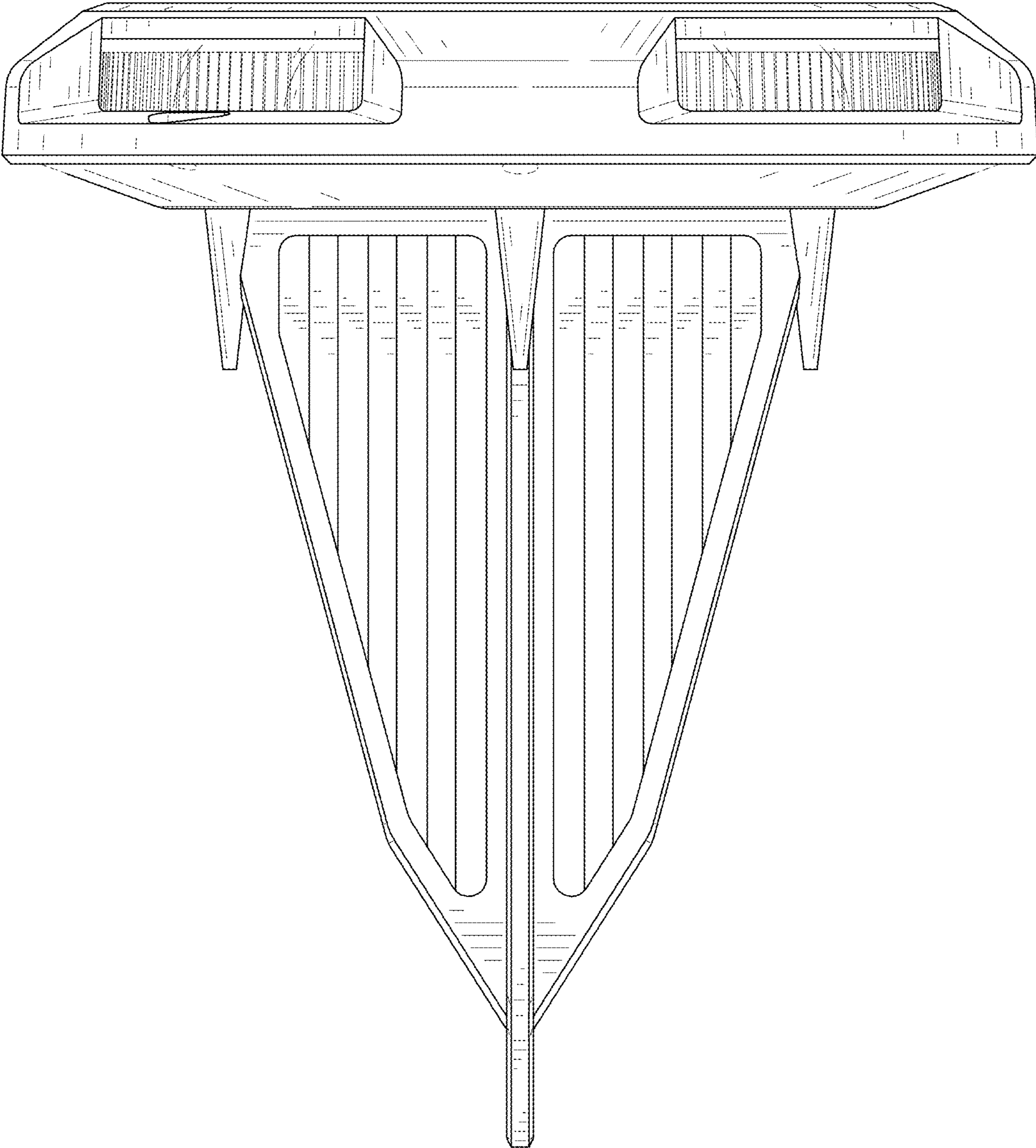


FIG. 5

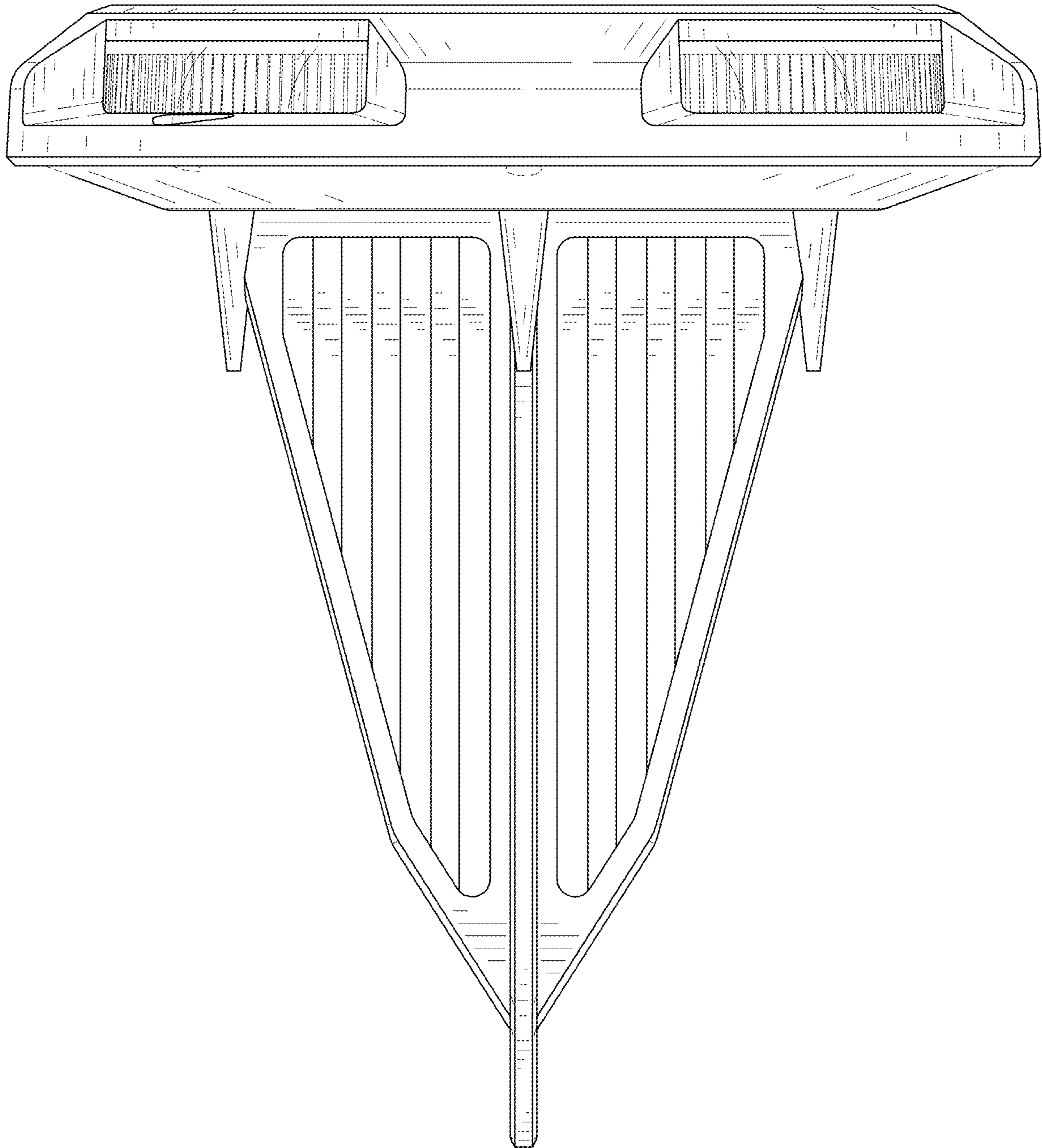


FIG. 6

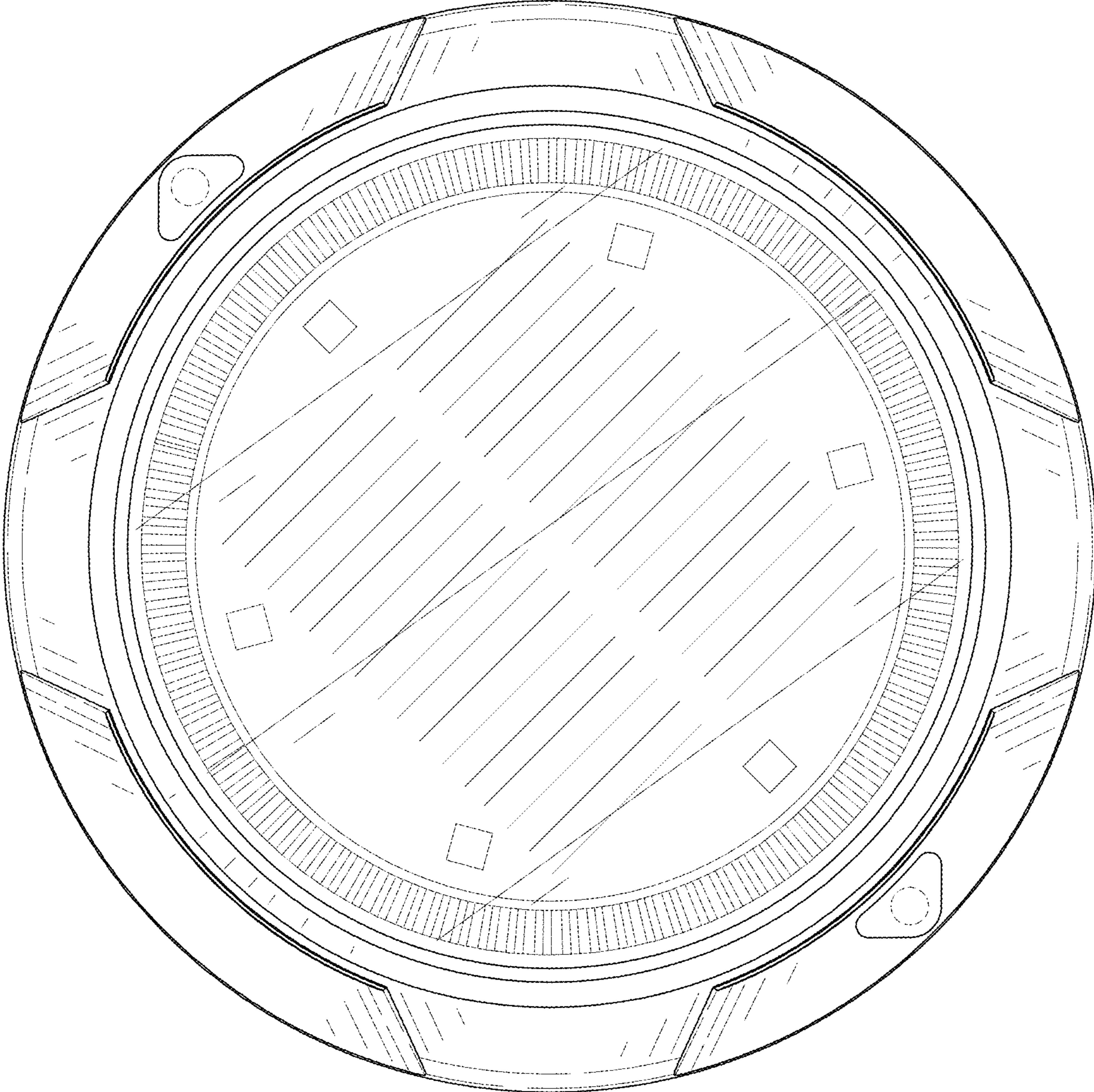


FIG. 7

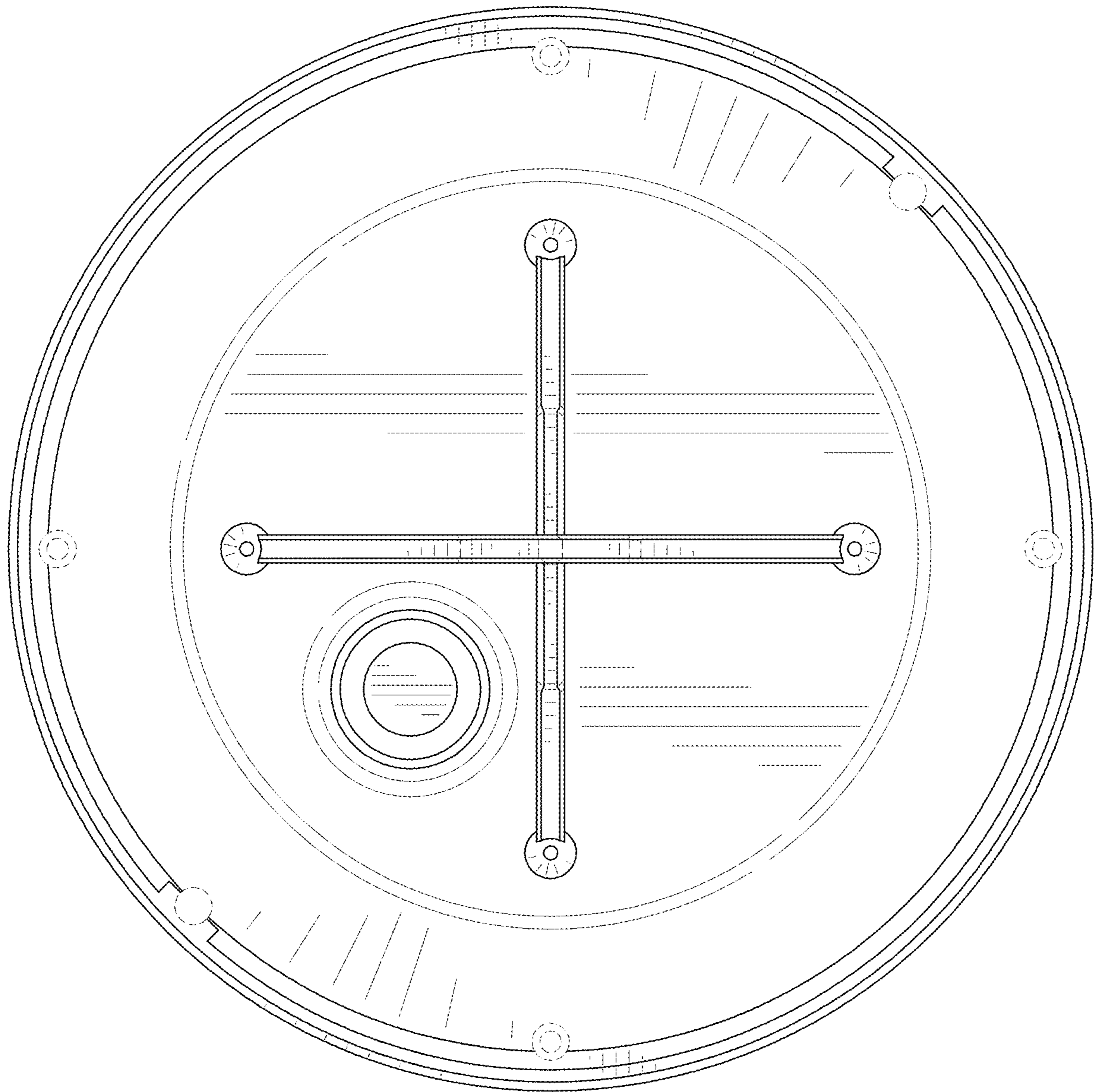


FIG. 8

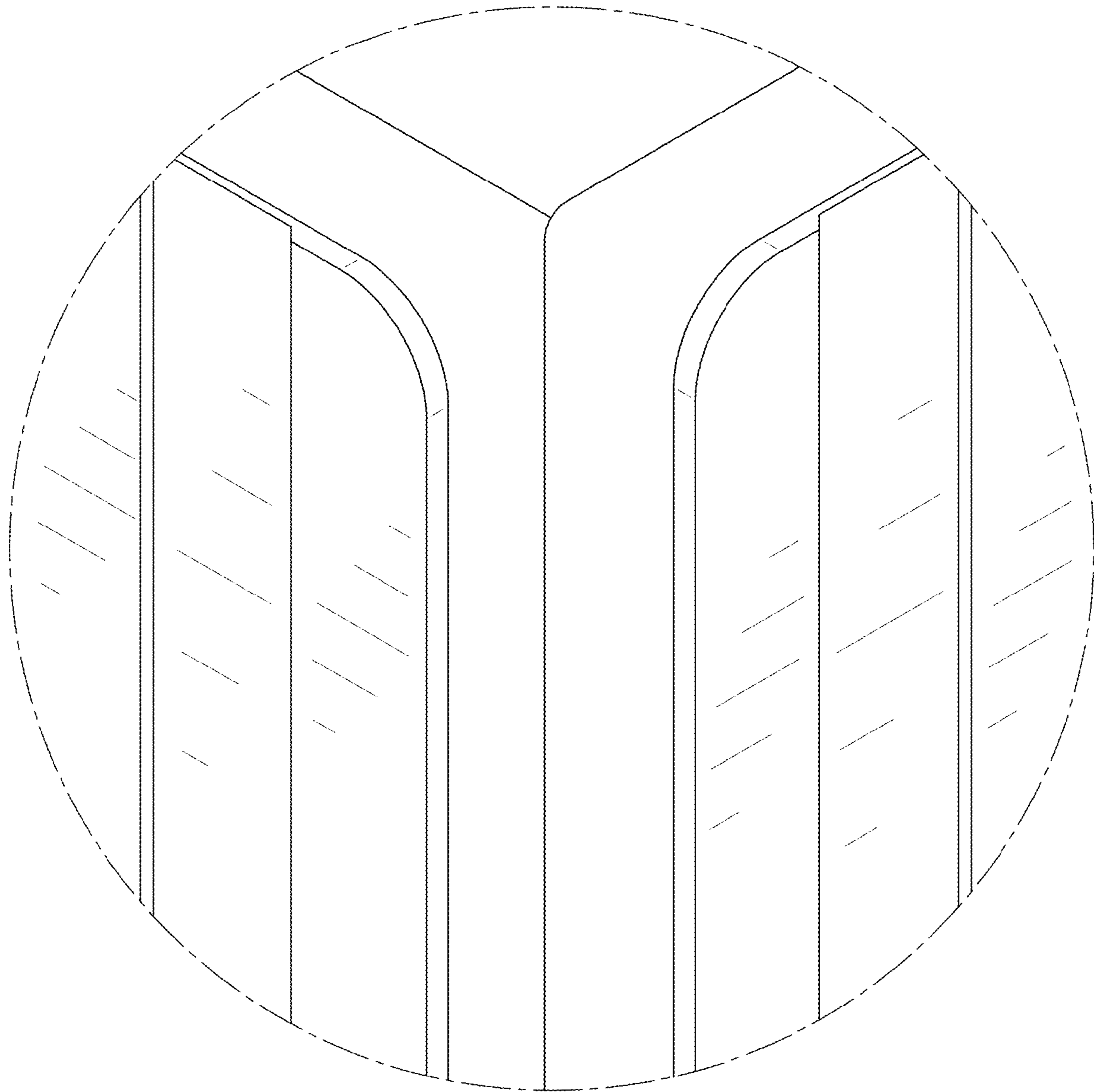


FIG. 9