

US00D972762S

(12) **United States Design Patent**
Qiu

(10) **Patent No.:** **US D972,762 S**

(45) **Date of Patent:** **** Dec. 13, 2022**

(54) **SOLAR GROUND LAMP**

(71) Applicant: **Lin Qiu, Jiangxi (CN)**

(72) Inventor: **Lin Qiu, Jiangxi (CN)**

(**) Term: **15 Years**

(21) Appl. No.: **29/754,844**

(22) Filed: **Oct. 15, 2020**

(51) **LOC (13) Cl.** **25-03**

(52) **U.S. Cl.**
USPC **D26/67**

(58) **Field of Classification Search**
USPC D26/67-70, 72, 74, 85
CPC F21S 8/081; F21S 8/083; F21S 9/03; F21S
9/032; F21S 9/035; F21V 21/0824; F21W
2111/02; F21W 2111/023; F21W
2131/109

See application file for complete search history.

(56) **References Cited**

U.S. PATENT DOCUMENTS

2,557,165	A *	6/1951	Wyatt	B64F 1/20 362/376
D306,073	S *	2/1990	Klitsner	D21/468
D418,935	S *	1/2000	Gilbert	D26/68
D806,933	S *	1/2018	Hui	D26/102
D822,253	S *	7/2018	Wu	D26/68
D824,565	S *	7/2018	Tsai	D26/73
D827,900	S *	9/2018	Zhang	D26/68
10,079,504	B2 *	9/2018	Hui	H02S 40/38
D854,213	S *	7/2019	Ji	D26/63
D877,736	S *	3/2020	Ouyang	D14/240
D881,436	S *	4/2020	Yan	D26/67
D898,974	S *	10/2020	Hollinger	D26/73
D905,890	S *	12/2020	Liu	D26/74
D925,091	S *	7/2021	Zhong	D26/67

D938,084	S *	12/2021	Hollinger	D26/73
D942,662	S *	2/2022	Wang	D10/113.1
D945,672	S *	3/2022	Tsai	D26/67
D952,225	S *	5/2022	Liao	D26/67
11,333,333	B1 *	5/2022	Hwang	F21V 21/0824
2017/0159927	A1 *	6/2017	Hui	F21V 31/00

OTHER PUBLICATIONS

Navani, Solar Ground Lights. First available Sep. 3, 2021. Searched on Jul. 8, 2022. [https://www.amazon.com/Navani-Waterproof-Petal-Shaped-Decorations-Patio-Warm/dp/B09FDWBQFK/] (Year: 2021).*
Morease, Solar Ground Light. First available unknown. Searched on Jul. 8, 2022. [https://www.walmart.com/ip/1Pack-Solar-Ground-Lights-Bright-12-LED-Garden-Lights-Outdoor-Multi-Color-Disk-Waterproof-In-Ground-Outdoor-Landscape-Lighting-Lawn-Patio-Pathway-Yar/322198346] (Year: 2022).*

(Continued)

Primary Examiner — Samantha Q Lawrence
Assistant Examiner — Melissa Adriane Santos

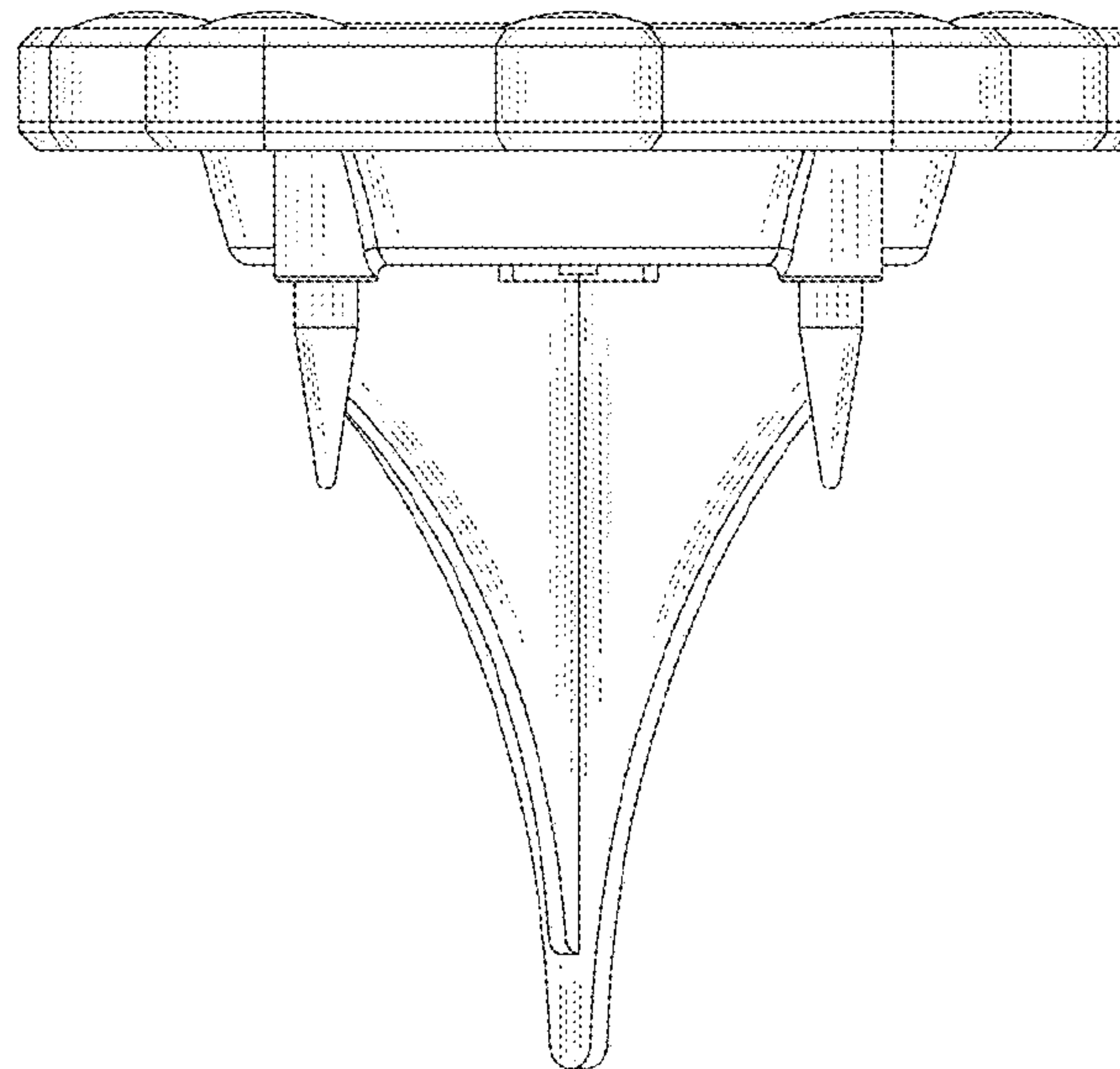
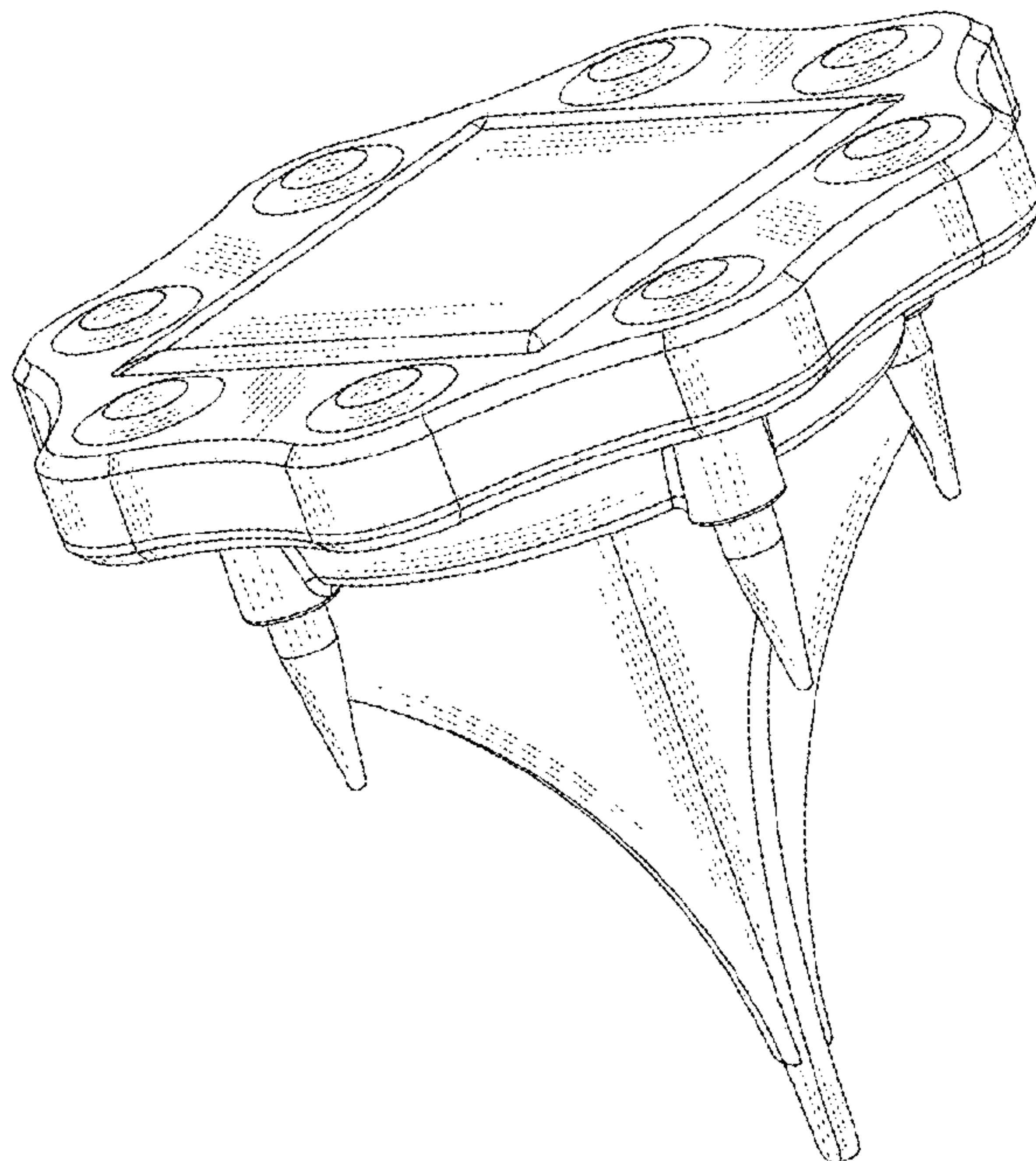
(57) **CLAIM**

The ornamental design for a solar ground lamp, as shown and described.

DESCRIPTION

FIG. 1 is a perspective view of a solar ground lamp showing my new design;
FIG. 2 is a front elevational view thereof;
FIG. 3 is a rear elevational view thereof;
FIG. 4 is a left side elevational view thereof;
FIG. 5 is a right side elevational view thereof;
FIG. 6 is a top plan view thereof;
FIG. 7 is a bottom plan view thereof; and,
FIG. 8 is a rear side perspective view thereof.
The broken lines in the drawings depict portions of the solar ground lamp that form no part of the claimed design.

1 Claim, 8 Drawing Sheets



(56)

References Cited

OTHER PUBLICATIONS

Duztion Machinehome, Garden Light. First available unknown. Searched on Jul. 8, 2022. [<https://www.walmart.com/ip/Machinehome-Garden-Light-LED-Solar-Power-Pathway-Lamp-Lawn-Spike-Light-Walkway-Landscape-Lighting-for-Outdoor-Flower/351039813>] (Year: 2022).*

Unirence , Solar Ground Lights. First available unknown. Searched on Jul. 8, 2022. [<https://www.amazon.com/Outdoor-Waterproof-Landscape-Lighting-Pathway/dp/B09VPHMV46/>] (Year: 2022).*

* cited by examiner

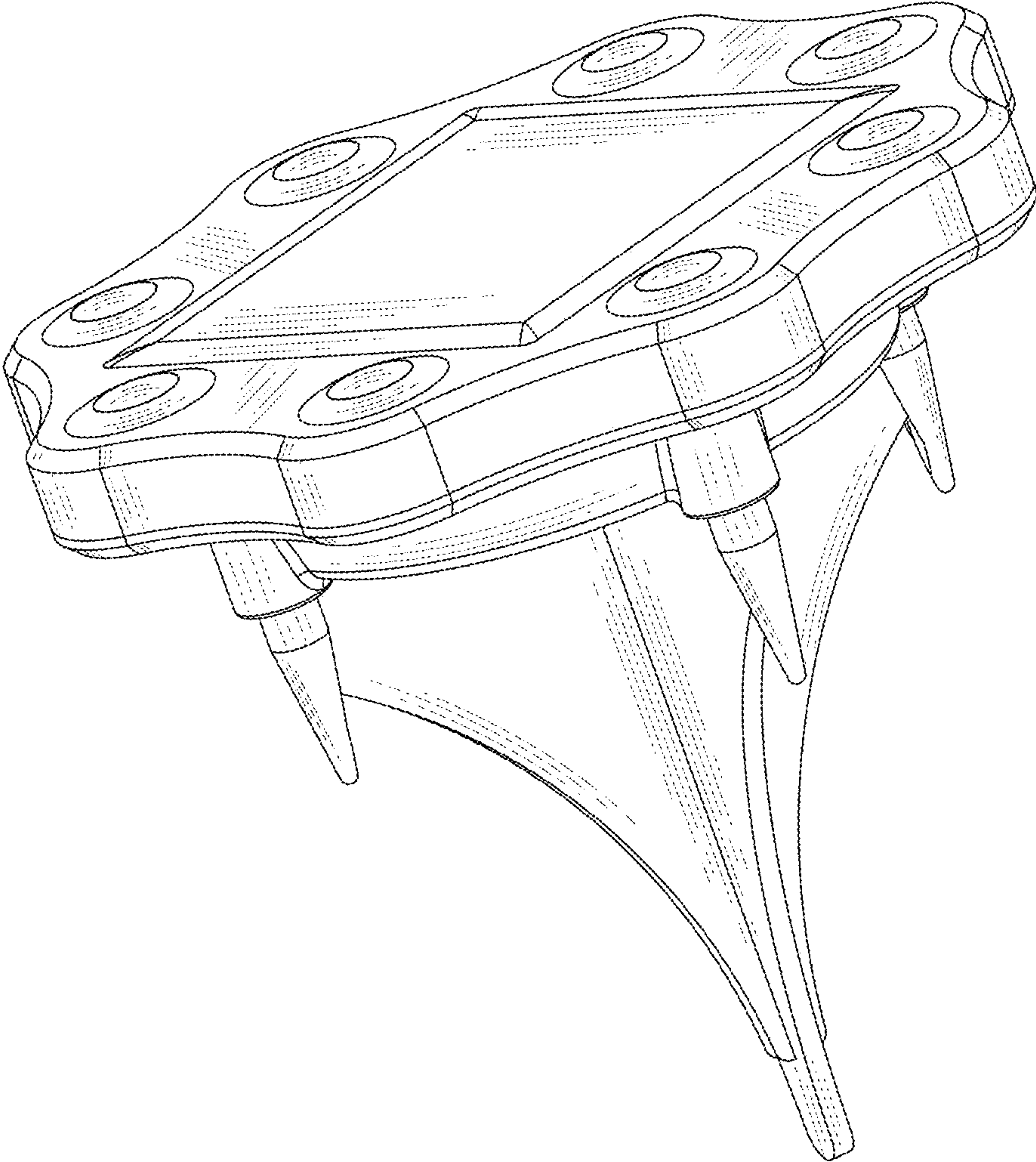


FIG. 1

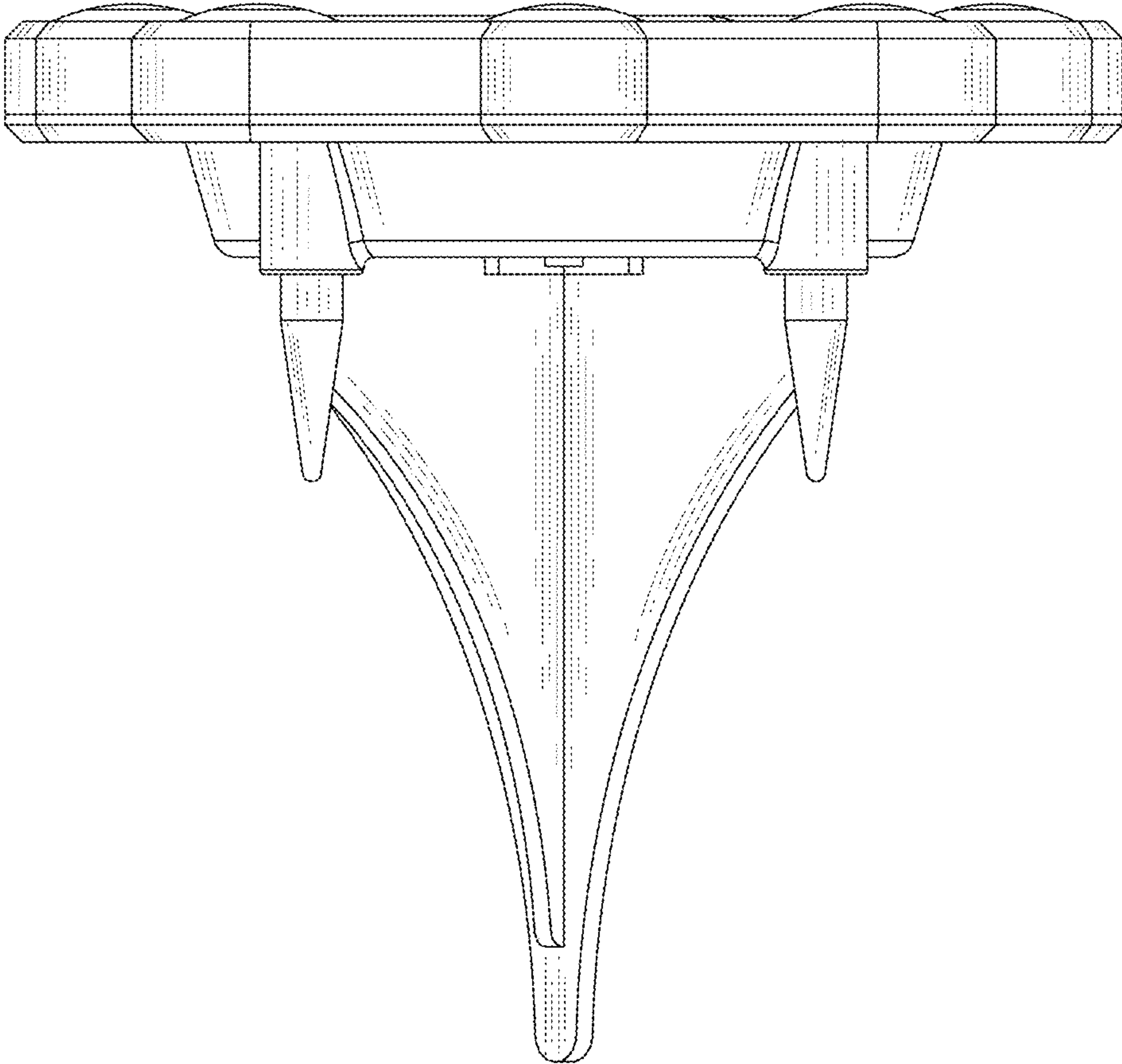


FIG. 2

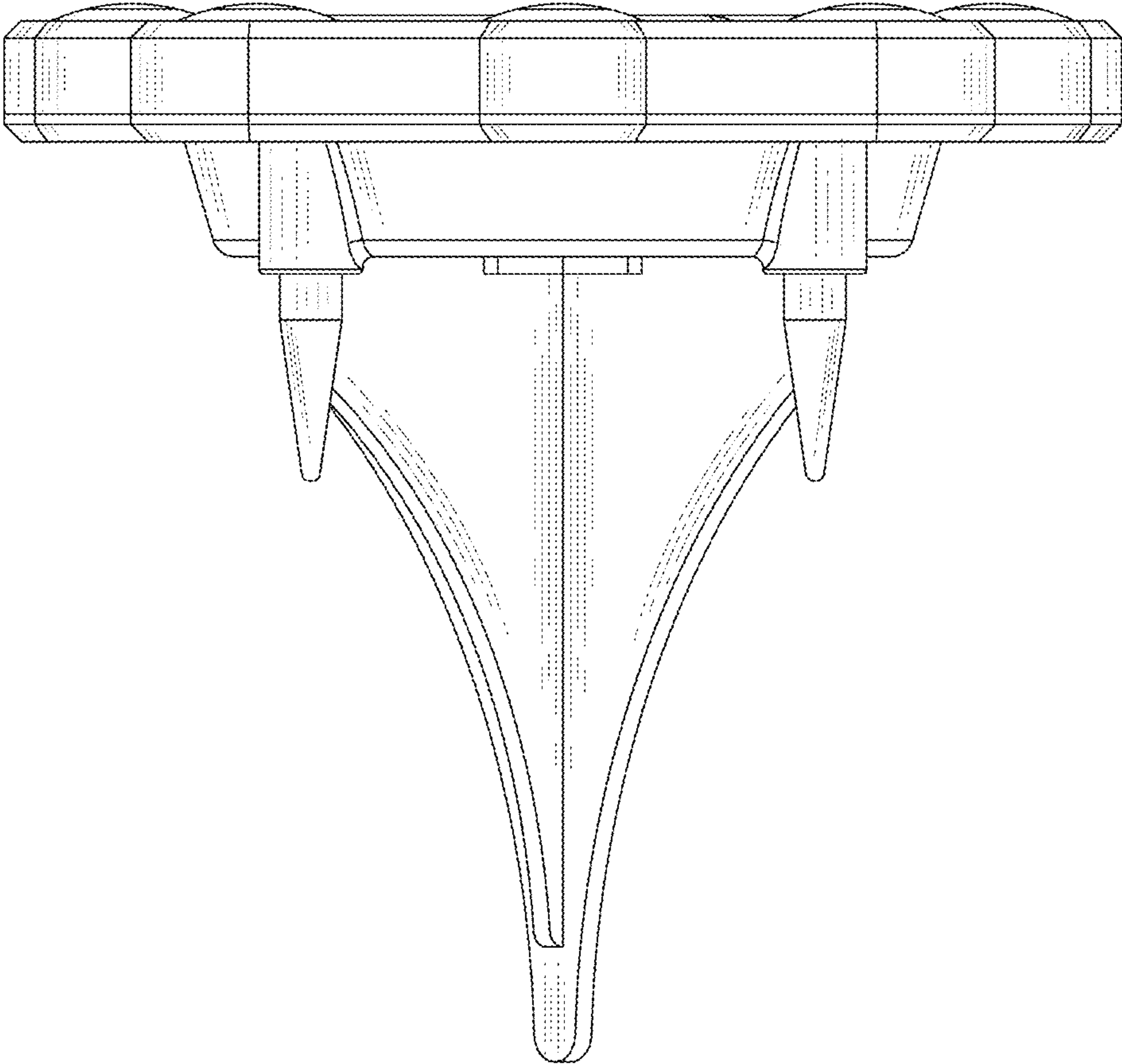


FIG. 3

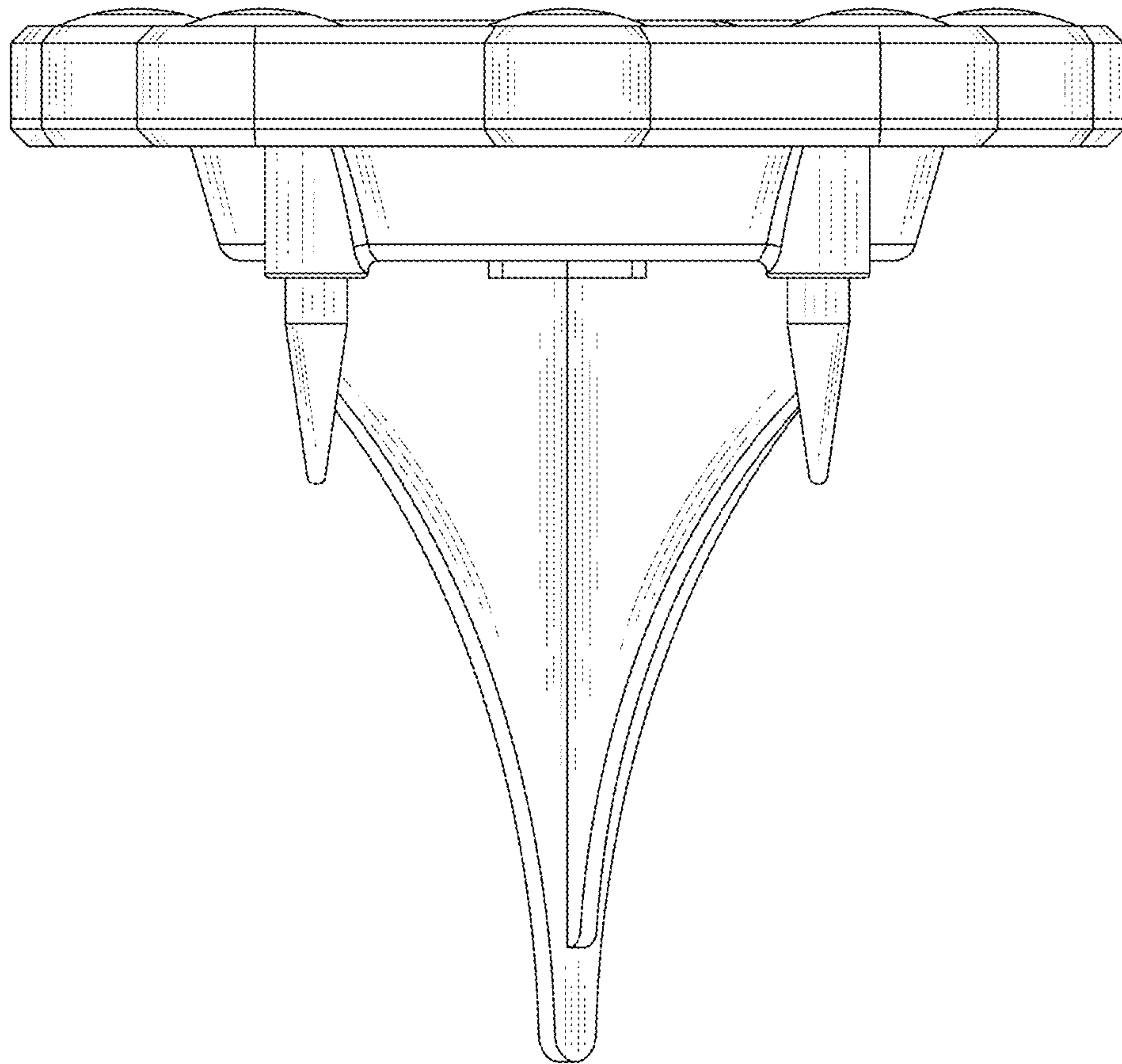


FIG. 4

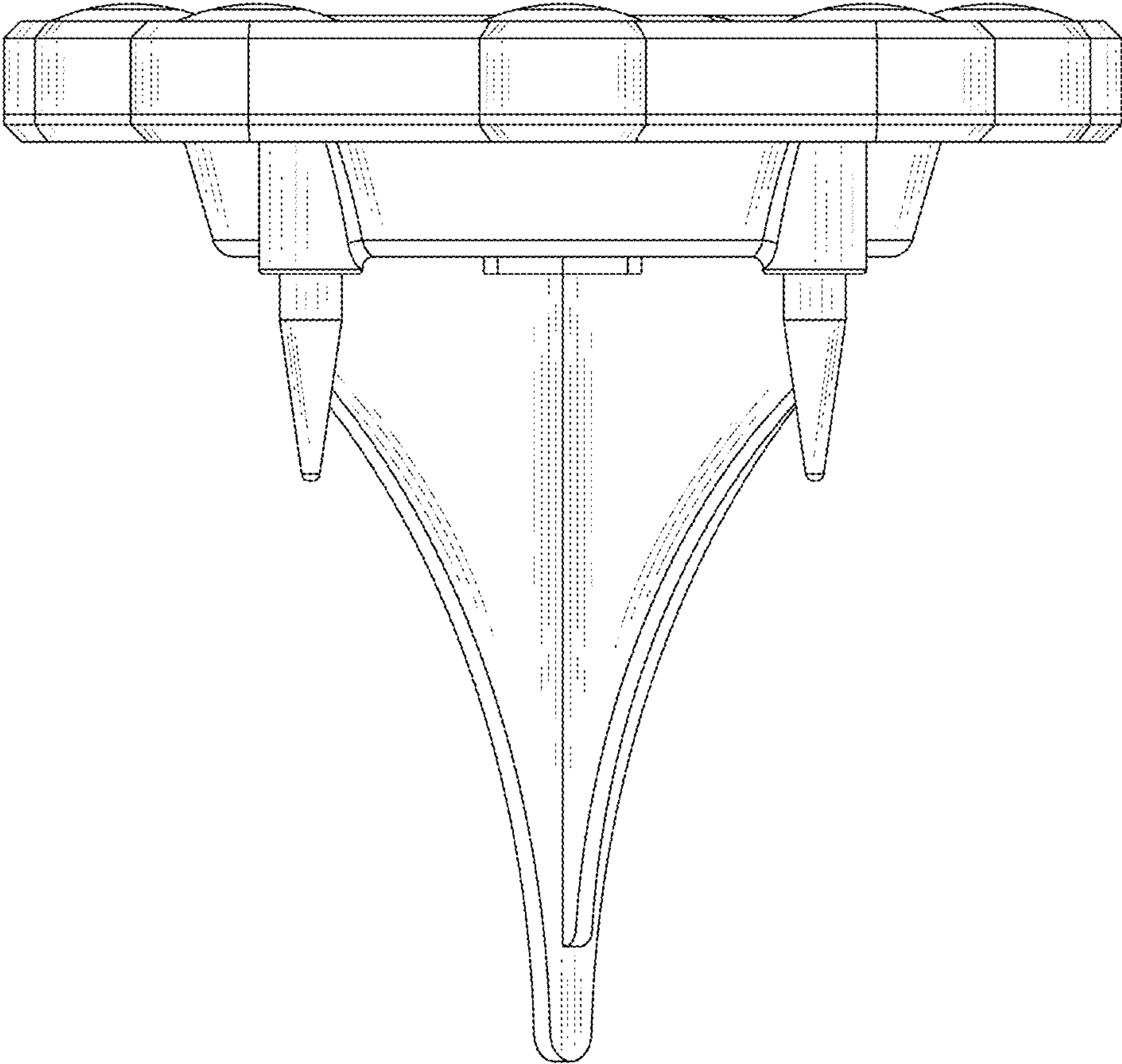


FIG. 5

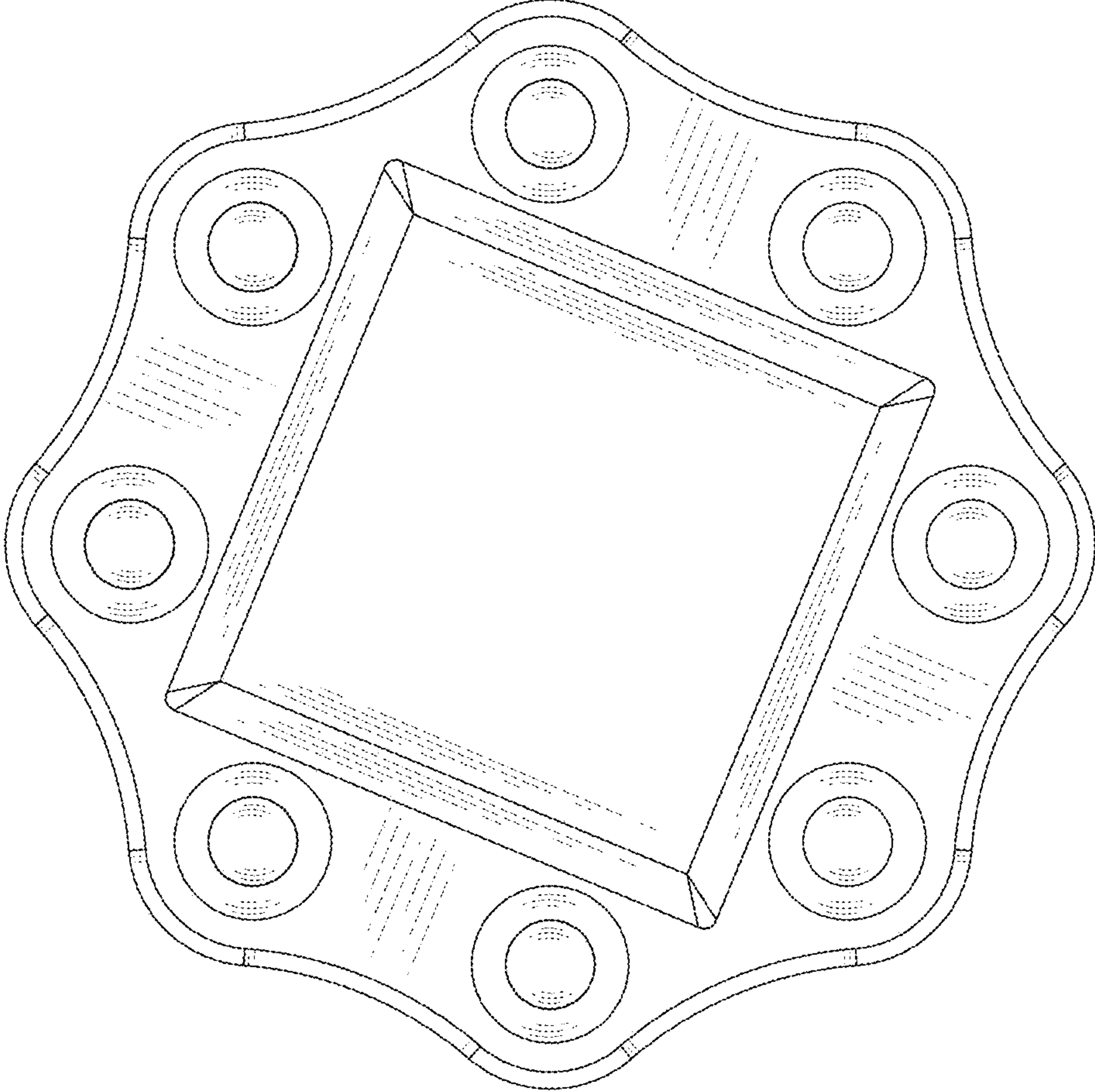


FIG. 6

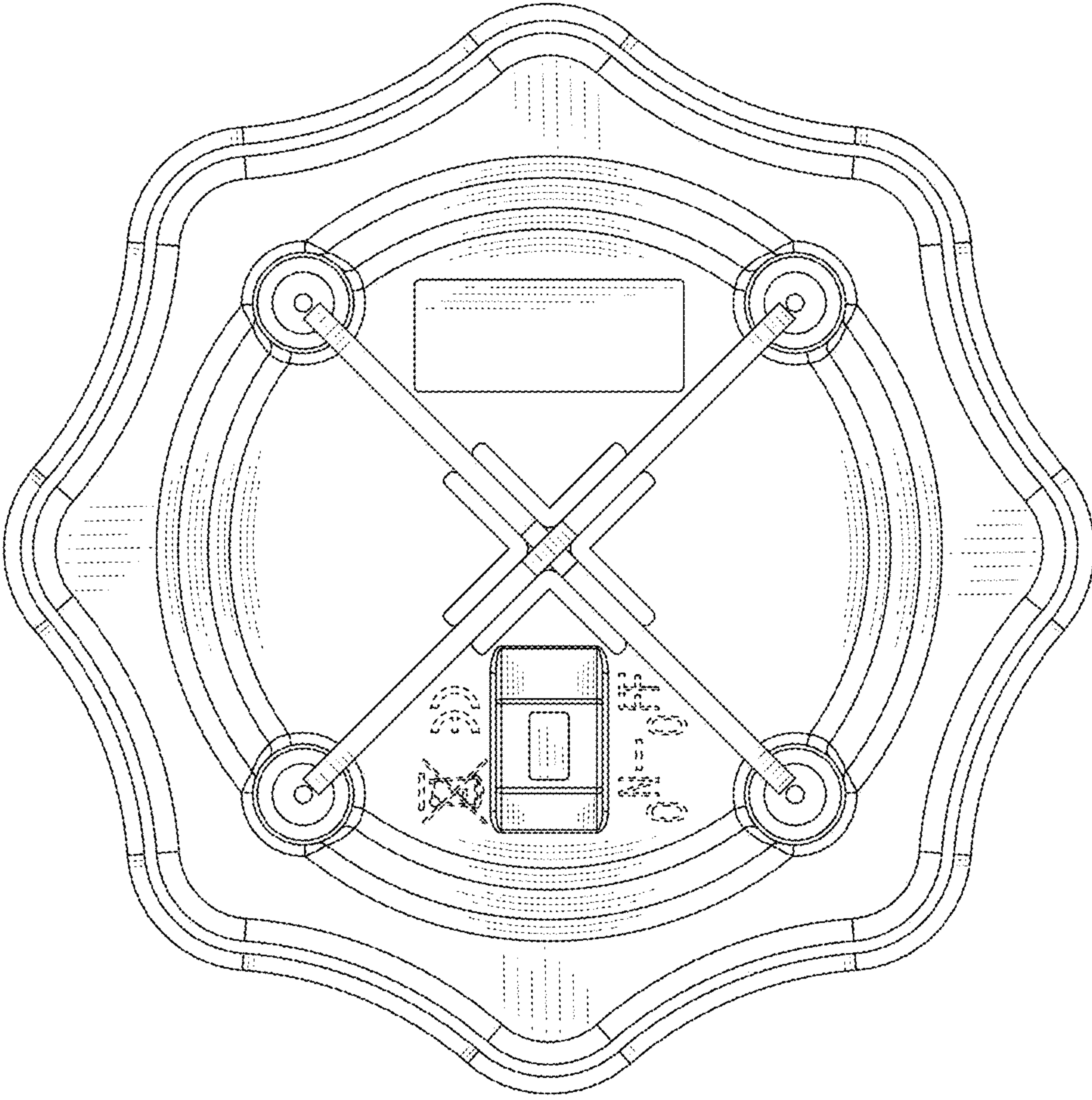


FIG. 7

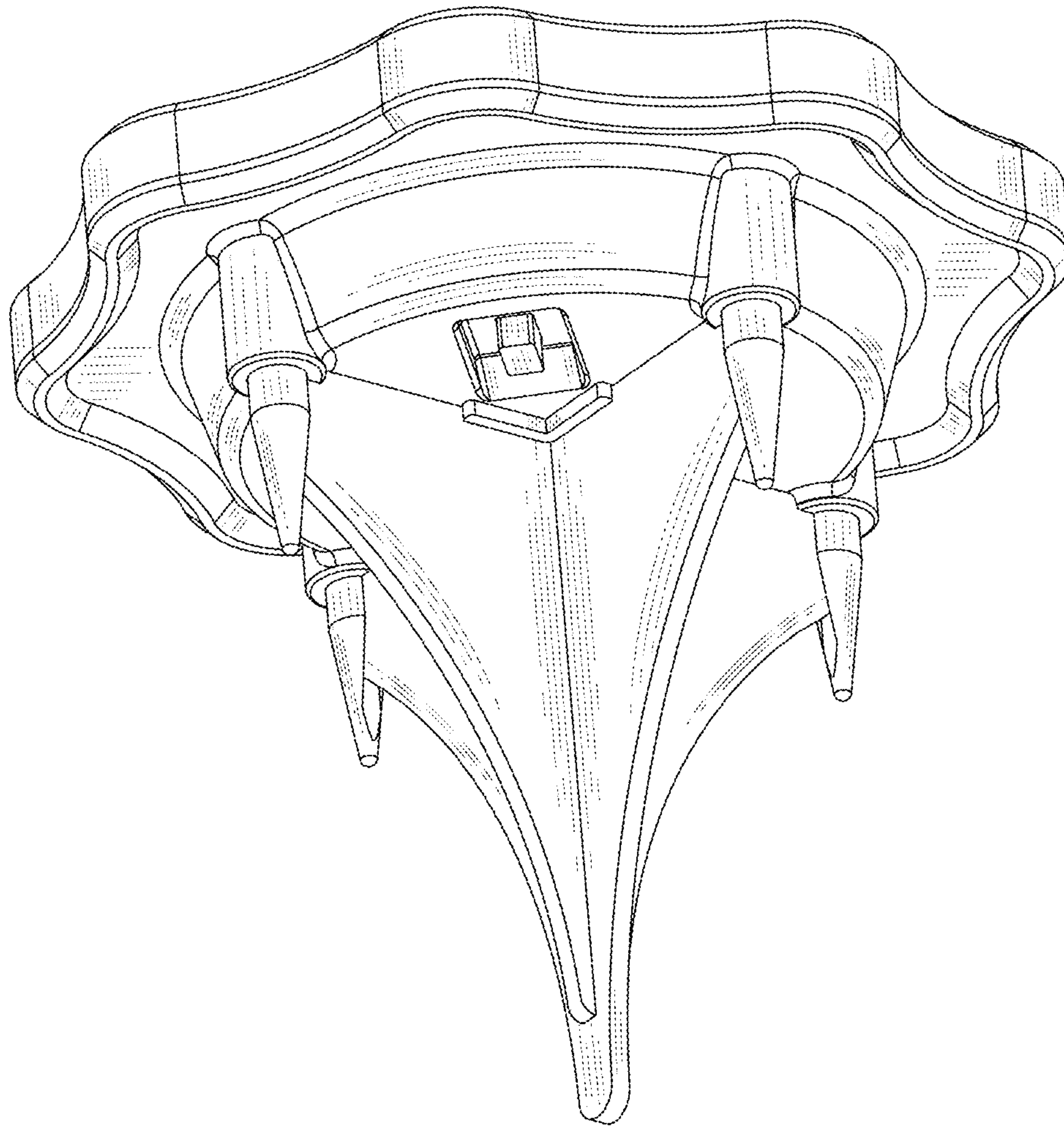


FIG. 8