



US00D972761S

(12) **United States Design Patent** (10) **Patent No.:** **US D972,761 S**
Zheng (45) **Date of Patent:** **** Dec. 13, 2022**

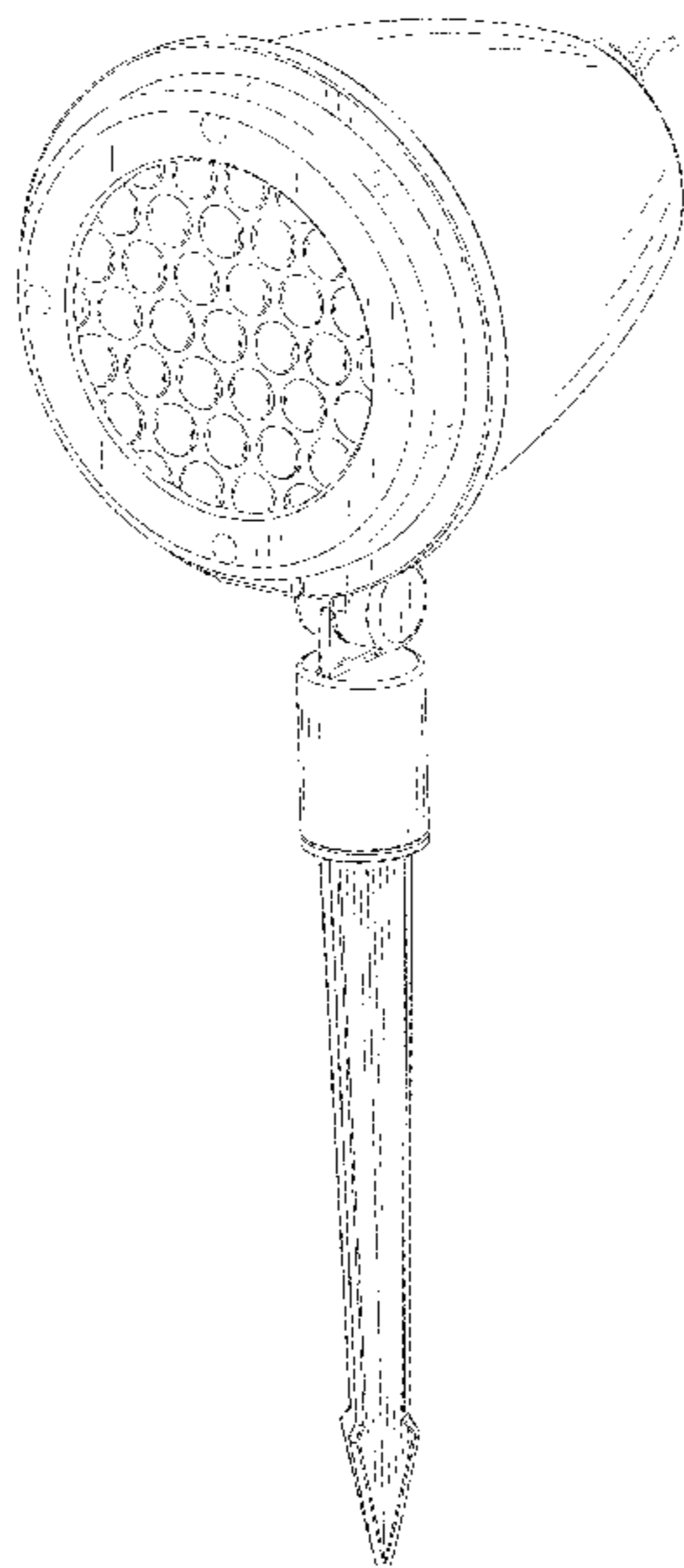
(54) **PROJECTION LAMP** D849,981 S * 5/2019 Hwa F21V 14/08
D26/63
(71) Applicant: **SHENZHEN BOLONG** D854,226 S 7/2019 Lin
TECHNOLOGY CO., LTD., Shenzhen D915,652 S * 4/2021 Li D26/63
(CN) 2016/0238221 A1 * 8/2016 Lentine F21S 10/007
2021/0404617 A1 * 12/2021 Zheng F21V 14/08

(72) Inventor: **Huazhu Zheng**, Shenzhen (CN) FOREIGN PATENT DOCUMENTS
(**) Term: **15 Years** EM 008525943-0001 * 5/2021

(21) Appl. No.: **29/784,307** OTHER PUBLICATIONS
(22) Filed: **May 19, 2021** Amazon, "Blue and Red Remote Control LedMall Laser Christmas
(51) **LOC (13) Cl.** **26-05** Lights", first available Jan. 18, 2015. (<https://www.amazon.com/dp/B06VXJY3LY/>) (Year: 2015).*
(52) **U.S. Cl.** (Continued)
USPC **D26/63**

(58) **Field of Classification Search** Primary Examiner — Lauren D McVey
USPC D26/24, 61, 63, 67, 71, 93, 106 Assistant Examiner — Justin A Johnson
CPC F21L 2/00; F21L 4/00; F21L 4/02; F21L (74) *Attorney, Agent, or Firm* — Rumit Ranjit Kanakia
4/025; F21L 4/027; F21L 14/00; F21S
2/00; F21S 8/03; F21S 8/033; F21S 6/00; (57) **CLAIM**
F21S 6/002; F21S 8/036; F21S 8/037; The ornamental design for a projection lamp, as shown and
F21V 21/10; F21V 21/108 described.
See application file for complete search history.

(56) **References Cited** DESCRIPTION
U.S. PATENT DOCUMENTS
D319,891 S * 9/1991 Giese D26/24
D437,071 S * 1/2001 Andrus D26/68
D550,877 S * 9/2007 Mullen D26/68
D640,409 S 6/2011 Lin
D654,605 S * 2/2012 Chen D26/68
D667,582 S * 9/2012 Toft F21V 21/30
D26/63
D790,100 S * 6/2017 Jadhav D26/63
D797,975 S * 9/2017 Lentine D26/63
D798,484 S * 9/2017 Lentine D26/63
D799,731 S * 10/2017 Jadhav D26/63
D827,896 S * 9/2018 Yang D26/63
D838,890 S 1/2019 Xiong
D841,210 S * 2/2019 Ye D26/63
FIG. 1 is a first perspective view of a projection lamp showing my new design;
FIG. 2 is a second perspective view thereof;
FIG. 3 is a front view thereof;
FIG. 4 is a back view thereof;
FIG. 5 is a left side view thereof;
FIG. 6 is a right side view thereof;
FIG. 7 is a top view thereof; and,
FIG. 8 is a bottom view thereof.
The broken lines shown in the drawings depict portions of the projection lamp in which the design is embodied that form no part of the claimed design.
1 Claim, 8 Drawing Sheets



(56)

References Cited

OTHER PUBLICATIONS

Amazon, "Caiyue Christmas Laser Lights", first available Sep. 30, 2019. (<https://www.amazon.com/dp/B07YK4K6/>) (Year: 2019).*

Amazon, "Sunbox Store Christmas Snowflake Projector", first available Jun. 3, 2020. (<https://www.amazon.com/dp/B089LLHLQ1/>) (Year: 2020).*

Amazon, "Sanwsmo Christmas Projector Lights", first available Jun. 30, 2020. (<https://www.amazon.com/dp/B08C22V3FJ/>) (Year: 2020).*

* cited by examiner

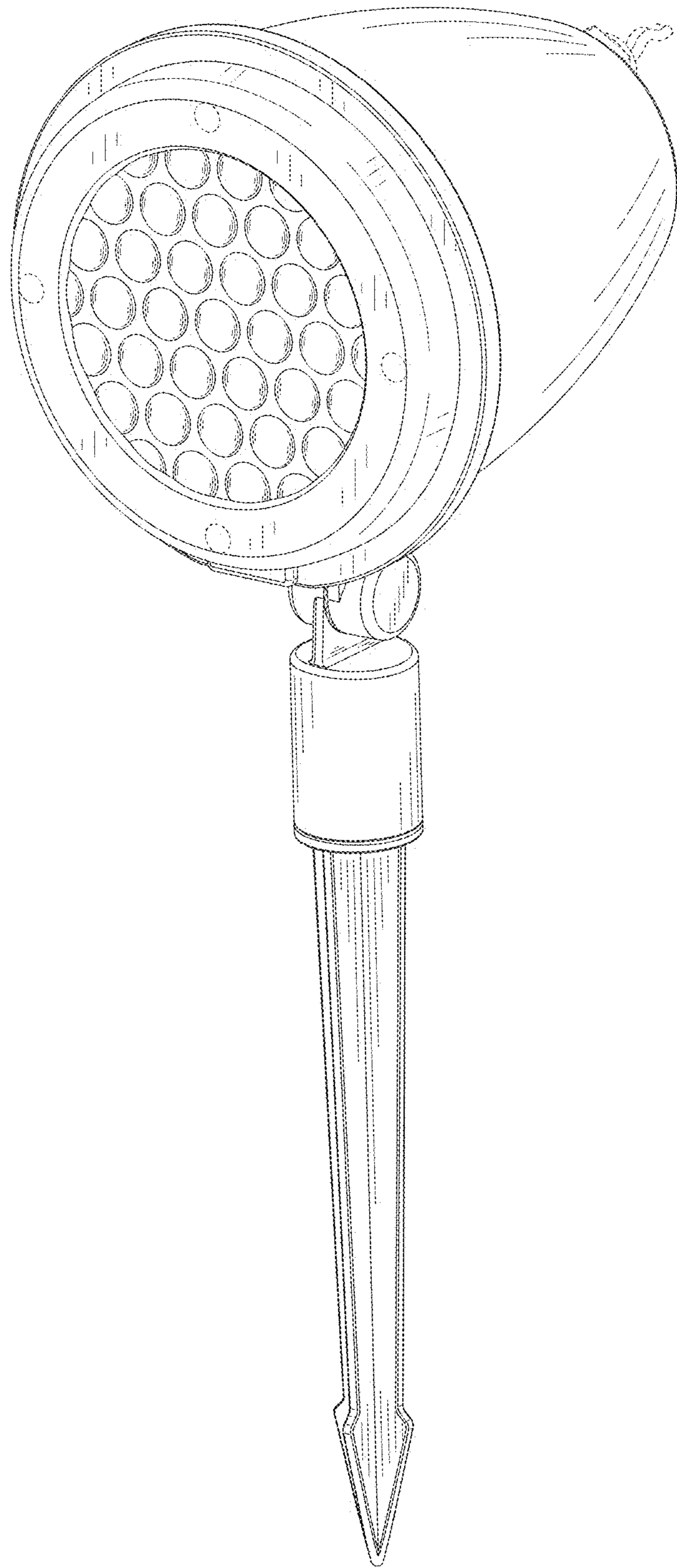


FIG. 1

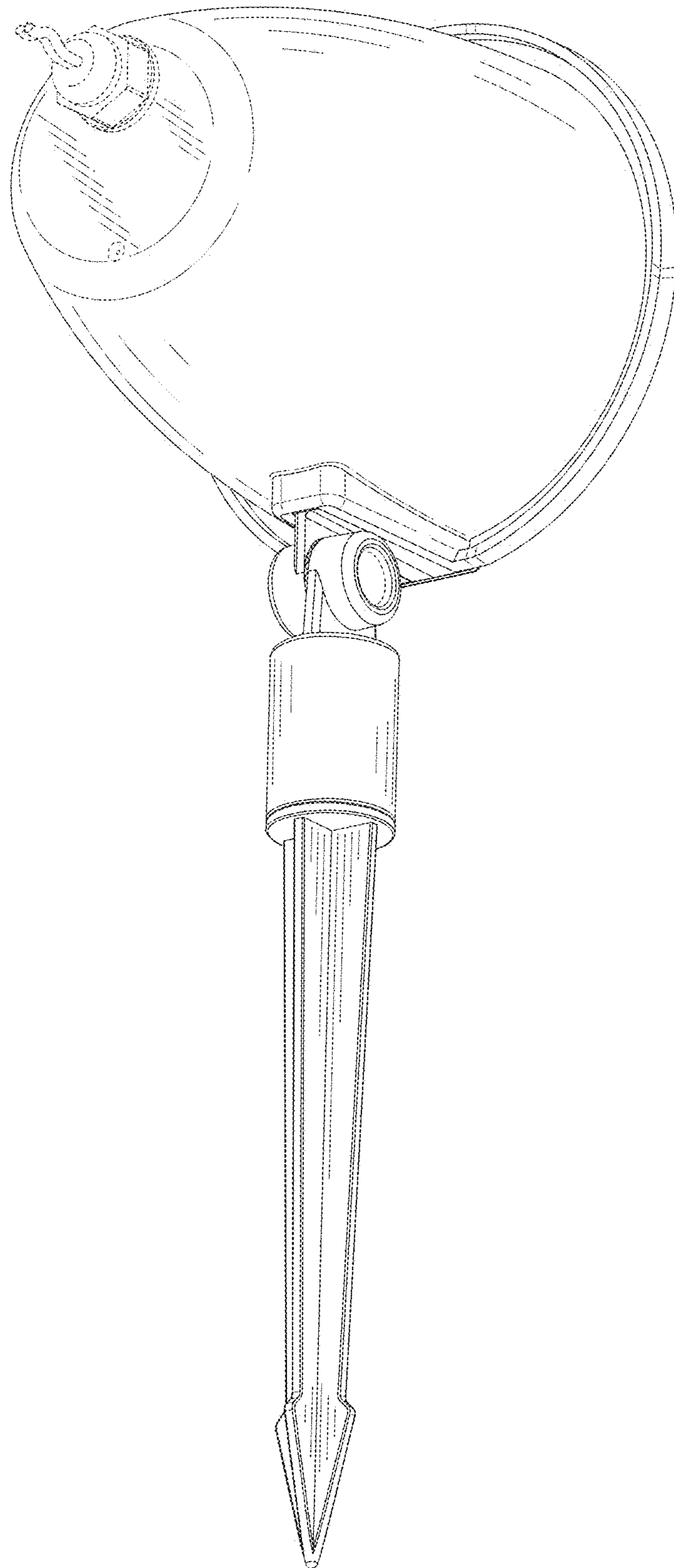


FIG. 2

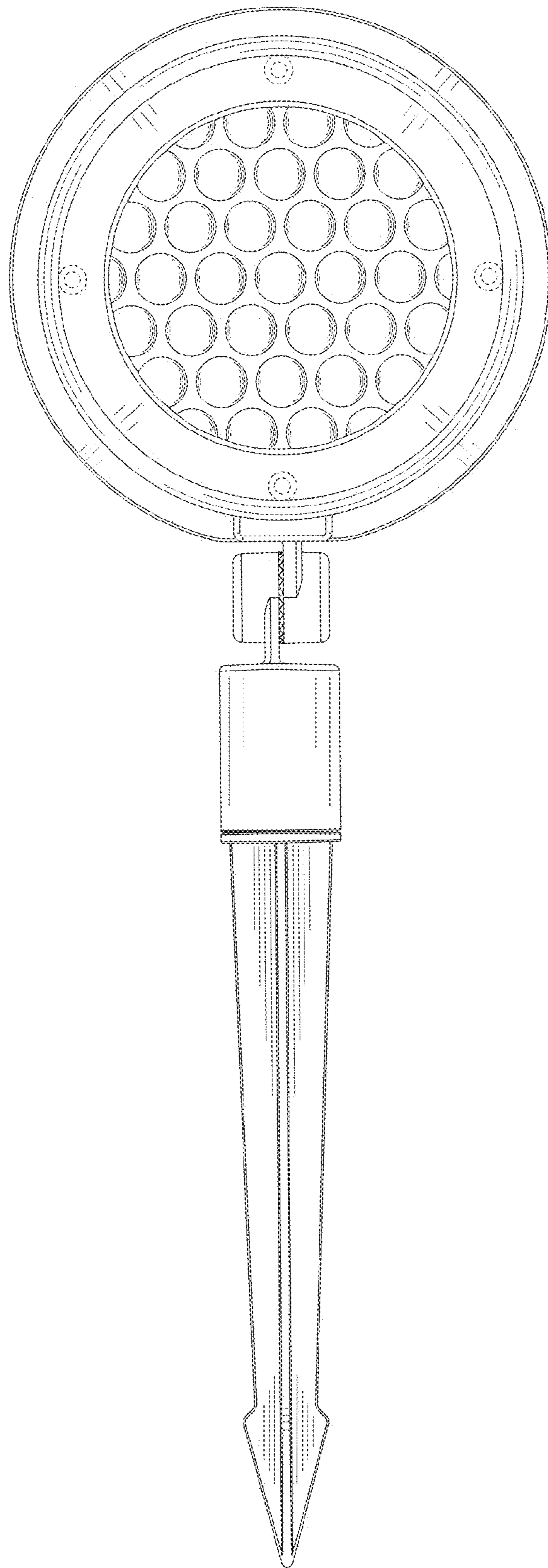


FIG. 3

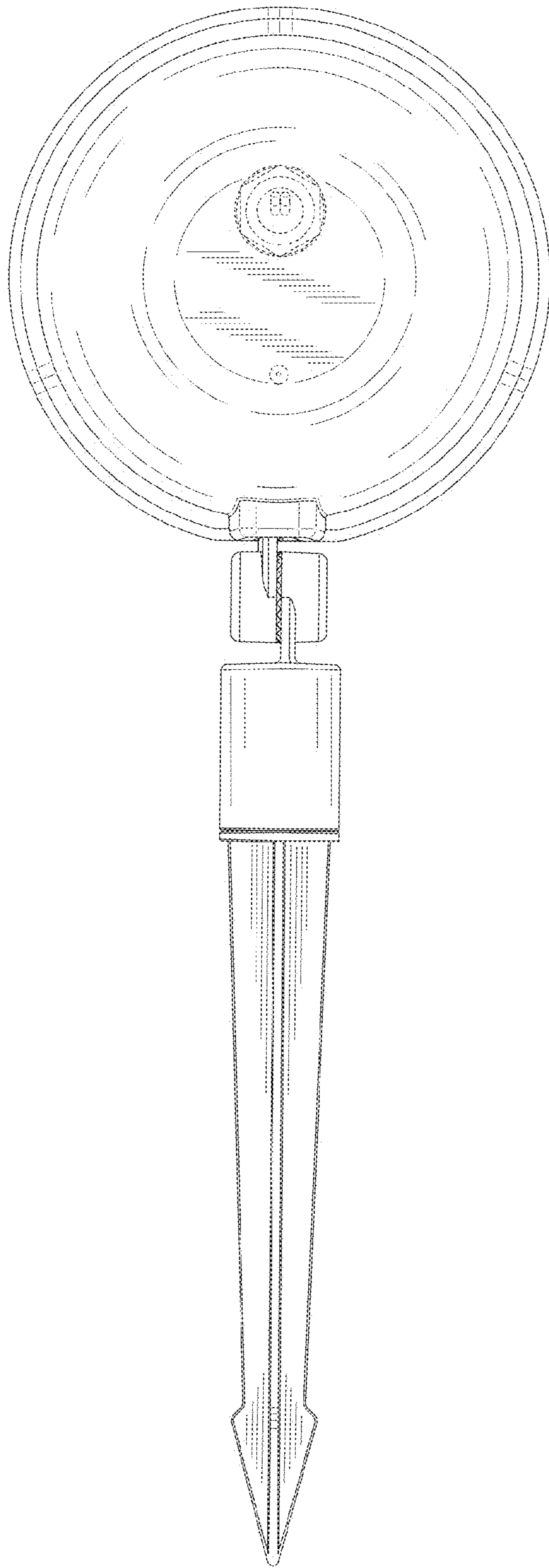


FIG. 4

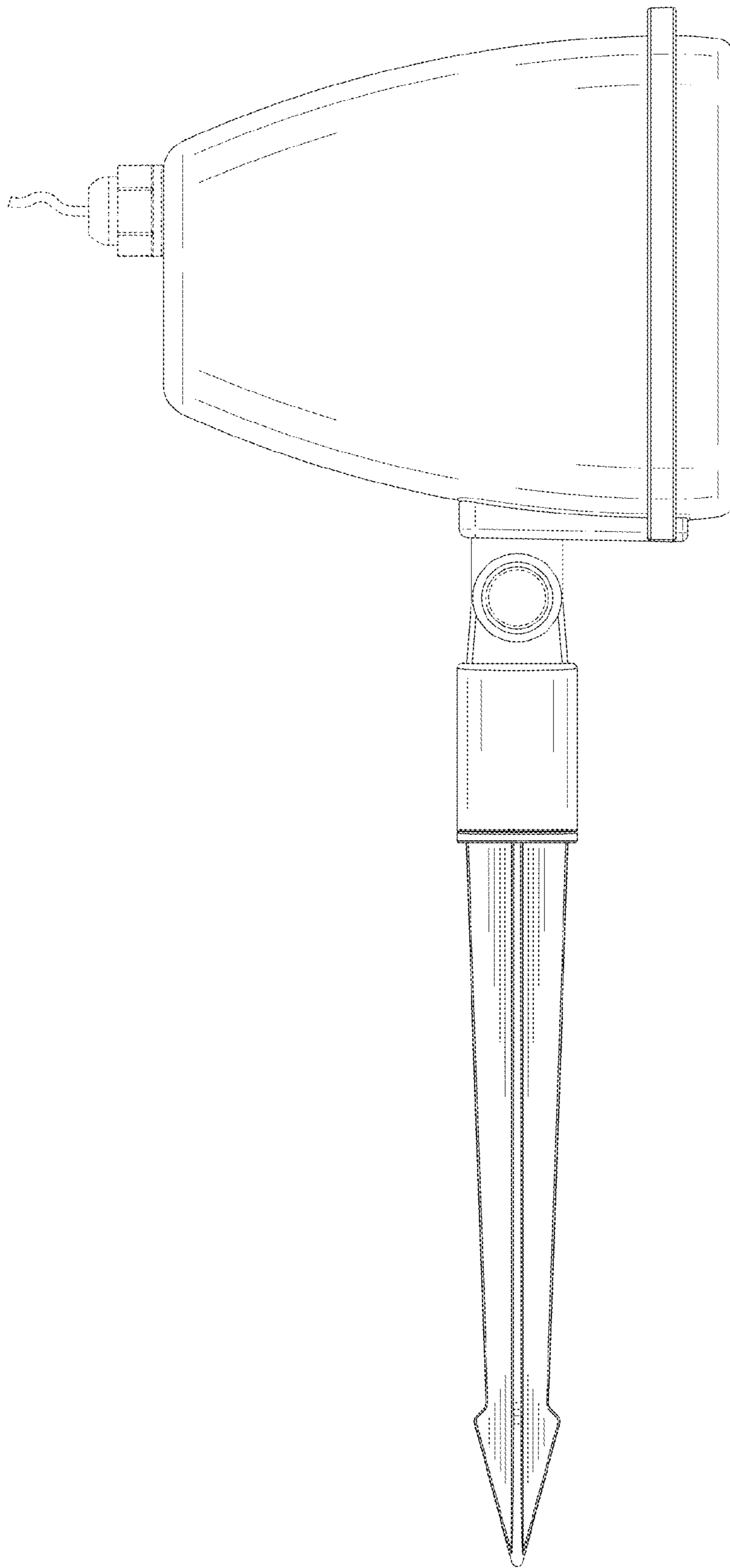


FIG. 5

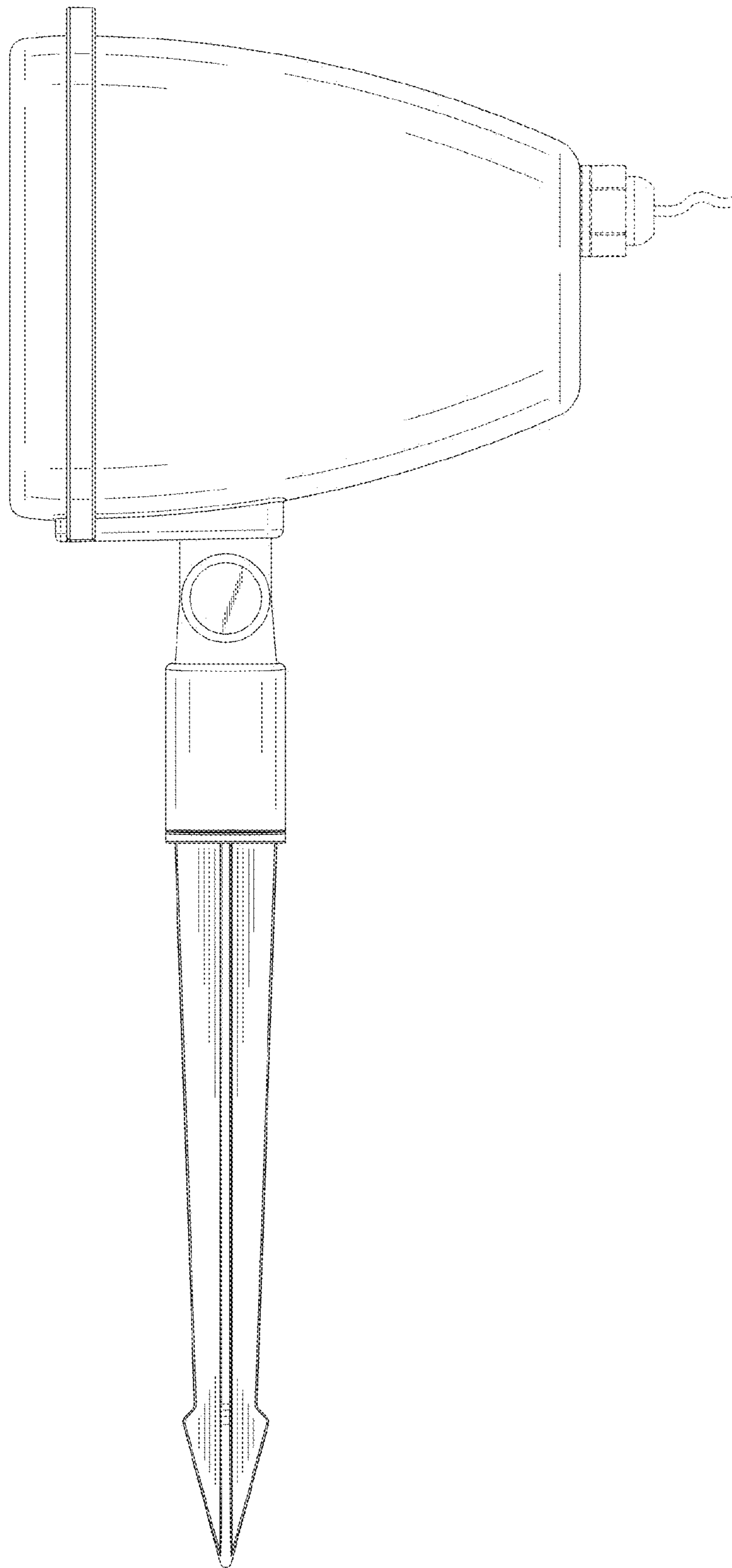


FIG. 6

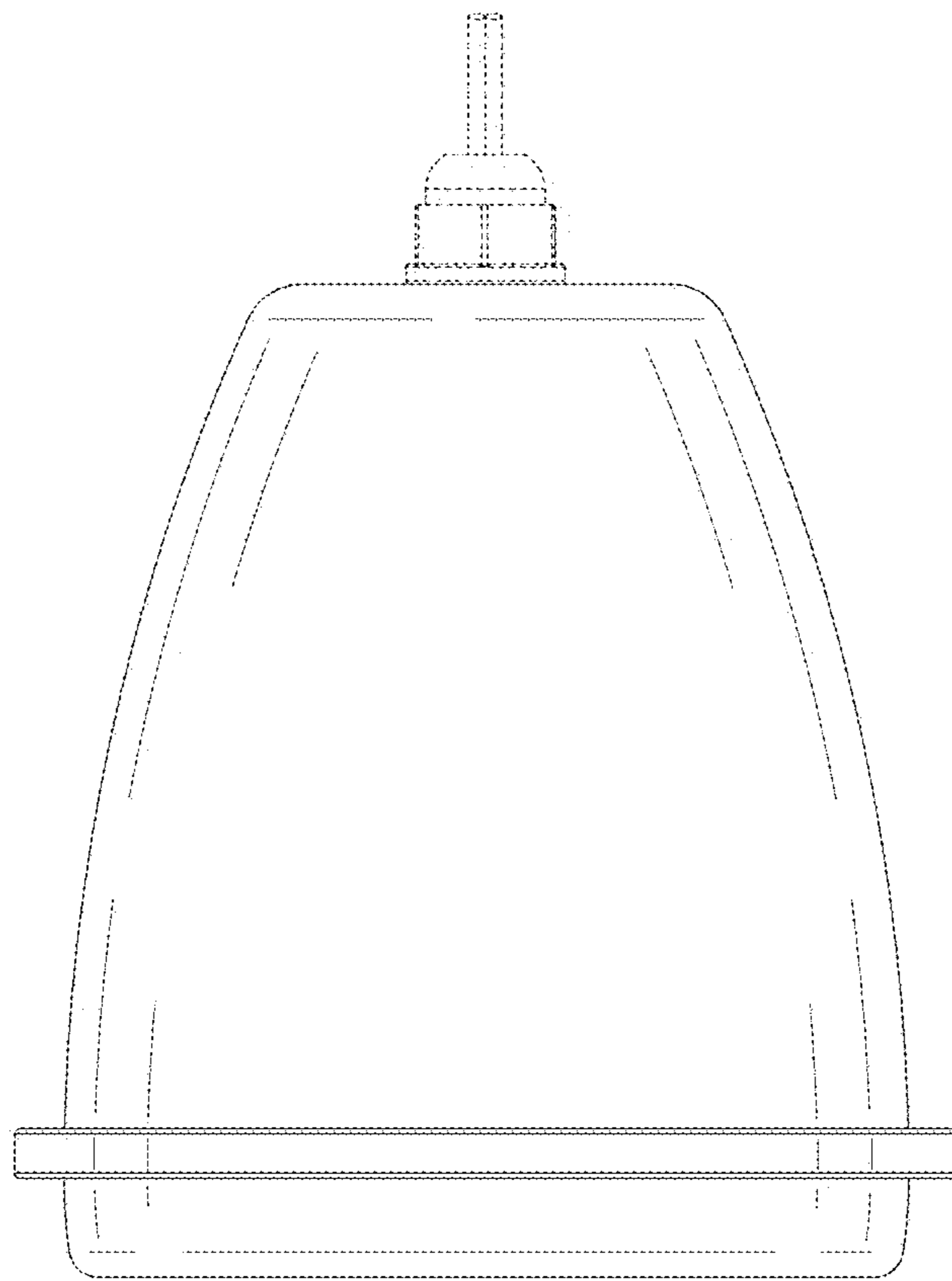


FIG. 7

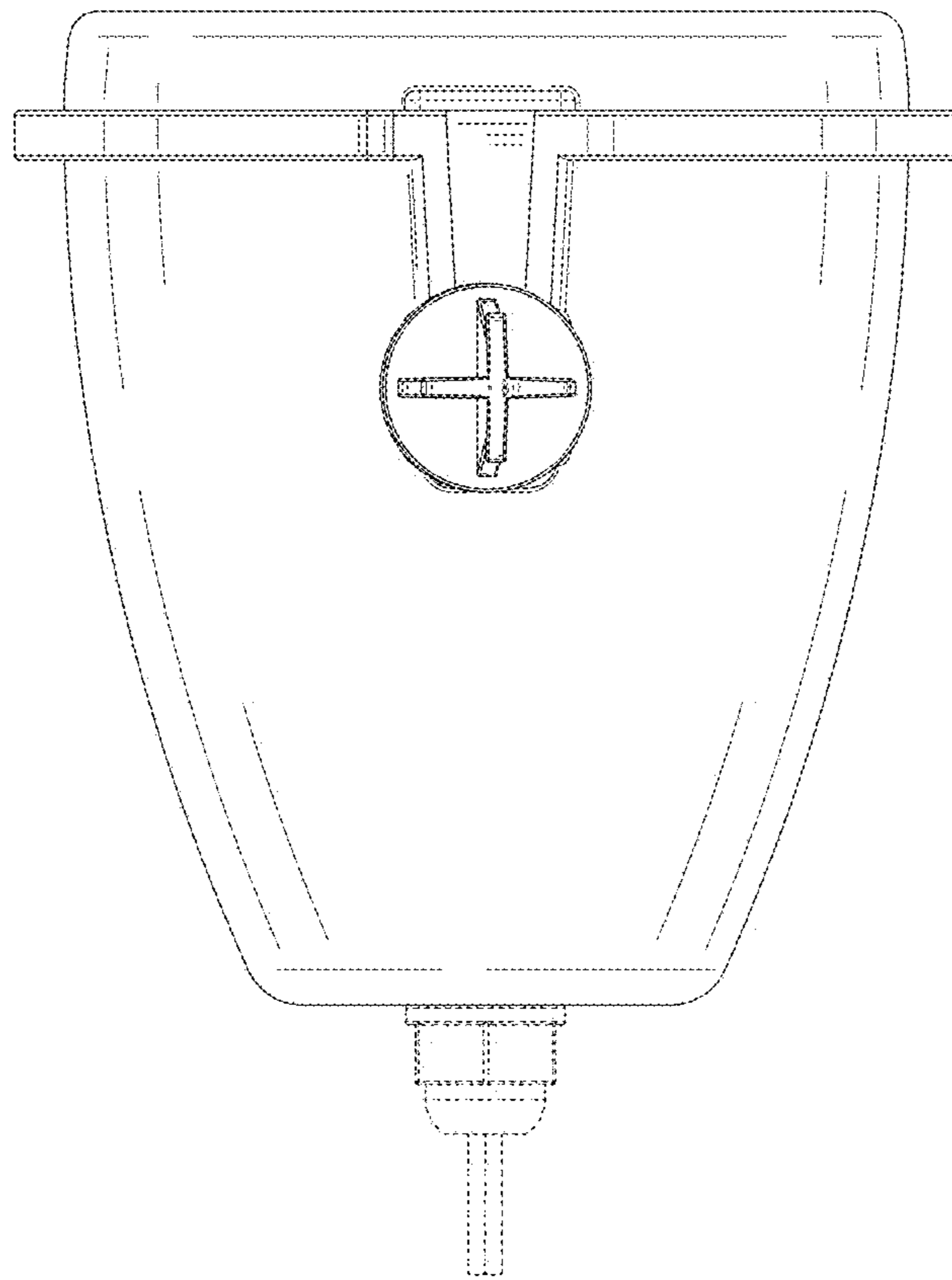


FIG. 8