



US00D972760S

(12) **United States Design Patent** (10) **Patent No.:** **US D972,760 S**
Zheng (45) **Date of Patent:** **** *Dec. 13, 2022**

(54) **PROJECTION LAMP**
(71) Applicant: **SHENZHEN BOLONG TECHNOLOGY CO., LTD.**, Shenzhen (CN)

D841,210 S * 2/2019 Ye D26/63
D849,981 S * 5/2019 Hwa F21V 14/08
D26/63
D854,226 S 7/2019 Lin
D915,652 S * 4/2021 Li D26/63
2016/0238221 A1* 8/2016 Lentine F21S 10/007
(Continued)

(72) Inventor: **Huazhu Zheng**, Shenzhen (CN)

(*) Notice: This patent is subject to a terminal disclaimer.

FOREIGN PATENT DOCUMENTS

EM 008525943-0002 * 5/2021

(**) Term: **15 Years**

OTHER PUBLICATIONS

(21) Appl. No.: **29/784,305**

Amazon, "Blue and Red Remote Control LedMall Laser Christmas Lights", first available Jan. 18, 2015. (<https://www.amazon.com/dp/B06VXJY3LY/>) (Year: 2015).*

(22) Filed: **May 19, 2021**

(51) **LOC (13) Cl.** **26-05**

(Continued)

(52) **U.S. Cl.**

USPC **D26/63**

(58) **Field of Classification Search**

USPC D26/24, 61, 63, 67, 71, 93, 106

CPC F21L 2/00; F21L 4/00; F21L 4/02; F21L

4/025; F21L 4/027; F21L 14/00; F21S

2/00; F21S 8/03; F21S 8/033; F21S 6/00;

F21S 6/002; F21S 8/036; F21S 8/037;

F21V 21/10; F21V 21/108

See application file for complete search history.

Primary Examiner — Lauren D McVey

Assistant Examiner — Justin A Johnson

(74) *Attorney, Agent, or Firm* — Rumit Ranjit Kanakia

(57)

CLAIM

The ornamental design for a projection lamp, as shown and described.

DESCRIPTION

FIG. 1 is a first perspective view of a projection lamp showing my new design;

FIG. 2 is a second perspective view thereof;

FIG. 3 is a front view thereof;

FIG. 4 is a back view thereof;

FIG. 5 is a left side view thereof;

FIG. 6 is a right side view thereof;

FIG. 7 is a top view thereof; and,

FIG. 8 is a bottom view thereof.

The broken lines shown in the drawings depict portions of the projection lamp in which the design is embodied that form no part of the claimed design.

1 Claim, 8 Drawing Sheets

(56) **References Cited**

U.S. PATENT DOCUMENTS

D319,891 S * 9/1991 Giese D26/24

D437,071 S * 1/2001 Andrus D26/68

D550,877 S * 9/2007 Mullen D26/68

D640,409 S 6/2011 Lin

D654,605 S * 2/2012 Chen D26/68

D667,582 S * 9/2012 Toft F21V 21/30

D26/63

D790,100 S * 6/2017 Jadhav D26/63

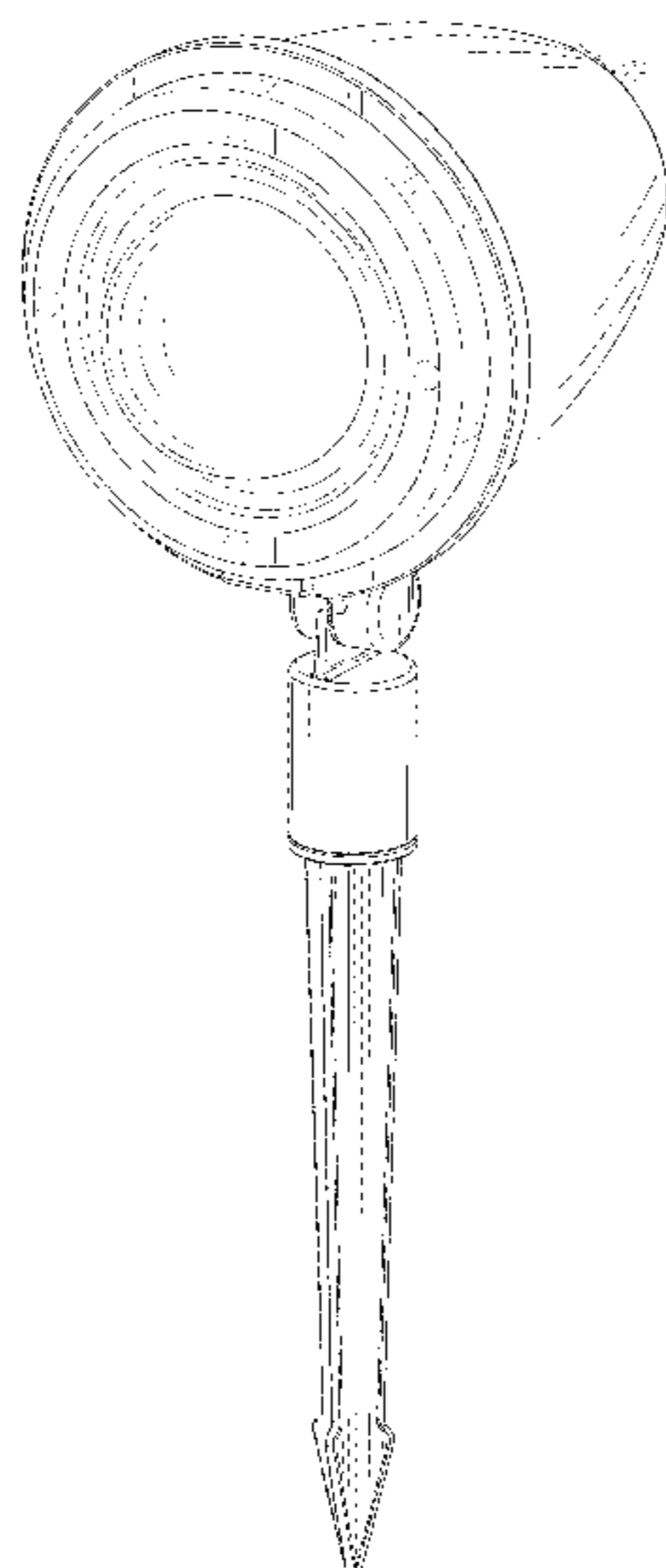
D797,975 S * 9/2017 Lentine D26/63

D798,484 S * 9/2017 Lentine D26/63

D799,731 S * 10/2017 Jadhav D26/63

D827,896 S * 9/2018 Yang D26/63

D838,890 S 1/2019 Xiong



(56)

References Cited

U.S. PATENT DOCUMENTS

2021/0404617 A1* 12/2021 Zheng F21V 14/08

OTHER PUBLICATIONS

Amazon, "Caiyue Christmas Laser Lights", first available Sep. 30, 2019. (<https://www.amazon.com/dp/B07YK4K6/>) (Year: 2019).*

Amazon, "Sunbox Store Christmas Snowflake Projector", first available Jun. 3, 2020. (<https://www.amazon.com/dp/B089LLHLQ1/>) (Year: 2020).*

Amazon, "Sanwsmo Christmas Projector Lights", first available Jun. 30, 2020. (<https://www.amazon.com/dp/B08C22V3FJ/>) (Year: 2020).*

* cited by examiner

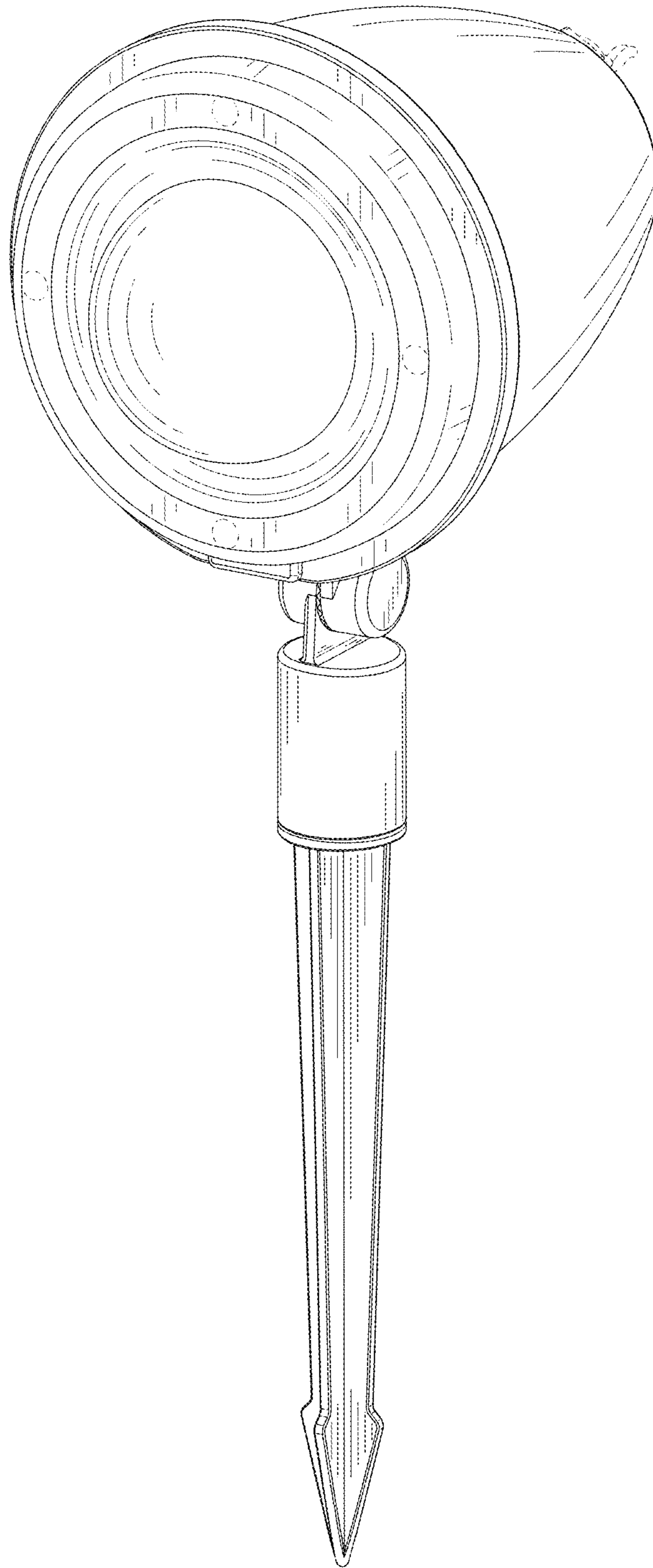


FIG. 1

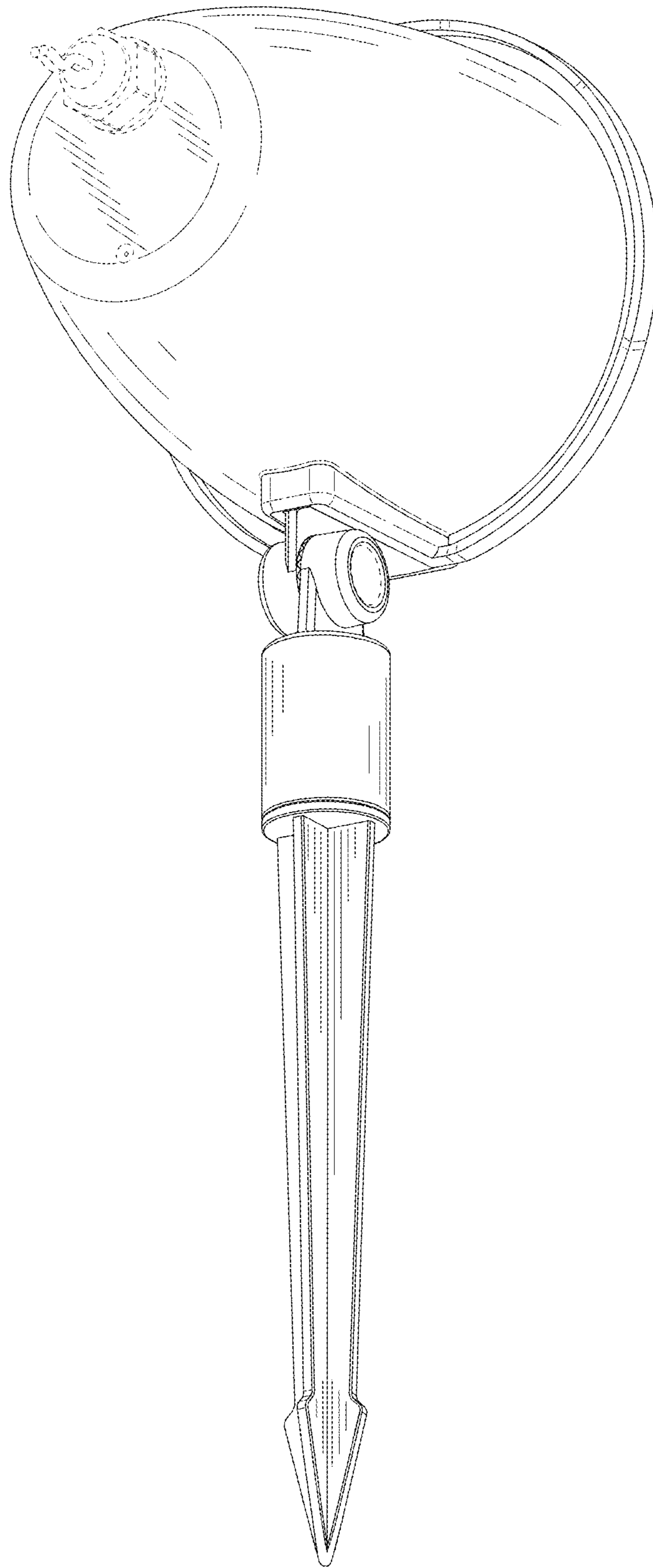


FIG. 2

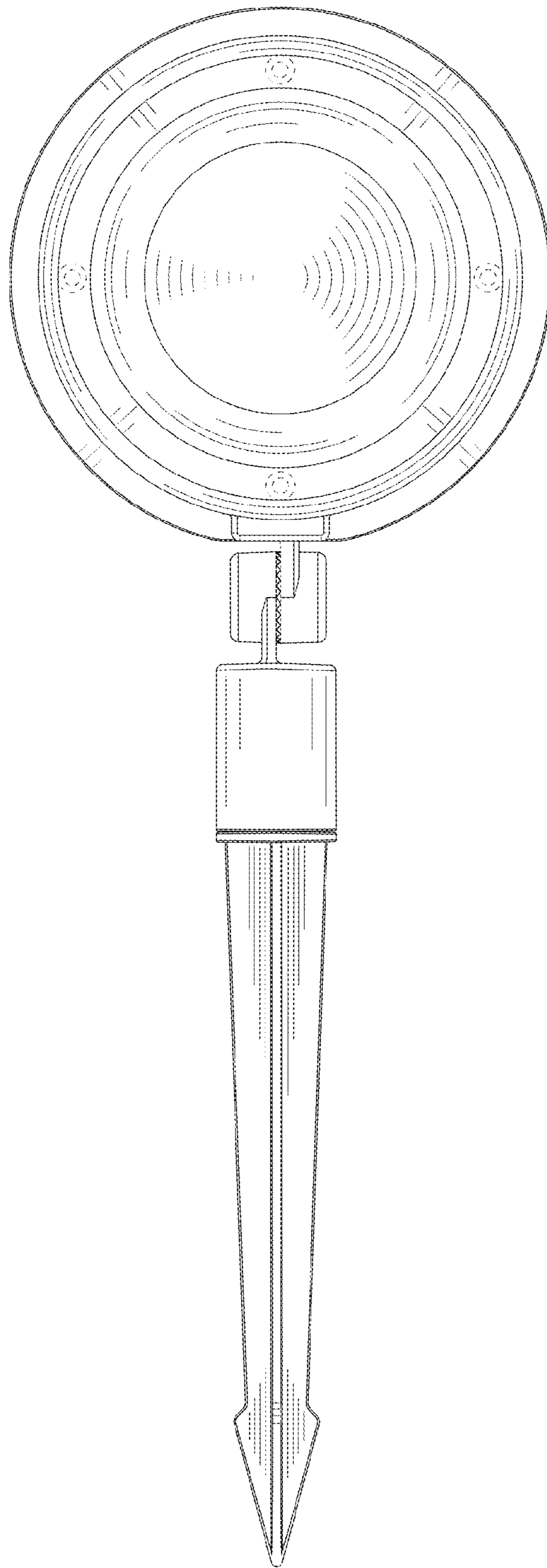


FIG. 3

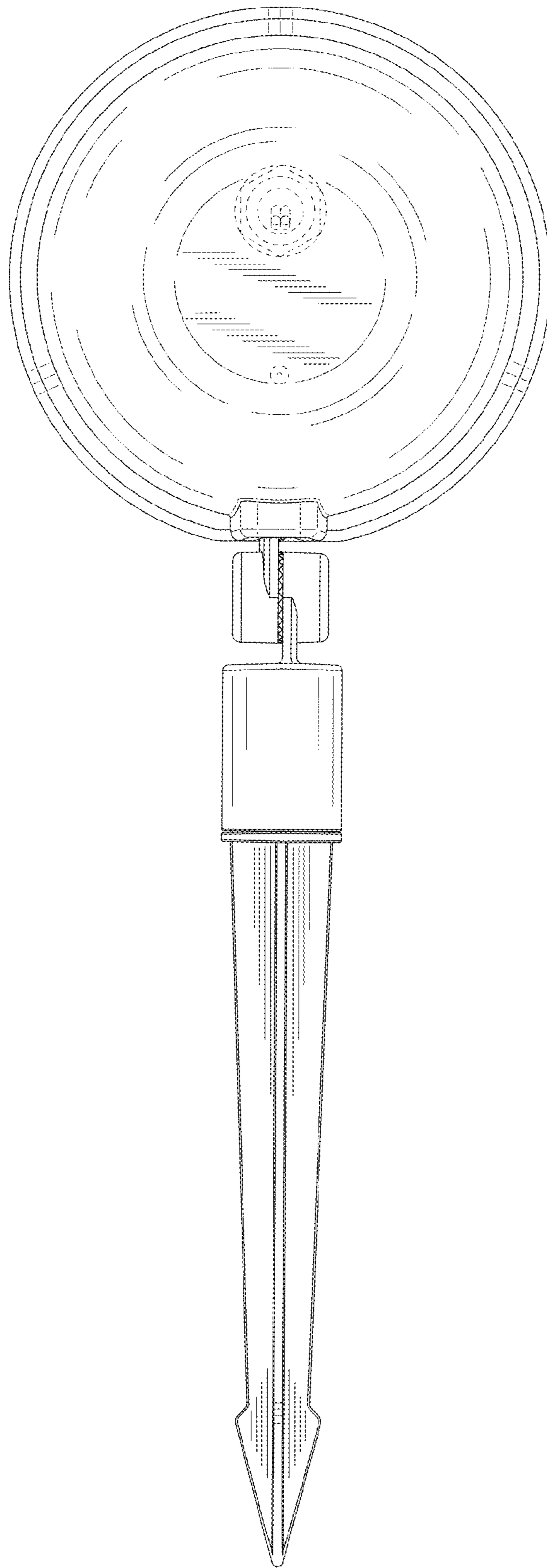


FIG. 4

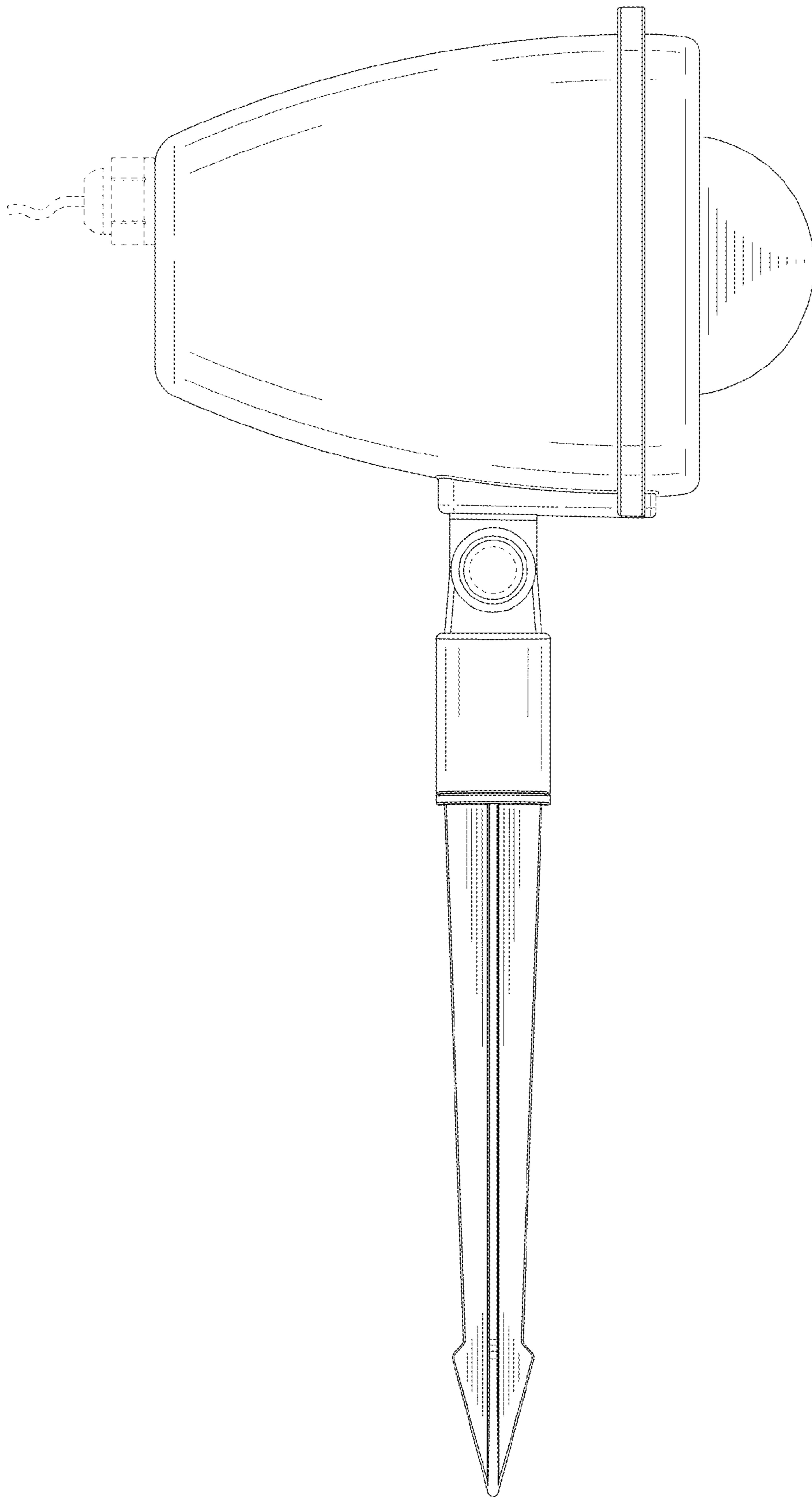


FIG. 5

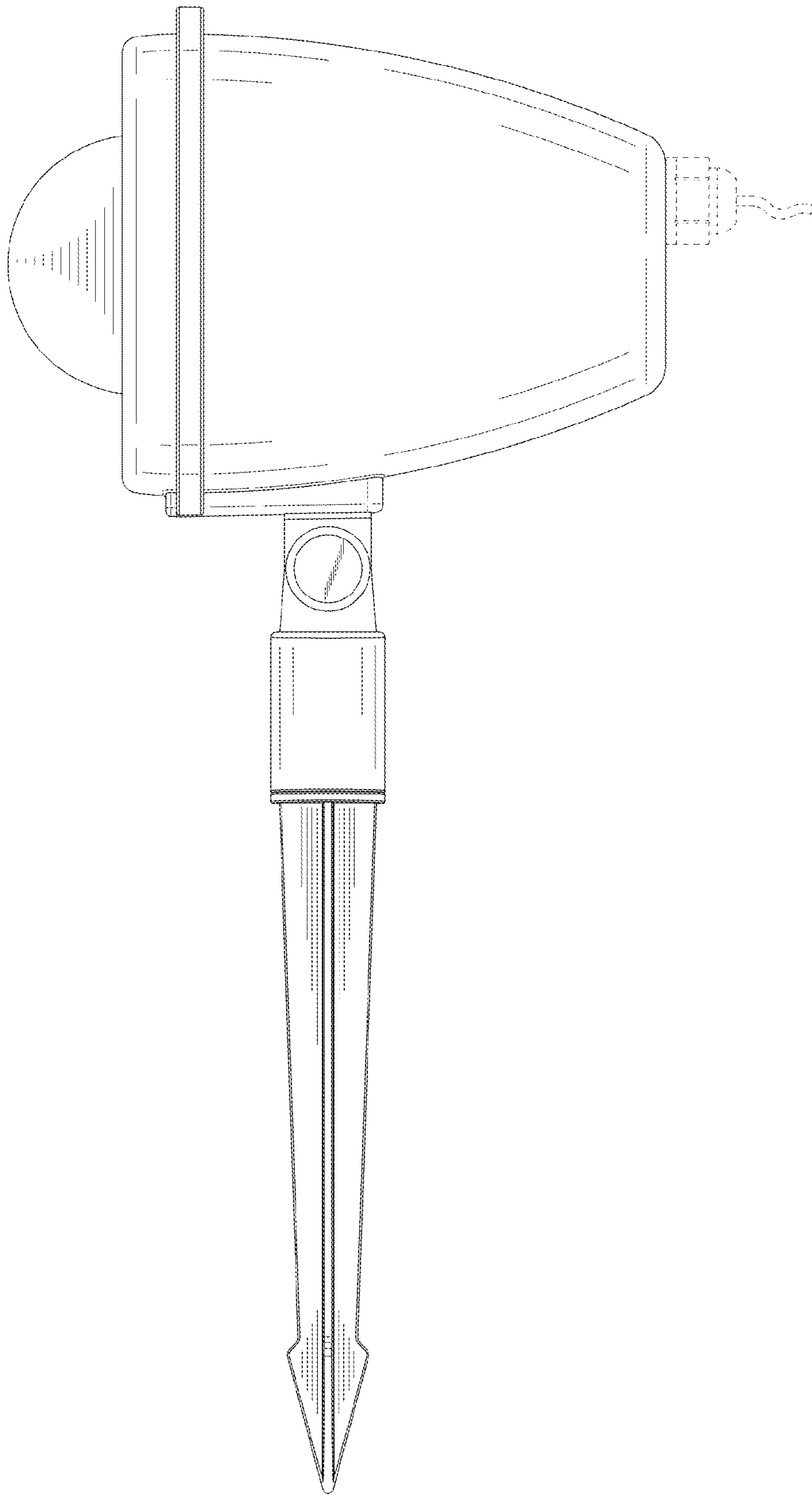


FIG. 6

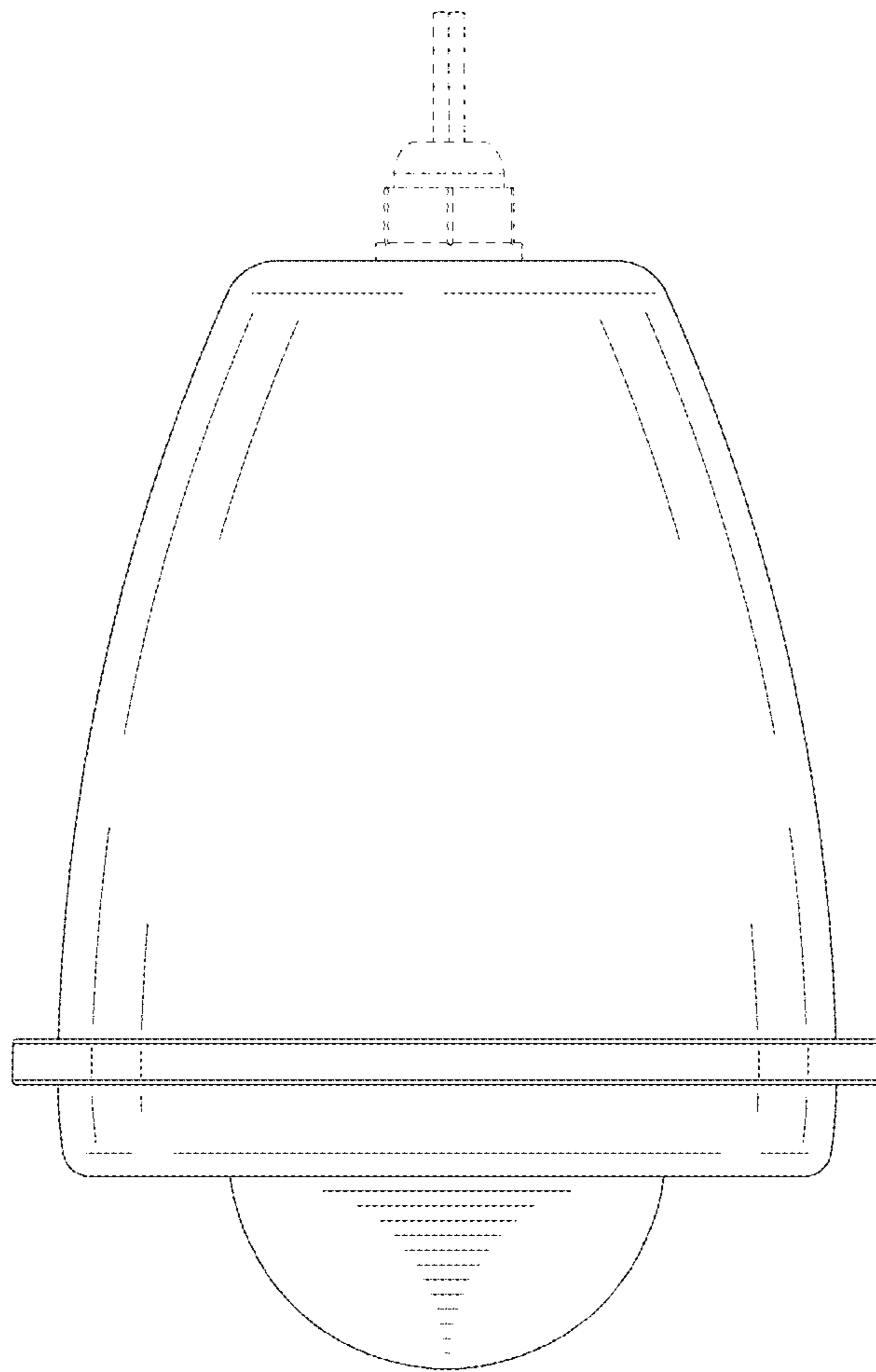


FIG. 7

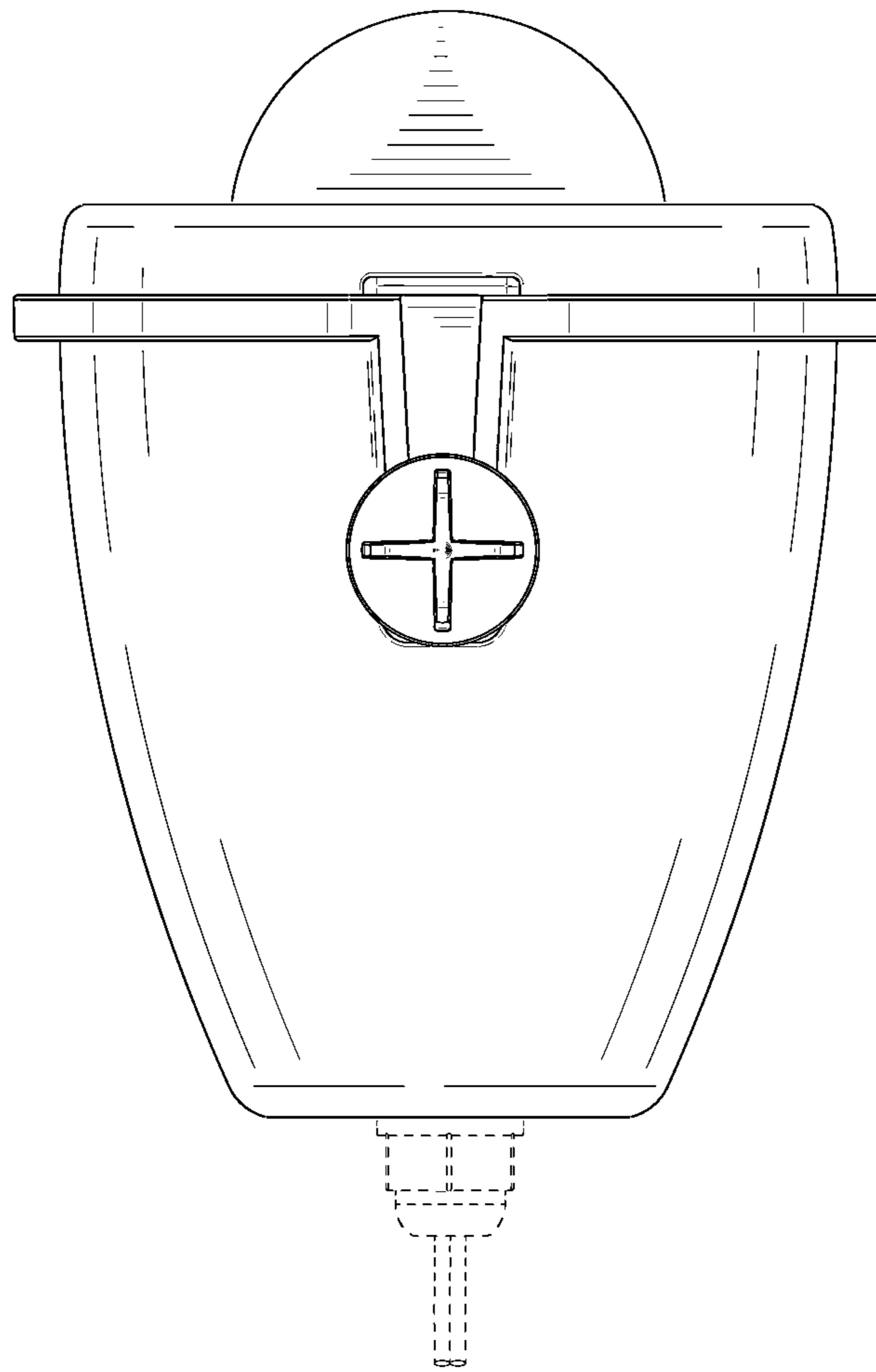


FIG. 8