



US00D972756S

(12) **United States Design Patent**
Zhou

(10) **Patent No.:** **US D972,756 S**

(45) **Date of Patent:** **** Dec. 13, 2022**

(54) **FLASHLIGHT**

(71) Applicant: **Minghua Zhou**, Zhejiang (CN)

(72) Inventor: **Minghua Zhou**, Zhejiang (CN)

(**) Term: **15 Years**

(21) Appl. No.: **29/758,876**

(22) Filed: **Nov. 19, 2020**

(51) **LOC (13) Cl.** **26-02**

(52) **U.S. Cl.**
USPC **D26/49**

(58) **Field of Classification Search**

USPC D26/24, 37-52, 113, 138

CPC F21Y 2115/10; F21Y 2101/00; F21Y

2113/13; F21Y 2113/17; F21Y 2103/10;

F21V 23/0414; F21V 15/01; F21V

21/0885; F21V 14/045; F21V 14/025;

F21V 21/145; F21V 21/406; F21V 19/02;

F21V 21/0965; F21V 5/006; F21V 21/08;

F21V 21/30; F21V 14/065; F21V

33/0064; F21V 23/0407; F21V 5/04;

F21V 7/0075; F21V 9/083; F21V 13/045;

F21V 33/0004; F21V 19/006; F21V

17/04; F21L 4/005; F21L 4/027; F21L

4/00; F21L 4/085; F21L 4/045; F21L

2001/00

See application file for complete search history.

(56) **References Cited**

U.S. PATENT DOCUMENTS

D716,984 S * 11/2014 Inskeep D26/49

D745,732 S * 12/2015 Inskeep D26/49

9,508,391 B2 * 11/2016 Bushee F21V 33/0056

D794,857 S * 8/2017 Sharrah D26/49

D846,169 S * 4/2019 Inskeep D26/49

D875,287 S * 2/2020 Inskeep D26/49

D889,011 S * 6/2020 Hong D26/49

D922,640 S * 6/2021 Lin D26/49

D922,642 S * 6/2021 Hu D26/49

2016/0006179 A1 * 1/2016 Inskeep H01R 13/642

439/217

2017/0033583 A1 * 2/2017 Inskeep H05B 47/165

OTHER PUBLICATIONS

Super Bright Rechargeable LED Flashlights. By GOCHANGE. Dated Oct. 8, 2021. Found online [Apr. 7, 2022]. <https://www.amazon.com/Rechargeable-Flashlights-Tactical-Flashlight-Waterproof/dp/B09HZGW7YM> (Year: 2021).*

* cited by examiner

Primary Examiner — Marissa J Cash

Assistant Examiner — William B Melliar

(57) **CLAIM**

The ornamental design for a flashlight, as shown and described.

DESCRIPTION

FIG. 1 is a perspective view of a flashlight showing my new design;

FIG. 2 is a front elevational view thereof;

FIG. 3 is a rear elevational view thereof;

FIG. 4 is a left side elevational view thereof;

FIG. 5 is a right side elevational view thereof;

FIG. 6 is a top plan view thereof;

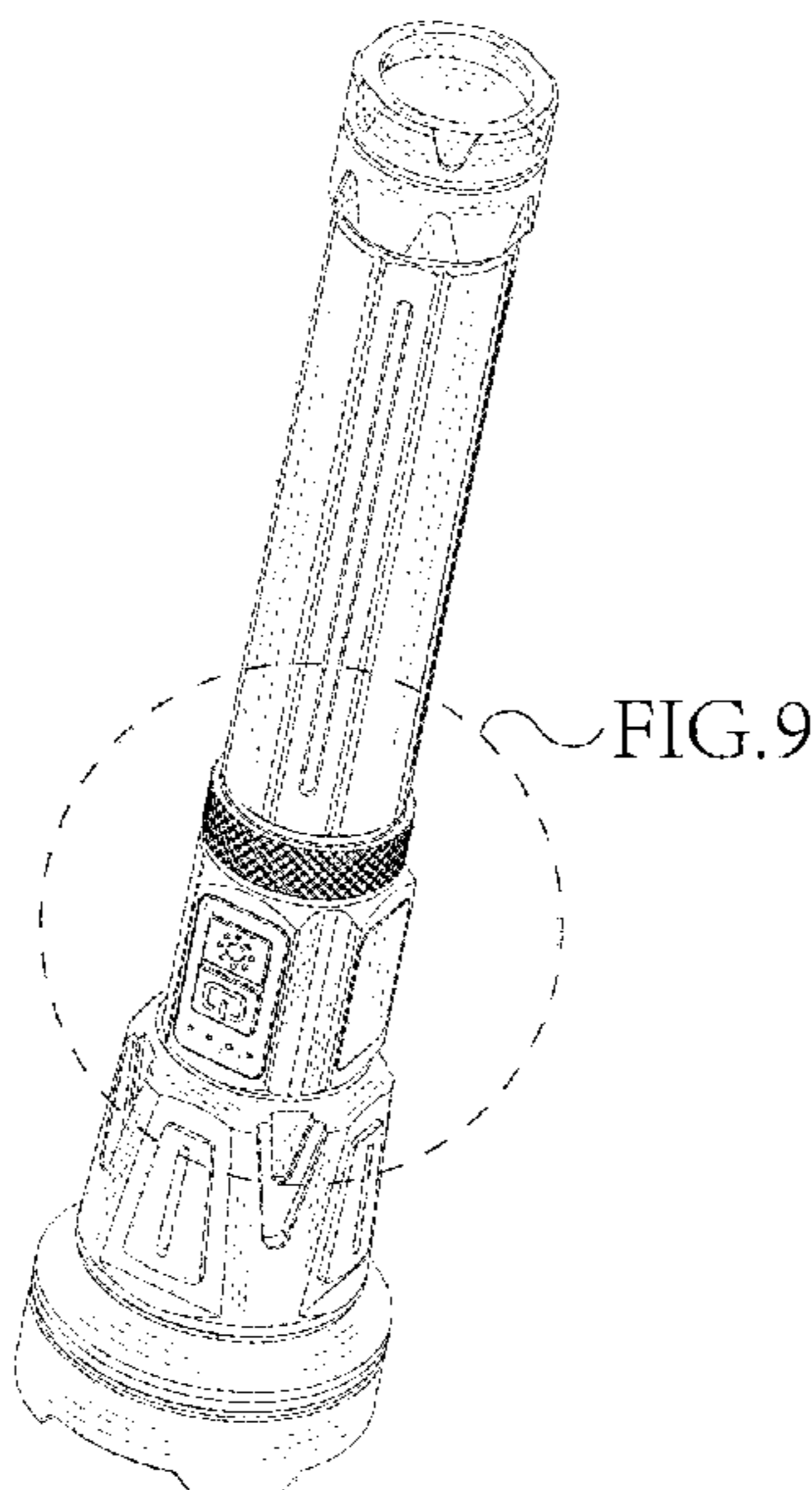
FIG. 7 is a bottom plan view thereof;

FIG. 8 is a rear, right, bottom side perspective view thereof; and,

FIG. 9 is an enlarged view of portion 9 shown in FIG. 1.

The broken lines shown in FIGS. 1. and 9 are for annotative purposes only and form no part of the claimed design.

1 Claim, 9 Drawing Sheets



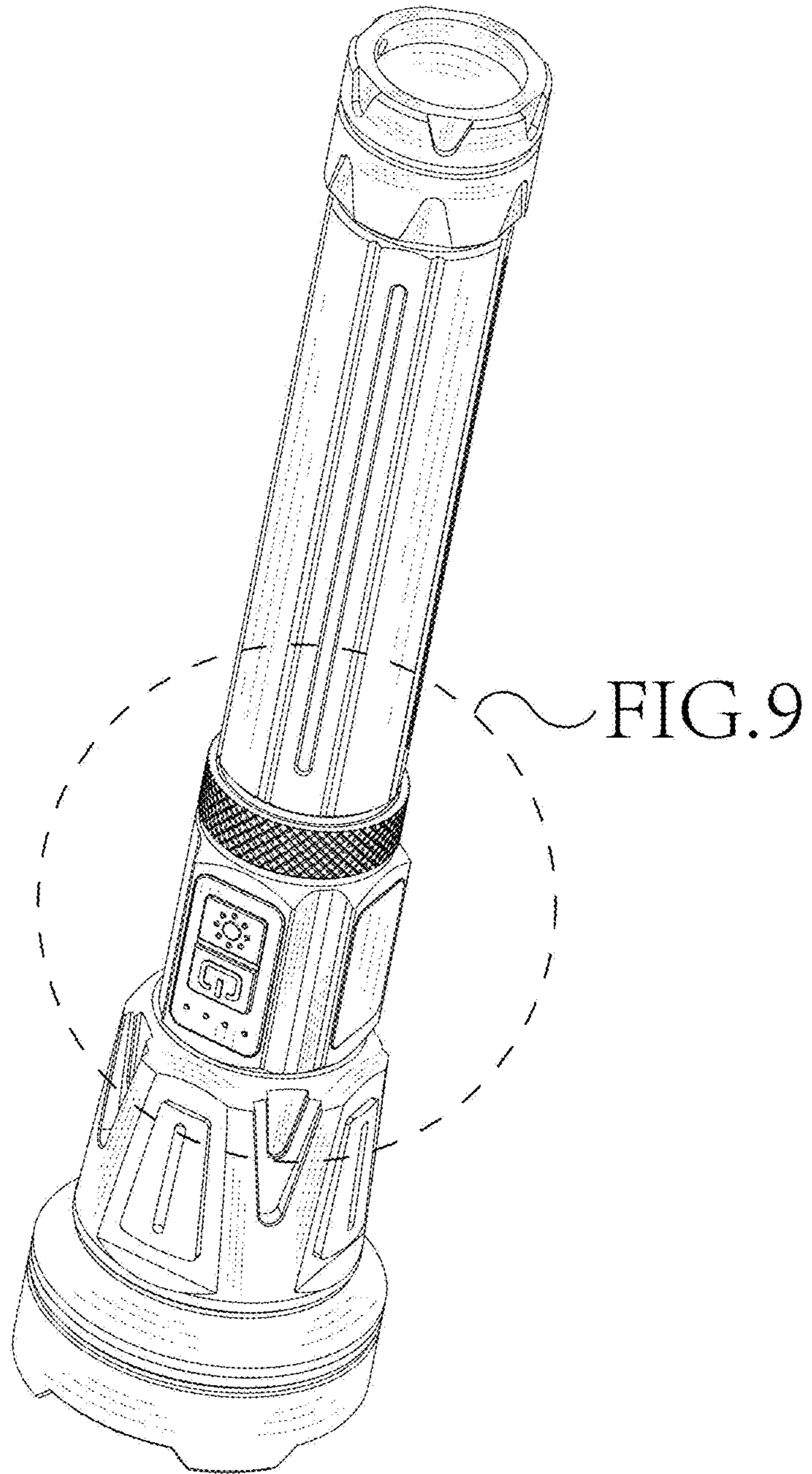


FIG. 1

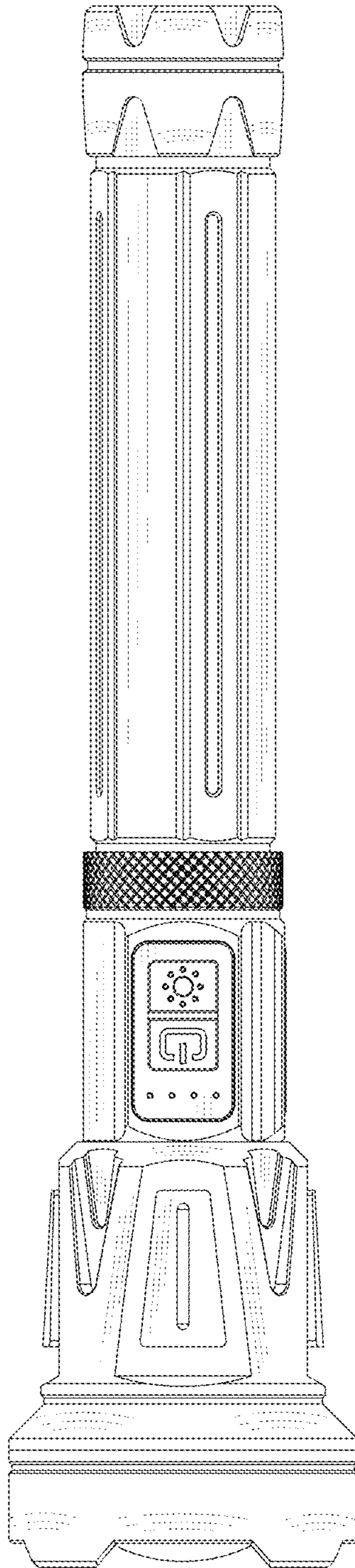


FIG. 2

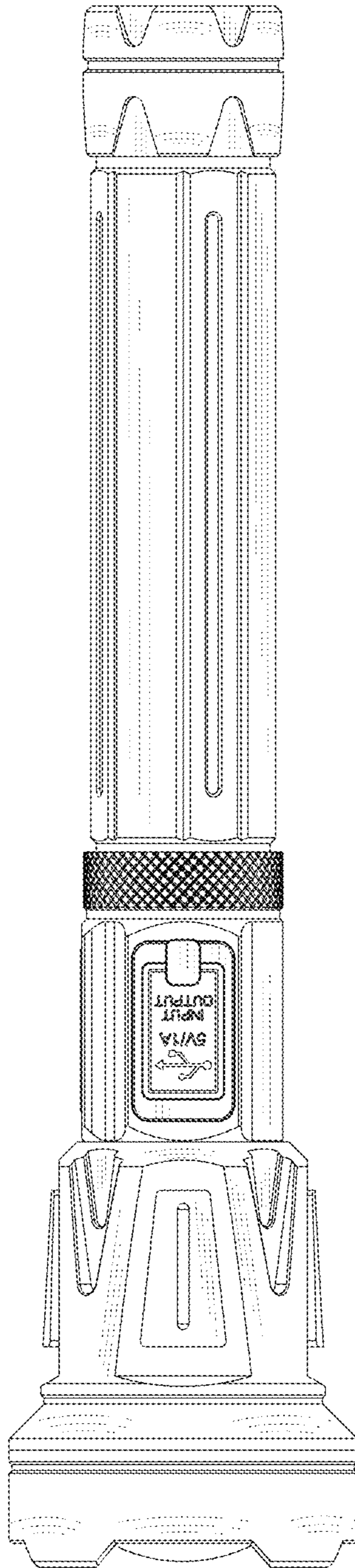


FIG. 3

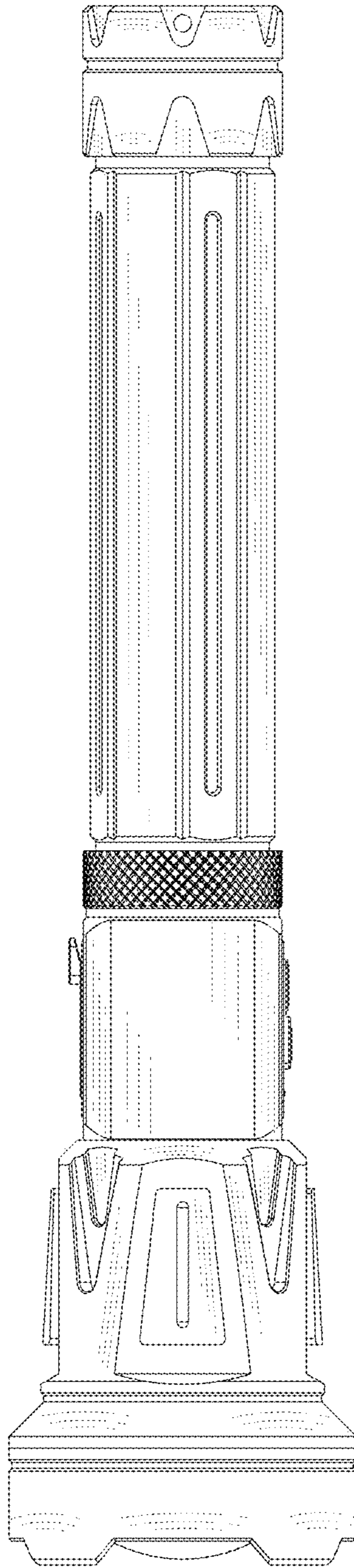


FIG. 4

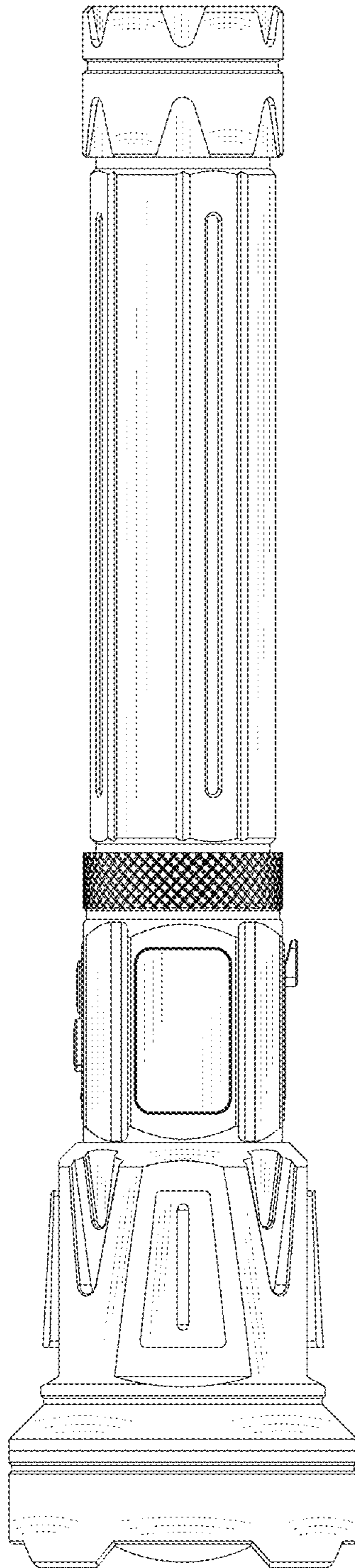


FIG. 5

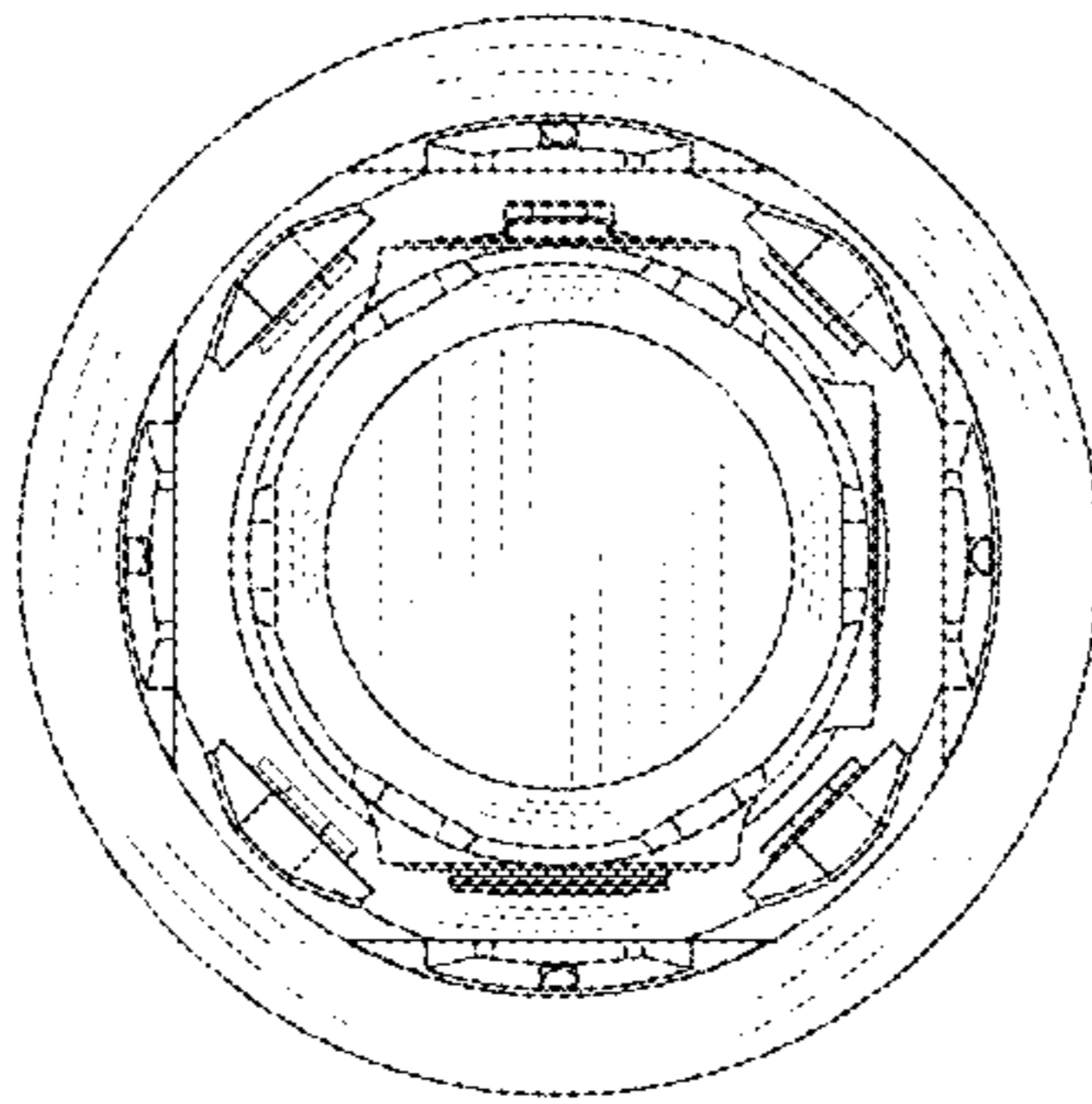


FIG. 6

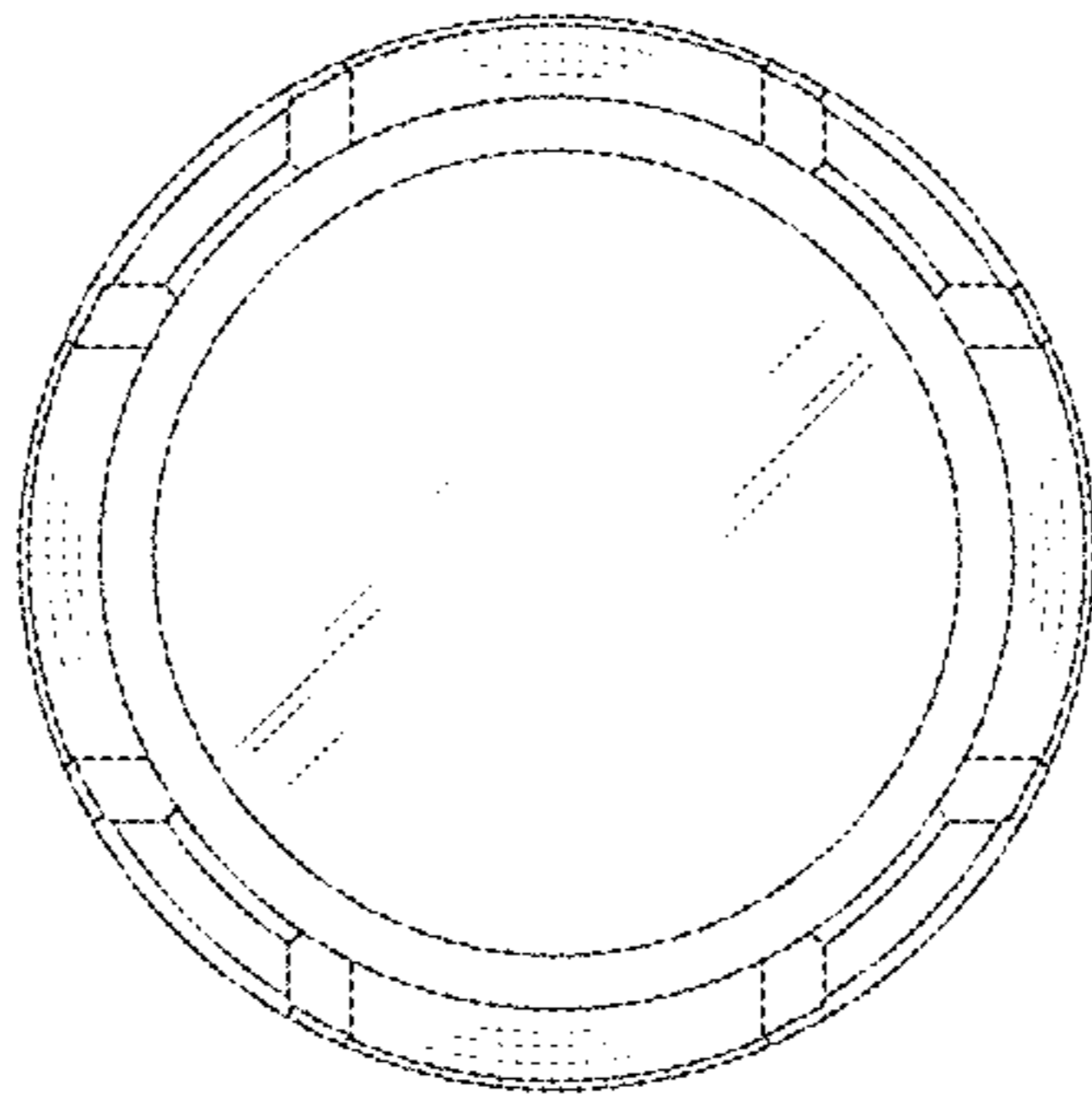


FIG. 7

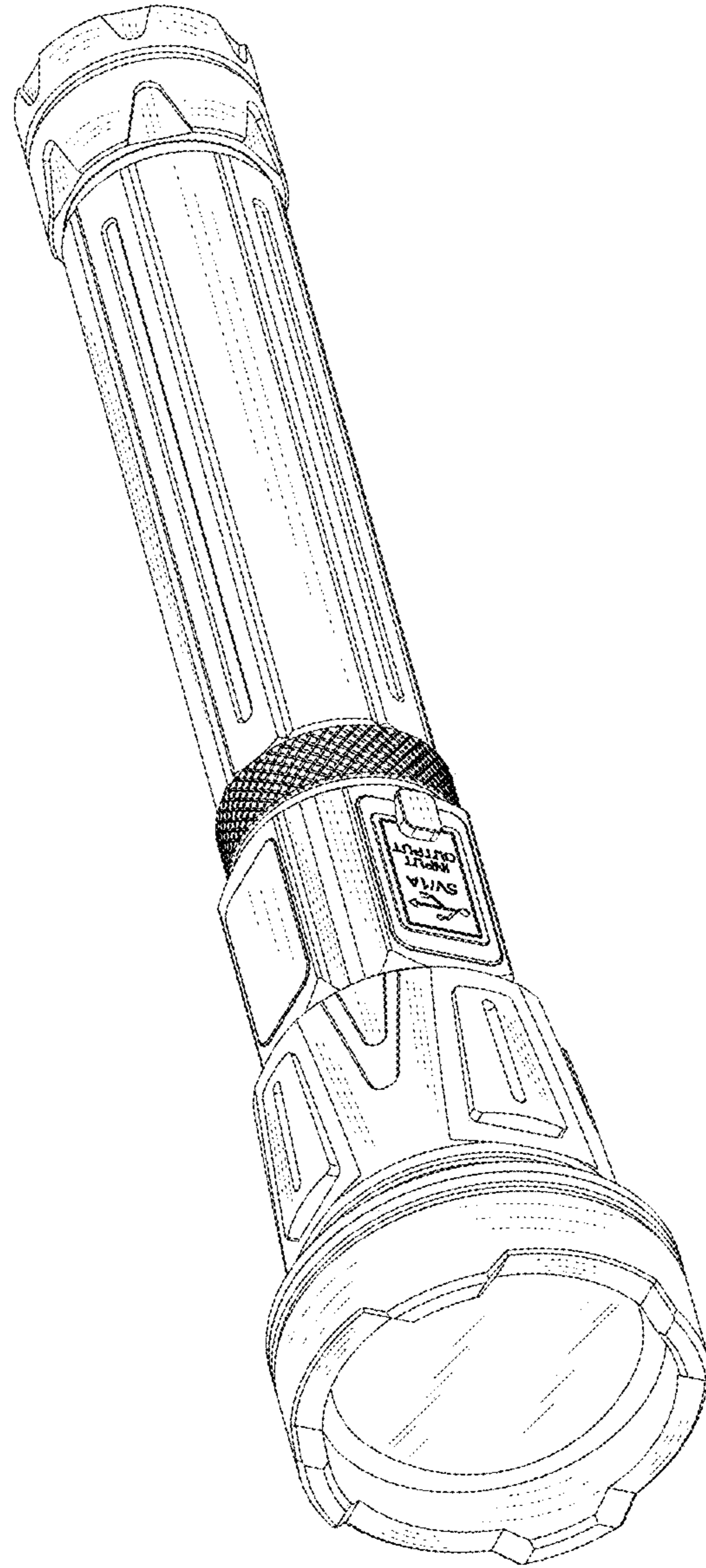


FIG. 8

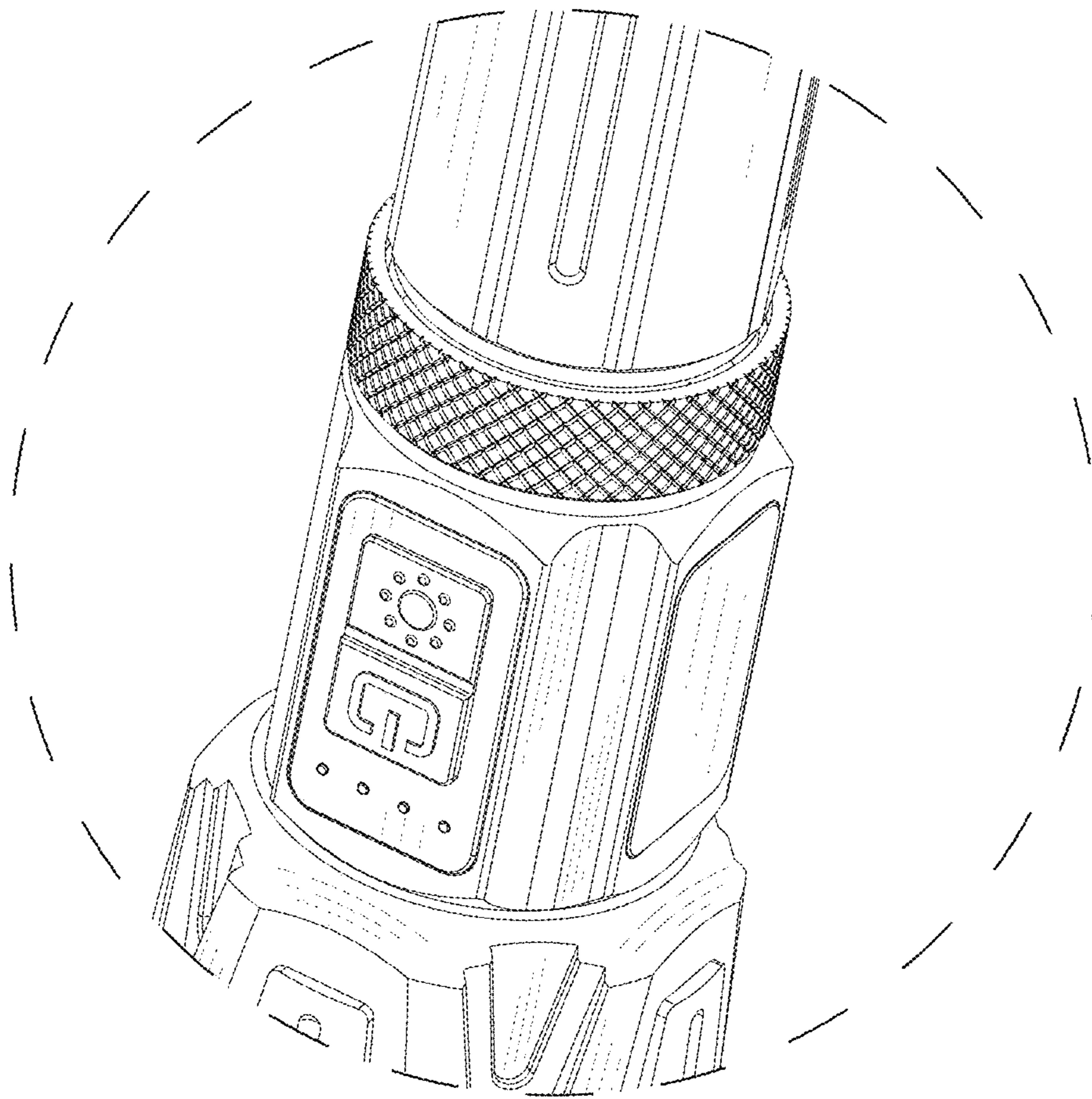


FIG. 9