



US00D972755S

(12) **United States Design Patent**
Zhao

(10) **Patent No.:** **US D972,755 S**

(45) **Date of Patent:** **** Dec. 13, 2022**

(54) **FLASHLIGHT**

(71) Applicant: **TECHNOMATE MANUFACTORY LIMITED**, Hong Kong (CN)

(72) Inventor: **Hebing Zhao**, Dongguan (CN)

(73) Assignee: **TECHNOMATE MANUFACTORY LIMITED**, Hong Kong (CN)

(**) Term: **15 Years**

(21) Appl. No.: **29/750,592**

(22) Filed: **Sep. 15, 2020**

(51) **LOC (13) Cl.** **26-02**

(52) **U.S. Cl.**
USPC **D26/49**

(58) **Field of Classification Search**
USPC D26/24, 37-52, 113, 118-119, 138
CPC F21Y 2115/10; F21Y 2113/13; F21Y 2103/10; F21Y 2101/00; F21Y 2107/40; F21Y 2105/10; F21Y 2105/18; F21Y 2113/00; F21Y 2113/10; F21Y 2113/17; F21Y 2113/20; F21L 4/005; F21L 4/027; F21L 4/085; F21L 4/08; F21L 4/045; F21L 4/00; F21L 4/02; F21L 4/022; F21L 4/04; F21L 4/025; F21L 13/00; F21L 14/02; F21L 2/00; F21V 23/0414; F21V 23/0428; F21V 21/0965; F21V 23/0421; F21V 15/01; F21V 21/0885; F21V 21/406; F21V 23/0407; F21V 23/06; F21V 33/0064; F21V 33/0084; F21V 14/025; F21V 23/003; F21V 23/04; F21V 14/065; F21V 21/084; F21V 21/08; F21V 21/30; F21V 23/0435; F21V 31/00; F21V 31/005; F21V 33/0076; F21V 33/008; F21V 5/006; F21V 7/0075; F21V 14/045; F21V 15/012; F21V 17/12; F21V 19/02; F21V 21/0816; F21V 21/0925; F21V 23/0464; F21V 23/0471; F21V 5/04; F21V 13/045; F21V 17/002; F21V 21/096; F21V 21/145; F21V 23/023; F21V 23/0442; F21V 29/70; F21V

33/0068; F21V 3/00; F21V 9/083; F21V 9/20; F21V 13/14; F21V 14/04; F21V 14/06; F21V 15/00; F21V 17/02; F21V 17/06; F21V 17/10; F21V 17/105; F21V 17/107; F21V 19/001; F21V 19/047; F21V 21/00; F21V 21/002; F21V
(Continued)

(56) **References Cited**

U.S. PATENT DOCUMENTS

1,958,796 A 5/1934 Mercer
4,265,984 A 5/1981 Kaye
(Continued)

FOREIGN PATENT DOCUMENTS

EP 2314912 4/2011
WO WO201549704 4/2015

Primary Examiner — Marissa J Cash
Assistant Examiner — William B Melliar
(74) *Attorney, Agent, or Firm* — Garson & Gutierrez, PC

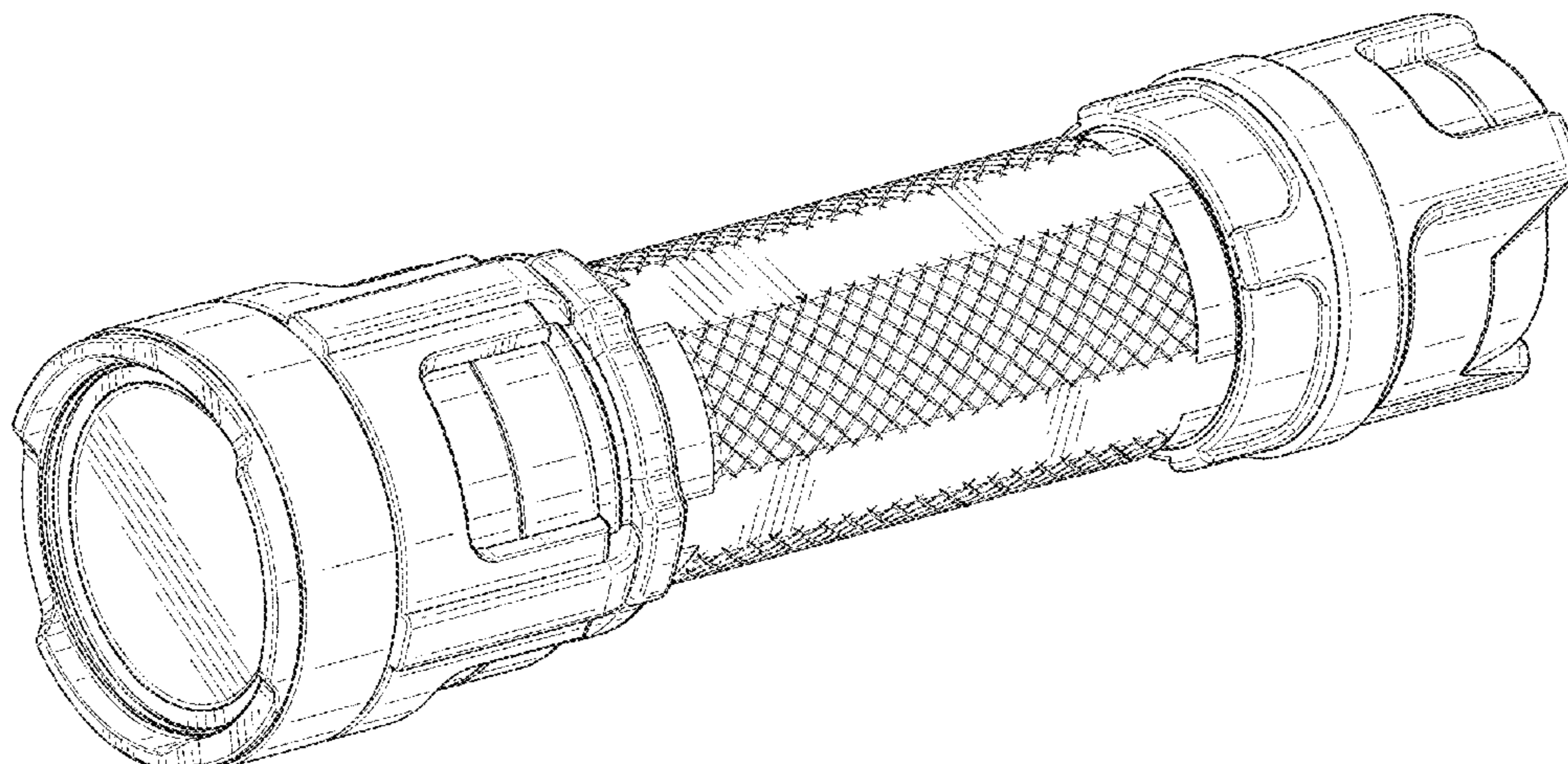
(57) **CLAIM**

The ornamental design for a flashlight, as shown and described.

DESCRIPTION

FIG. 1 is a perspective view of a flashlight, showing our new design;
FIG. 2 is a front side elevation view of the flashlight of FIG. 1;
FIG. 3 is a back side elevation view of the flashlight of FIG. 1;
FIG. 4 is a right side elevation of the flashlight of FIG. 1;
FIG. 5 is a left side elevation view of the flashlight of FIG. 1;
FIG. 6 is a top plan view of the flashlight of FIG. 1; and
FIG. 7 is a bottom plan view of the flashlight of FIG. 1.

(Continued)



The broken lines in the drawings depict portions of the flashlight that form no part of the claimed design.

1 Claim, 4 Drawing Sheets

(58) Field of Classification Search

CPC 21/06; F21V 21/14; F21V 21/22; F21V 21/26; F21V 21/32; F21V 23/001; F21V 23/002; F21V 23/005; F21V 23/02; F21V 23/045; F21V 23/0492; F21V 25/04; F21V 29/15; F21V 29/503; F21V 29/508; F21V 29/713; F21V 29/763; F21V 29/767; F21V 29/89; F21V 29/90; F21V 33/00; F21V 33/0004; F21V 33/0052; F21V 3/02; F21V 5/00; F21V 5/008; F21V 5/046; F21V 5/048; F21V 5/08; F21V 7/0008; F21V 7/0083; F21V 7/04; F21V 7/041; F21V 7/06; F21V 7/22; F21V 7/24

See application file for complete search history.

(56) References Cited

U.S. PATENT DOCUMENTS

5,174,649 A 12/1992 Alston
 5,227,263 A 7/1993 Blier
 5,667,293 A 9/1997 Own
 5,931,562 A 8/1999 Arato
 5,971,562 A 10/1999 Yang
 6,046,572 A 4/2000 Matthews et al.
 6,238,818 B1 5/2001 Dalton
 6,303,248 B1 10/2001 Peterson
 6,394,622 B1 5/2002 Macek
 6,443,594 B1 9/2002 Marshall
 6,485,160 B1 12/2002 Sommers
 6,773,139 B2 8/2004 Sommers
 6,802,622 B2 10/2004 Hsien
 6,841,941 B2 1/2005 Kim

6,851,828 B1 2/2005 Hansen
 7,048,408 B2 5/2006 Dallas
 7,083,297 B2 8/2006 Matthews
 7,091,694 B1 8/2006 Barton
 7,284,871 B2 10/2007 Oon
 D566,309 S * 4/2008 Kornfeld D26/37
 7,438,431 B2 10/2008 Ford
 7,461,944 B2 12/2008 Alessio
 7,509,955 B2 3/2009 Cole
 7,568,816 B2 8/2009 Brass
 7,651,240 B2 1/2010 Bayat
 7,690,815 B2 4/2010 Dallas et al.
 7,988,318 B1 8/2011 Smith
 3,066,402 A1 11/2011 Klipstein
 8,100,540 B2 1/2012 Huebner
 8,317,357 B2 11/2012 Bayat
 8,388,167 B2 3/2013 Klipstein
 8,591,077 B2 11/2013 Okada
 8,801,233 B2 8/2014 Lu
 9,055,670 B2 6/2015 Su et al.
 D774,230 S * 12/2016 Prieto D26/49
 9,534,750 B2 1/2017 Pritchett
 9,562,672 B2 2/2017 Jorgensen
 9,651,222 B2 5/2017 Jorgensen
 D802,193 S * 11/2017 Green D26/49
 D802,195 S * 11/2017 Huang D26/49
 D814,088 S * 3/2018 Cao D26/49
 10,096,805 B1 10/2018 Lewis
 D895,183 S * 9/2020 Qiu D26/49
 D897,579 S * 9/2020 Le D26/37
 D900,369 S * 10/2020 Liu D26/49
 2003/0147237 A1 8/2003 Halasz
 2003/0189826 A1 10/2003 Yoon
 2004/0130891 A1 7/2004 Twardawski
 2004/0240201 A1 12/2004 Rausseck
 2005/0157492 A1 7/2005 Chiu
 2007/0030673 A1 2/2007 Hull
 2009/0040752 A1 2/2009 Dallas
 2010/0177507 A1 7/2010 West et al.
 2010/0259220 A1 10/2010 Crawford
 2012/0033416 A1 2/2012 Ballard
 2015/0159830 A1 6/2015 Joergensen

* cited by examiner

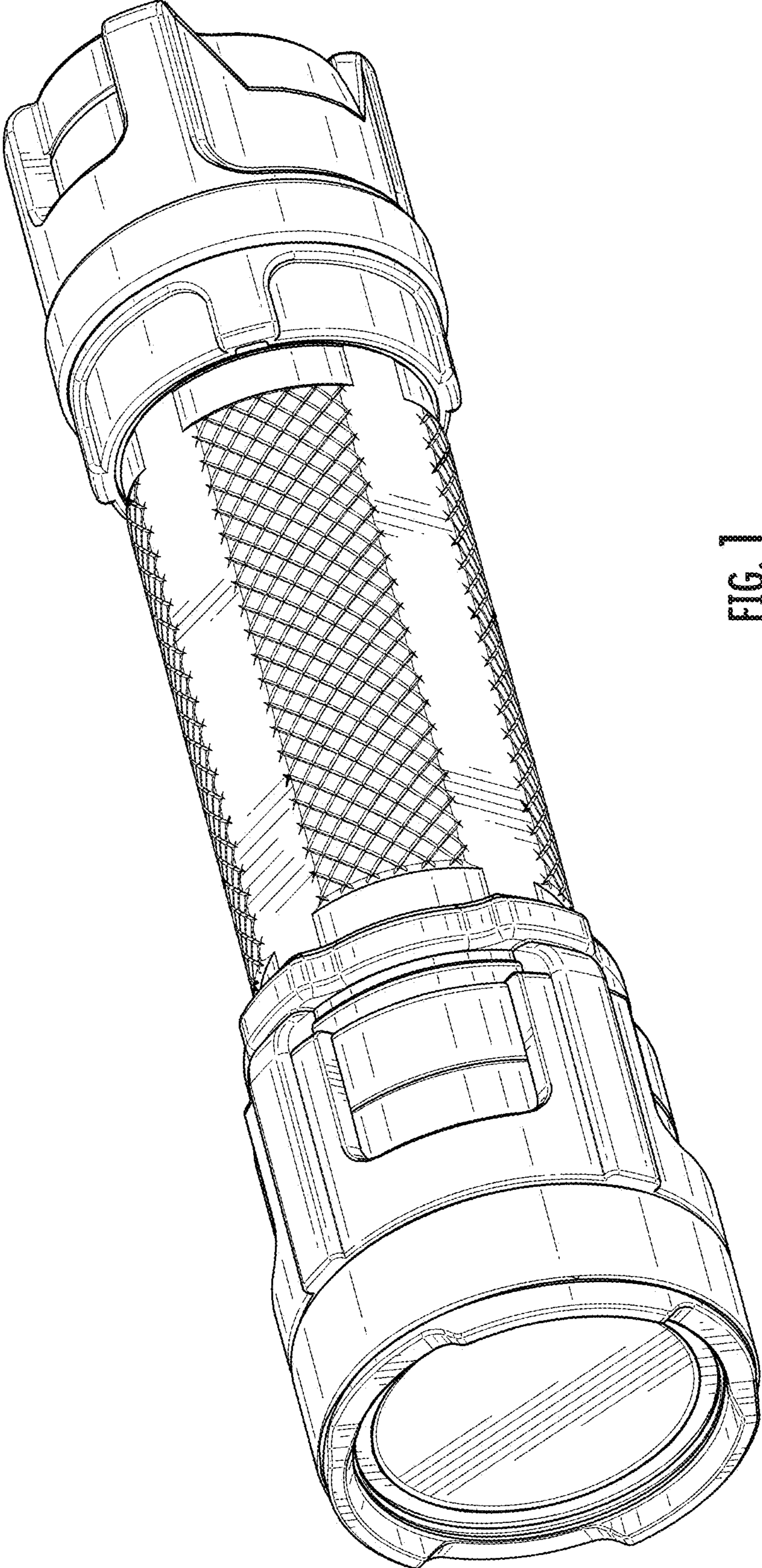


FIG. 1

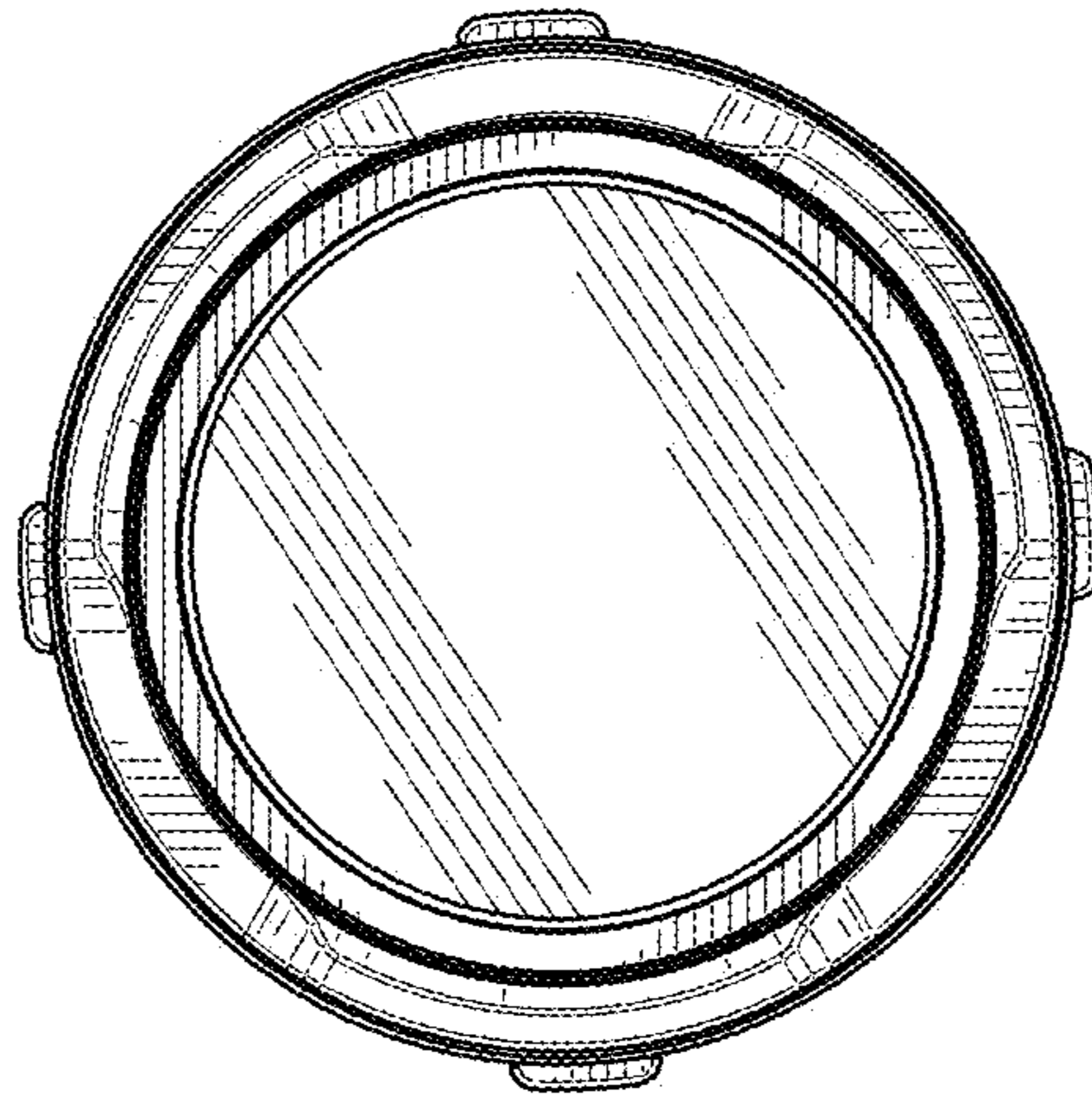


FIG. 2

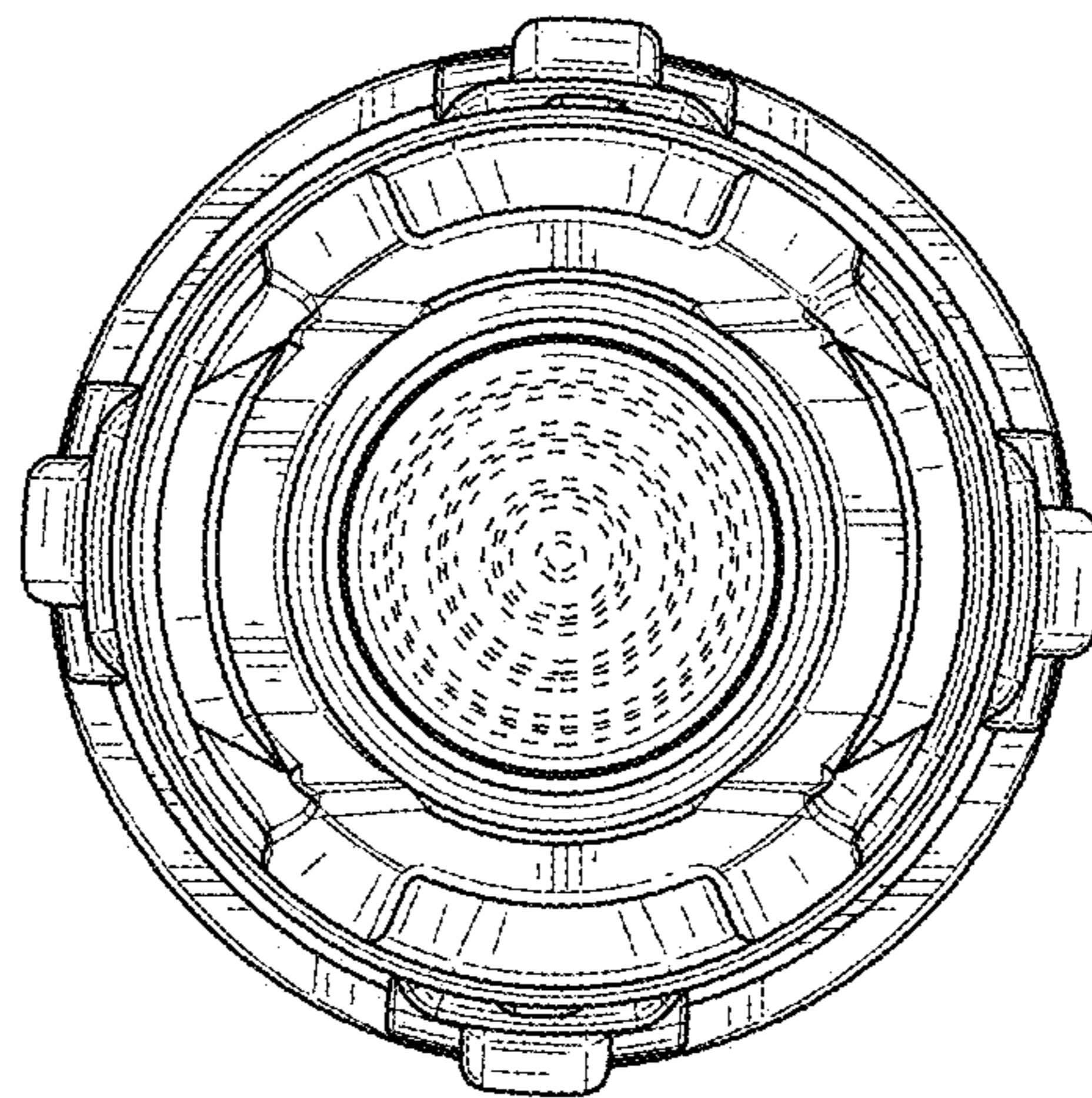


FIG. 3

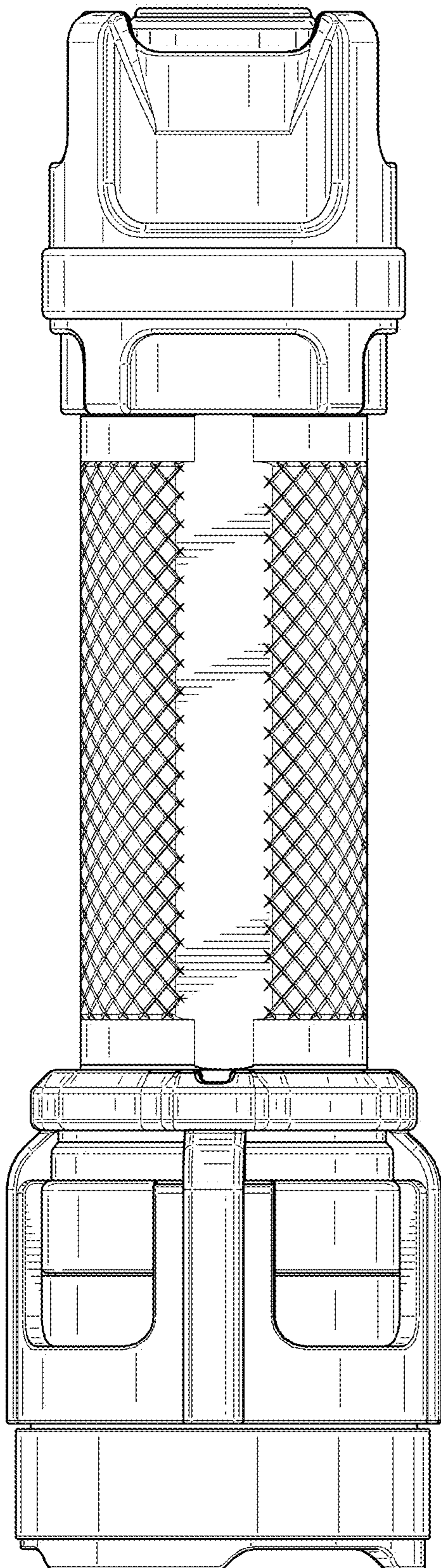


FIG. 4

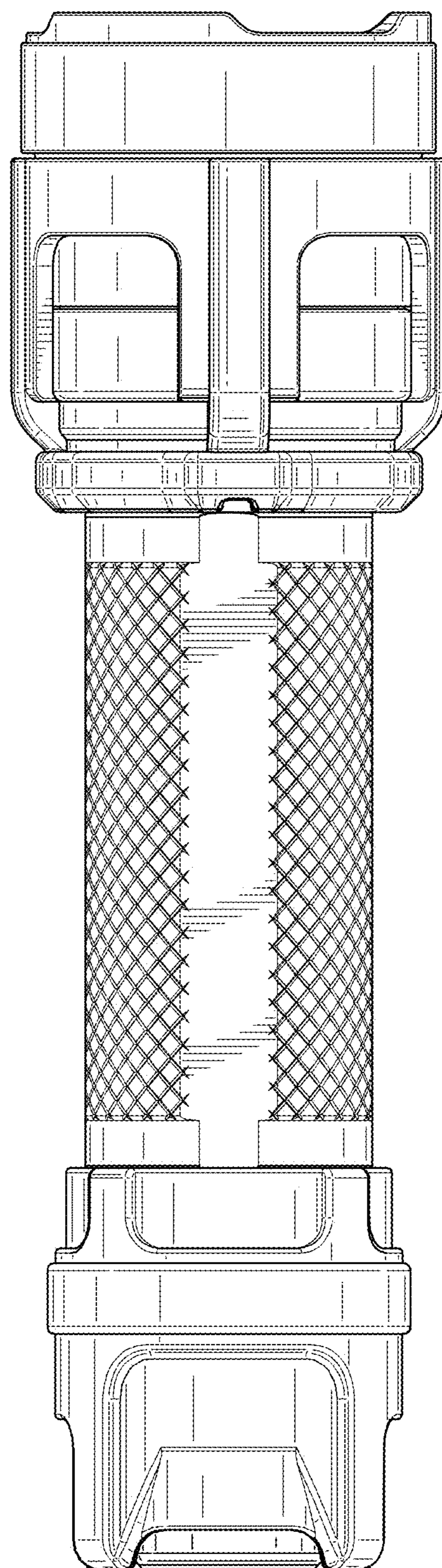


FIG. 5

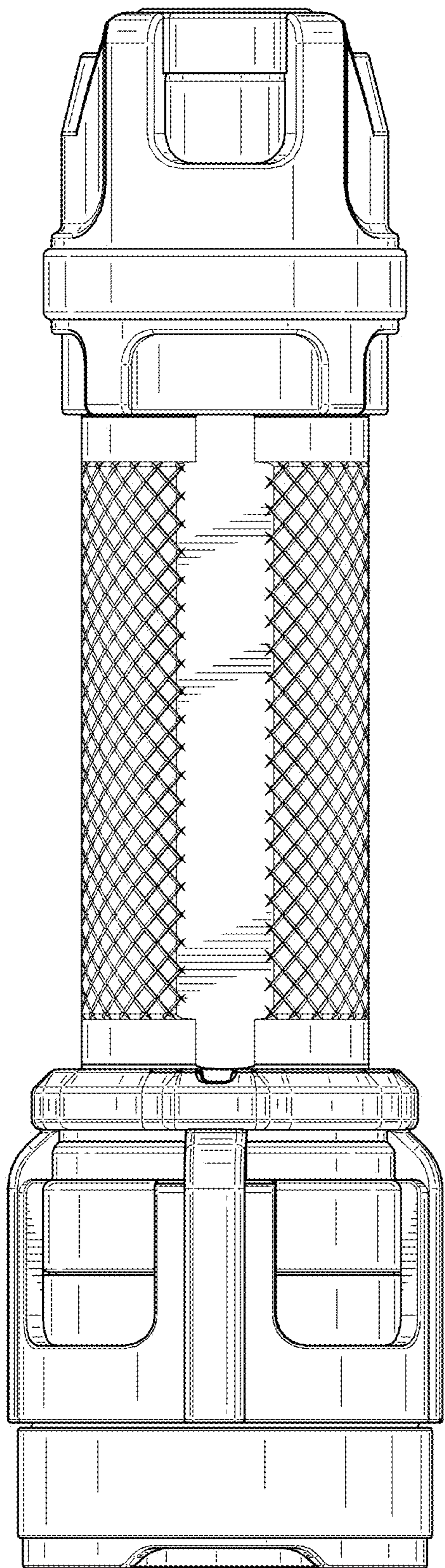


FIG. 6

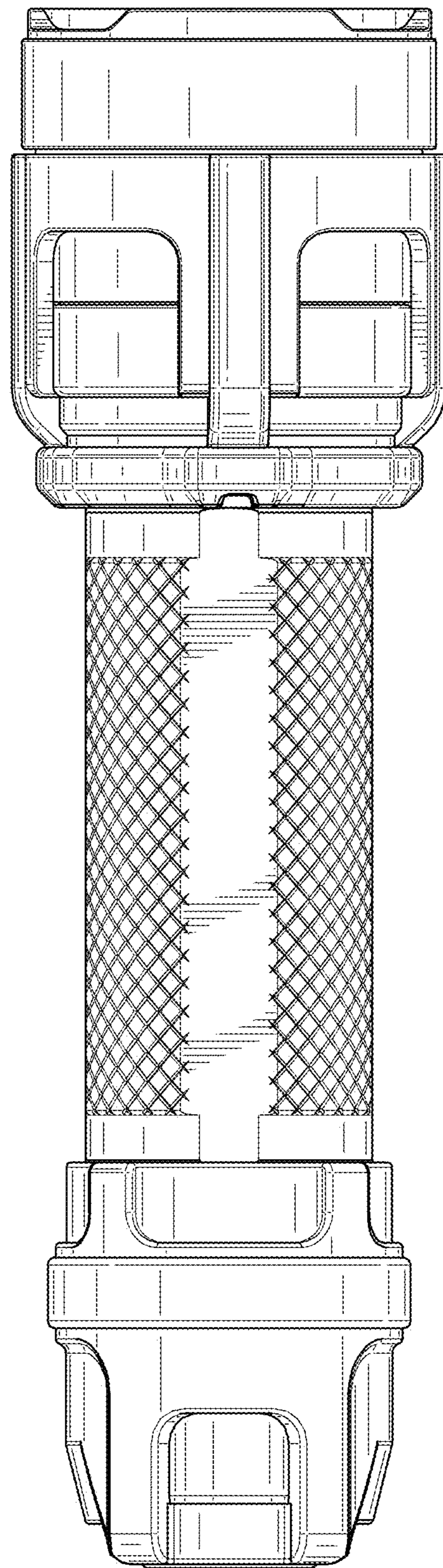


FIG. 7