



US00D972754S

(12) **United States Design Patent** (10) **Patent No.:** **US D972,754 S**
Wu (45) **Date of Patent:** **** Dec. 13, 2022**

(54) **POCKET LIGHT WITH MAGNET**

F21V 29/70; F21V 29/76; F21V 29/77;
F21V 33/0008; F21V 5/00; F21V 5/008;
F21V 7/00

(71) Applicant: **Liuning Wu**, Ningbo (CN)

See application file for complete search history.

(72) Inventor: **Liuning Wu**, Ningbo (CN)

(56) **References Cited**

(73) Assignee: **Ningbo Worth International Trade Co., Ltd.**, Ningbo (CN)

U.S. PATENT DOCUMENTS

(**) Term: **15 Years**

| | | | | |
|--------------|---------|------------|-------|---------|
| D405,551 S * | 2/1999 | Lynch | | D26/37 |
| D412,338 S * | 7/1999 | Goto | | D16/239 |
| D518,584 S * | 4/2006 | Chan | | D26/37 |
| D698,960 S * | 2/2014 | Wu | | D26/48 |
| D733,950 S * | 7/2015 | Wu | | D26/37 |
| D753,855 S * | 4/2016 | Cacciabeve | | D26/37 |
| D805,666 S * | 12/2017 | Nguyen | | D26/37 |
| D867,178 S * | 11/2019 | Deng | | D10/70 |
| D875,285 S * | 2/2020 | Prieto | | D26/37 |
| D878,648 S * | 3/2020 | Zhao | | D26/37 |
| D903,172 S * | 11/2020 | Ni | | D26/38 |

(21) Appl. No.: **29/722,887**

(22) Filed: **Feb. 3, 2020**

(30) **Foreign Application Priority Data**

Oct. 15, 2019 (CN) 201930560333.3

(Continued)

(51) **LOC (13) Cl.** **26-02**

(52) **U.S. Cl.**
USPC **D26/38**

(58) **Field of Classification Search**
USPC D26/24, 37-52, 54, 56, 60, 61, 113, 118
CPC F21Y 2115/10; F21Y 2113/13; F21Y 2115/30; F21Y 2113/10; F21Y 2103/10; F21Y 2105/10; F21Y 2105/12; F21Y 2107/70; F21Y 2113/17; F21Y 2113/20; F21Y 2115/00; F21V 21/084; F21V 15/01; F21V 23/002; F21V 23/0414; F21V 23/0492; F21V 21/0816; F21V 21/096; F21V 21/0965; F21V 21/145; F21V 21/30; F21V 23/003; F21V 23/0471; F21V 5/04; F21V 14/06; F21V 17/02; F21V 23/023; F21V 23/0442; F21V 14/025; F21V 14/04; F21V 17/007; F21V 17/06; F21V 17/105; F21V 17/12; F21V 21/002; F21V 21/0885; F21V 21/10; F21V 23/007; F21V 23/02; F21V 23/0428; F21V 23/0478; F21V 23/0485; F21V 23/06; F21V 29/15; F21V 29/502; F21V 29/56; F21V 29/58; F21V 29/59;

Primary Examiner — Marissa J Cash
Assistant Examiner — William B Melliar
(74) *Attorney, Agent, or Firm* — Minta Law Group LC;
Veronica-Adele R. Cao

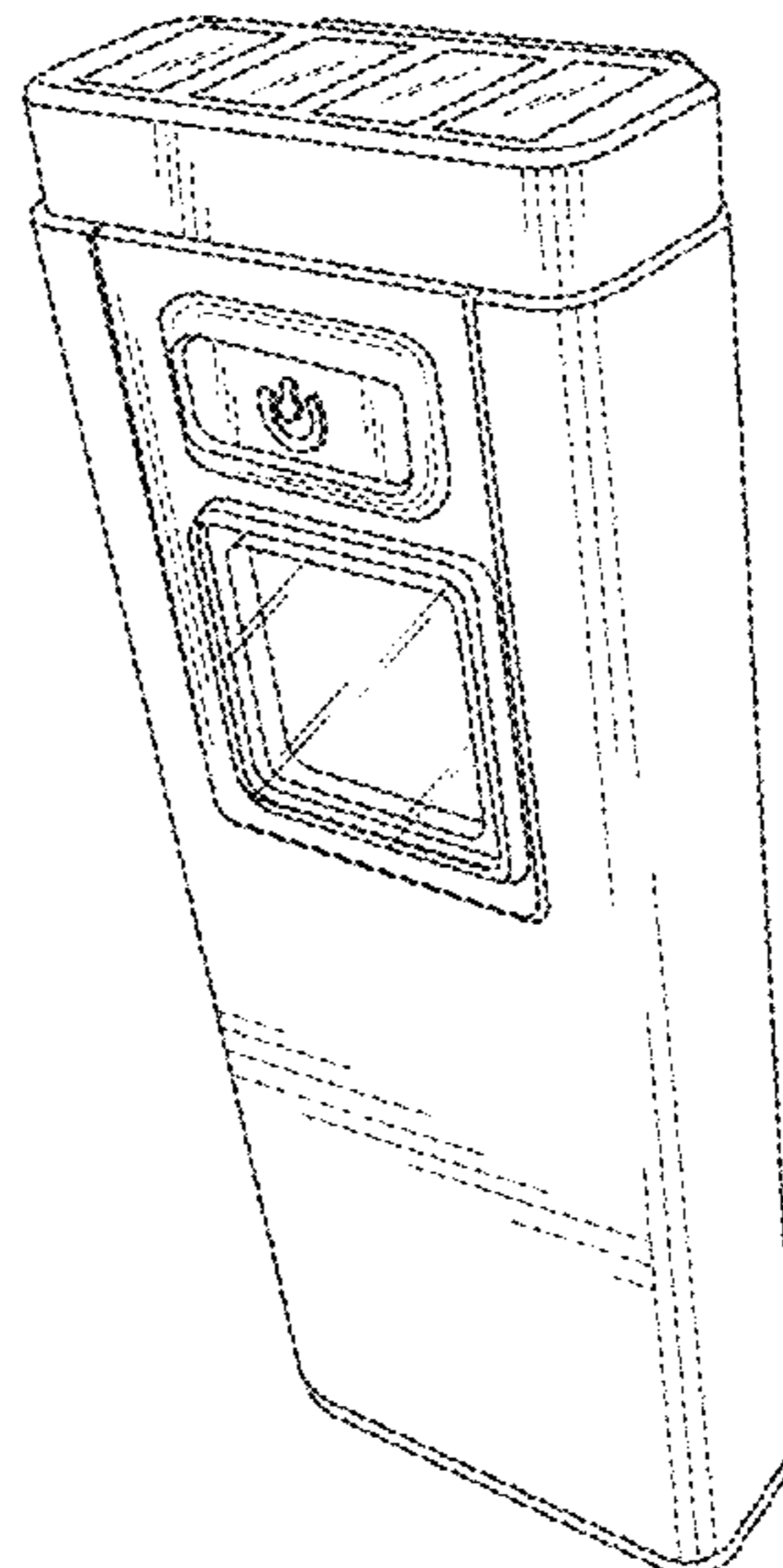
(57) **CLAIM**

The ornamental design for a pocket light with magnet, as shown and described.

DESCRIPTION

FIG. 1 is a top front perspective view of the pocket light with magnet, showing my new design;
FIG. 2 is a bottom rear perspective view thereof;
FIG. 3 is a front view thereof;
FIG. 4 is a rear view thereof;
FIG. 5 is a left side view thereof;
FIG. 6 is a right side view thereof;
FIG. 7 is a top view thereof; and,
FIG. 8 is a bottom view of the pocket light with magnet.
The broken lines in FIG. 4 depict portions of the pocket light with magnet that form no part of the claimed design.

1 Claim, 7 Drawing Sheets



(56)

References Cited

U.S. PATENT DOCUMENTS

D921,248 S * 6/2021 Shang D26/37
D928,369 S * 8/2021 Huang D26/37

* cited by examiner

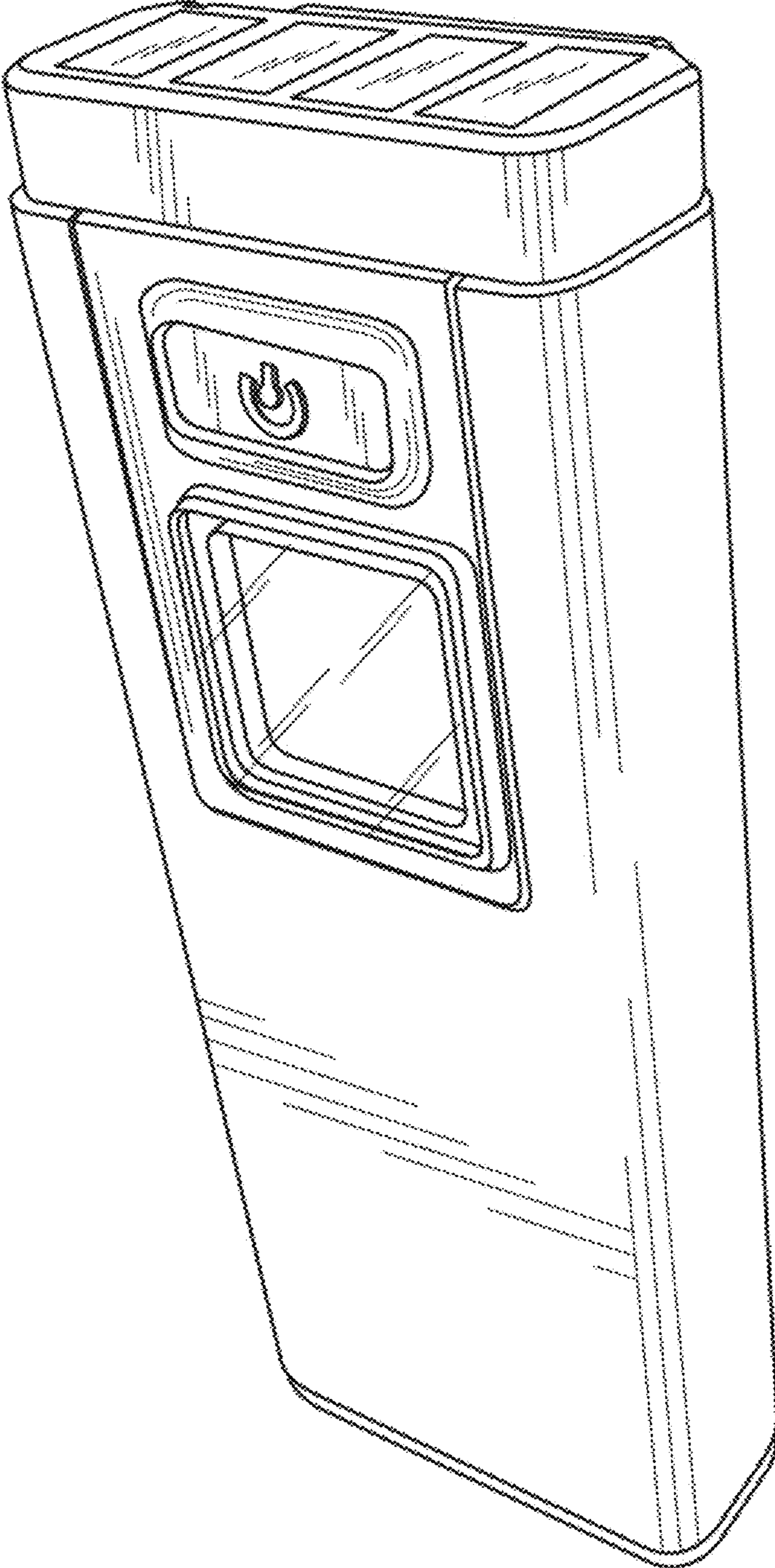


FIG. 1

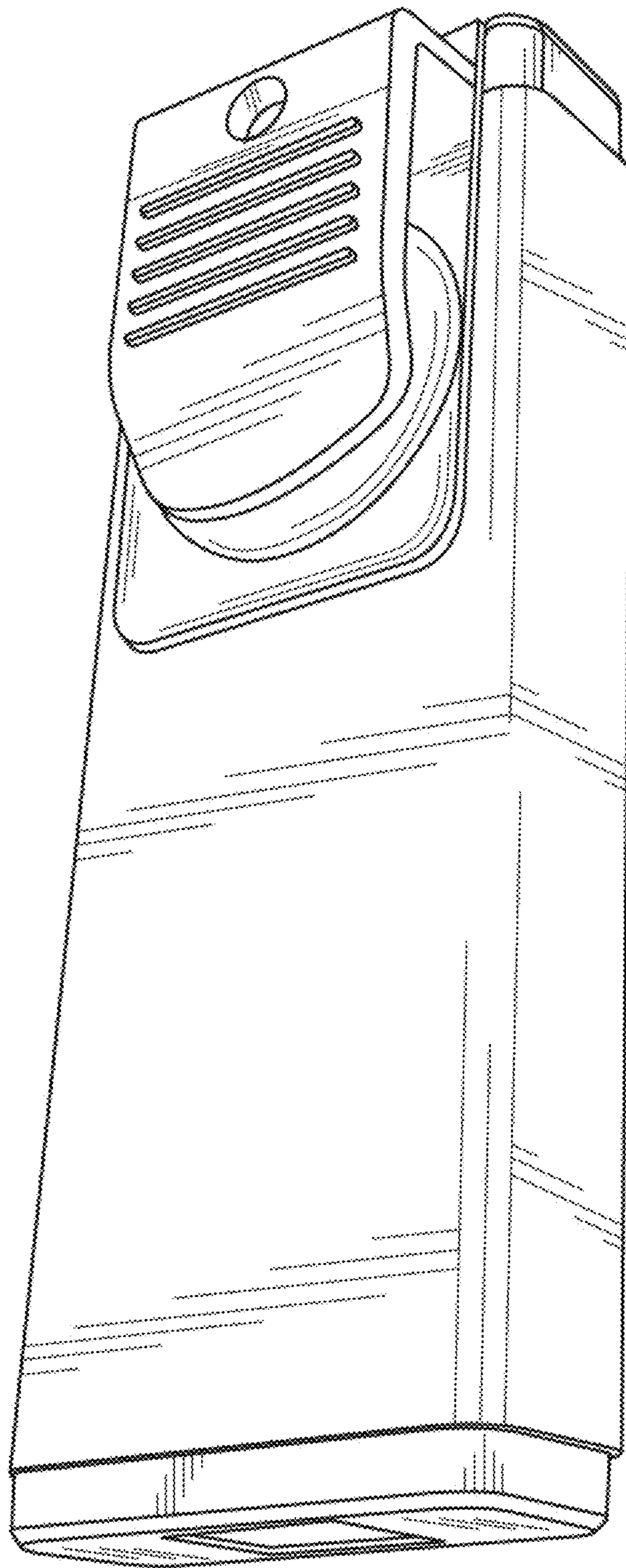


FIG. 2

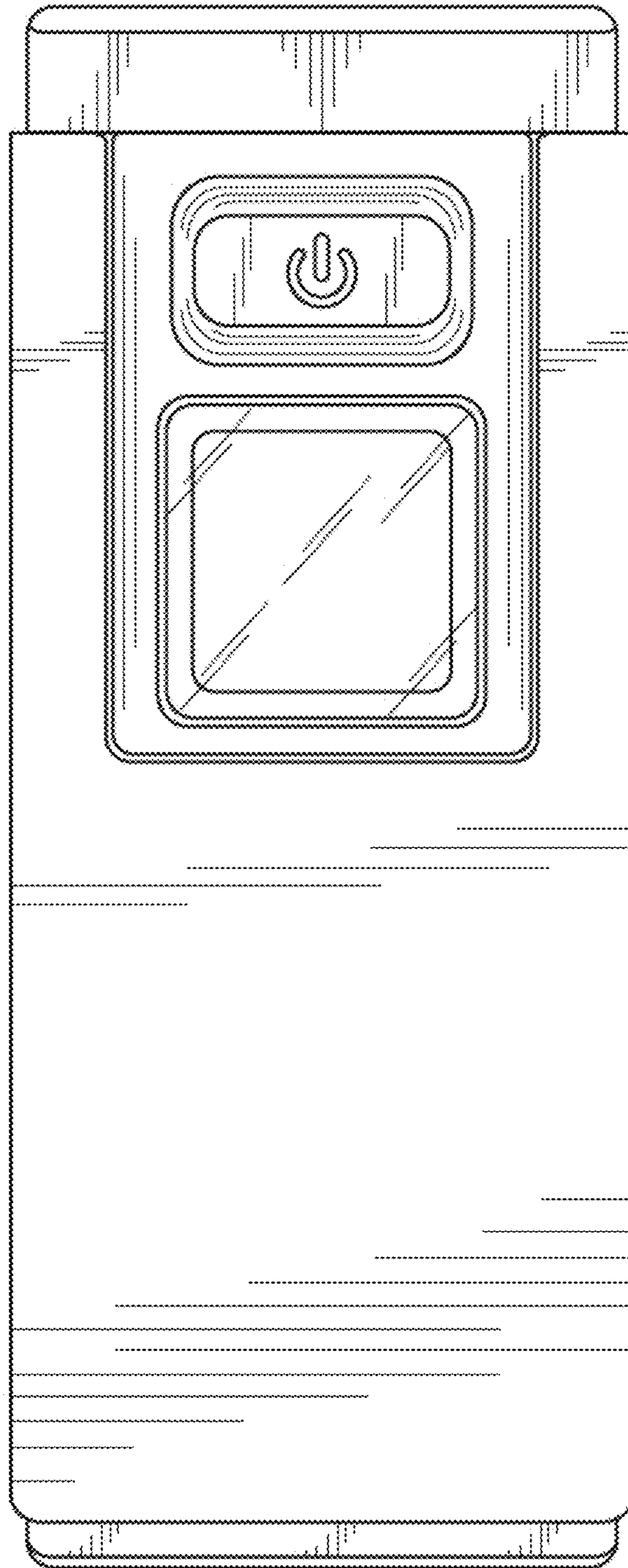


FIG. 3

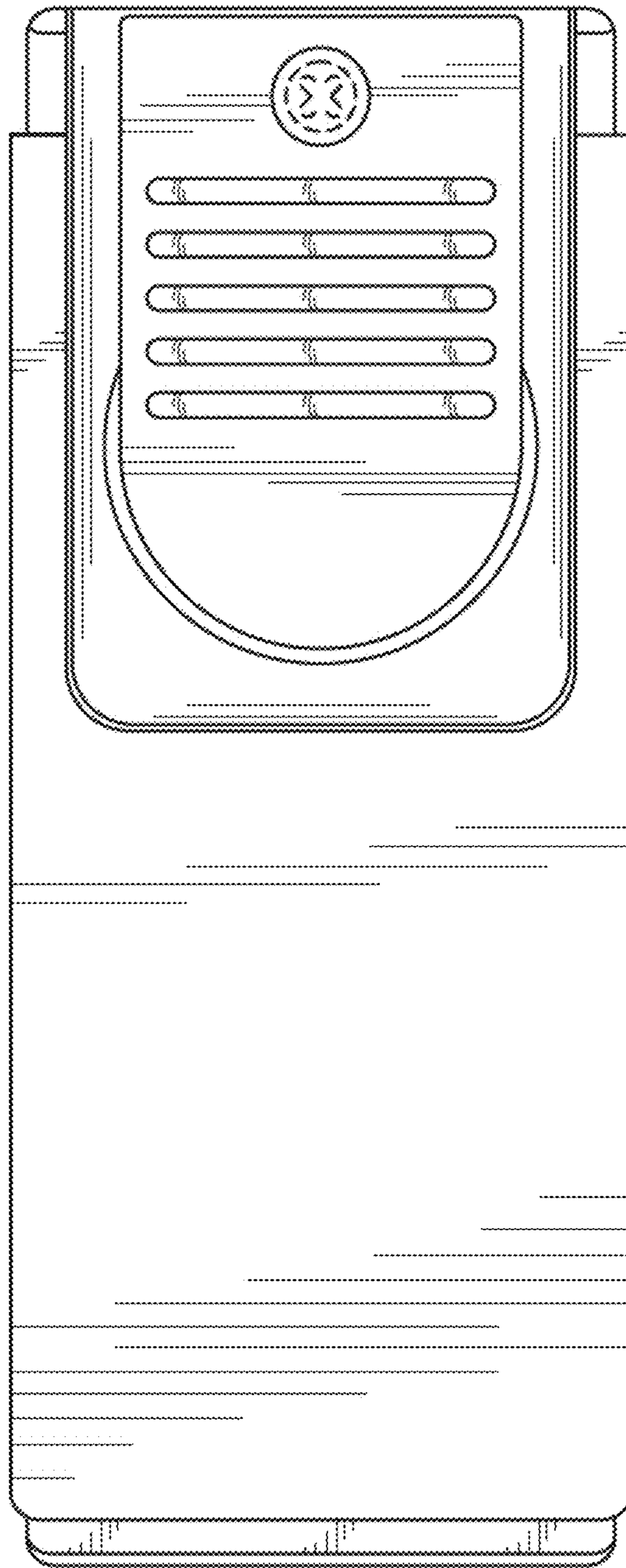


FIG. 4

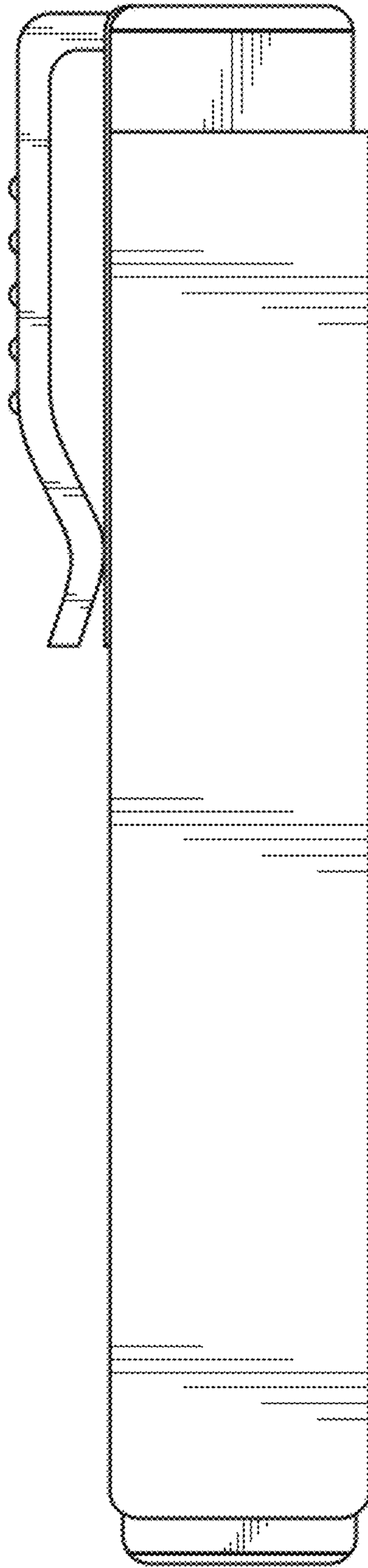


FIG. 5

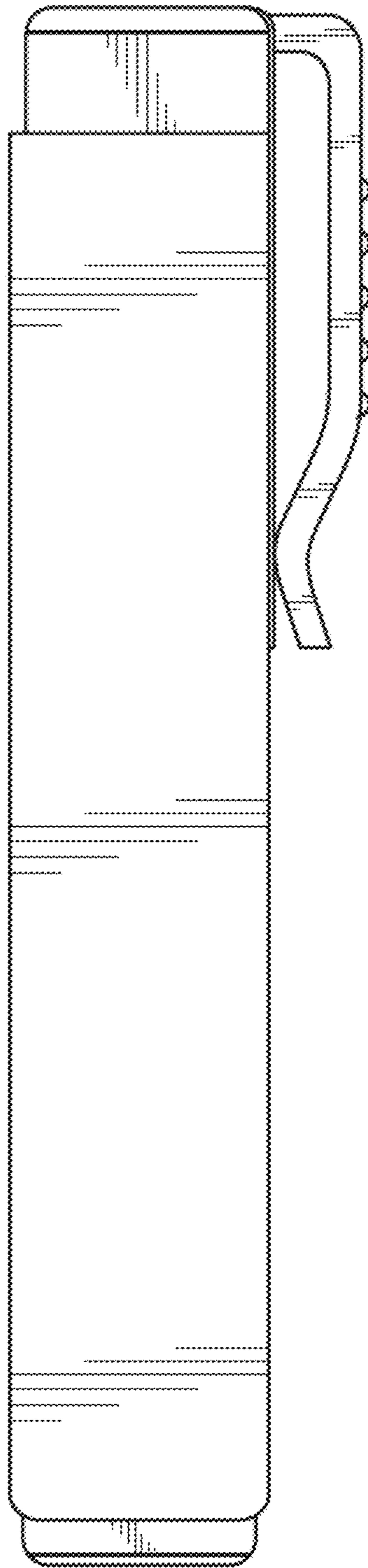


FIG. 6

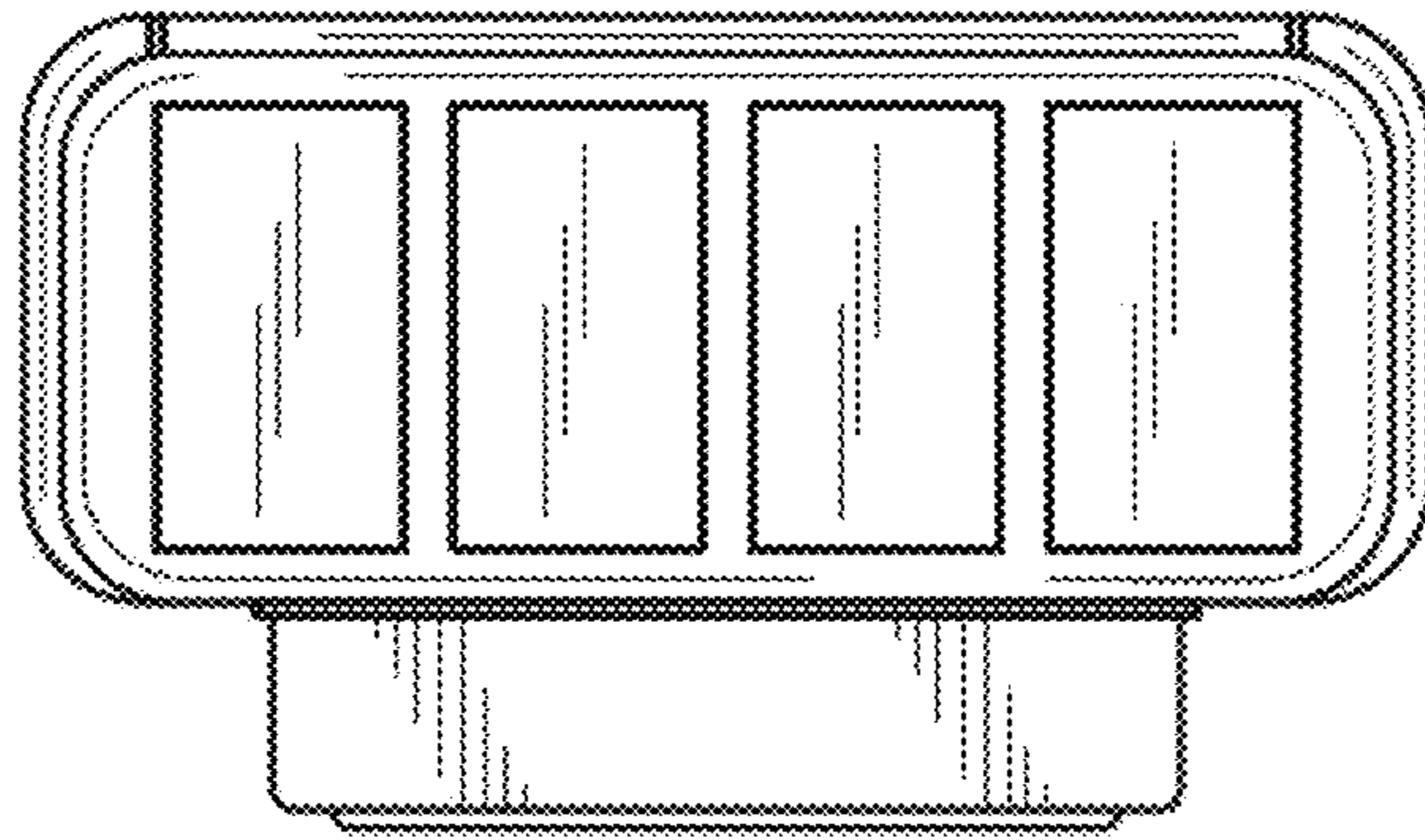


FIG. 7

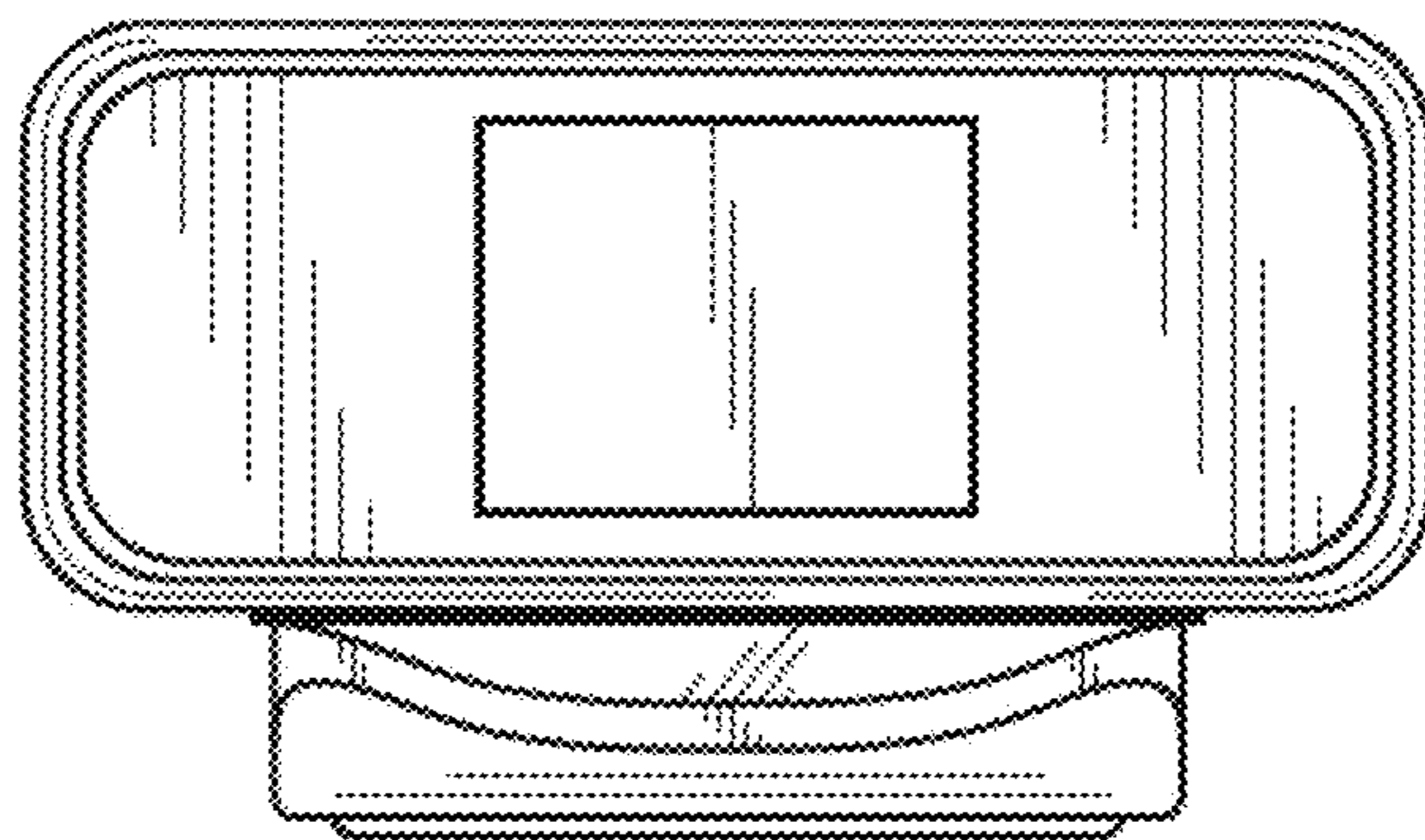


FIG. 8