



US00D972753S

(12) **United States Design Patent** (10) **Patent No.:** **US D972,753 S**
Lin (45) **Date of Patent:** **** Dec. 13, 2022**

(54) **THIRD BRAKE LIGHT**
(71) Applicant: **Nanjing Rockrolla International Trade Co., Ltd, Nanjing (CN)**
(72) Inventor: **Qingxia Lin, Ruian (CN)**
(**) Term: **15 Years**
(21) Appl. No.: **29/844,629**
(22) Filed: **Jun. 30, 2022**
(51) **LOC (13) Cl.** **26-06**
(52) **U.S. Cl.**
USPC **D26/28**
(58) **Field of Classification Search**
USPC D26/28, 29, 30, 31, 32, 33, 34, 35, 36, D26/139
CPC F21W 2103/35; F21W 2103/40; F21W 2102/17; F21W 2102/30; F21W 2103/00; F21S 41/00; F21S 41/141; F21S 41/162
See application file for complete search history.

(56) **References Cited**

U.S. PATENT DOCUMENTS

D438,655 S *	3/2001	Newman	D26/28
D549,367 S *	8/2007	Hovind	D26/28
D647,239 S *	10/2011	Beghelli	D26/74
D773,080 S *	11/2016	Liu	D26/28
D807,550 S *	1/2018	Tong	D26/35
D820,481 S *	6/2018	Yates	D26/28
D822,240 S *	7/2018	Liu	D26/28
D859,704 S *	9/2019	Norris	B60Q 1/22
				D26/28
D882,130 S *	4/2020	Liu	D26/28

D887,597 S	6/2020	Yeh	
D890,378 S *	7/2020	Chen D26/28
D890,964 S *	7/2020	Chen D26/28
D890,965 S *	7/2020	Chen D26/28
D890,966 S *	7/2020	Chen D26/28
D898,964 S *	10/2020	Hence D26/31
D921,237 S *	6/2021	Schneider, IV D26/24
D955,612 S *	6/2022	Tam D26/28
D957,700 S *	7/2022	Wu D26/28
D957,701 S *	7/2022	Wu D26/28

* cited by examiner

Primary Examiner — Keli L Hill

Assistant Examiner — Harold E Blackwell, II

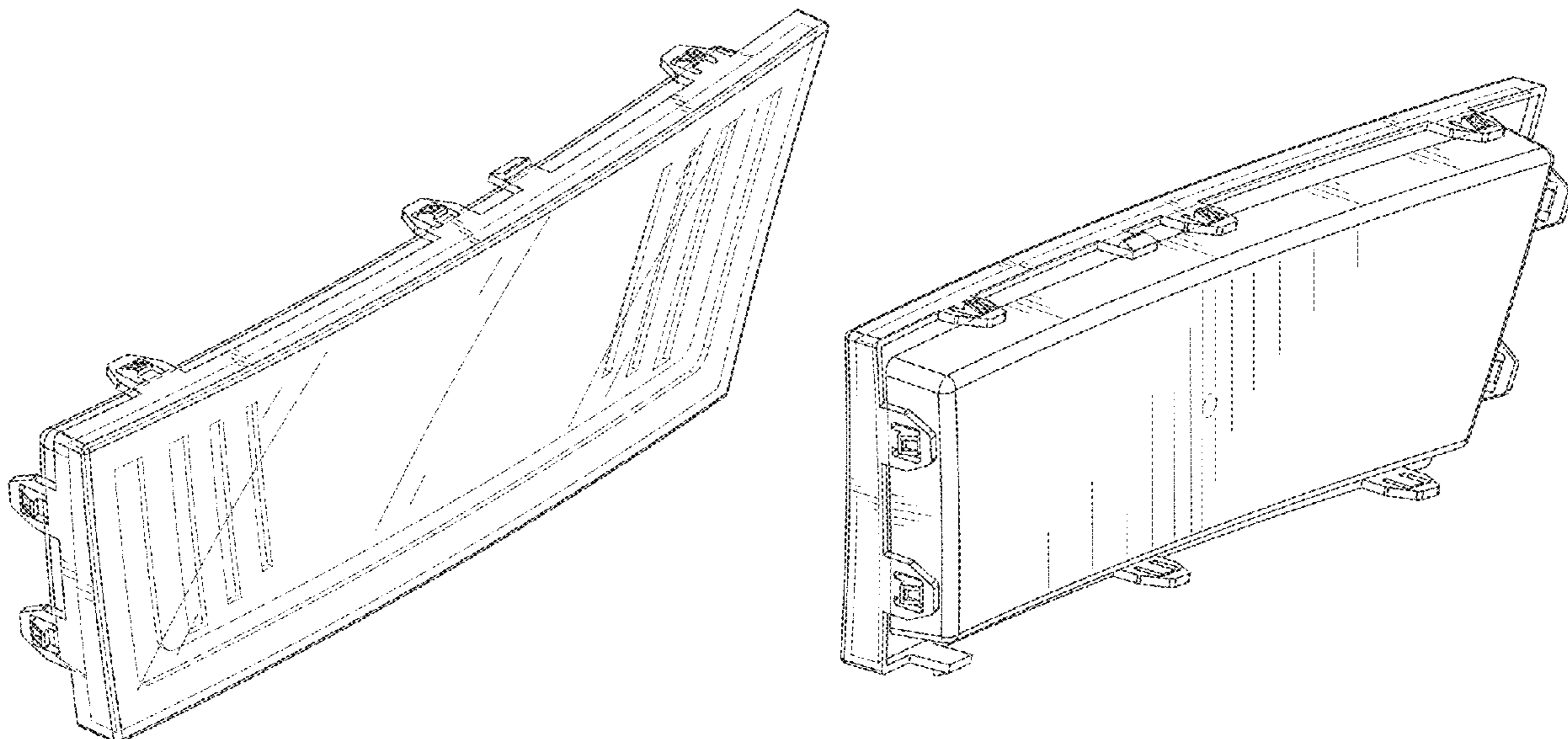
(57) **CLAIM**

The ornamental design for a third brake light, as shown and described.

DESCRIPTION

FIG. 1 is a front and top perspective view of a third brake light, showing my new design;
FIG. 2 is a rear and bottom perspective view thereof;
FIG. 3 is a front elevation view thereof;
FIG. 4 is a rear elevation view thereof;
FIG. 5 is a left side elevation view thereof;
FIG. 6 is a right side elevation view thereof;
FIG. 7 is a top plan view thereof; and,
FIG. 8 is a bottom plan view thereof.
The broken lines in the figures illustrate portions of the third brake light that form no part of the claimed design.

1 Claim, 8 Drawing Sheets



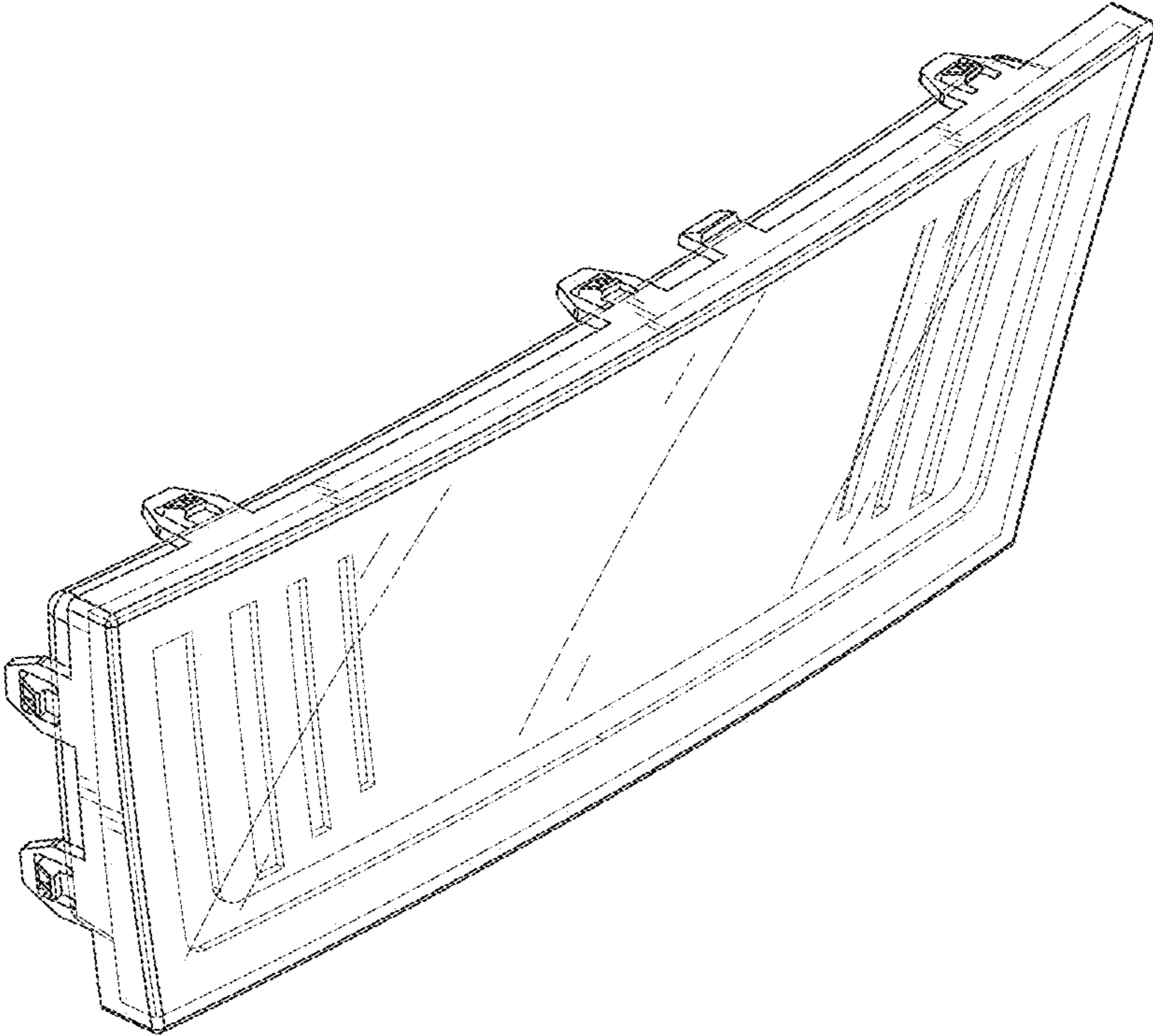


FIG. 1

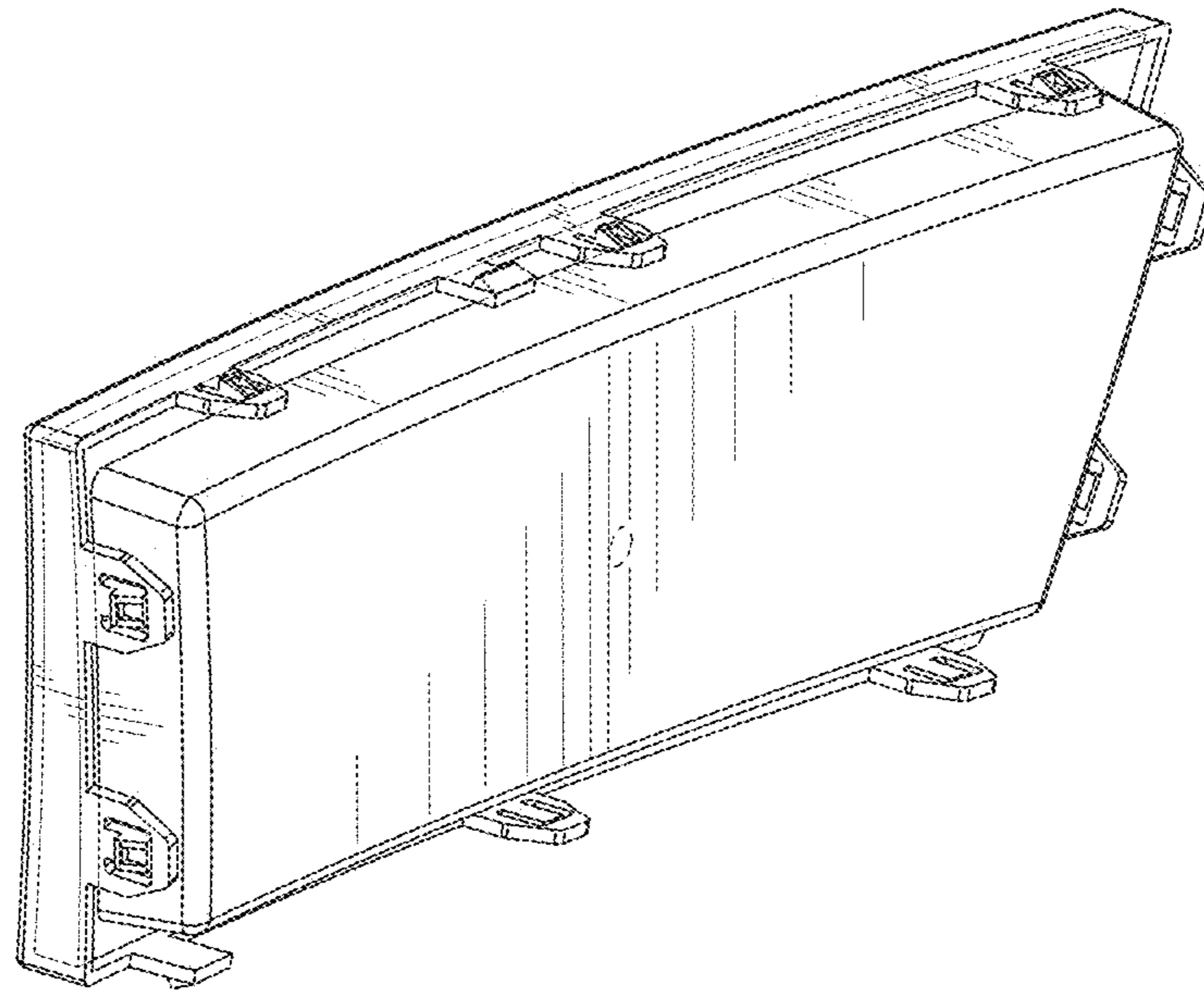


FIG. 2

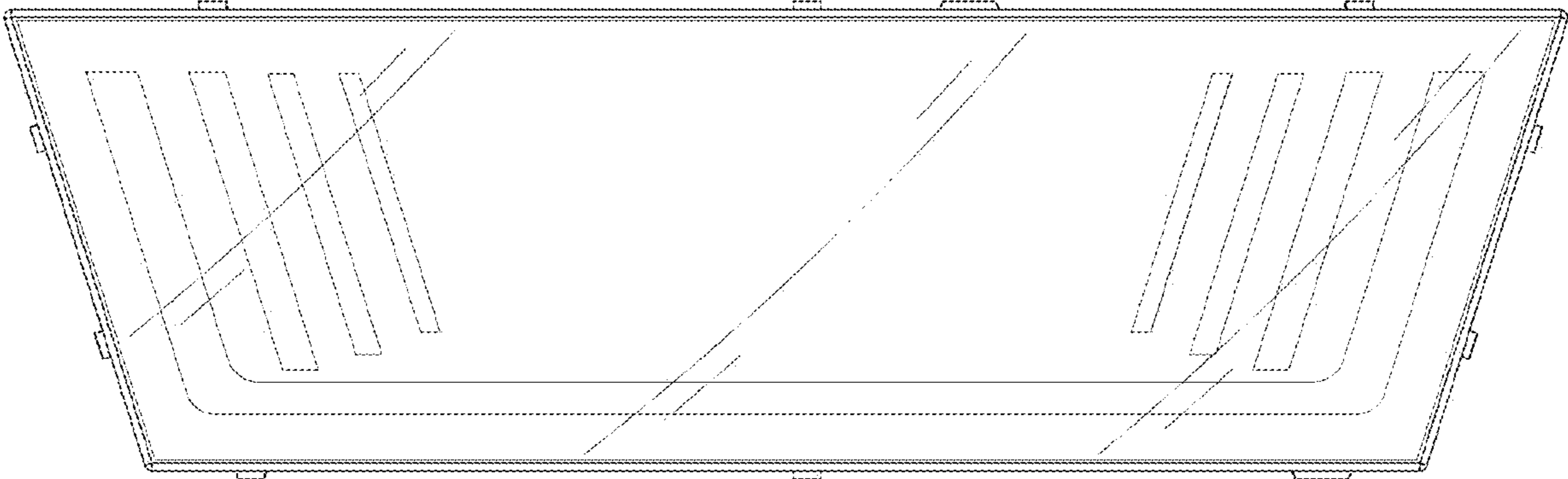


FIG. 3

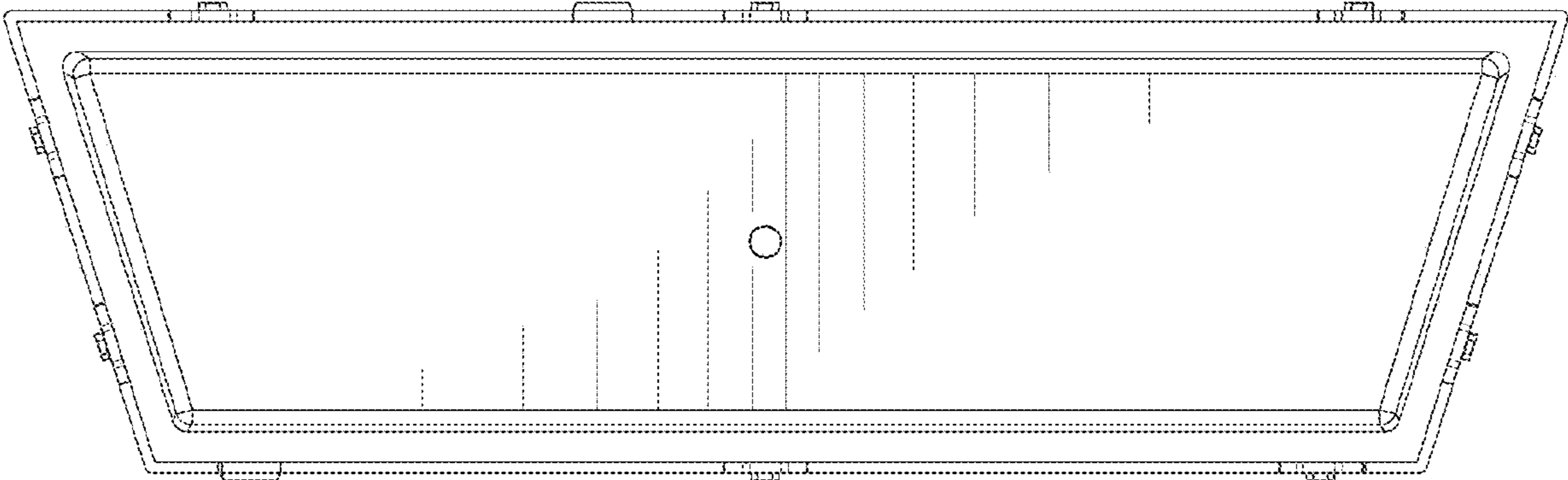


FIG. 4

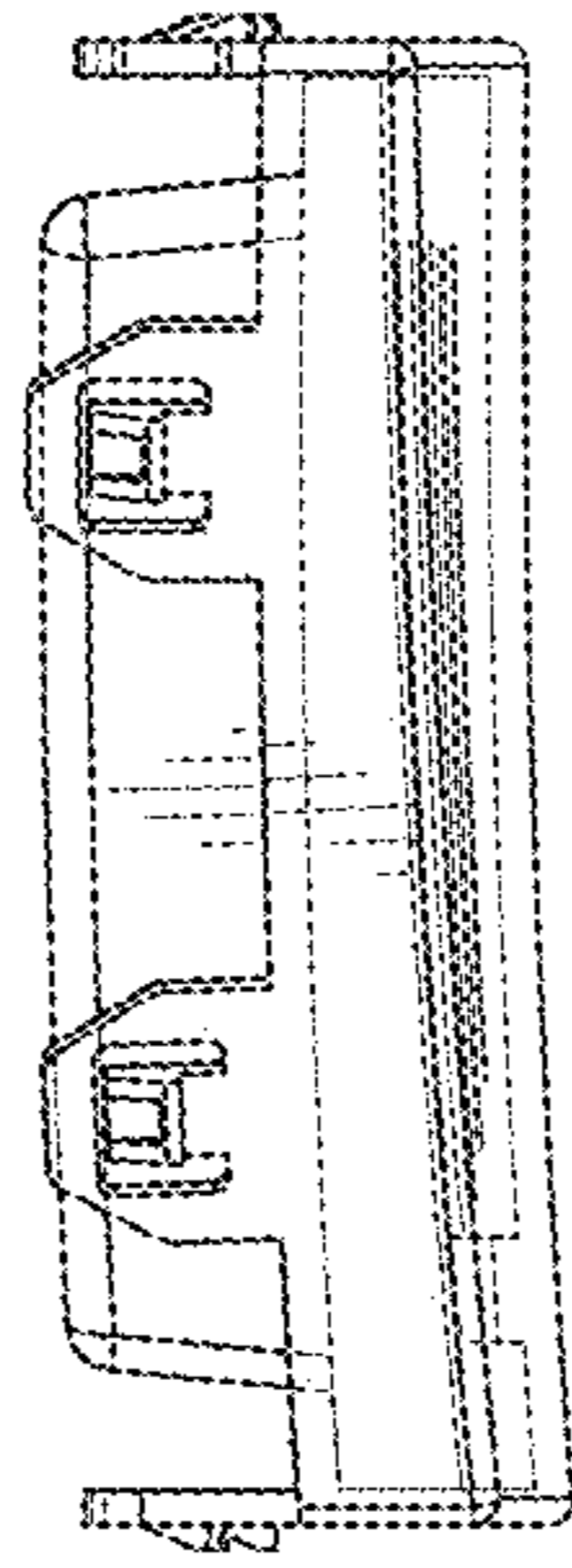


FIG. 5

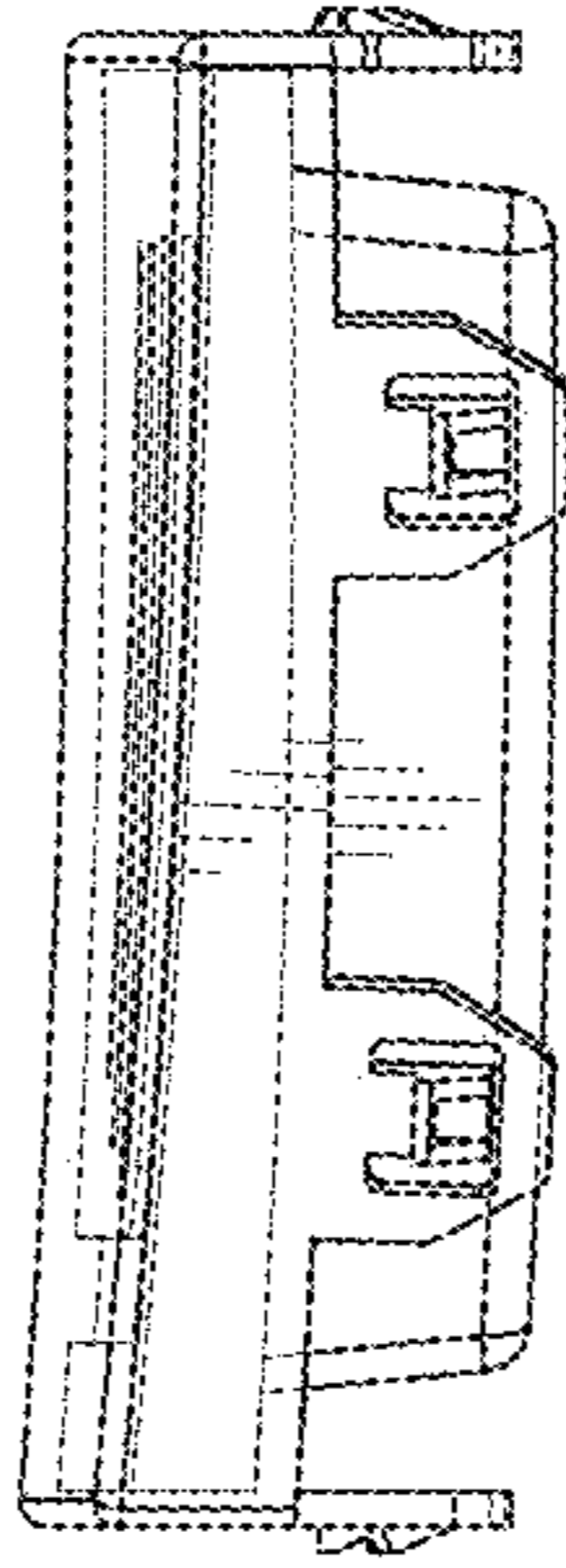


FIG. 6

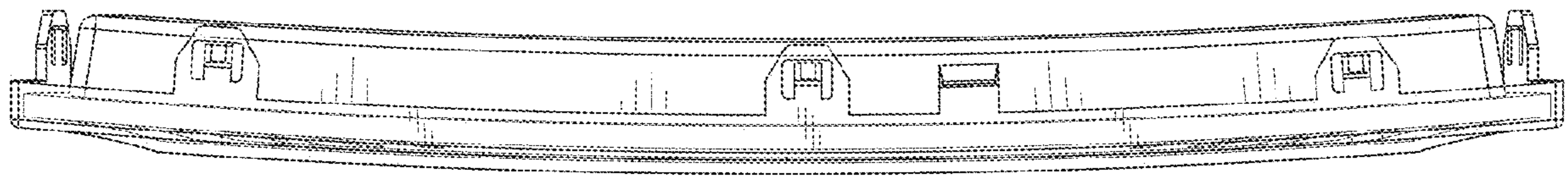


FIG. 7

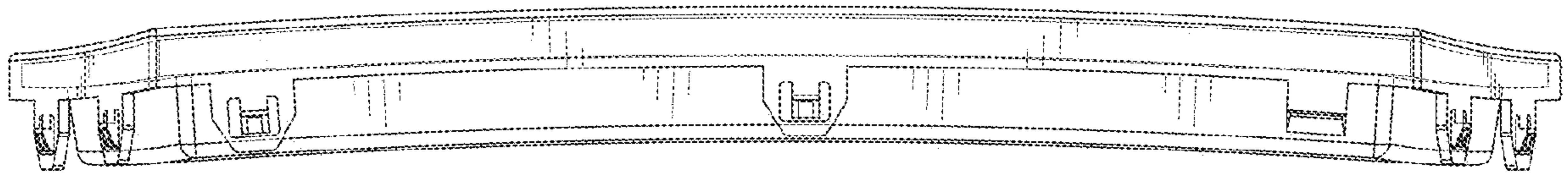


FIG. 8