



US00D972750S

(12) **United States Design Patent**
Tang et al.

(10) **Patent No.:** **US D972,750 S**

(45) **Date of Patent:** **** Dec. 13, 2022**

(54) **POLYURETHANE COATED FLOORING**

(56) **References Cited**

(71) Applicant: **ANHUI SENTAI WPC GROUP SHARE CO., LTD.**, Guangde Economic & Technique Development Area (CN)

U.S. PATENT DOCUMENTS

8,389,056	B1 *	3/2013	Cozzolino	B27L 5/00 144/350
8,419,877	B2 *	4/2013	Pervan	B32B 37/1027 156/196
D732,192	S *	6/2015	Price	D25/150
10,590,648	B2 *	3/2020	Tebb	E04B 5/04
D898,953	S *	10/2020	Wang	D25/150
D952,908	S *	5/2022	Charpentier	D25/138

(72) Inventors: **Daoyuan Tang**, Anhui (CN);
Guangrong Wu, Guangde Economic & Technique Development Area (CN);
Mengde Deng, Guangde Economic & Technique Development Area (CN)

* cited by examiner

(73) Assignee: **ANHUI SENTAI WPC GROUP SHARE CO., LTD.**, Anhui Province (CN)

Primary Examiner — Doris Clark

(74) *Attorney, Agent, or Firm* — Olive Law Group, PLLC

(**) Term: **15 Years**

(57) **CLAIM**

The ornamental design for a polyurethane coated flooring, as shown and described.

(21) Appl. No.: **29/781,494**

DESCRIPTION

(22) Filed: **Apr. 30, 2021**

(30) **Foreign Application Priority Data**

Apr. 9, 2021 (CN) 202130198815.6

(51) **LOC (13) Cl.** **25-01**

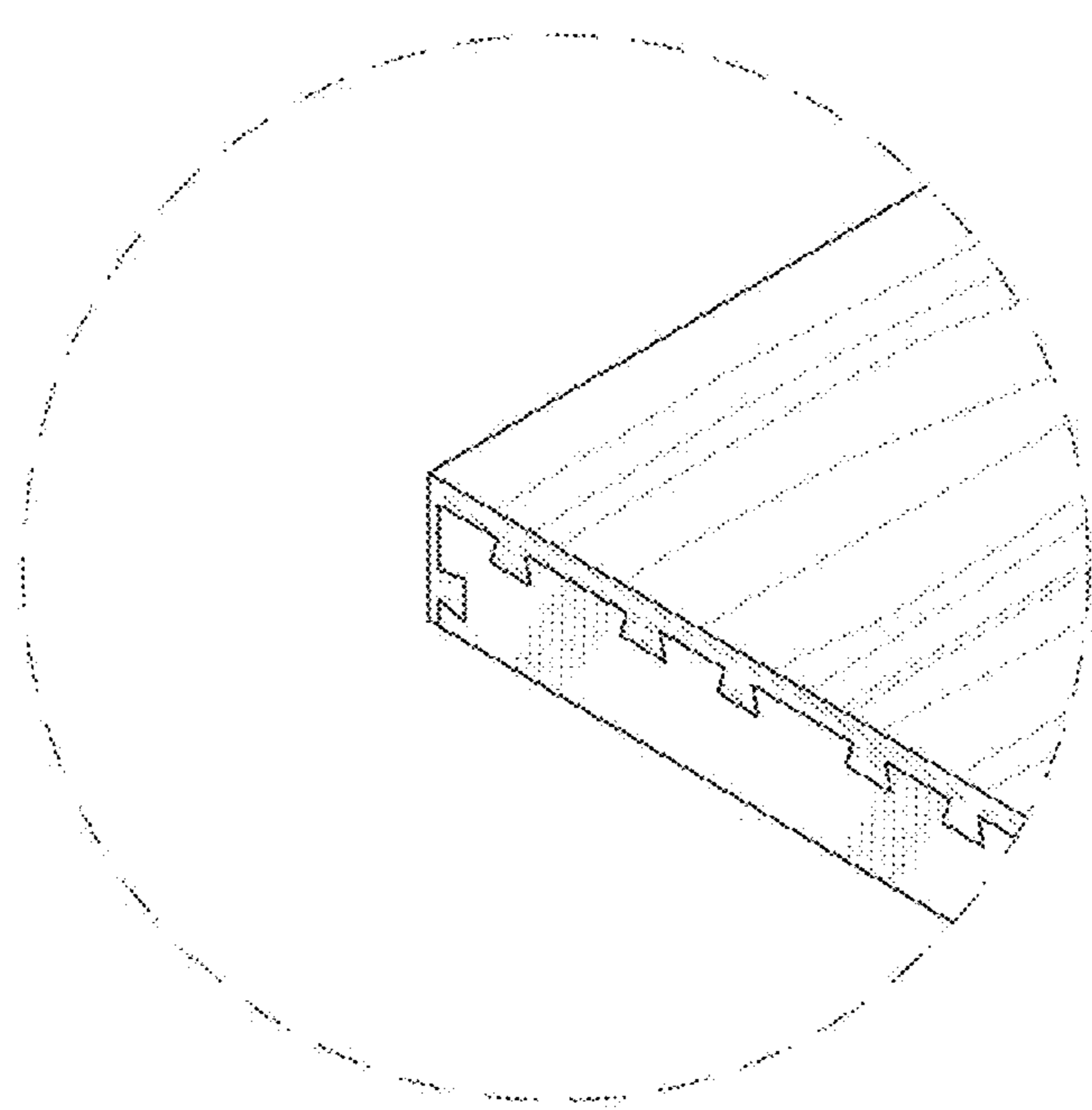
(52) **U.S. Cl.**
USPC **D25/150**

(58) **Field of Classification Search**
USPC D25/150
CPC E04F 15/048; E04F 15/00; E04F 15/181;
E04F 2015/021; E04F 2015/02094; E04F
15/041; E04F 15/042; E04F 15/043; E04F
15/046; E04F 15/047; E04F 15/02; B27N
7/005; B27L 5/002; E04B 2003/04; E04B
5/23; E04B 5/02; E04B 5/08; E04C 2/12;
E04C 2/14; Y10T 428/662

FIG. 1 is a top perspective view of a polyurethane coated flooring showing our new design;
FIG. 2 is a front elevational view thereof;
FIG. 3 is a rear elevational view thereof;
FIG. 4 is a bottom plan view thereof;
FIG. 5 is a right elevational view thereof;
FIG. 6 is a top plan view thereof; and,
FIG. 7 is a left plan view thereof;
FIG. 8 is an enlarged view of the selected portion 8 in FIG. 1; and,
FIG. 9 is an enlarged view of the selected portion 9 in FIG. 5.
The broken lines shown in the drawing Figures are meant to illustrate environment and form no part of the claimed design.

See application file for complete search history.

1 Claim, 9 Drawing Sheets



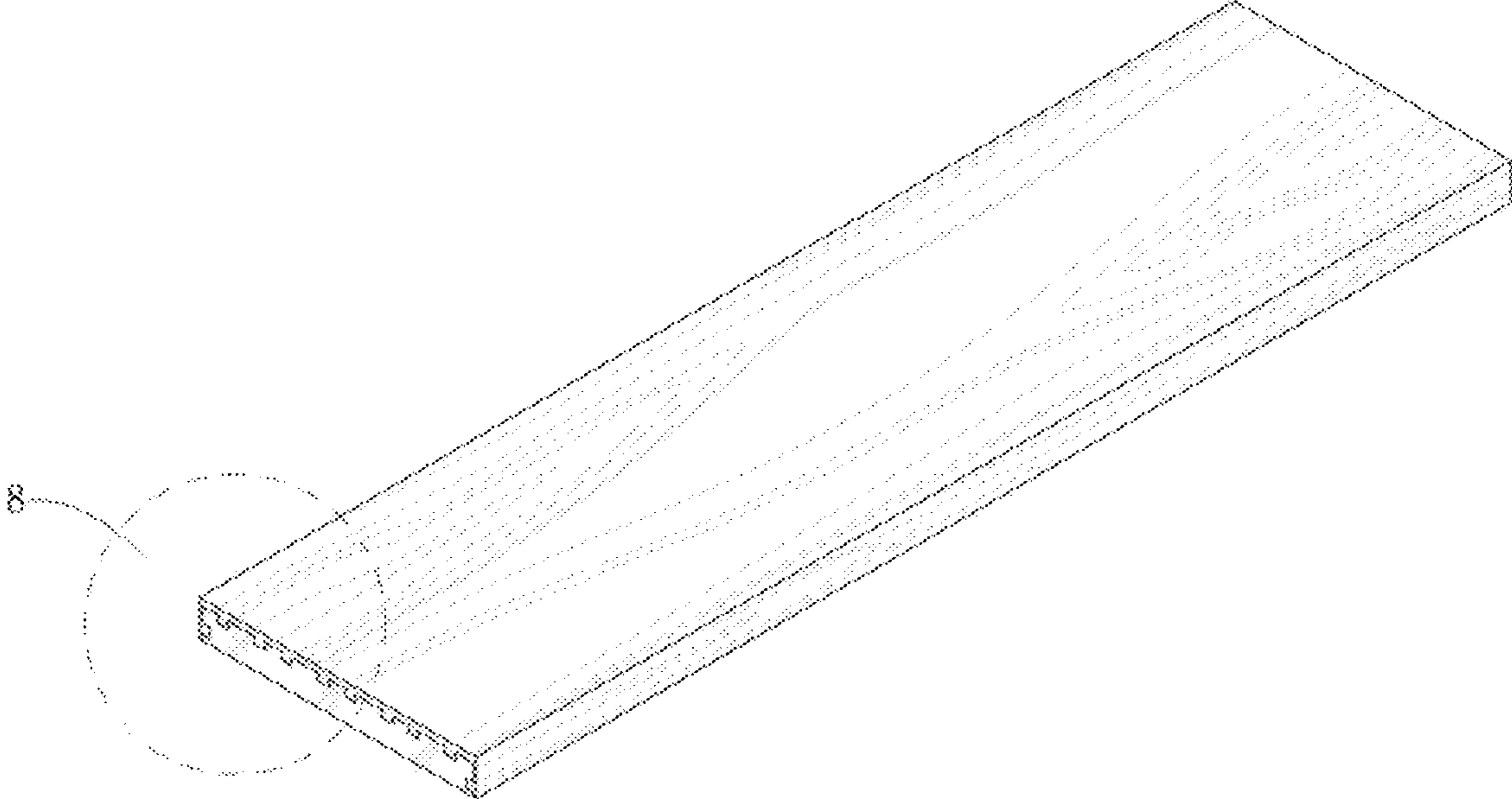


FIG. 1

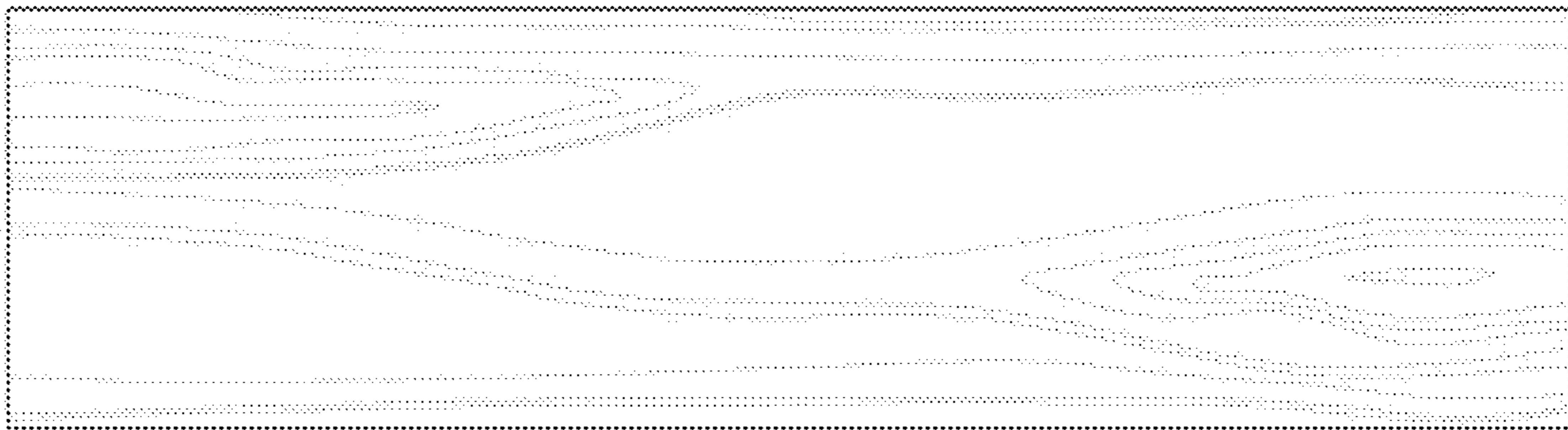


FIG. 2

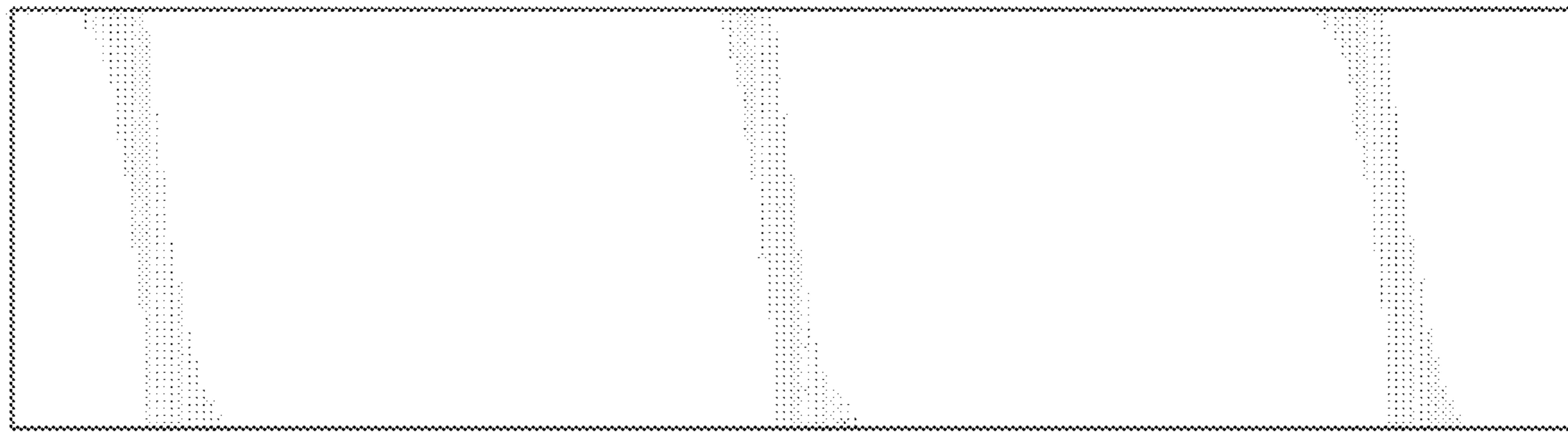


FIG. 3

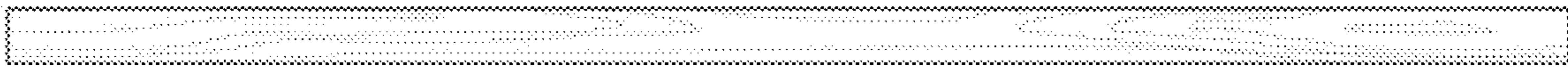


FIG. 4

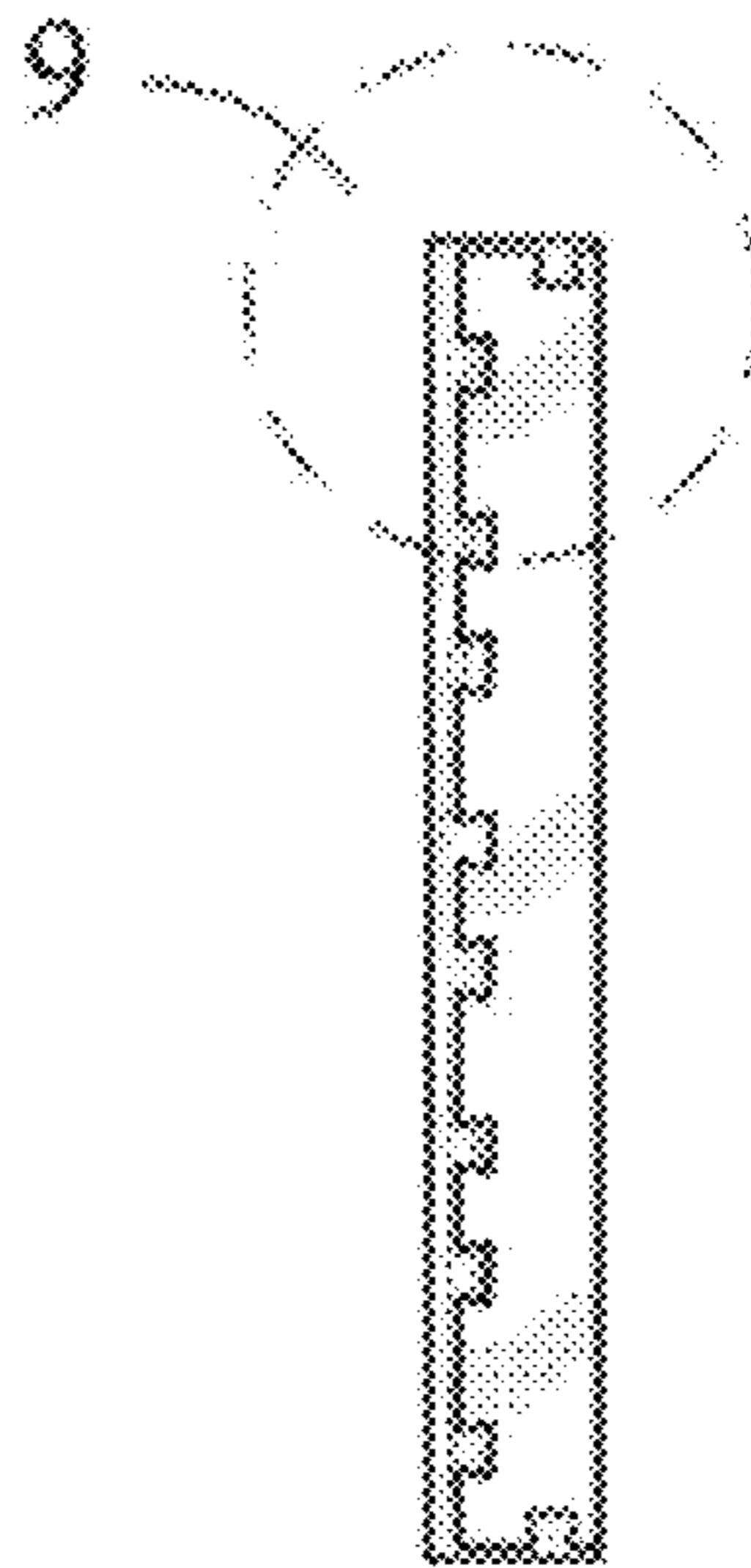


FIG. 5

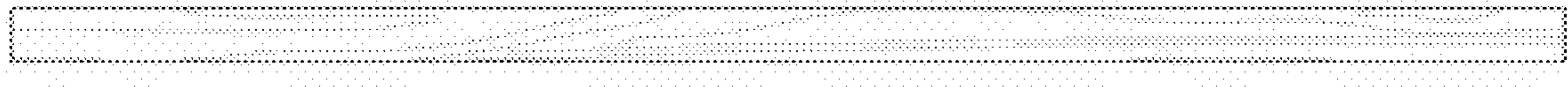


FIG. 6



FIG. 7

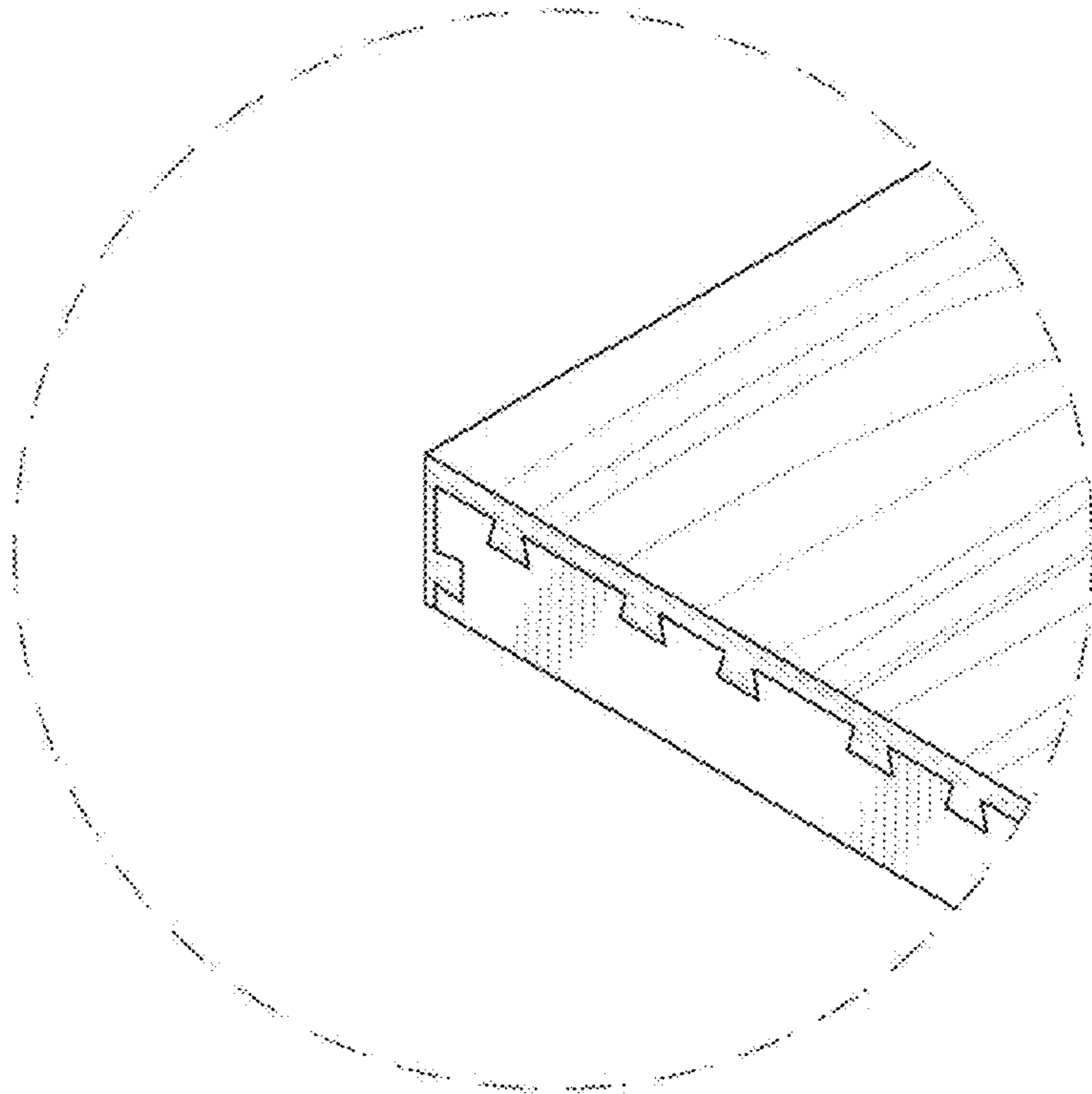


FIG. 8

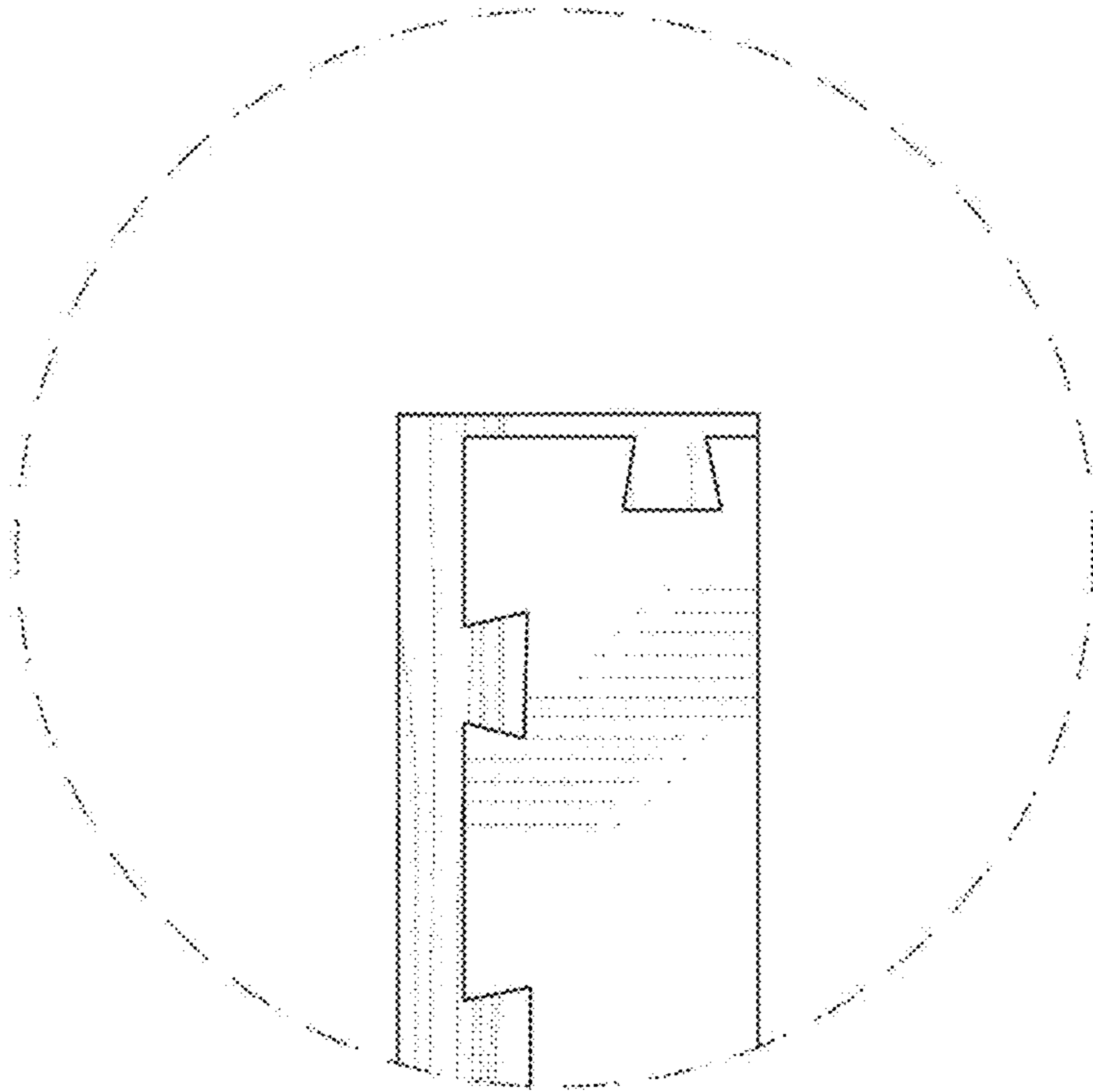


FIG. 9