



US00D972749S

(12) **United States Design Patent** (10) **Patent No.:** **US D972,749 S**
Flynn (45) **Date of Patent:** **** Dec. 13, 2022**

(54) **PERGOLA**

(71) Applicant: **Patrick O. Flynn**, Belleville, IL (US)

(72) Inventor: **Patrick O. Flynn**, Belleville, IL (US)

(**) Term: **15 Years**

(21) Appl. No.: **29/754,399**

(22) Filed: **Oct. 9, 2020**

(51) **LOC (13) Cl.** **25-02**

(52) **U.S. Cl.**
USPC **D25/56**

(58) **Field of Classification Search**
USPC D25/56, 57, 61
CPC E04F 10/005; E04F 10/04; E04F 10/08;
E04B 7/16; E04B 7/163; E04B 1/003;
E04B 1/0046; E04B 1/343; E04B
2001/2451; E04B 2001/405; E04D 13/00;
E04H 6/025

See application file for complete search history.

(56) **References Cited**

U.S. PATENT DOCUMENTS

D293,934 S *	1/1988	Lambert	D25/56
D537,170 S *	2/2007	Takeuchi	D25/56
D785,814 S *	5/2017	Koo	D25/56
D788,940 S *	6/2017	Lavery	D25/56
10,844,606 B2 *	11/2020	Lavery	E04H 6/025
D919,123 S *	5/2021	de Alborán Peralta	D25/56

FOREIGN PATENT DOCUMENTS

KR	300422312.0000	*	8/2006
KR	300454063.0000	*	6/2007
KR	300636426.0000	*	3/2012

* cited by examiner

Primary Examiner — Leanne Was-Englehart

(57) **CLAIM**

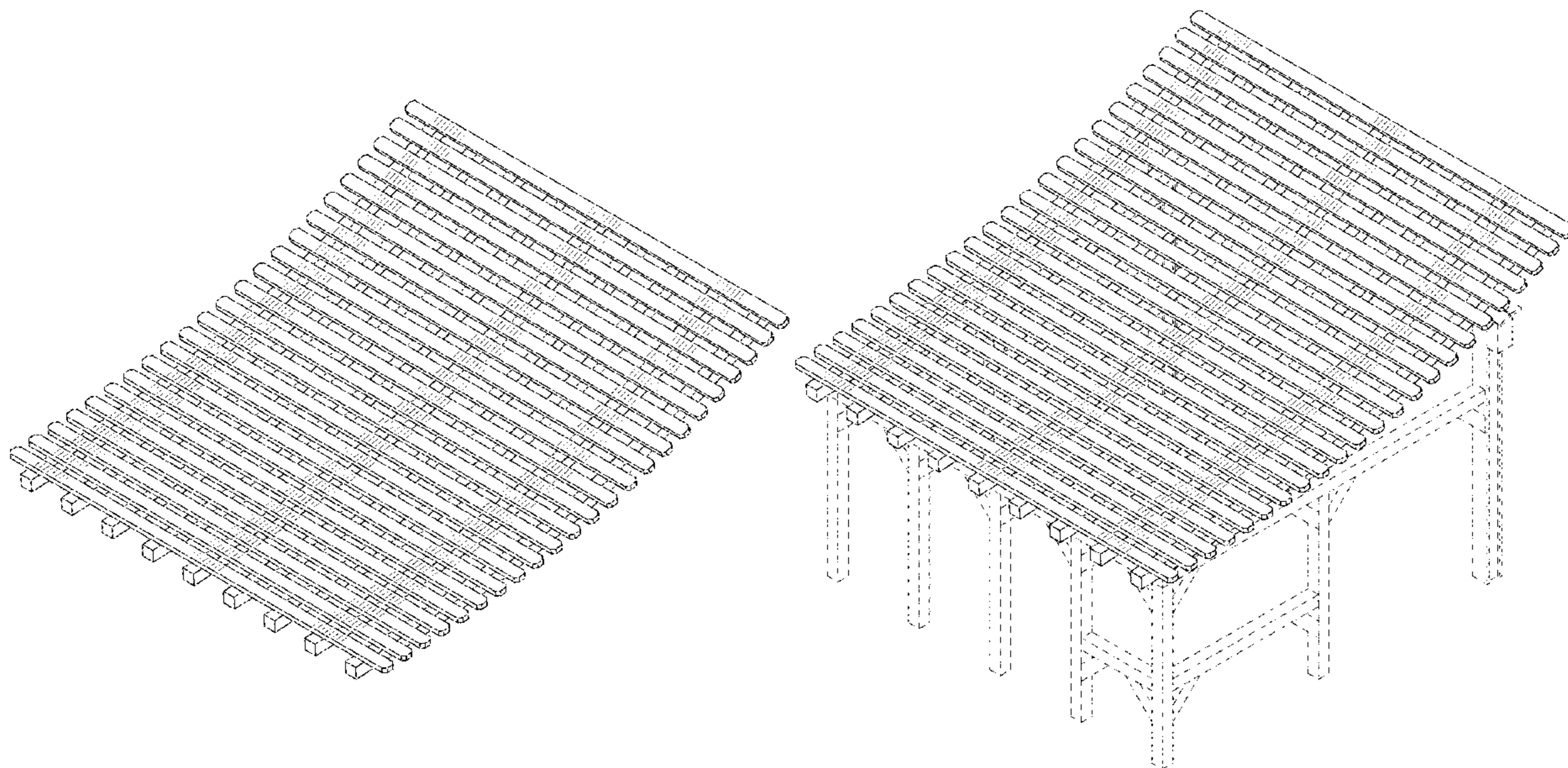
The ornamental design for a pergola, as shown and described.

DESCRIPTION

FIG. 1 is a front view of a pergola showing my new design; FIG. 2 is a rear view of the pergola; FIG. 3 is a right side view of the pergola; FIG. 4 is a left side view of the pergola; FIG. 5 is a top view of the pergola; FIG. 6 is a bottom view of the pergola; FIG. 7 is a top front side perspective view of the pergola; FIG. 8 is a bottom rear side perspective view of the pergola; FIG. 9 is a front view of the pergola in a use position; FIG. 10 is a rear view of the pergola in an alternative use position; FIG. 11 is a right side view of the pergola in a use position; FIG. 12 is a left side view of the pergola in a use position; FIG. 13 is a top view of the pergola in a use position; FIG. 14 is a bottom view of the pergola in a use position; FIG. 15 is a top front side perspective view of the pergola in a use position; FIG. 16 is a bottom rear side perspective view of the pergola in a use position; FIG. 17 is a right side view of the pergola in an alternative use position; FIG. 18 is a right e view of the pergola in an alternative use position; and, FIG. 19 is a bottom rear side perspective view of the pergola in an alternative use position.

The broken lines in drawing FIGS. 9 through 19 are illustrative of portions of the pergola forming no part of the claimed design and environmental structure forming no part of the claimed design in FIGS. 17 and 18.

1 Claim, 17 Drawing Sheets



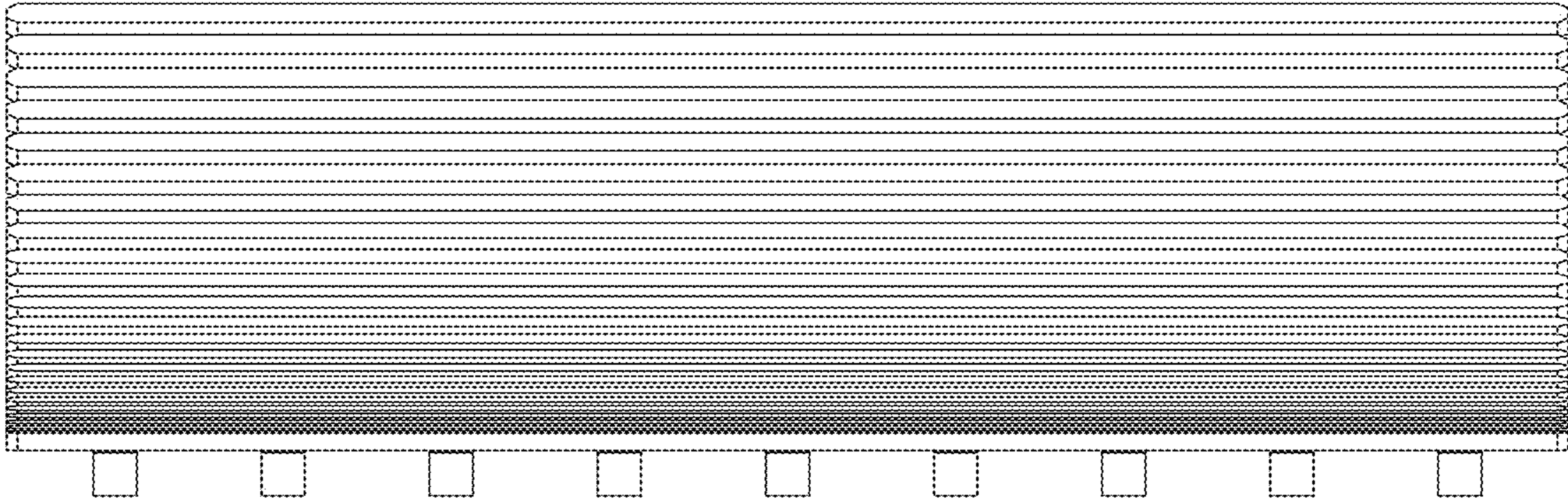


FIG. 1

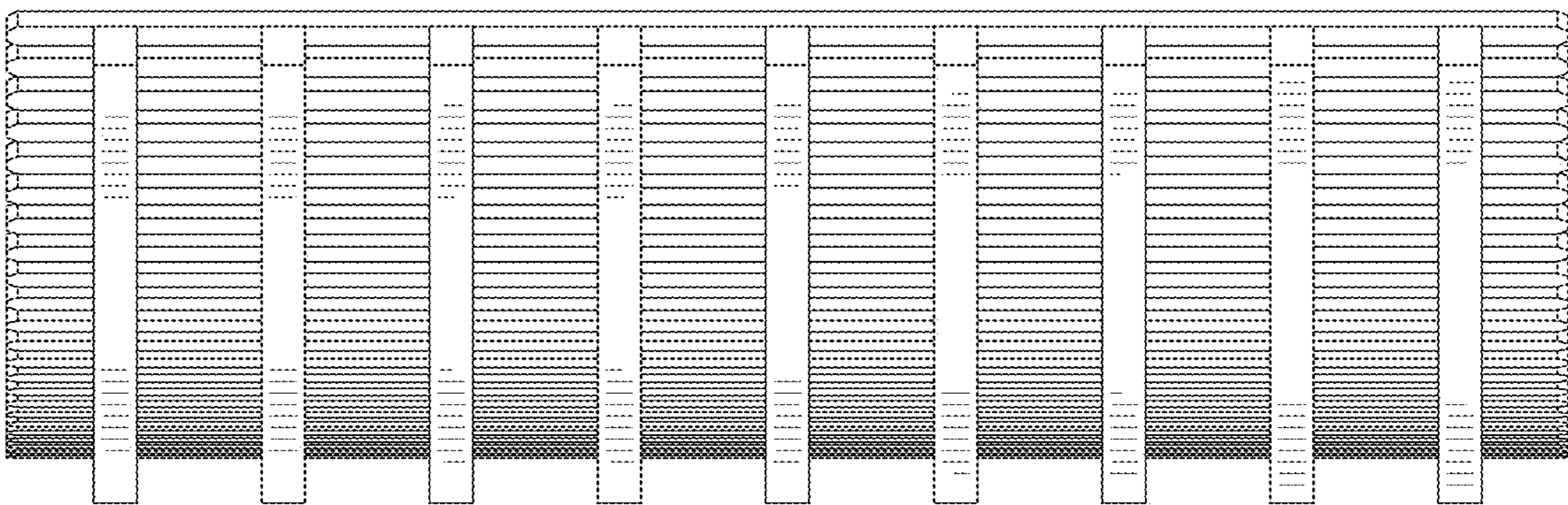


FIG. 2

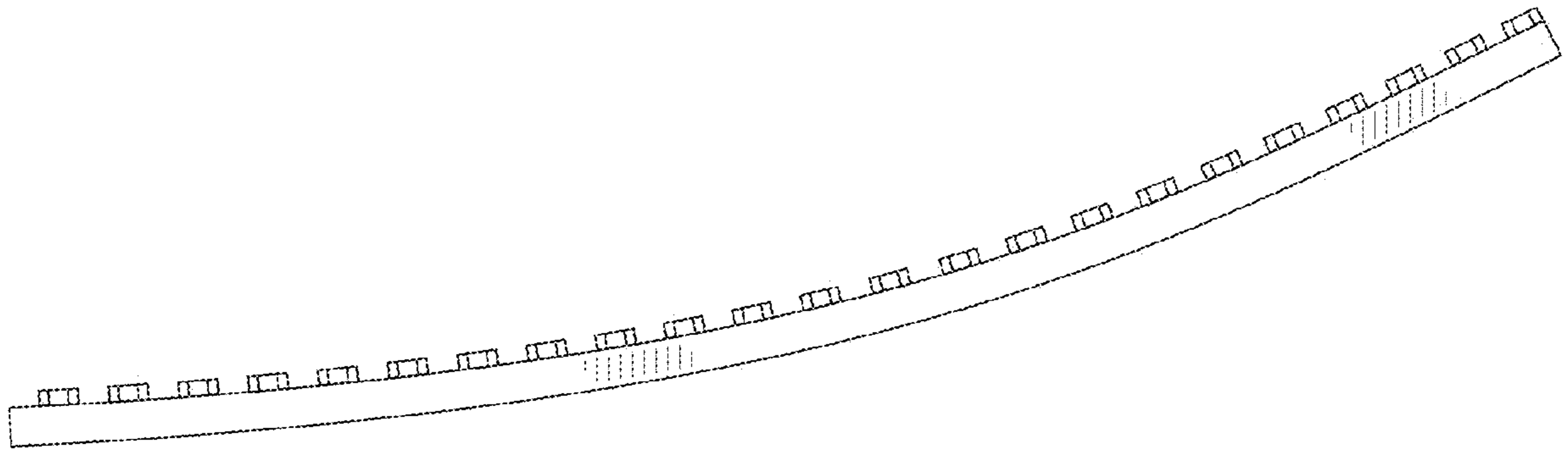


FIG. 3

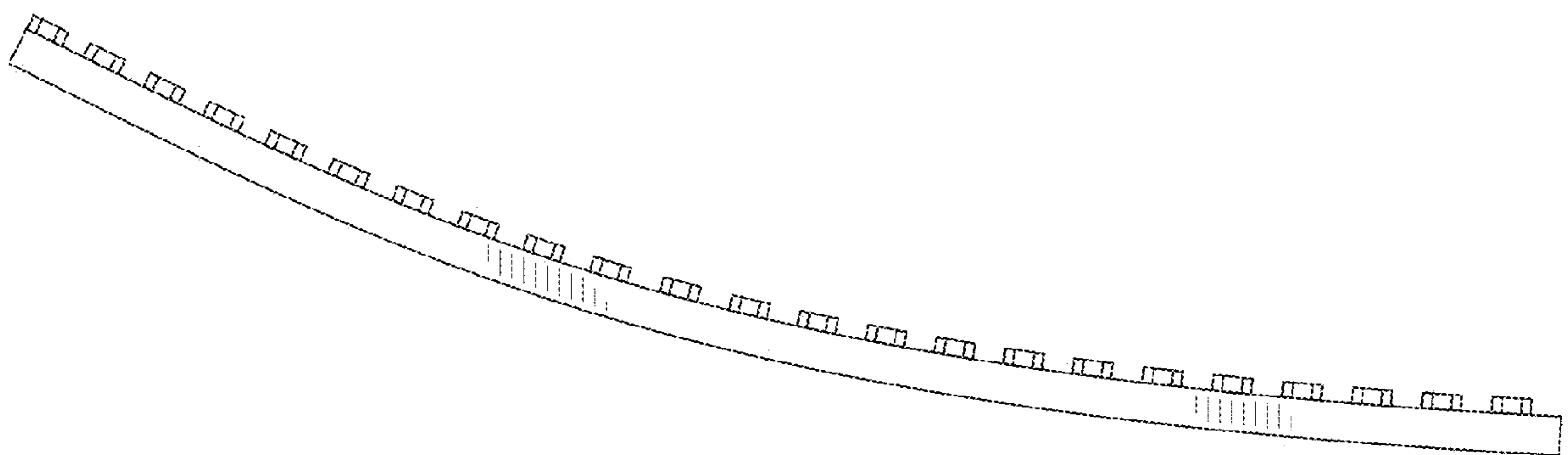


FIG. 4

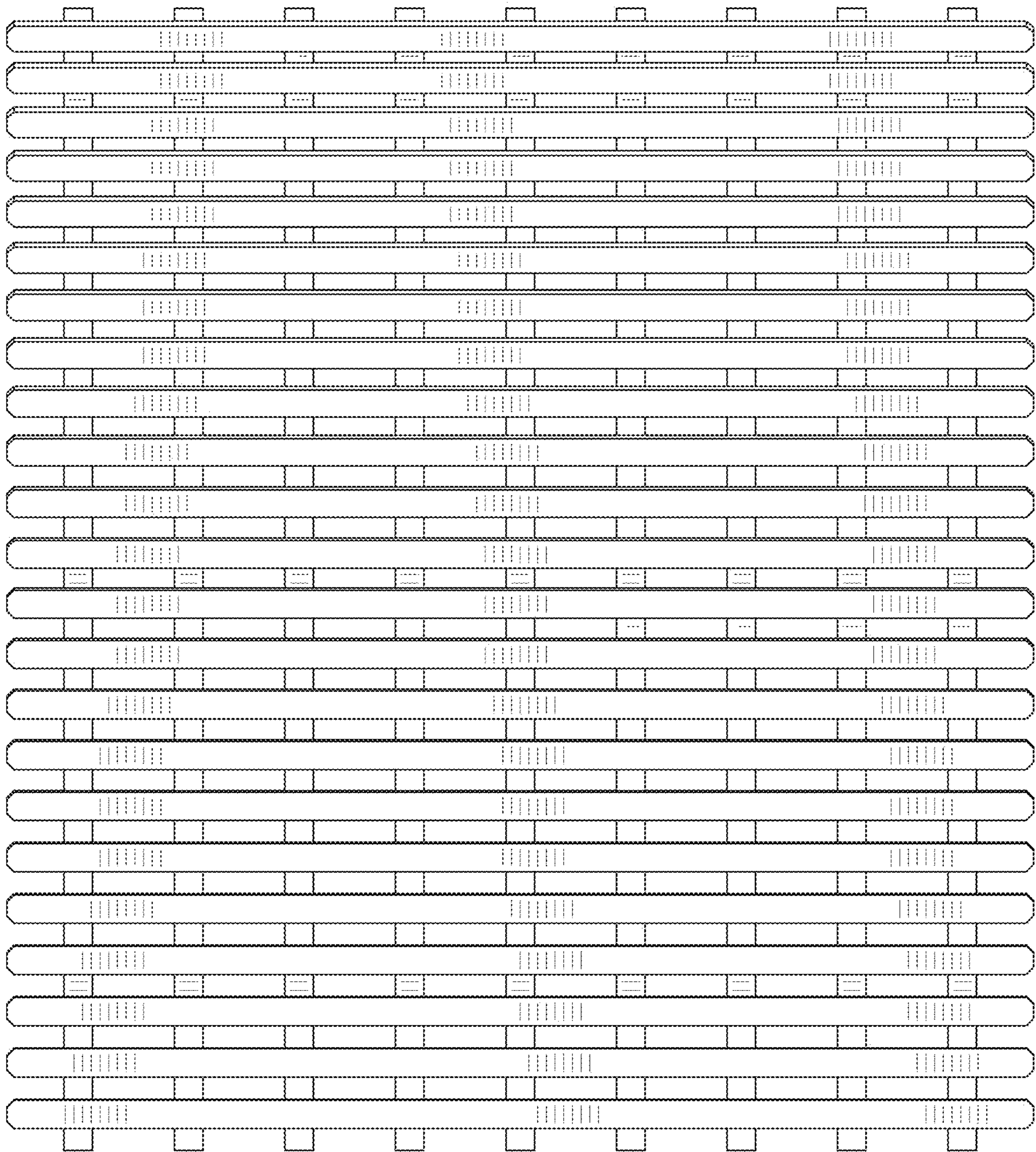


FIG. 5

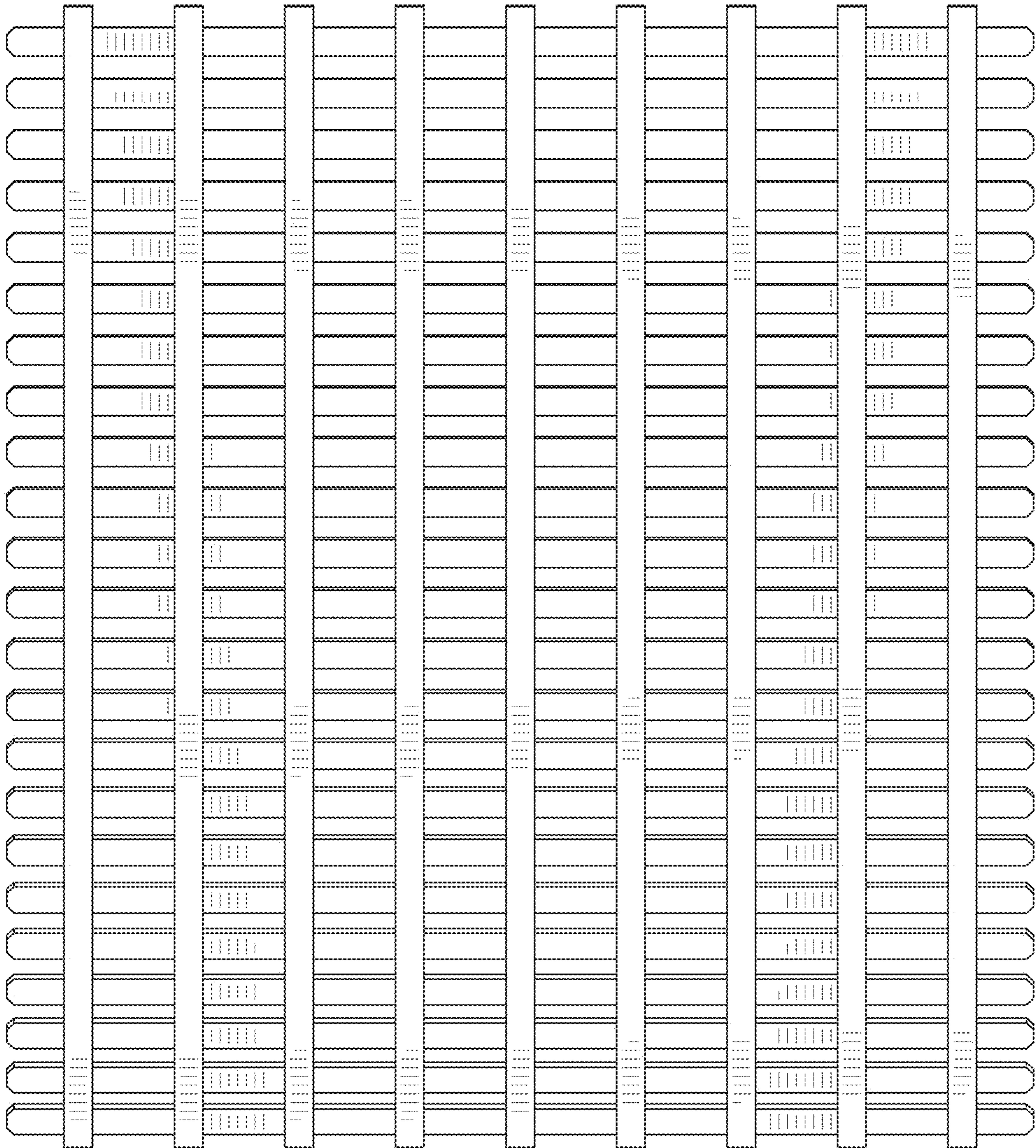


FIG. 6

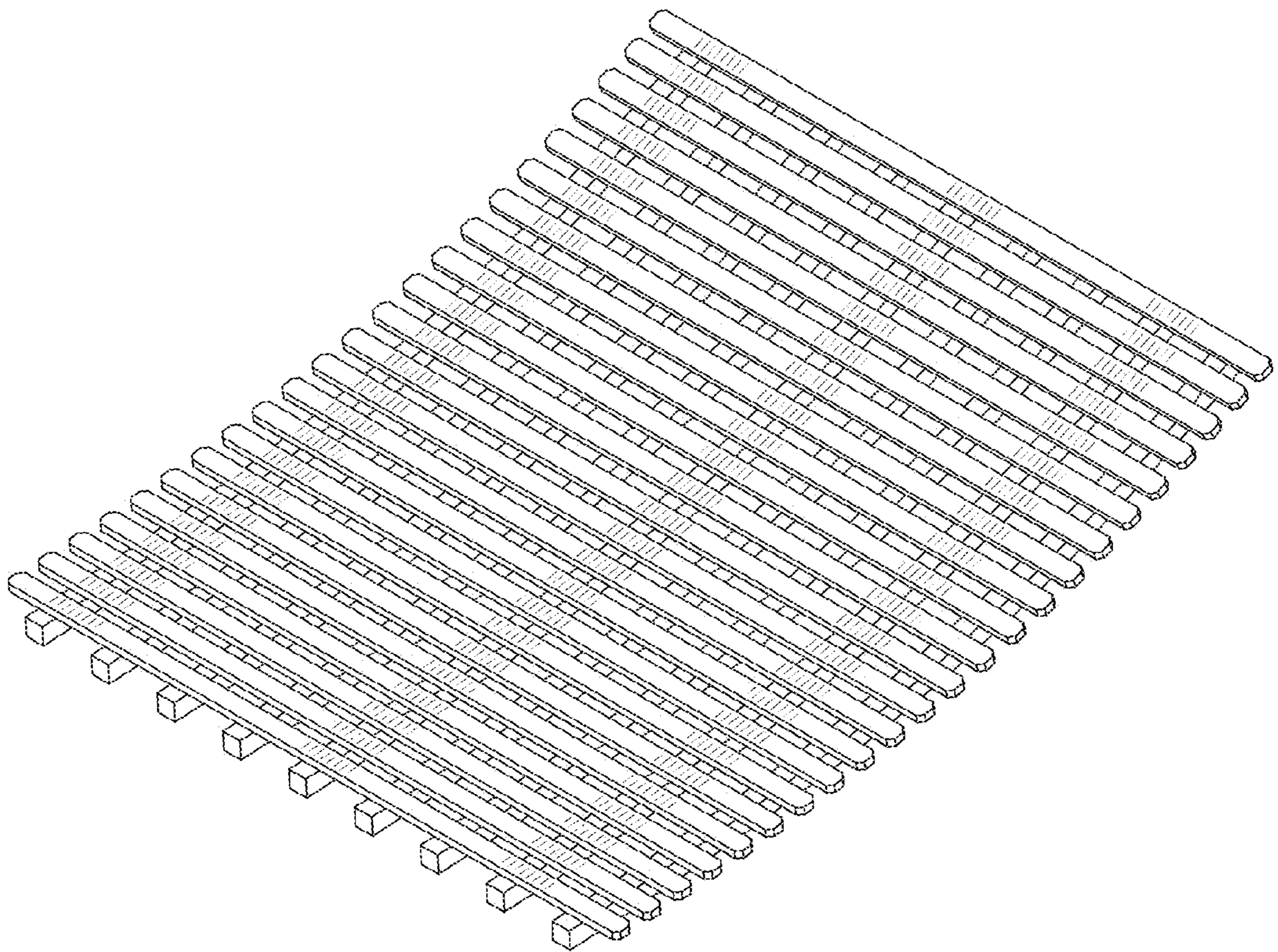


FIG. 7

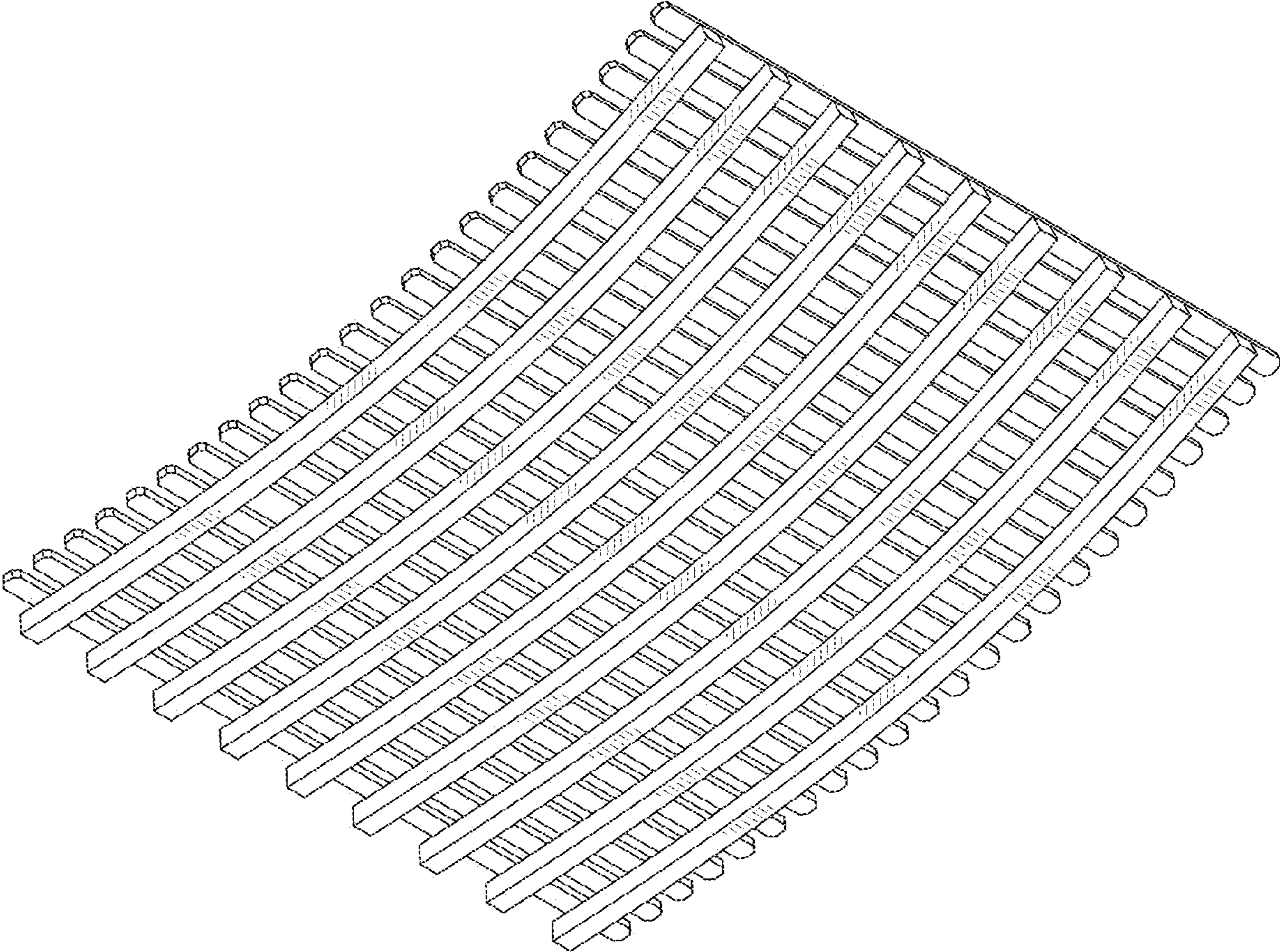


FIG. 8

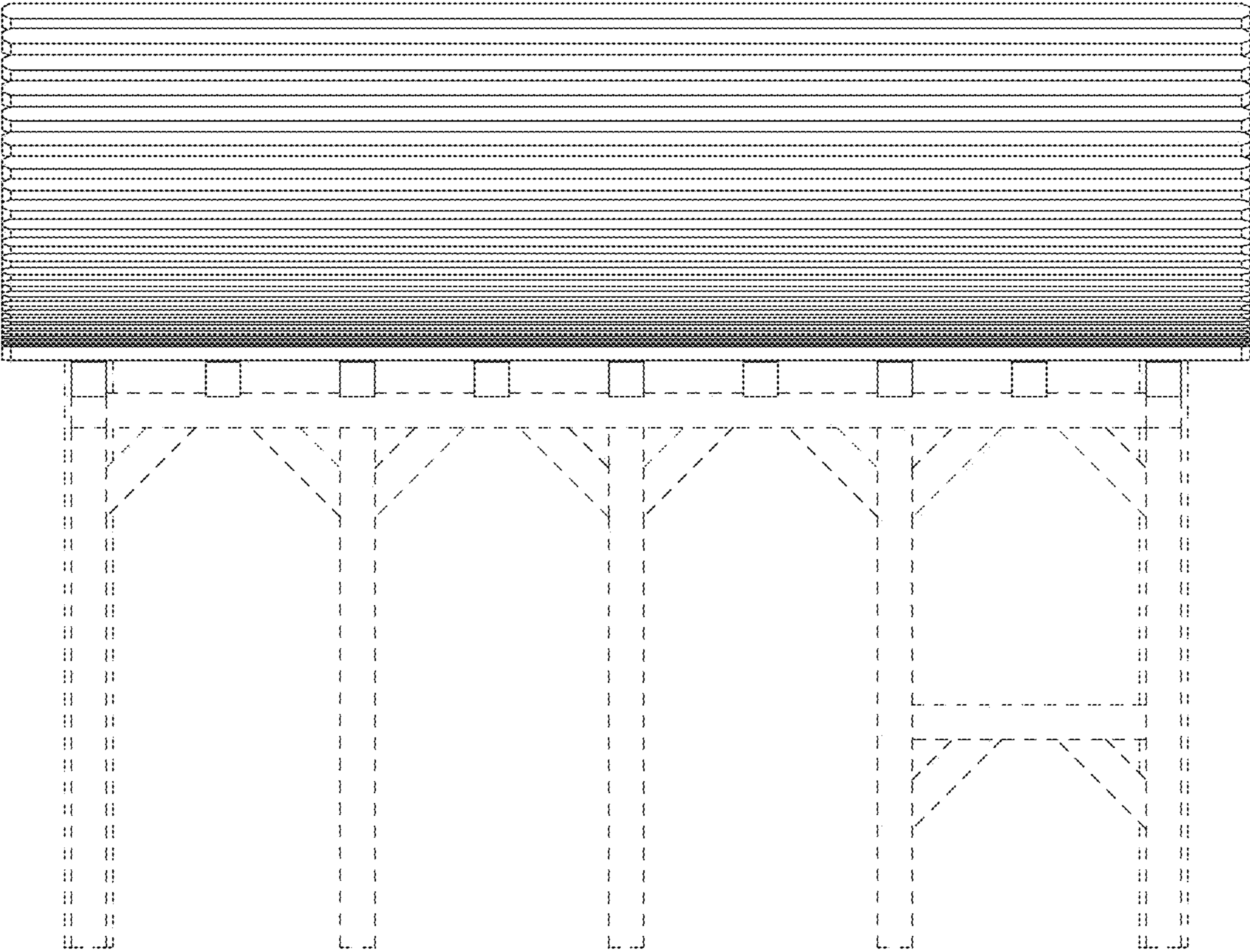


FIG. 9

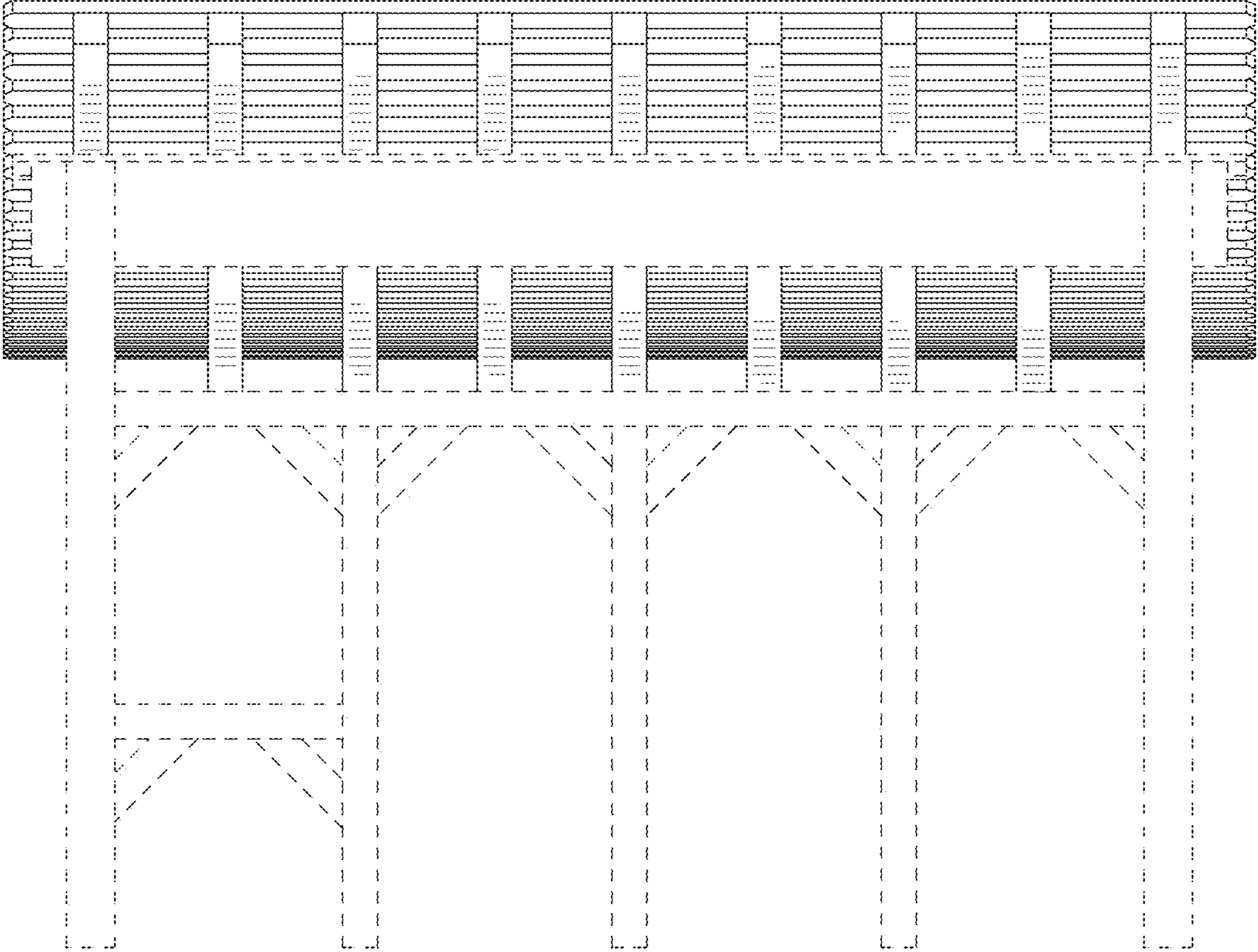


FIG. 10

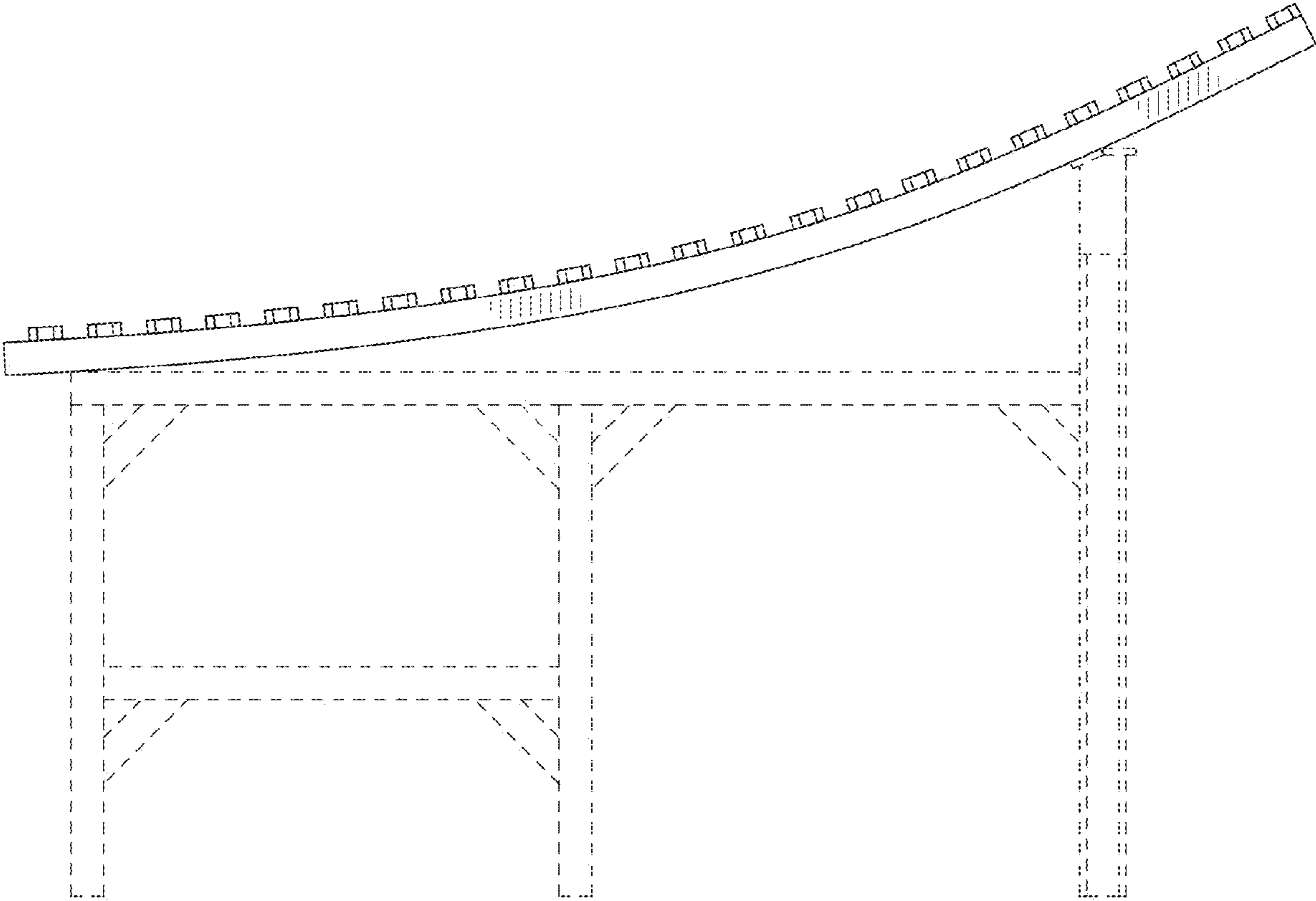


FIG. 11

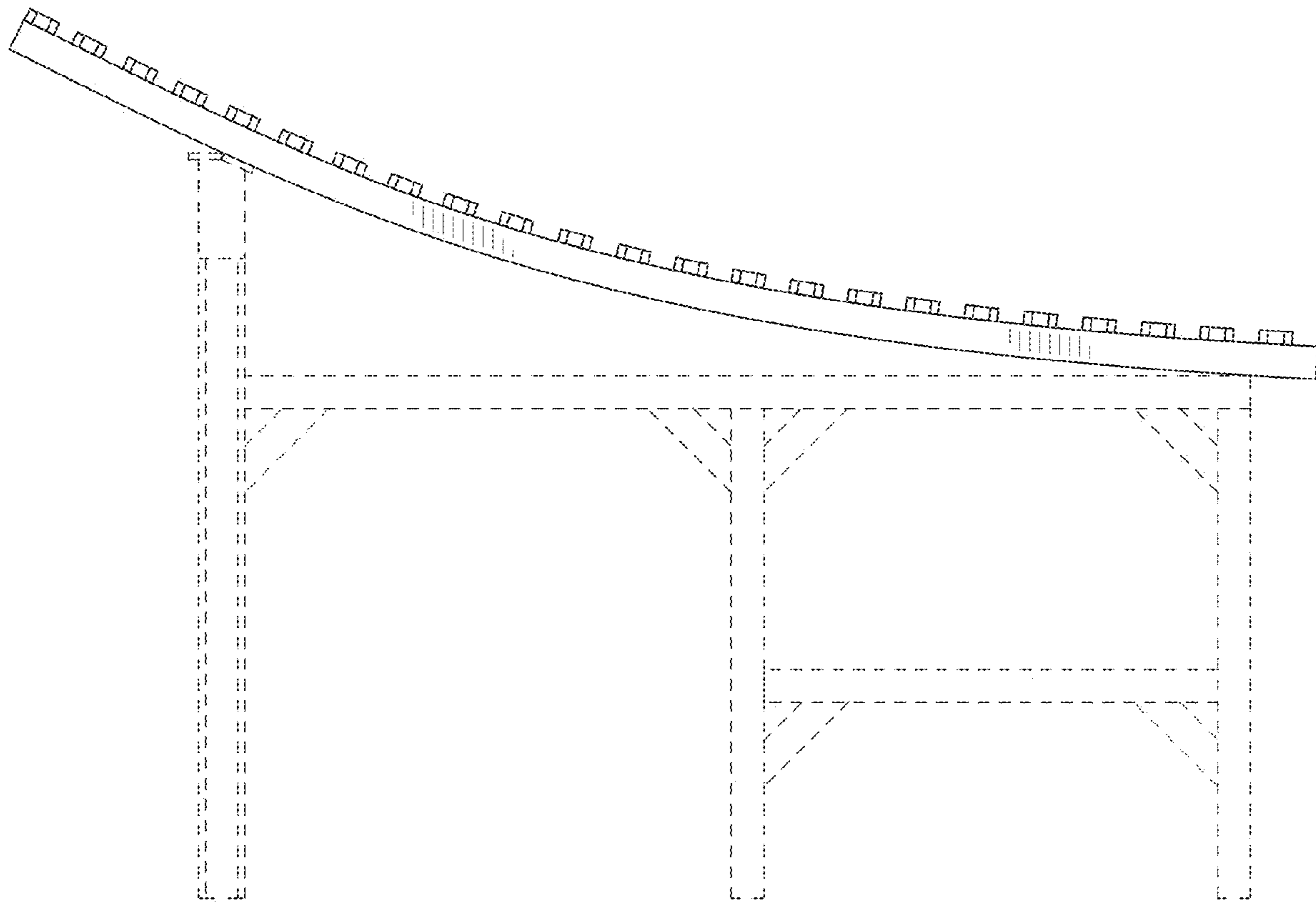


FIG. 12

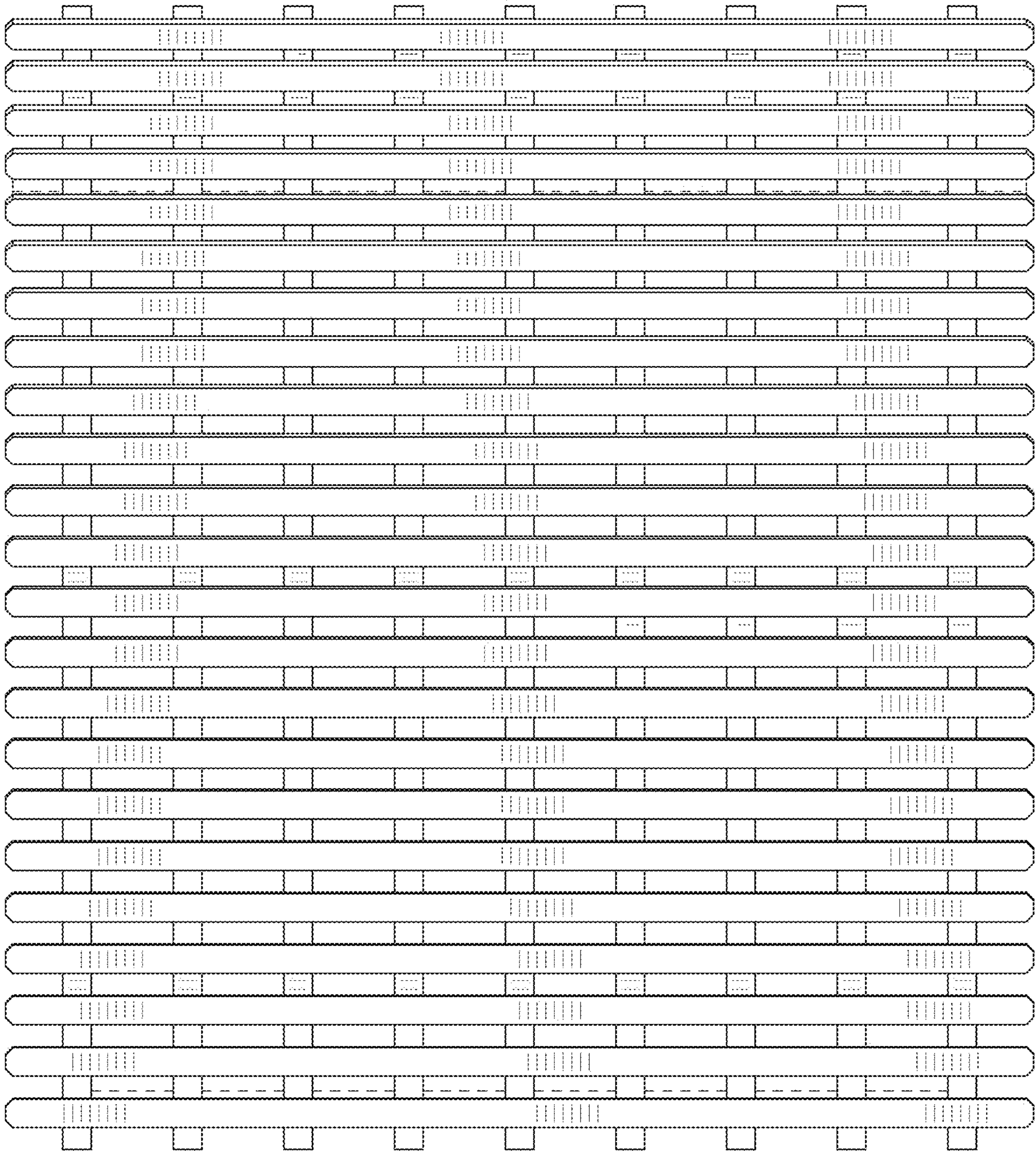


FIG. 13

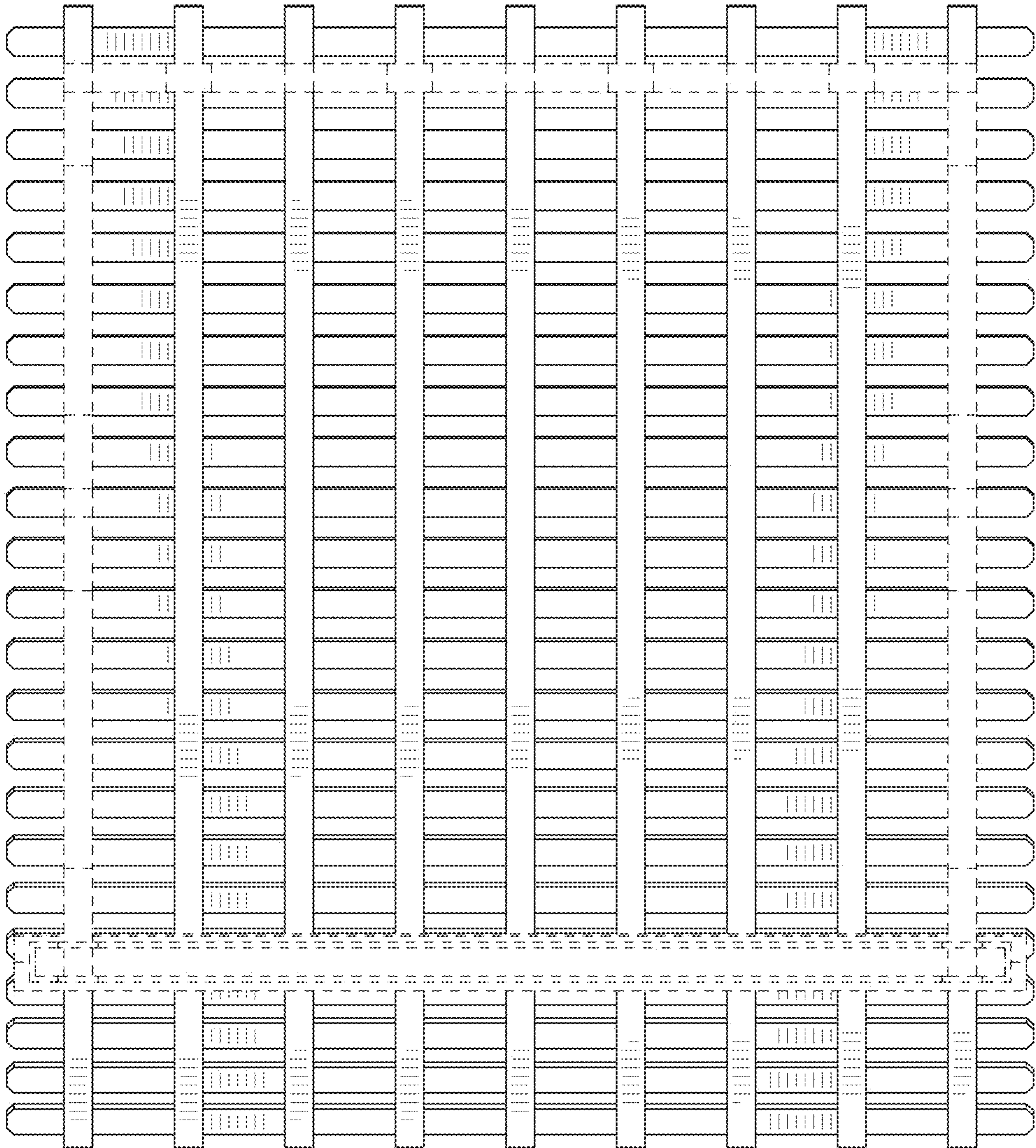


FIG. 14

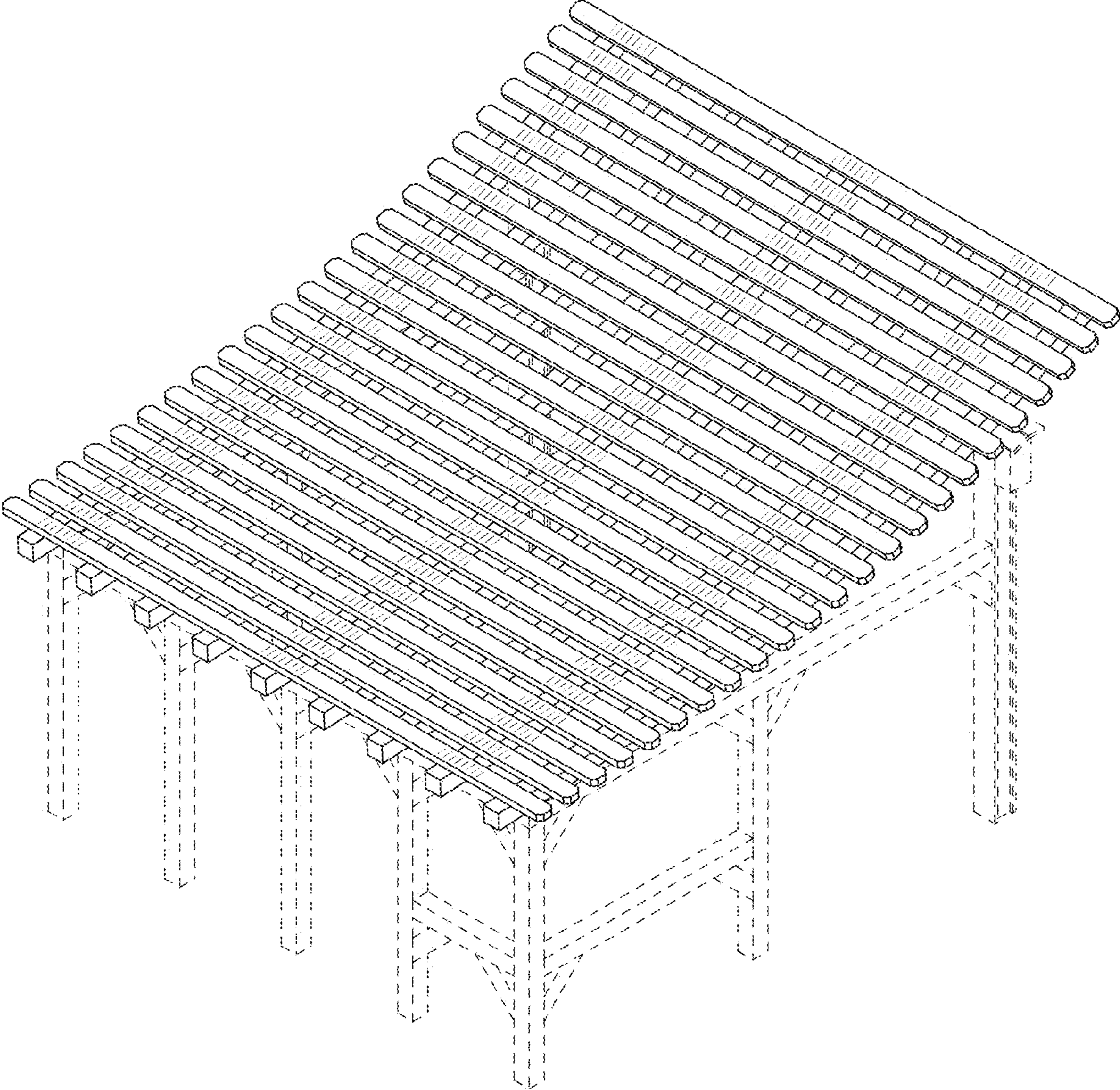


FIG. 15

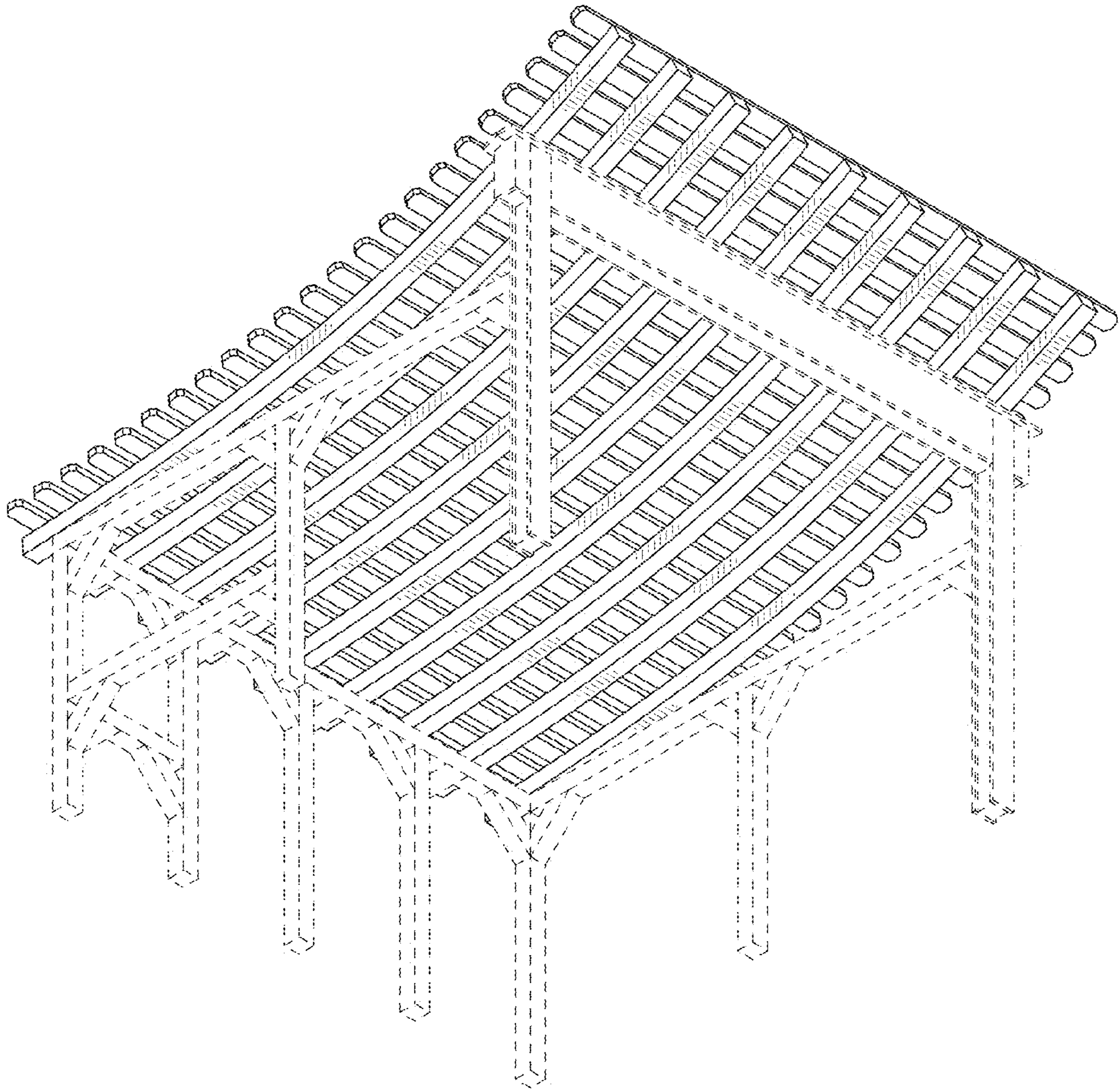


FIG. 16

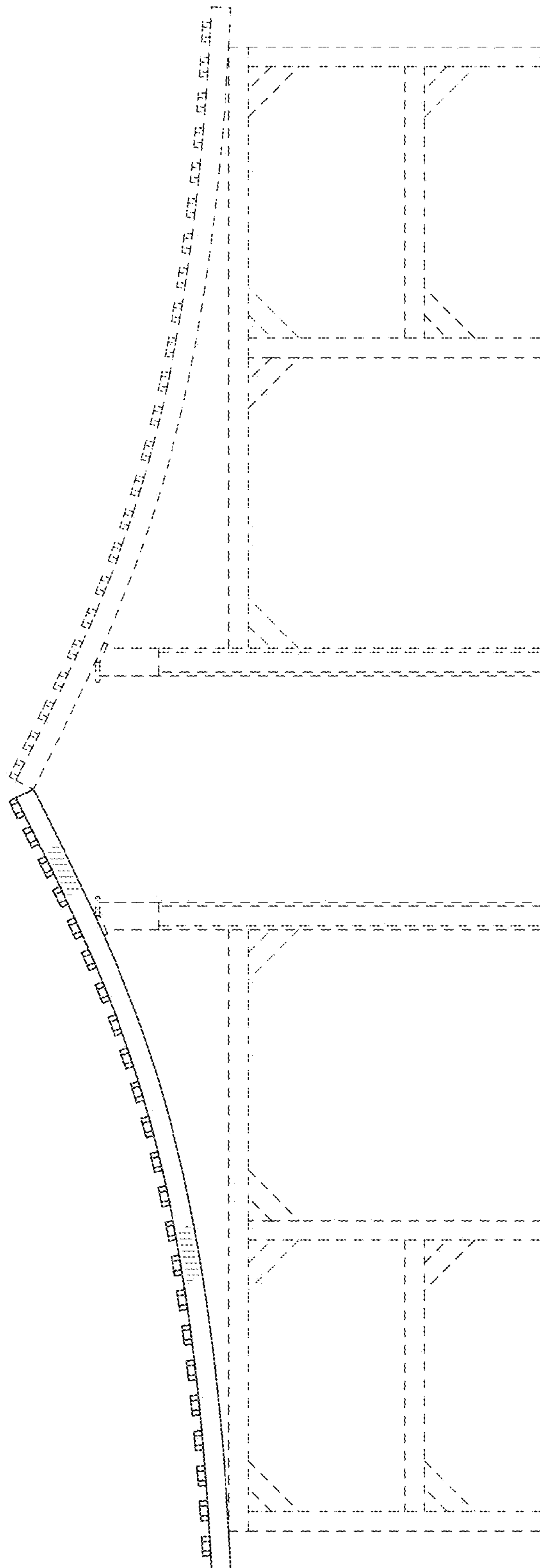


FIG. 17

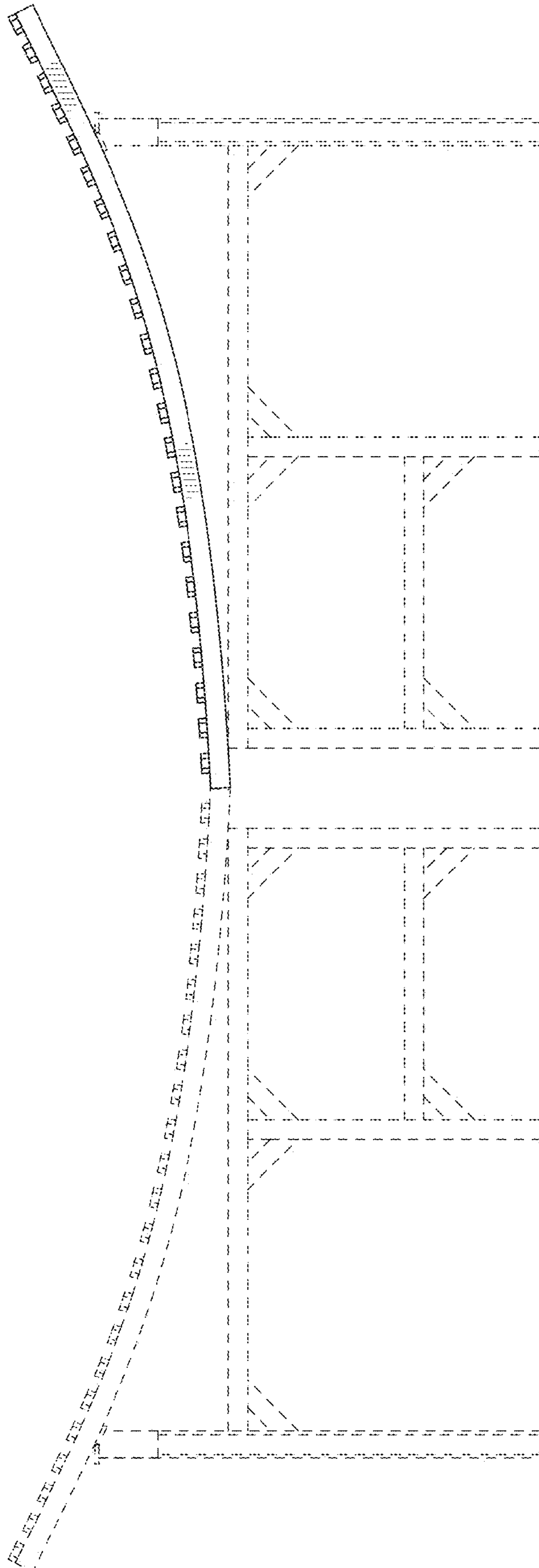


FIG. 18

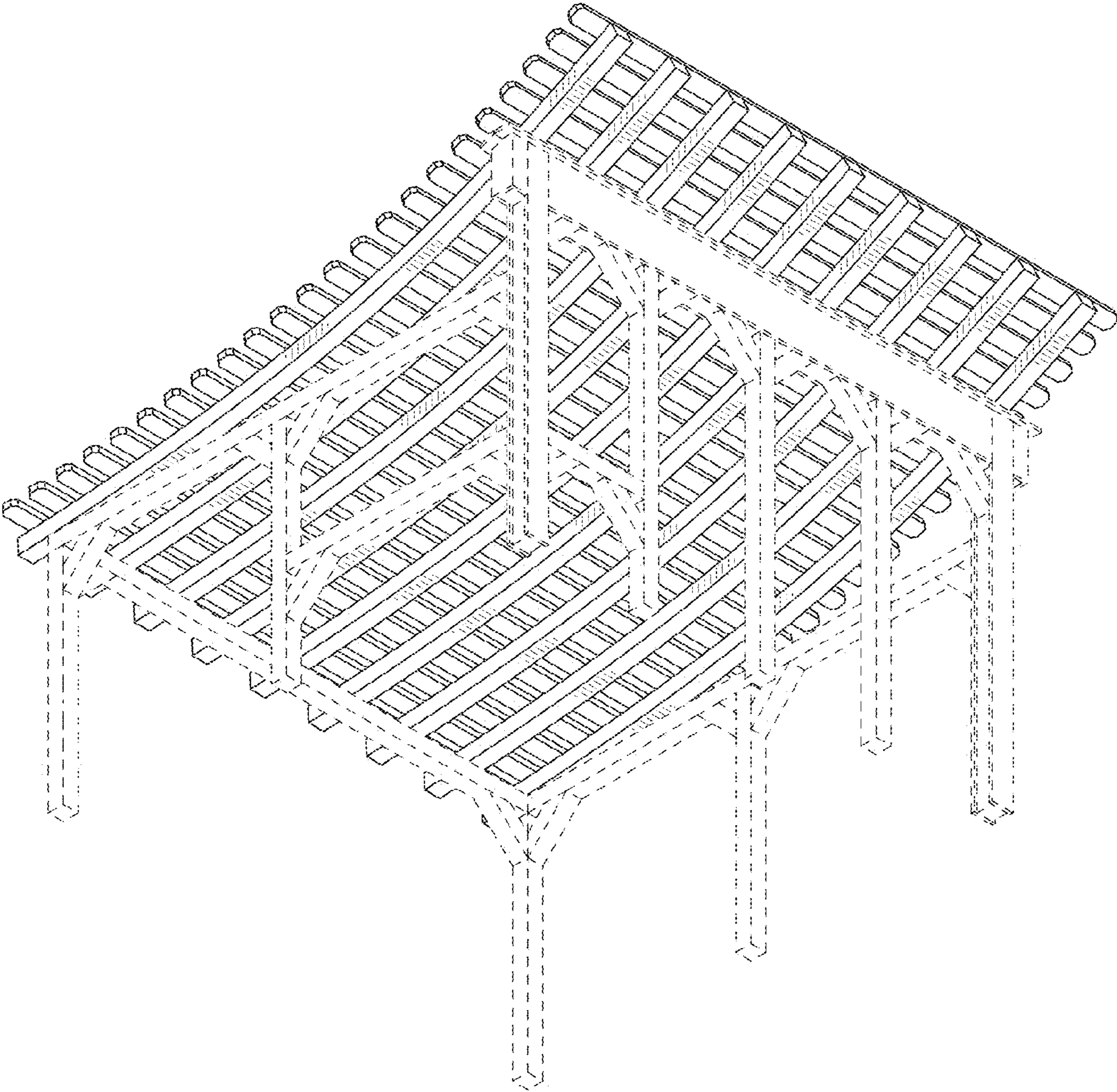


FIG. 19