



US00D972748S

(12) **United States Design Patent** (10) **Patent No.:** **US D972,748 S**
Lv (45) **Date of Patent:** **** Dec. 13, 2022**

(54) **TELESCOPIC GATE FENCE**

(71) Applicant: **Shaofeng Lv, Jiujiang (CN)**

(72) Inventor: **Shaofeng Lv, Jiujiang (CN)**

(**) Term: **15 Years**

(21) Appl. No.: **29/749,283**

(22) Filed: **Sep. 3, 2020**

(51) **LOC (13) Cl.** **25-02**

(52) **U.S. Cl.**
USPC **D25/48.4**

(58) **Field of Classification Search**
USPC D25/38.1, 39, 48.1, 48.4, 48.5, 48.8
CPC E06B 9/08; E06B 9/60; E06B 9/80; E06B
2009/002; E06B 11/027; E06B 11/04
See application file for complete search history.

(56) **References Cited**

U.S. PATENT DOCUMENTS

| | | | | |
|----------------|--------|---------|-------|--------------------------|
| D620,129 S * | 7/2010 | Lundh | | D25/48.5 |
| D621,957 S * | 8/2010 | Lundh | | D25/48.5 |
| 8,191,604 B2 * | 6/2012 | Wang | | E06B 9/0692 160/293.1 |
| D666,307 S * | 8/2012 | Lundh | | D25/48.1 |
| 9,598,896 B1 * | 3/2017 | Pichik | | E06B 9/60 |
| D927,016 S * | 8/2021 | Su | | D25/48.5 |
| D929,609 S * | 8/2021 | Su | | D25/48.5 |
| D941,494 S * | 1/2022 | Su | | D25/48.4 |
| D941,495 S * | 1/2022 | Su | | D25/48.5 |
| D945,018 S * | 3/2022 | Cai | | D25/48.5 |
| D947,410 S * | 3/2022 | Bearsch | | D25/48.5 |

(Continued)

FOREIGN PATENT DOCUMENTS

| | | | |
|----|----------------|---|---------|
| CN | 306143917 | * | 10/2020 |
| CN | 306280311 | * | 1/2021 |
| EM | 002558254-0001 | * | 12/2014 |

OTHER PUBLICATIONS

Momcozy Baby Gate YouTube <https://www.youtube.com/watch?v=MHI4hdSI1DM> Sep. 16, 2020 (Year: 2020).*

(Continued)

Primary Examiner — Leanne Was-Englehart

(74) *Attorney, Agent, or Firm* — Rumit R. Kanakia

(57) **CLAIM**

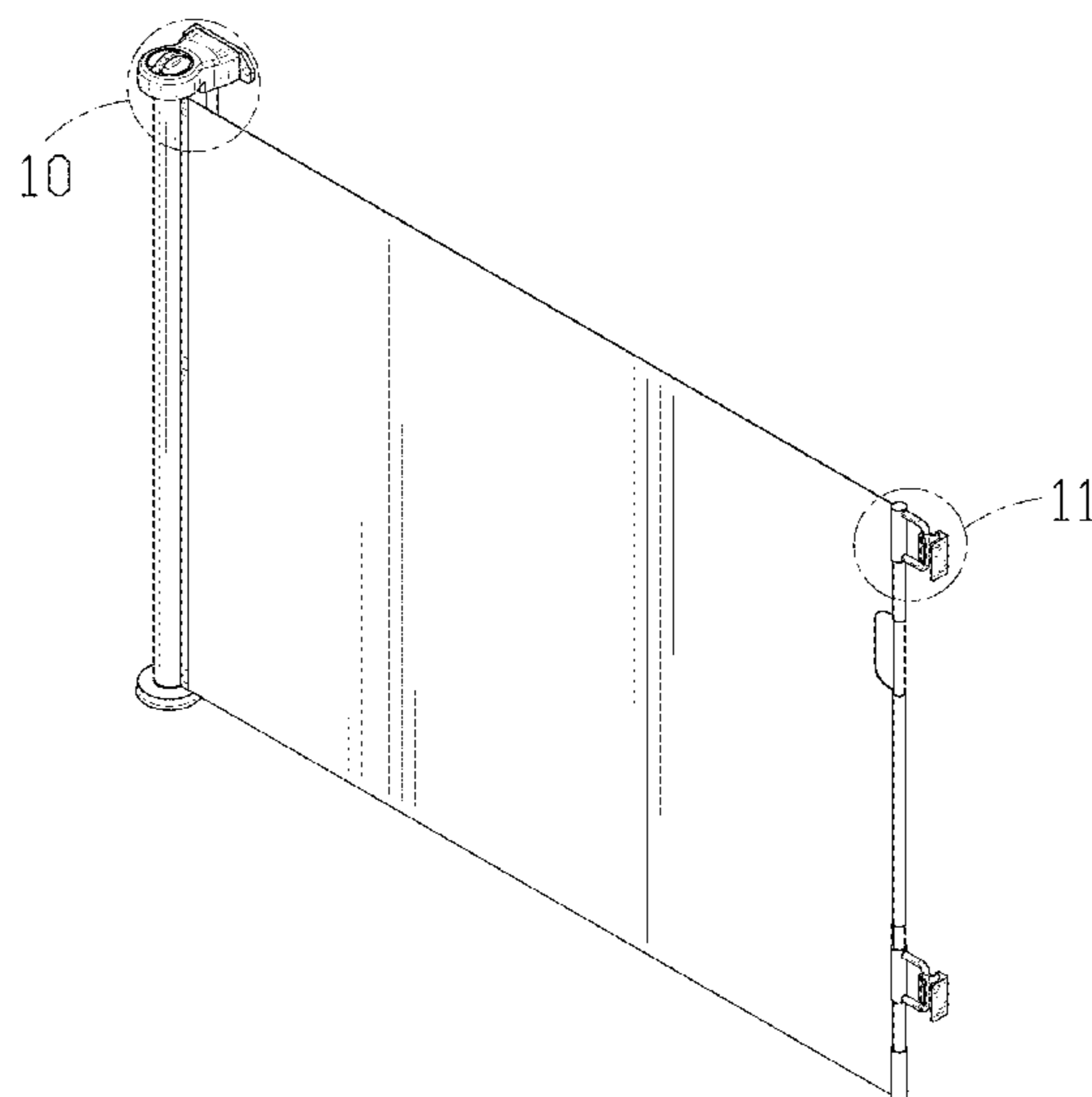
The ornamental design for a telescopic gate fence, as shown and described.

DESCRIPTION

FIG. 1 is a first perspective view of a telescopic gate fence showing my new design;
 FIG. 2 is a second perspective view thereof;
 FIG. 3 is a front view thereof;
 FIG. 4 is a back view thereof;
 FIG. 5 is a left side view thereof;
 FIG. 6 is a right side view thereof;
 FIG. 7 is a top view thereof;
 FIG. 8 is a bottom view thereof;
 FIG. 9 is a perspective view of another state of the telescopic gate fence thereof;
 FIG. 10 is an enlarged view of the selected portion in FIG. 1;
 FIG. 11 is an enlarged view of the selected portion in FIG. 1;
 FIG. 12 is an enlarged view of the selected portion in FIG. 2;
 FIG. 13 is an enlarged view of the selected portion in FIG. 2; and,
 FIG. 14 is an enlarged view of the selected portion in FIG. 2.

The broken lines shown in the drawings depict portions of the telescopic gate fence in which the design is embodied that form no part of the claimed design. The dot-dash broken line circles depict the limits of the enlarged views and form no part of the claimed design.

1 Claim, 14 Drawing Sheets



(56)

References Cited

U.S. PATENT DOCUMENTS

2008/0121352 A1* 5/2008 Cheng E01F 13/028
160/238
2008/0121354 A1* 5/2008 Cheng E01F 13/028
160/290.1
2013/0299101 A1* 11/2013 Wang E06B 9/60
160/303
2018/0044982 A1* 2/2018 Wang E06B 9/08
2019/0078382 A1* 3/2019 Wang E06B 9/17046
2021/0040791 A1* 2/2021 Wang E06B 9/08

OTHER PUBLICATIONS

Amazon Wiscky Retractable Baby Gate [* cited by examiner](https://www.amazon.com/dp/B08LDCXMG8/ref=sspa_dk_detail_2?pf_rd_p=33c4e3fc-b90b-44ce-8b60-9caf530f918e&pd_rd_wg=DmaQd&pf_rd_r=B8SF29JEKX46AAK3XJBZ&pd_rd_w=3trZg&pd_rd_r=eb0c0030-abff-415d-af70-e2c59b3cb091&s=baby-products URL &spLa=ZW5jc nIwdGVkUXVhbGImaWVyPUFIS1RDUTdNSEI5NkkmZW5jenI wdGVkSWQ9QTA4NTM1MTQxWkdXNIA2TDVGUDBLJmVuY 3J5cHRIZEFkSWQ9QTAxMDU0MDkzU1pCT0RLN0UwVUNXJ ndpZGdIdE5hbWU9c3BfZGV0YWIsX3RoZW1hdGIjJmFjdGIvbj 1jbGlja1JIZGIyZWNoJmRvTm90TG9nQ2xpY2s9dHJlZQ&th=1 Dec. 24, 2020 (Year: 2020).*</p></div><div data-bbox=)

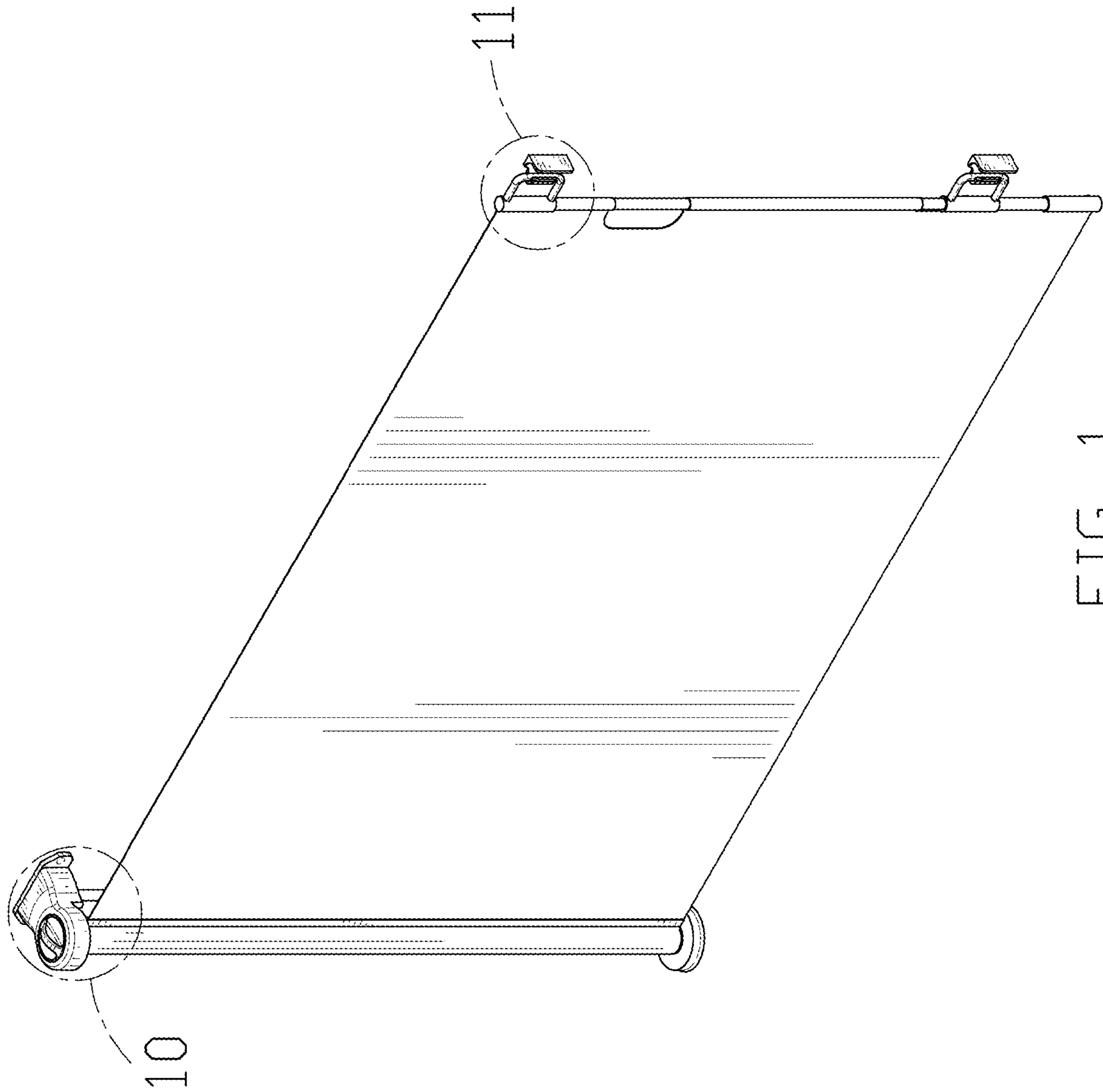
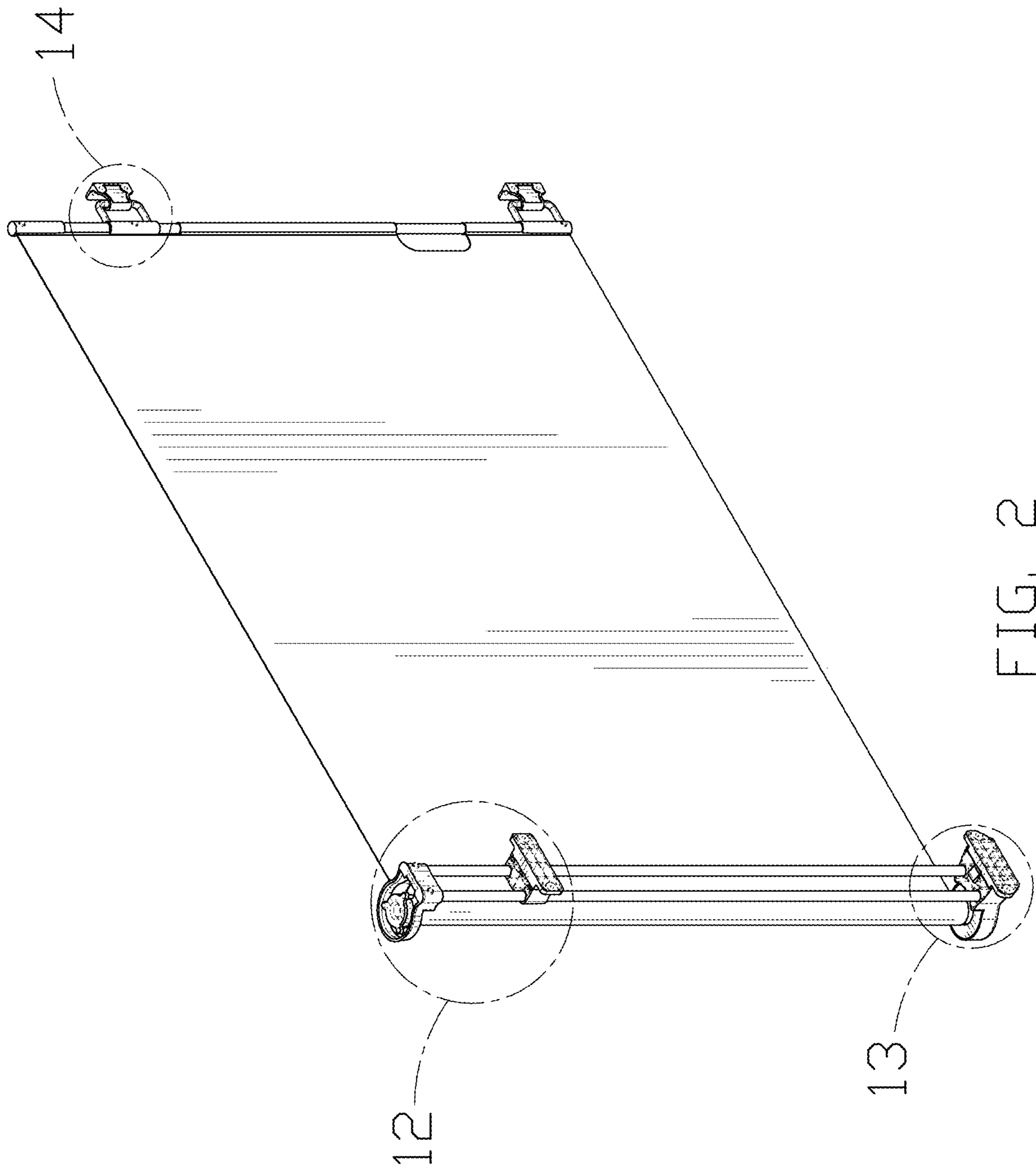


FIG. 1



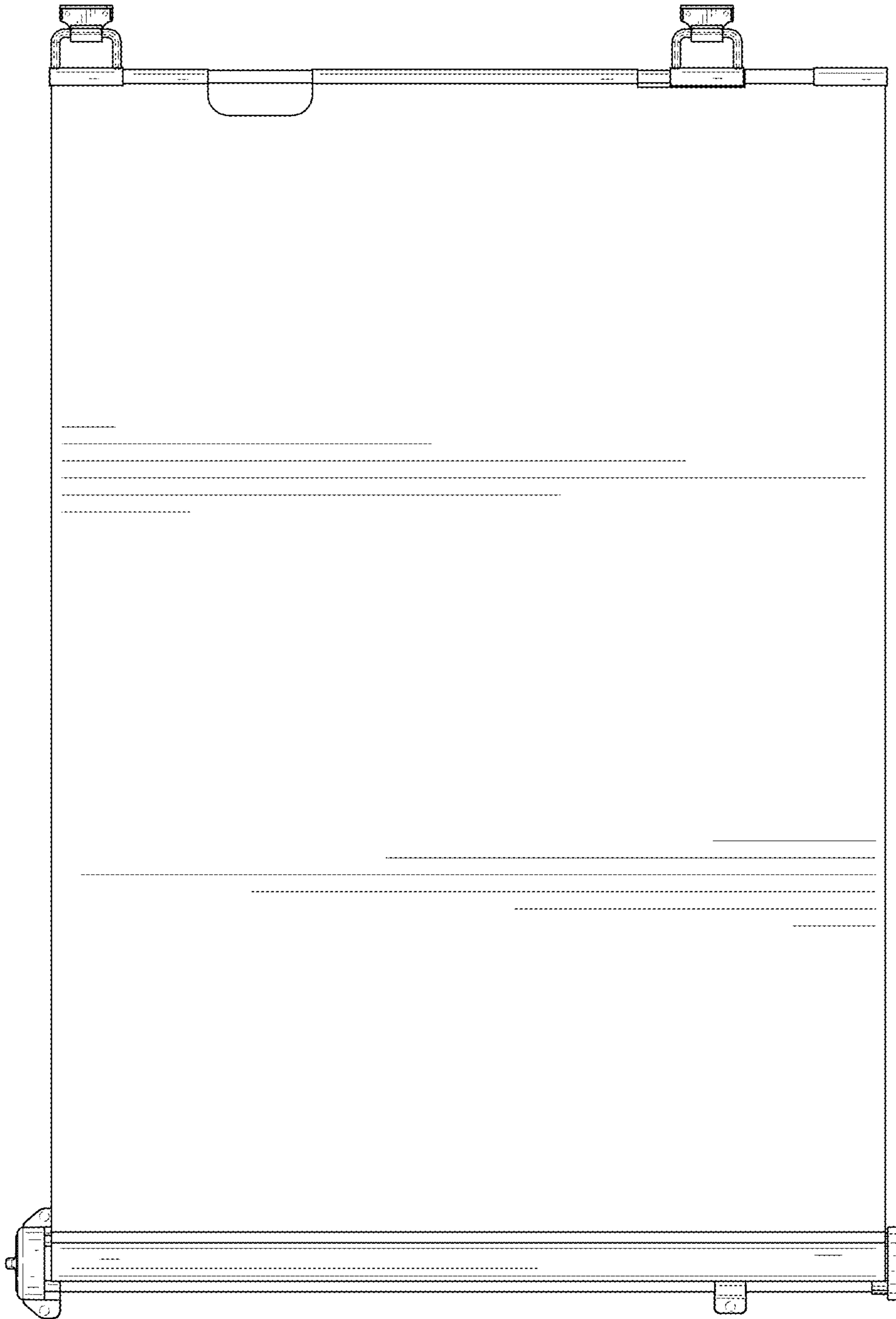


FIG. 3

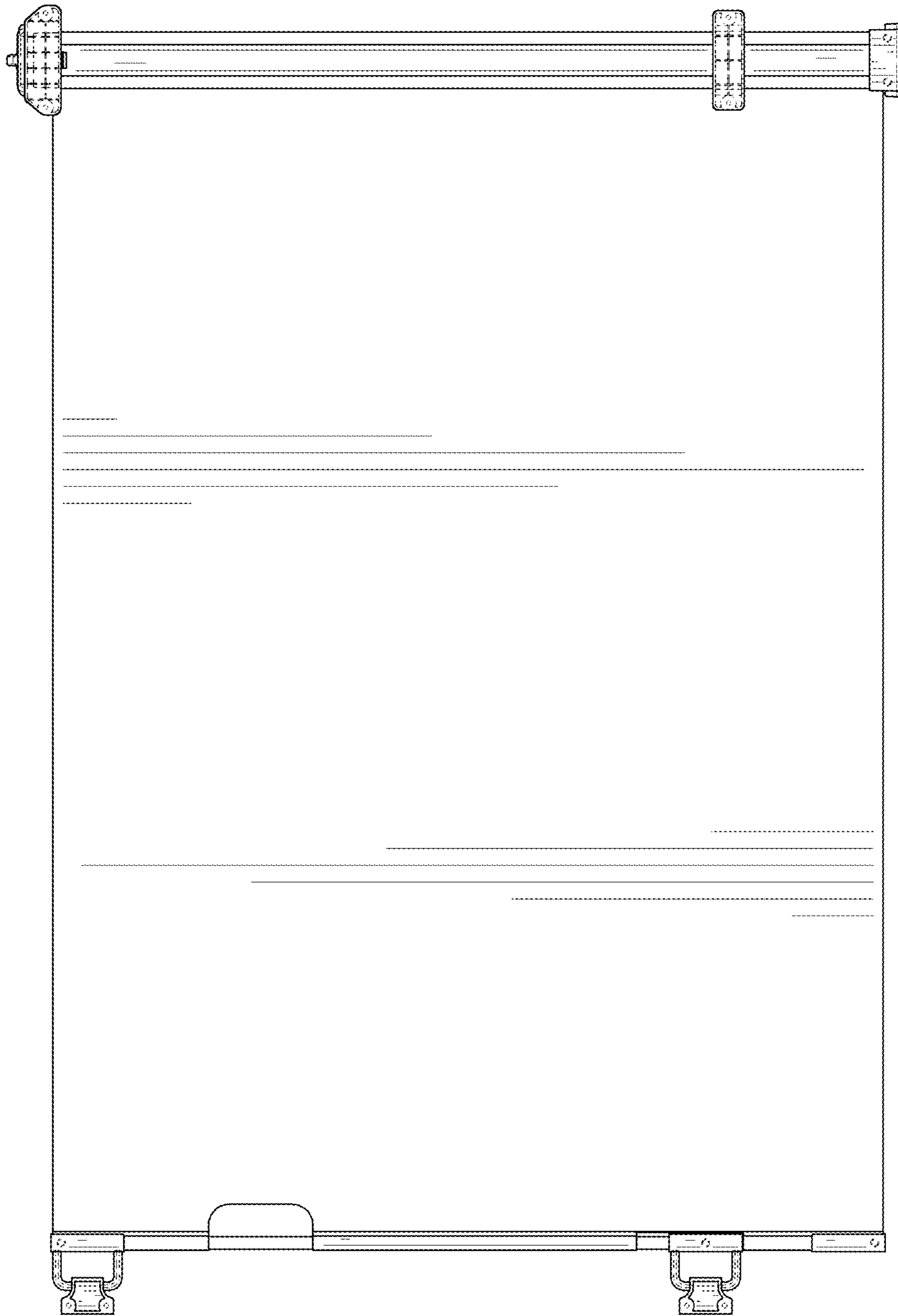


FIG. 4

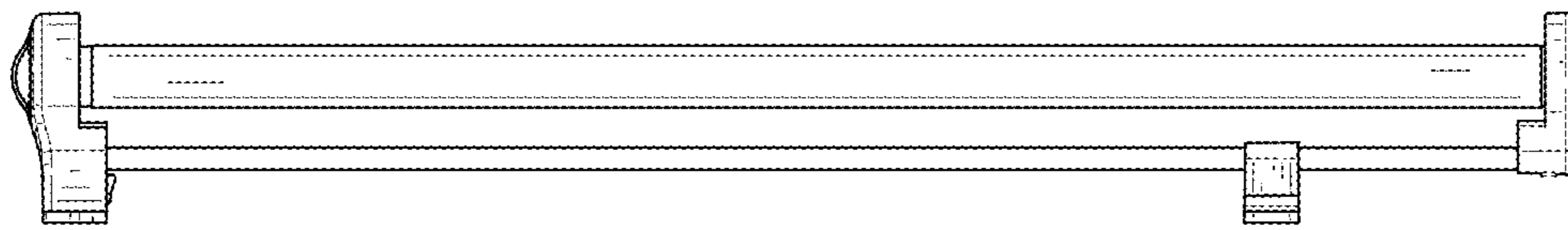


FIG. 5

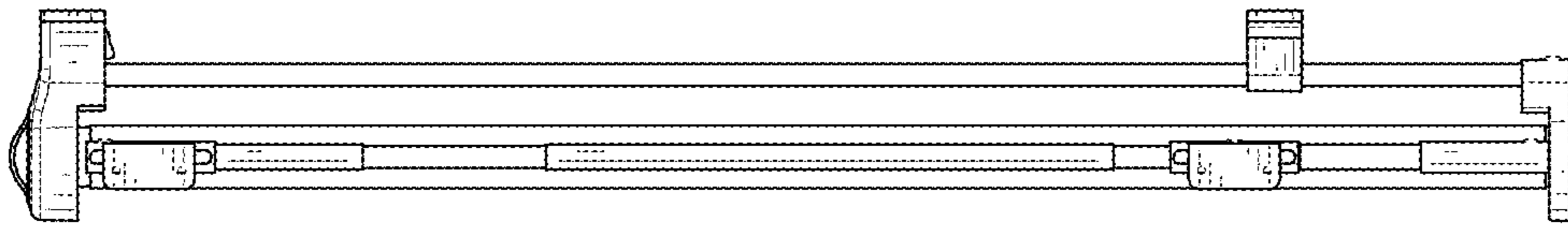


FIG. 6

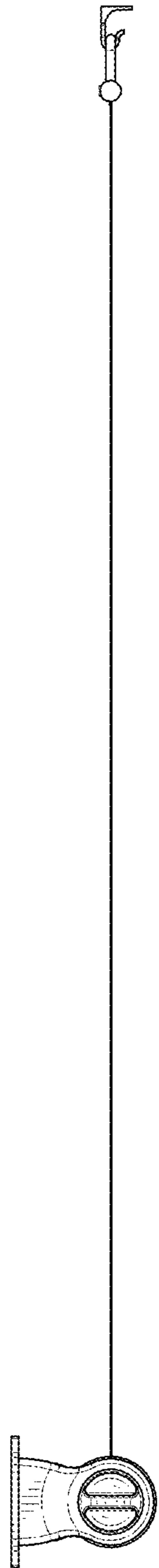


FIG. 7

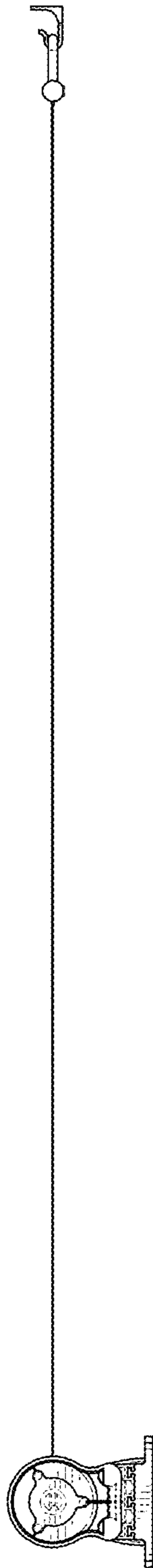


FIG. 8

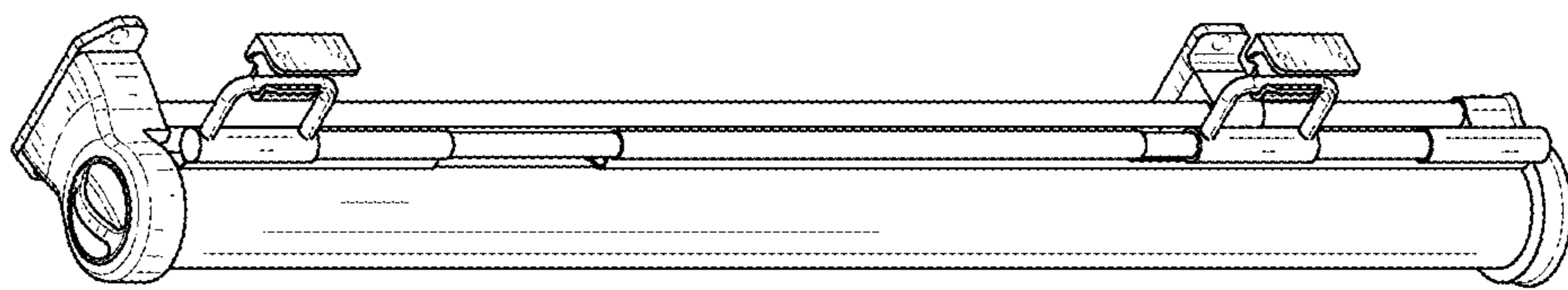


FIG. 9

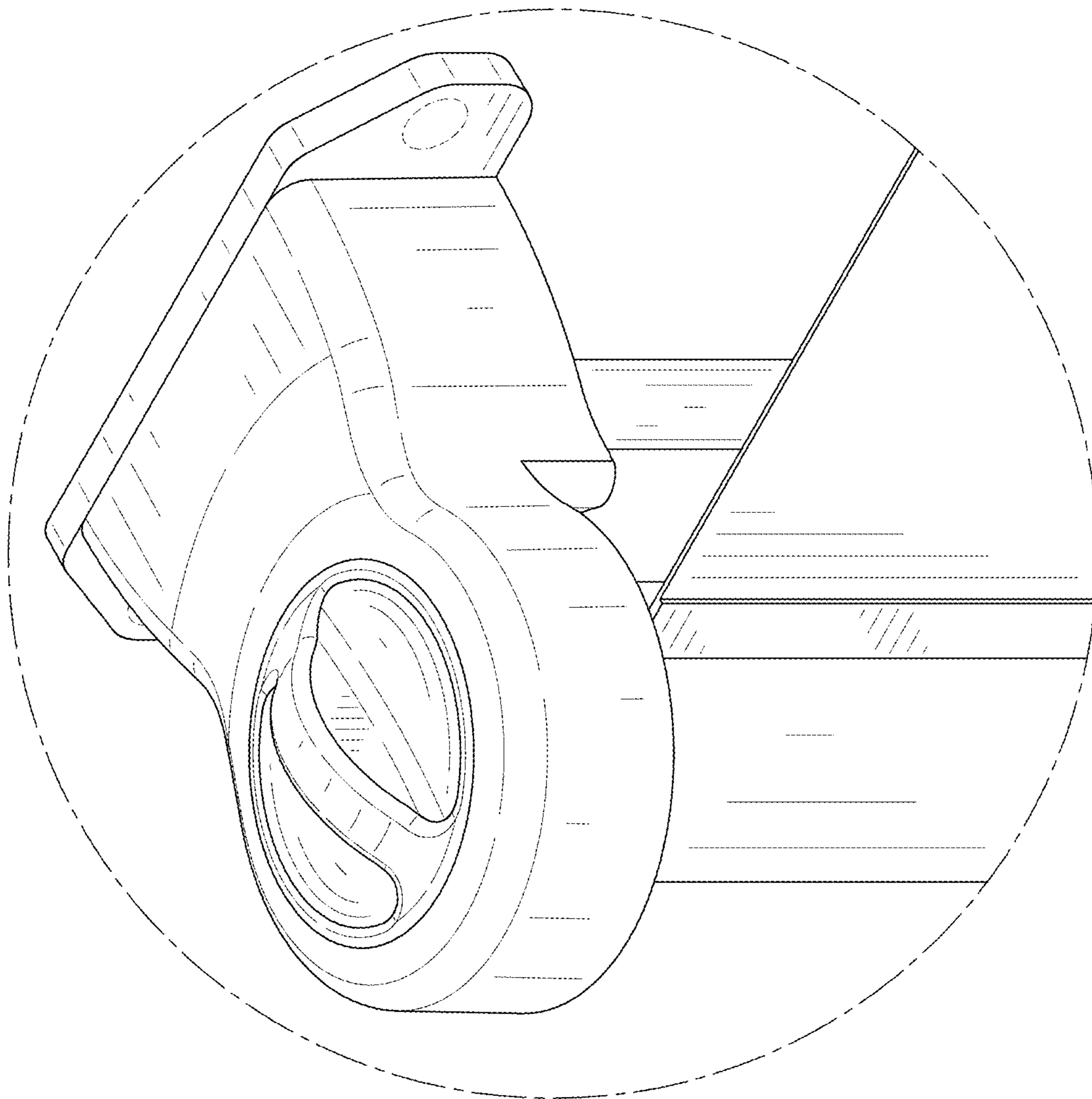


FIG. 10

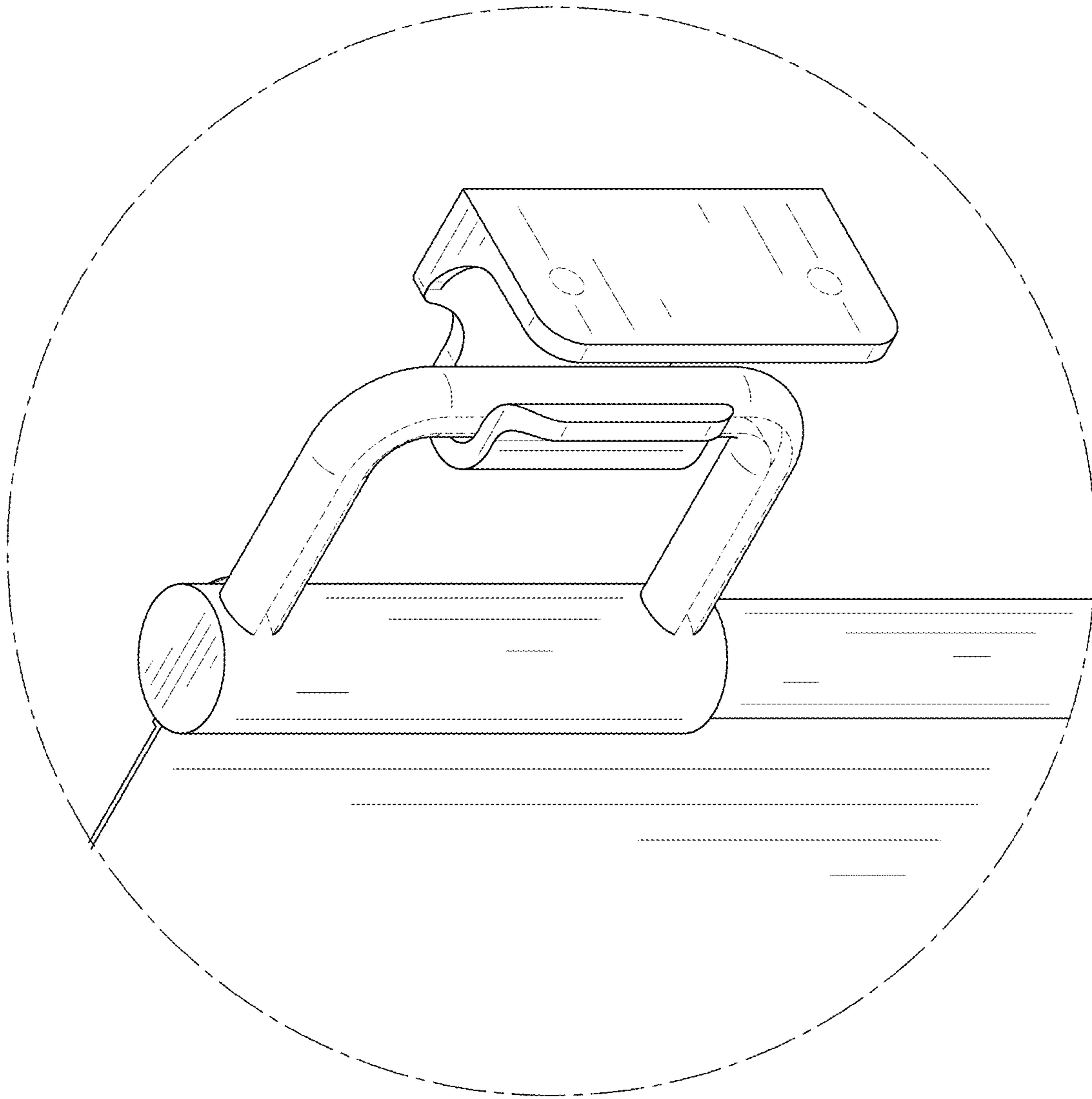


FIG. 11

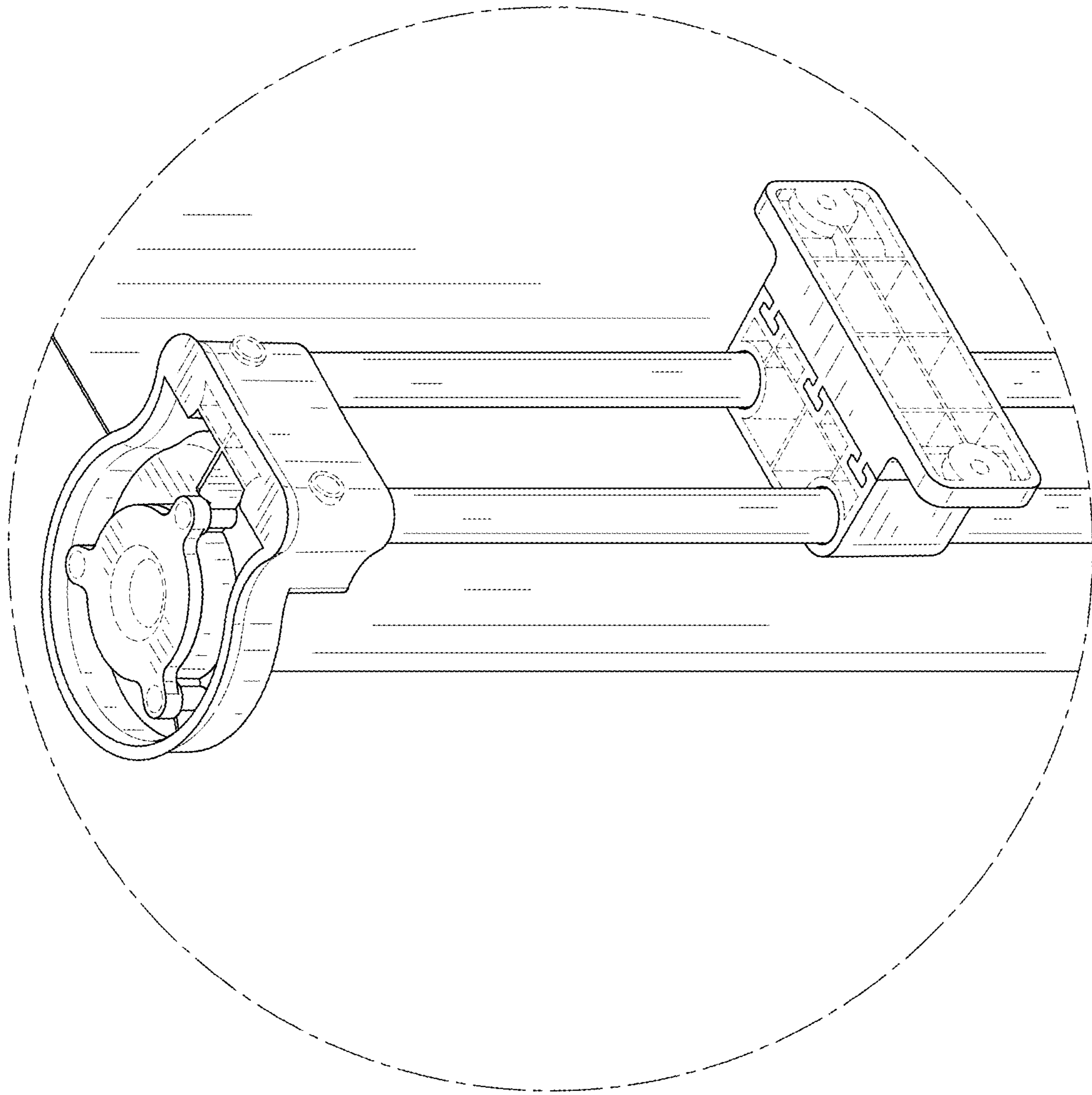


FIG. 12

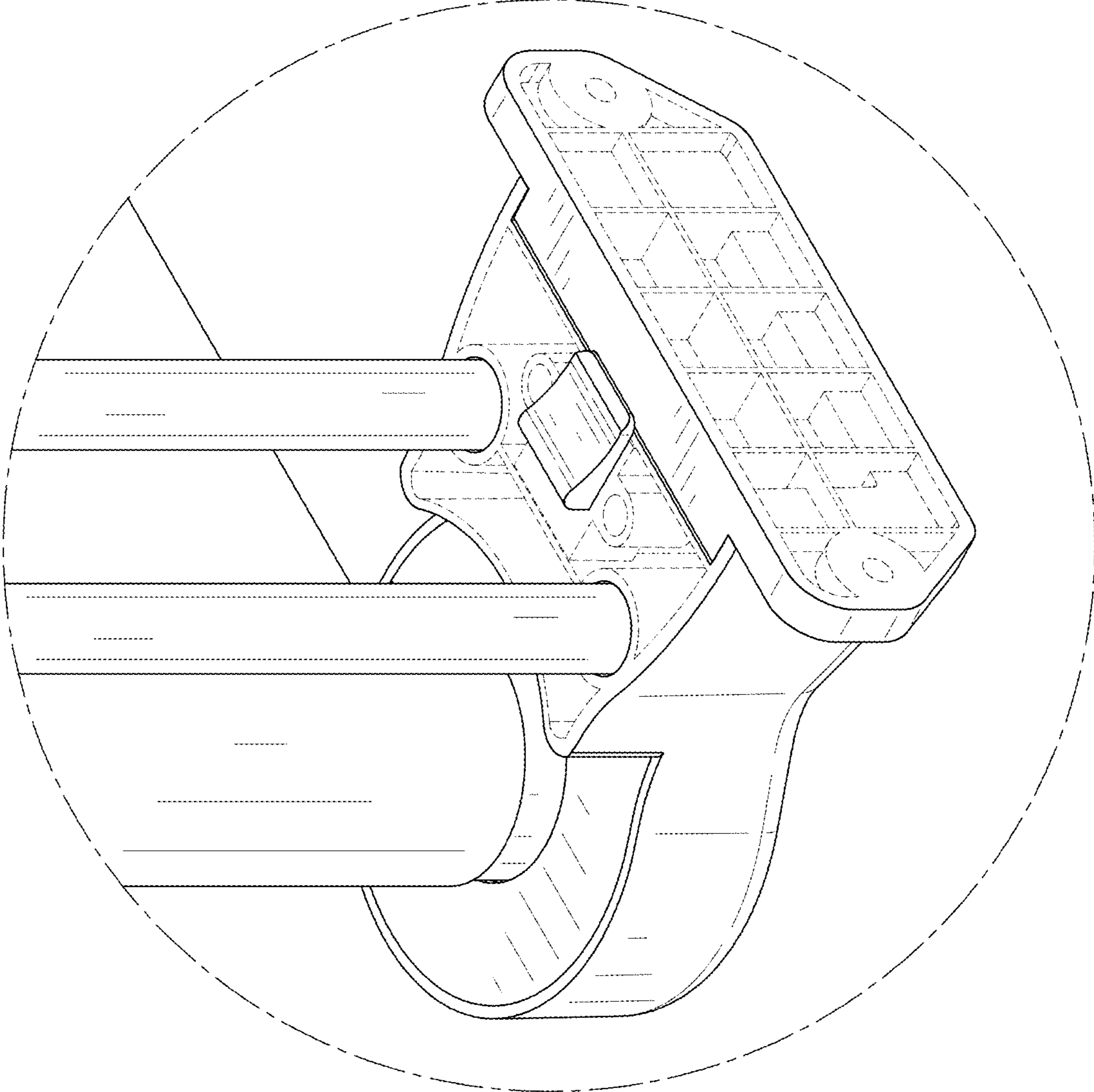


FIG. 13

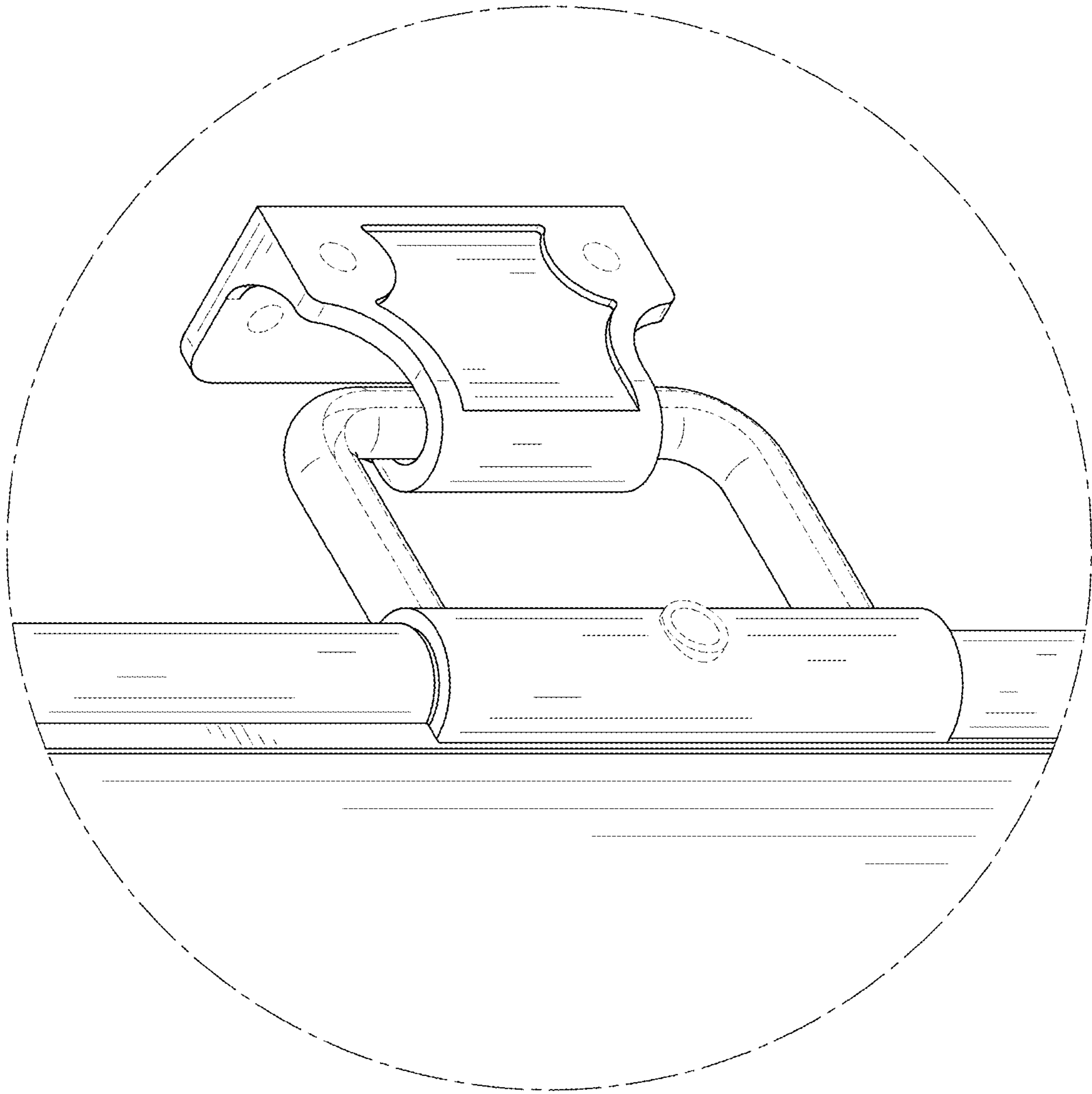


FIG. 14