



US00D972747S

(12) **United States Design Patent** (10) **Patent No.:** **US D972,747 S**  
**Marcinkowski et al.** (45) **Date of Patent:** **\*\* Dec. 13, 2022**

(54) **SOLUTION PRODUCTION SYSTEM**

(71) Applicant: **HCI CLEANING PRODUCTS LLC**,  
Westford, MA (US)

(72) Inventors: **Stanley Marcinkowski**, Peabody, MA  
(US); **David Owens**, Salisbury, MD  
(US); **Douglas Marsden**, Boston, MA  
(US)

(73) Assignee: **HCI Cleaning Products, LLC**,  
Westford, MA (US)

(\*\*) Term: **15 Years**

(21) Appl. No.: **29/794,122**

(22) Filed: **Jun. 10, 2021**

(51) **LOC (13) Cl.** ..... **24-01**

(52) **U.S. Cl.**  
USPC ..... **D24/232**

(58) **Field of Classification Search**  
USPC ..... D24/107, 186, 216, 232, 233, 234, 121,  
D24/122, 224, 231; D10/81; D9/517,  
D9/523; D7/305, 316, 600.1  
CPC . C25B 15/08; C25B 9/19; A61L 2/035; B05B  
11/0056; C01D 1/04  
See application file for complete search history.

(56) **References Cited**

U.S. PATENT DOCUMENTS

D286,178 S \* 10/1986 Geissmann ..... D24/232  
D328,492 S \* 8/1992 Mathis ..... D24/121

D610,254 S \* 2/2010 Huff ..... D24/121  
D685,219 S \* 7/2013 Ciampa ..... D7/319  
D711,180 S \* 8/2014 Villa ..... D7/300.1  
D739,038 S \* 9/2015 Perry ..... D24/224  
D886,322 S \* 6/2020 Neuman ..... D24/232  
D887,761 S \* 6/2020 Xu ..... D7/300.1  
11,105,011 B2 \* 8/2021 Marcinkowski ..... C25B 15/08  
D952,185 S \* 5/2022 Marcinkowski ..... D24/232  
2016/0330968 A1 \* 11/2016 Owens ..... C01D 1/04  
2018/0214584 A1 \* 8/2018 Marcinkowski ..... C01D 1/04  
2020/0123670 A1 \* 4/2020 Marcinkowski ..... C25B 9/19

\* cited by examiner

*Primary Examiner* — Anhdao Doan

(74) *Attorney, Agent, or Firm* — Danielson Legal LLC

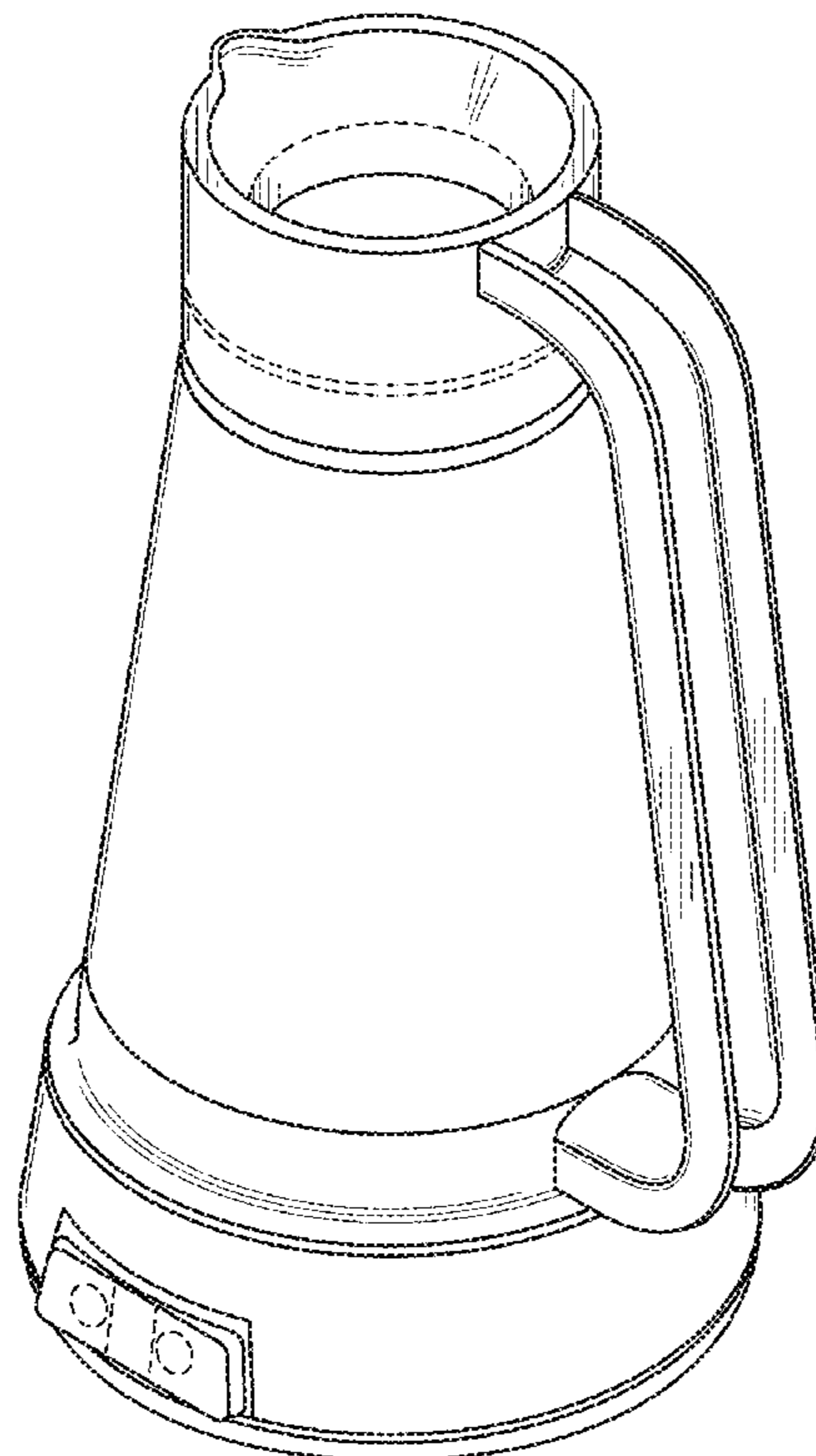
(57) **CLAIM**

The ornamental design for a solution production system, as shown and described.

**DESCRIPTION**

FIG. 1 is a perspective view of a solution production system of the present invention;  
FIG. 2 is a front view thereof;  
FIG. 3 is a right side view thereof;  
FIG. 4 is a left side view thereof;  
FIG. 5 is a rear view thereof;  
FIG. 6 is a top view thereof; and,  
FIG. 7 is a bottom view thereof.  
The broken lines represent portions of the article that form no part of the claim.

**1 Claim, 7 Drawing Sheets**



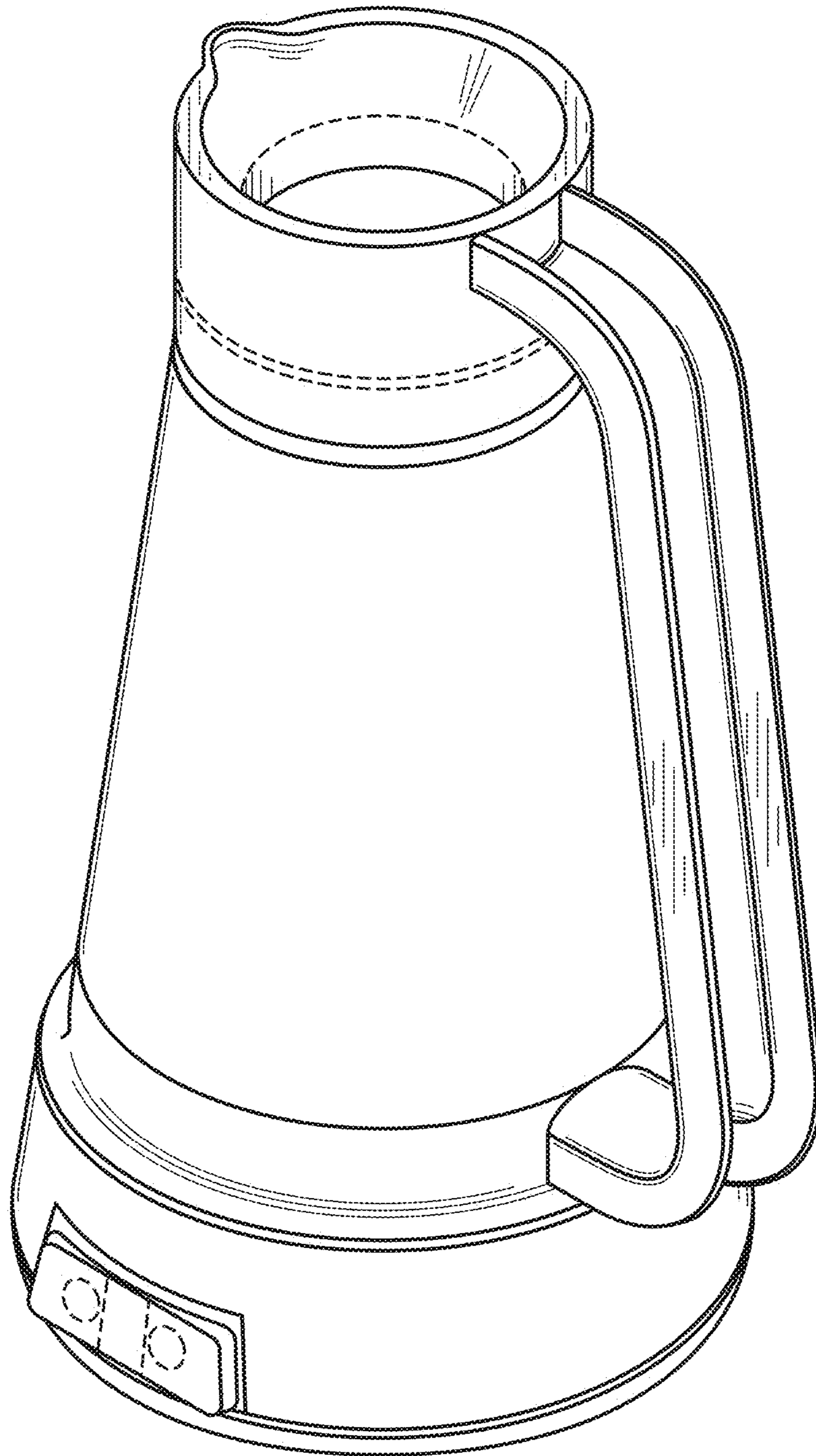


FIG. 1

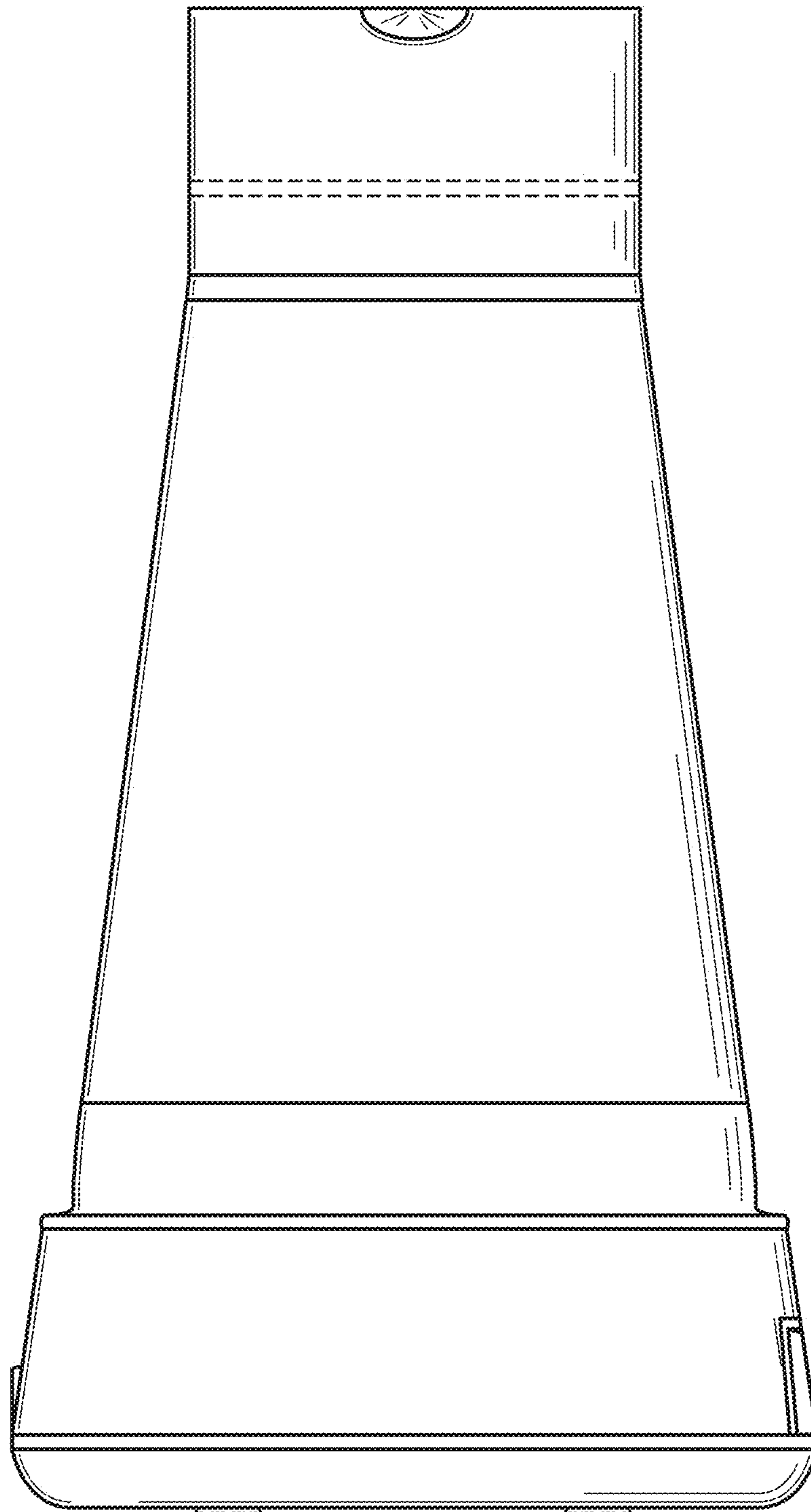


FIG. 2

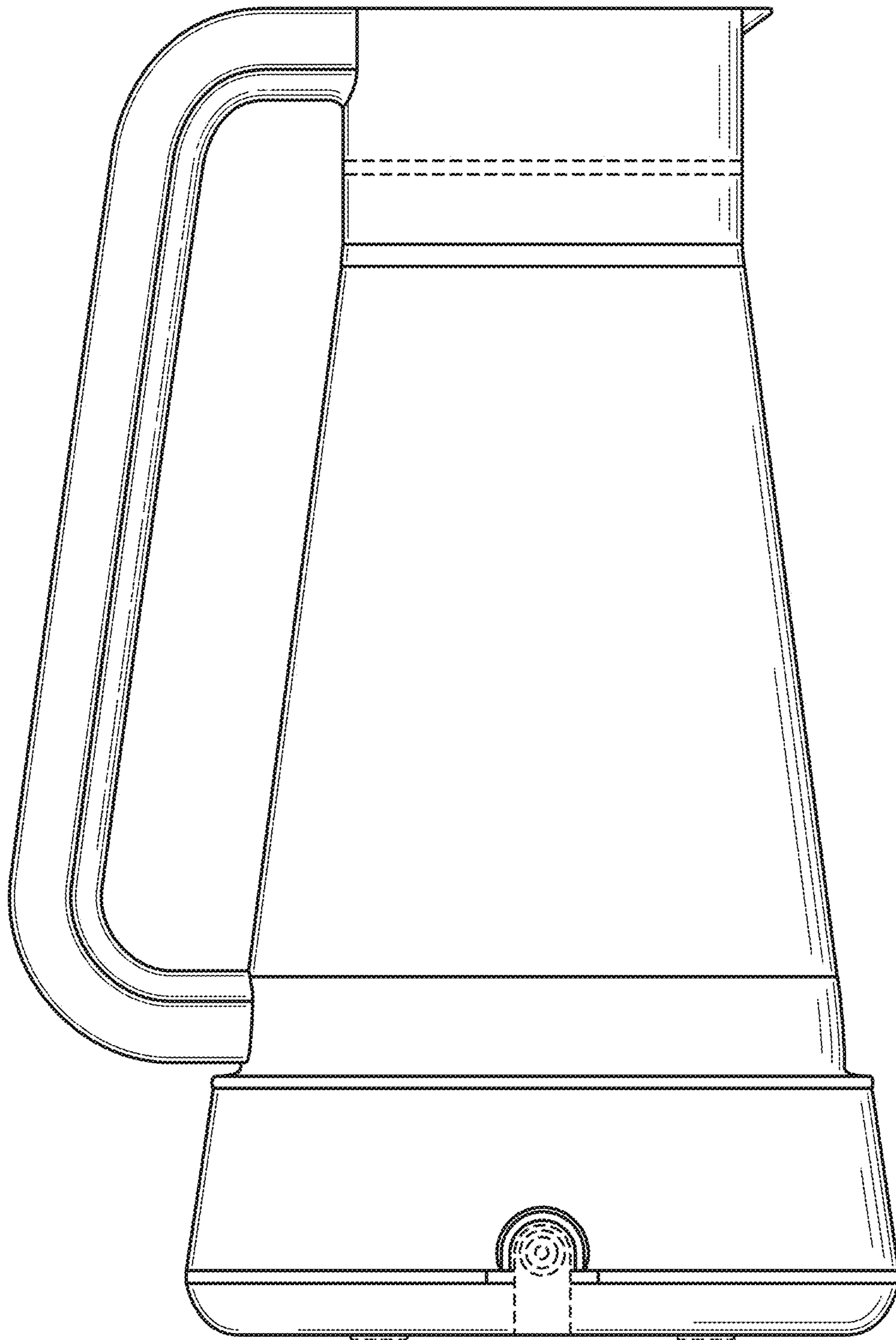


FIG. 3



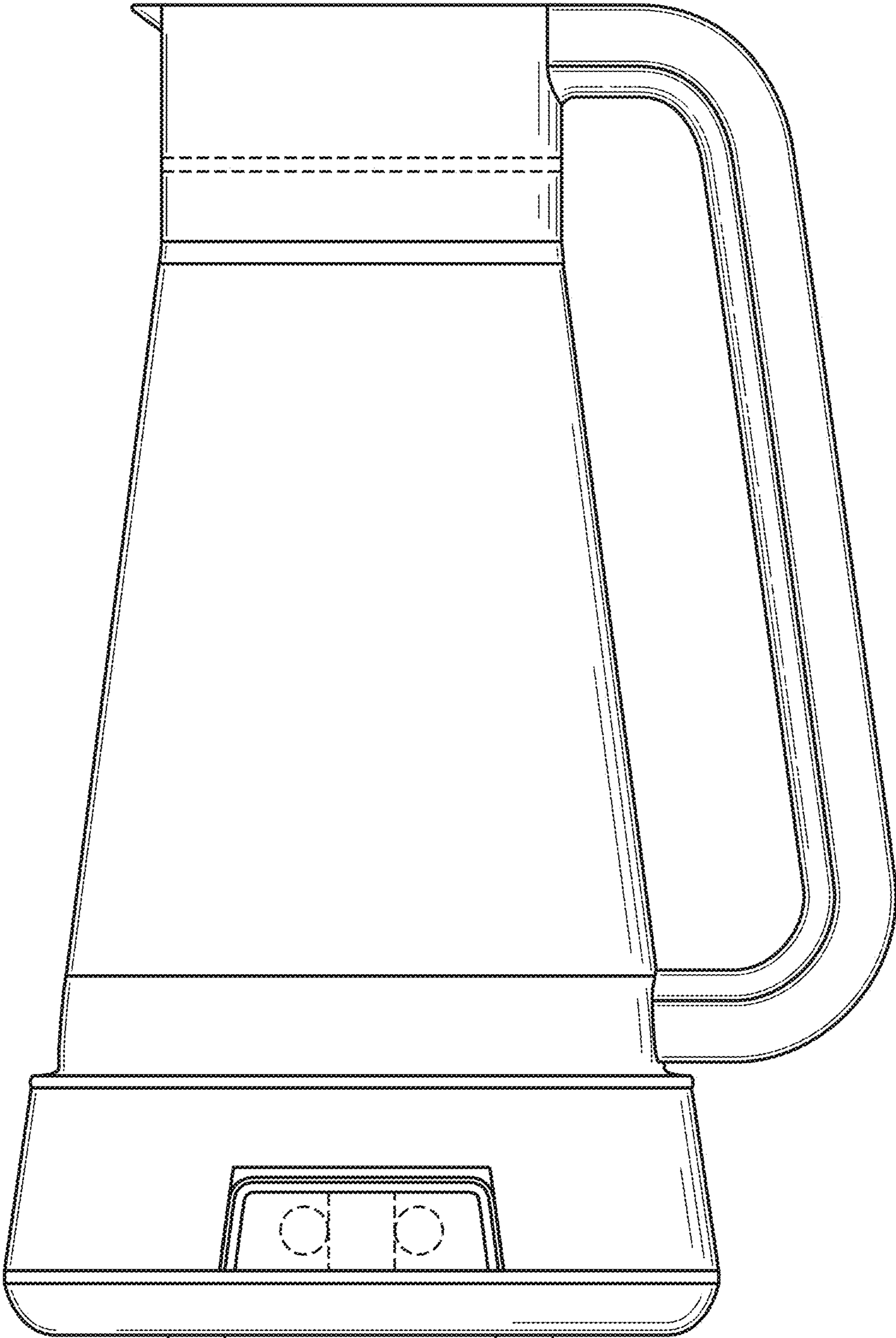


FIG. 4

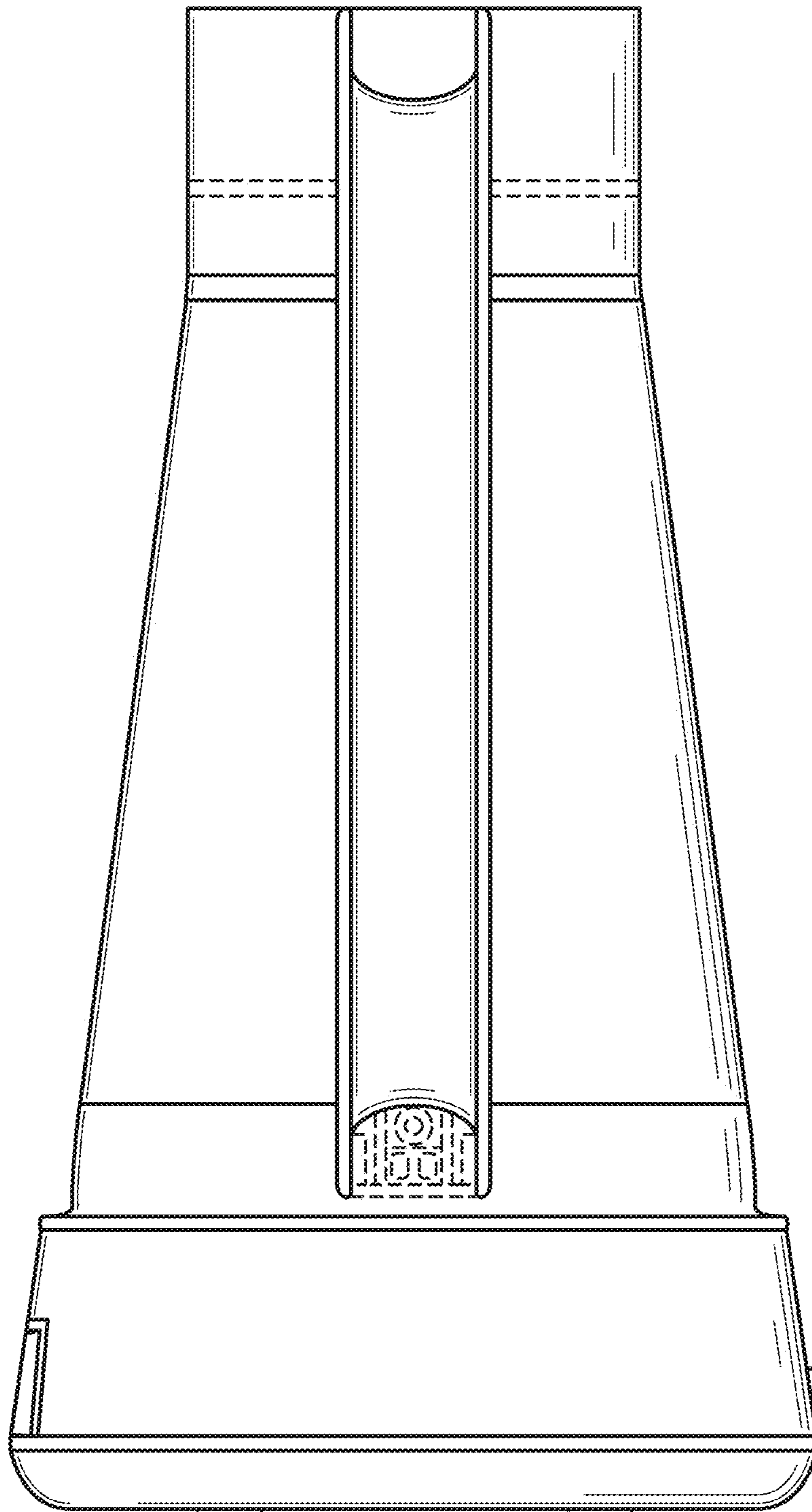


FIG. 5

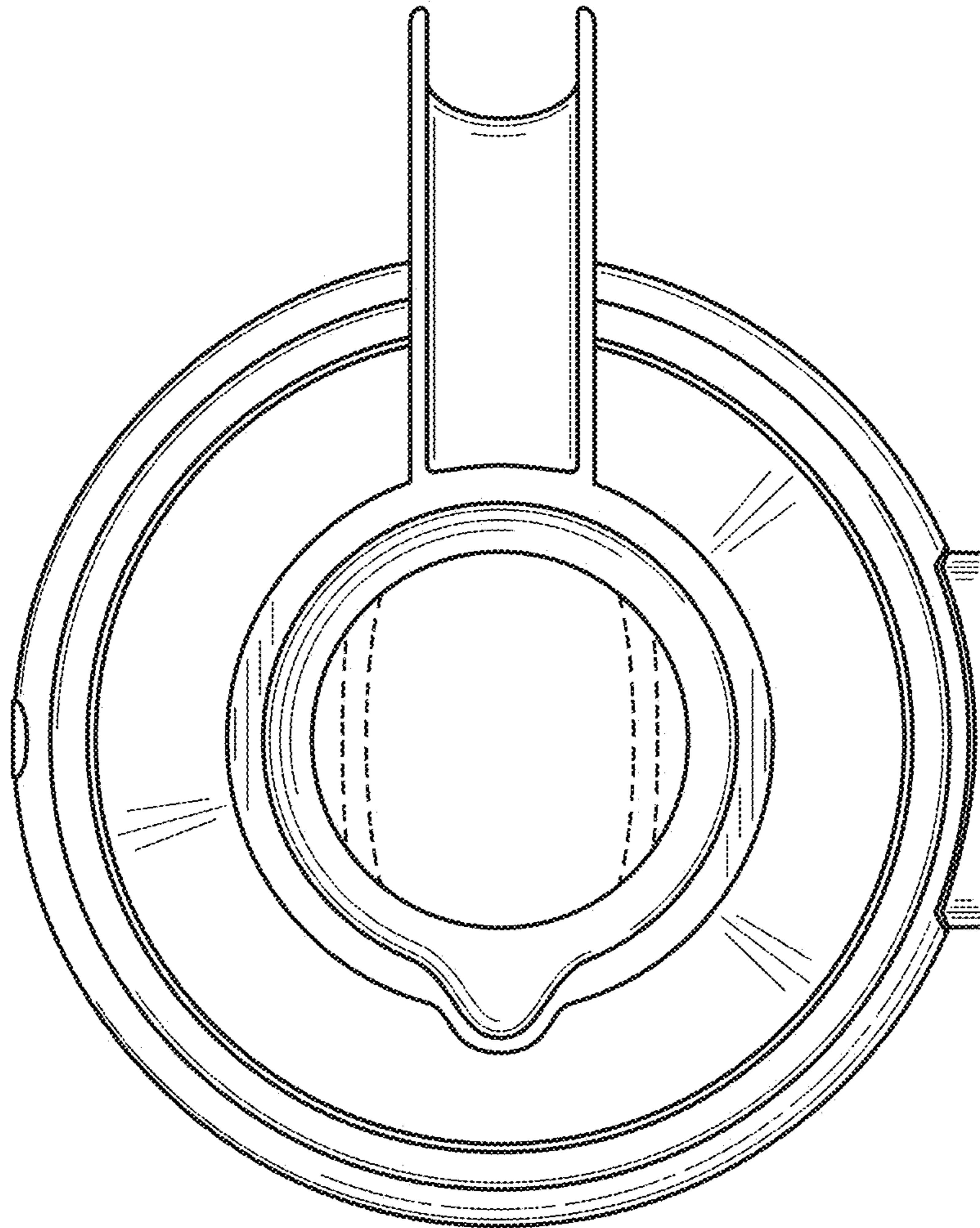


FIG. 6

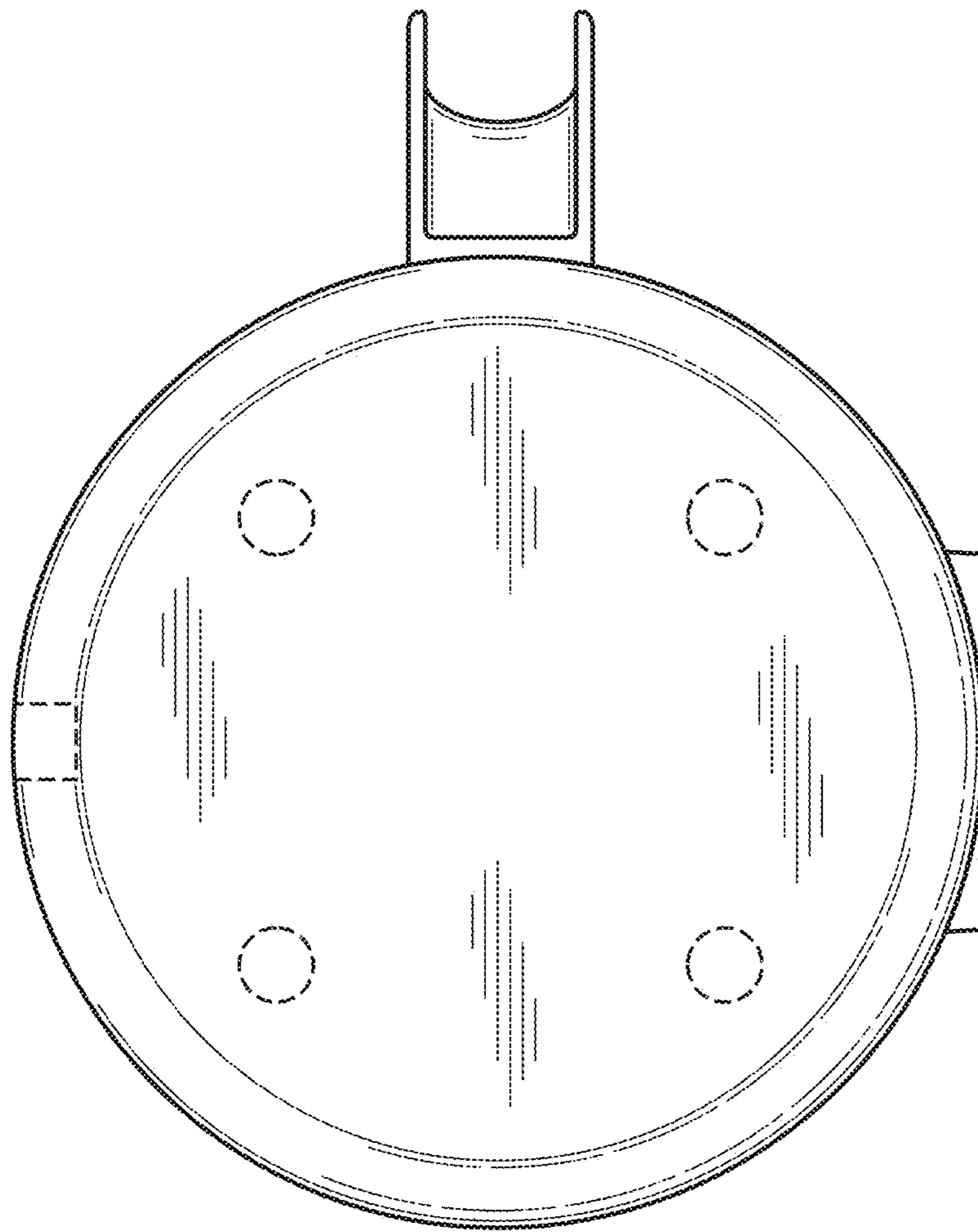


FIG. 7