



US00D972745S

(12) **United States Design Patent** (10) **Patent No.:** **US D972,745 S**
Cowe (45) **Date of Patent:** **** Dec. 13, 2022**

(54) **TESTING DEVICE**

FOREIGN PATENT DOCUMENTS

(71) Applicant: **Owen Mumford Limited**, Woodstock (GB)

AU 201710789 S 3/2017
AU 201710790 S 3/2017

(Continued)

(72) Inventor: **Toby Cowe**, Woodstock (GB)

OTHER PUBLICATIONS

(73) Assignee: **Owen Mumford Limited**, Oxfordshire (GB)

Unistik 3 Neonatal, YouTube, publication date Dec. 20, 2017, (online) URL: https://www.youtube.com/watch?v=VSS_CTG7dak (Year: 2017).*

(**) Term: **15 Years**

(Continued)

(21) Appl. No.: **29/746,406**

(22) Filed: **Aug. 13, 2020**

Primary Examiner — George D. Kirschbaum

Assistant Examiner — Antoinette Martine Suiter

(30) **Foreign Application Priority Data**

(74) *Attorney, Agent, or Firm* — Quarles & Brady LLP

May 7, 2020 (EM) 007877220-0001
May 7, 2020 (EM) 007877220-0002
May 7, 2020 (EM) 007877220-0003
May 7, 2020 (EM) 007877220-0004

(57) **CLAIM**

The ornamental design for a testing device, as shown and described.

(51) **LOC (13) Cl.** **24-02**

(52) **U.S. Cl.**
USPC **D24/223**

DESCRIPTION

(58) **Field of Classification Search**
USPC D10/78, 103, 102, 70, 47; D24/133, 223
CPC A61M 3/00; A61J 1/201; A61J 1/2086;
A61J 1/2096; A61J 1/2089
See application file for complete search history.

FIG. 1 is an isometric view of a front, top, and right side of a testing device;
FIG. 2 is a front elevational view of the testing device of FIG. 1;
FIG. 3 is a rear elevational view of the testing device of FIG. 1;
FIG. 4 is a right side elevational view of the testing device of FIG. 1;
FIG. 5 is a left side elevational view of the testing device of FIG. 1;
FIG. 6 is a top plan view of the testing device of FIG. 1; and,
FIG. 7 is a bottom plan view of the testing device of FIG. 1.
The dash-dash-dash broken lines are included for the purpose of illustrating portions of the testing device that form no part of the claimed design.

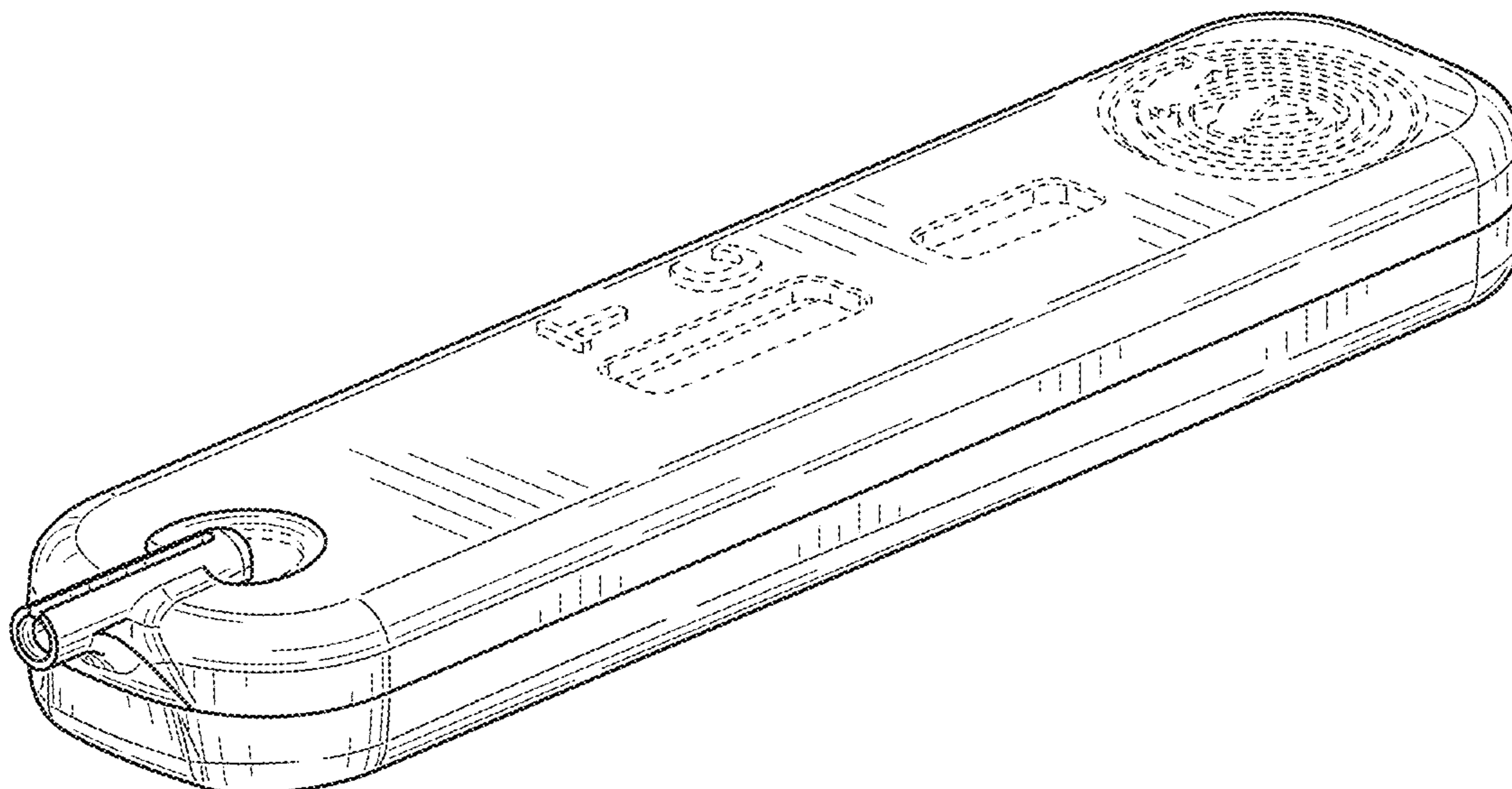
(56) **References Cited**

U.S. PATENT DOCUMENTS

2,916,161 A 12/1959 Schaefer
3,020,395 A 2/1962 Peltz
D227,191 S 6/1973 Cape
D233,021 S 10/1974 Chavez
4,011,857 A 3/1977 Rice
D247,025 S 1/1978 Cherry
D251,480 S 4/1979 Cherry
D258,050 S 1/1981 Cornou

(Continued)

1 Claim, 3 Drawing Sheets



(56)

References Cited

U.S. PATENT DOCUMENTS

D281,383 S 11/1985 Beach
 D292,634 S 11/1987 Chabot
 4,917,243 A 4/1990 Abrams et al.
 D315,424 S 3/1991 Claytor
 D315,805 S 3/1991 Claytor et al.
 D315,808 S 3/1991 Claytor et al.
 D317,070 S 5/1991 Ott et al.
 5,046,612 A 9/1991 Mostarda et al.
 D322,211 S 12/1991 Gary
 5,104,380 A 4/1992 Holman et al.
 D327,214 S 6/1992 Stuart
 D327,321 S 6/1992 Russell et al.
 D331,126 S 11/1992 Claytor
 5,242,421 A 9/1993 Chan
 D340,311 S 10/1993 Claytor
 D340,312 S 10/1993 Claytor
 D345,312 S * 3/1994 Nix D10/78
 5,350,367 A 9/1994 Stiehl et al.
 5,370,628 A 12/1994 Allison et al.
 5,393,497 A * 2/1995 Haber A61J 1/2089
 604/82
 5,439,453 A 8/1995 Kashanchi
 D362,064 S 9/1995 Smick
 5,472,433 A 12/1995 Suzuki
 5,527,296 A 6/1996 Kashanchi
 5,611,809 A 3/1997 Marshall et al.
 D383,606 S 9/1997 Bourbonnais
 D389,915 S * 1/1998 Emerson D24/144
 D412,990 S * 8/1999 Woolston D24/223
 D421,214 S 2/2000 Koros et al.
 D446,107 S 8/2001 Carter
 D448,844 S 10/2001 Reis
 D449,379 S 10/2001 Fuhr
 D456,082 S * 4/2002 Bouse D24/223
 6,372,514 B1 * 4/2002 Lee G01N 33/54366
 436/514
 6,425,885 B1 7/2002 Fischer et al.
 6,461,333 B1 10/2002 Frezza
 D470,391 S 2/2003 Adams
 6,692,463 B1 2/2004 Marteau et al.
 6,755,805 B1 6/2004 Reid
 D496,101 S 9/2004 Davison
 D505,200 S 5/2005 Simpson et al.
 D516,218 S 2/2006 Larocca
 7,004,930 B2 2/2006 Marshall
 D529,792 S 10/2006 Klein et al.
 D536,788 S * 2/2007 Trifilio D24/133
 7,223,259 B2 5/2007 Marshall et al.
 D553,737 S 10/2007 Rolfe
 7,462,168 B2 12/2008 Stonehouse et al.
 7,465,289 B2 12/2008 Marshall
 D585,154 S 1/2009 Ryder
 7,488,307 B2 2/2009 Rimlinger et al.
 D595,408 S * 6/2009 Kuntz D24/147
 7,540,858 B2 6/2009 DiBiasi
 D597,068 S * 7/2009 Whang D14/203.7
 7,699,814 B2 4/2010 Lande
 D614,981 S * 5/2010 Junes D10/70
 8,088,111 B2 1/2012 Cowe
 D660,977 S * 5/2012 Wagner D24/223
 D660,978 S * 5/2012 Wagner D24/223
 D669,579 S 10/2012 Marshall et al.
 8,343,109 B2 1/2013 Marshall et al.
 8,425,460 B2 4/2013 Cowe
 8,491,535 B2 7/2013 Limaye
 8,591,463 B1 * 11/2013 Cowe A61M 5/2033
 604/117
 8,632,503 B2 1/2014 Ruan et al.
 8,801,673 B2 8/2014 Zaiken et al.
 8,840,590 B2 9/2014 Richards et al.
 8,858,510 B2 10/2014 Karlsson
 8,876,781 B2 11/2014 Karlsson et al.
 D719,255 S 12/2014 Ohashi
 D719,256 S 12/2014 Ohashi
 D721,803 S 1/2015 Dubach

8,932,254 B2 1/2015 Eaton
 D722,160 S 2/2015 Armstrong
 D726,329 S * 4/2015 Sokolov D24/223
 8,998,855 B2 4/2015 Hudson et al.
 D732,660 S 6/2015 Ohashi
 9,078,983 B2 7/2015 Herr
 D739,933 S 9/2015 Ettlin
 D740,410 S 10/2015 Korkuch et al.
 9,199,041 B2 12/2015 Edginton
 9,238,111 B2 1/2016 Marshall et al.
 D749,441 S * 2/2016 Rekow D10/78
 9,272,100 B2 3/2016 Herr
 D756,513 S * 5/2016 Cheney D24/133
 D765,241 S 8/2016 Holland
 D765,264 S * 8/2016 Zin D24/223
 D770,057 S * 10/2016 Snider D24/223
 9,545,484 B2 1/2017 Bicknell et al.
 9,623,194 B2 4/2017 Srinivasan et al.
 9,649,452 B2 5/2017 Srinivasan et al.
 D800,332 S * 10/2017 Snider D24/223
 D802,752 S 11/2017 Holland
 D802,753 S 11/2017 Holland
 D803,393 S 11/2017 Holland
 10,022,505 B2 7/2018 Hu
 D840,030 S * 2/2019 Smith D24/140
 D846,738 S * 4/2019 Kalina, Jr. D24/133
 D847,981 S 5/2019 Calvert et al.
 D855,825 S * 8/2019 Parsons D24/223
 10,426,898 B2 10/2019 Cowe et al.
 D866,757 S * 11/2019 Diluzio D24/133
 10,518,045 B2 12/2019 Calvert
 10,532,164 B2 1/2020 Calvert
 D884,919 S * 5/2020 Parsons D24/223
 10,682,475 B2 6/2020 Evans
 10,695,507 B2 6/2020 Evans et al.
 D912,810 S * 3/2021 Harry D24/133
 D913,520 S * 3/2021 Gani D24/223
 D928,980 S * 8/2021 Fang D24/223
 D939,105 S * 12/2021 Li D24/223
 2007/0299394 A1 12/2007 Rolfe et al.
 2014/0288506 A1 9/2014 Mumford et al.
 2016/0303331 A1 10/2016 Evans et al.
 2016/0354553 A1 12/2016 Anderson et al.
 2017/0326309 A1 11/2017 Calvert
 2018/0043110 A1 2/2018 Holland
 2018/0147361 A1 5/2018 Holland
 2018/0289899 A1 10/2018 Gould
 2019/0001072 A1 1/2019 Holland
 2019/0030258 A1 1/2019 Crossman et al.
 2019/0224421 A1 7/2019 Holland
 2020/0061304 A1 2/2020 Cowe et al.
 2020/0086062 A1 3/2020 Calvert et al.
 2020/0230326 A1 7/2020 Calvert
 2020/0238008 A1 7/2020 Holland

FOREIGN PATENT DOCUMENTS

AU 201710791 S 3/2017
 CN 101287512 B 12/2011
 CN 303409958 S 10/2015
 CN 303703710 S 6/2016
 CN 303703711 S 6/2016
 CN 303890300 S 10/2016
 CN 305880115 S 6/2020
 DE 1766600 A1 7/1971
 EM 0025380740001 S 4/2017
 EM 0028174110001 8/2017
 EM 0027062340001 11/2017
 EM 0027062340002 11/2017
 EM 0027062340003 11/2017
 EM 0027062340004 11/2017
 EM 0027062340005 11/2017
 EM 0027062340006 11/2017
 EM 0027062340007 11/2017
 EM 0027062340008 11/2017
 EP 0279583 B1 10/1993
 EP 1079878 A1 3/2001
 EP 1507566 A1 2/2005
 EP 1628694 B1 7/2007

(56)

References Cited

FOREIGN PATENT DOCUMENTS

EP	2310072	A2	4/2011
EP	2015809	B1	11/2015
EP	3174582	B1	12/2015
EP	1919540	B1	5/2016
EP	1919541	B1	8/2016
EP	2419163	B1	10/2016
EP	2627384	B1	12/2016
EP	1744799	B1	6/2017
EP	2771049	B1	6/2017
EP	3405236	A1	11/2018
EP	3405233	B1	4/2020
EP	3345636	B1	5/2020
FR	2649893	A1	1/1991
FR	19970379001	S1	6/1997
GB	2465389	A	5/2010
GB	2469671	A	10/2010
GB	2472578	A	2/2011
GB	2486690	A	6/2012
GB	2492941	A	1/2013
GB	2507345	A	4/2014
GB	2560508	A	9/2018
IN	1435DELNP2008	A	8/2008
IN	1472DELNP2008	A	9/2008
IN	1576DELNP2011	A	12/2011
JP	2007534409	A	11/2007
JP	2016052579	A	4/2016
JP	1564636	S	12/2016
JP	1655381	S	3/2020
KR	300903918	S	4/2016

MX	49503	S	4/2016
RU	103646	S	4/2016
TW	D180966	S	1/2017
TW	202026023	A	7/2020
WO	1991008786	A1	6/1991
WO	1999007279	A1	2/1999
WO	2005102424	A1	11/2005
WO	2006124947	A1	11/2006
WO	2007099367	A1	9/2007
WO	2007132185	A1	11/2007
WO	2010119271	A1	10/2010
WO	2012049493	A1	4/2012
WO	2013061039	A1	5/2013
WO	2013088178	A1	6/2013
WO	2014167340	A1	10/2014
WO	2016026952	A1	2/2016
WO	2016181127	A1	11/2016
WO	2017141045	A1	8/2017
WO	2018060682	A1	4/2018
WO	2020065010	A1	4/2020

OTHER PUBLICATIONS

Tweet, by Owen Mumford, publication date Apr. 5, 2019, (online)
 URL: <https://twitter.com/owenmumford/status/1121369534785556480>
 (Year: 2019).*

U.K. Office Action, dated Mar. 9, 2015, in corresponding U.K. Patent Application No. GB1414911.6.

Autopen™, Owen Mumford Ltd. Of Woodstock. UK. One page (May 7, 2007) <http://www.owenmumford.com>.

* cited by examiner

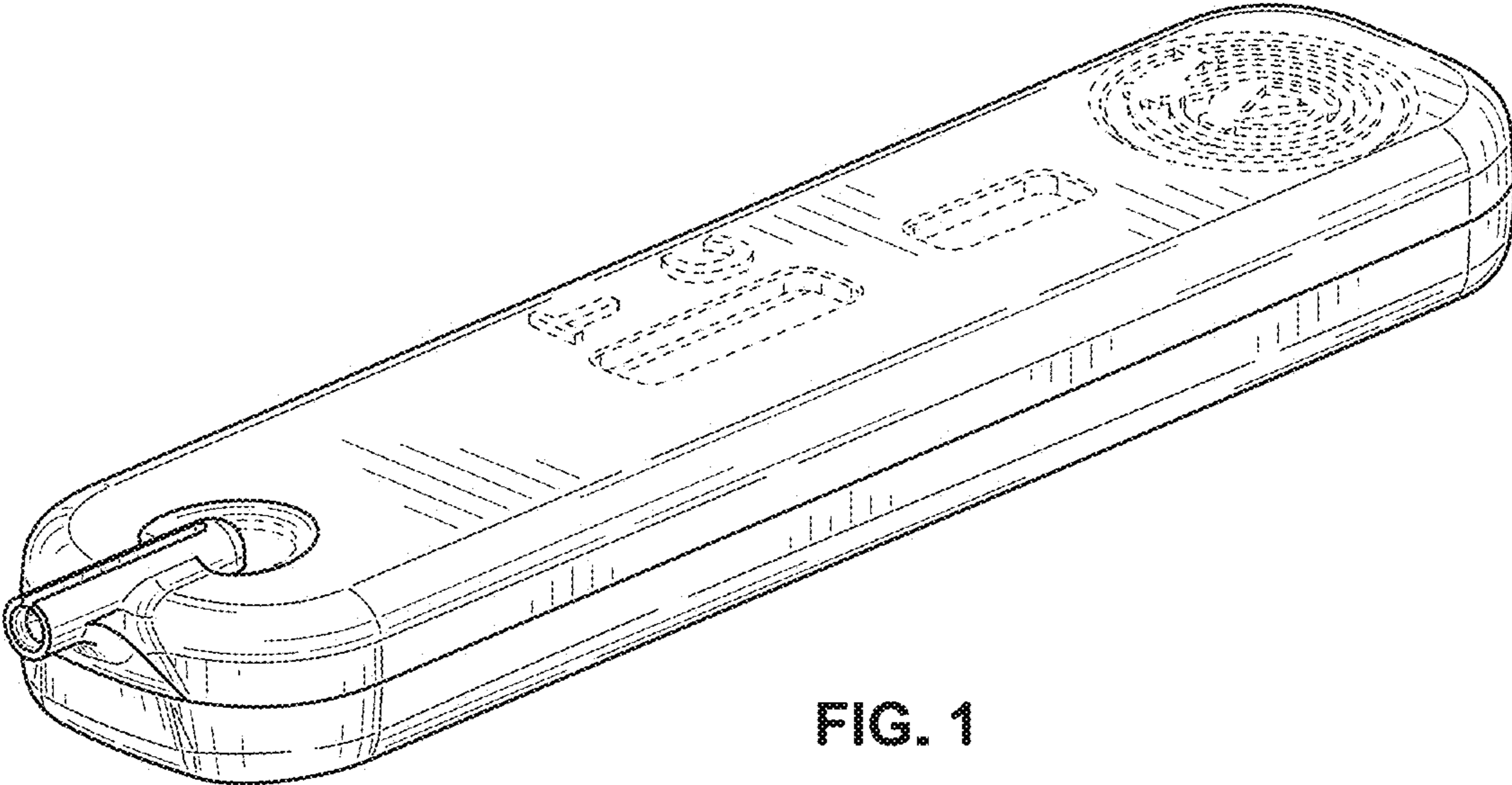


FIG. 1

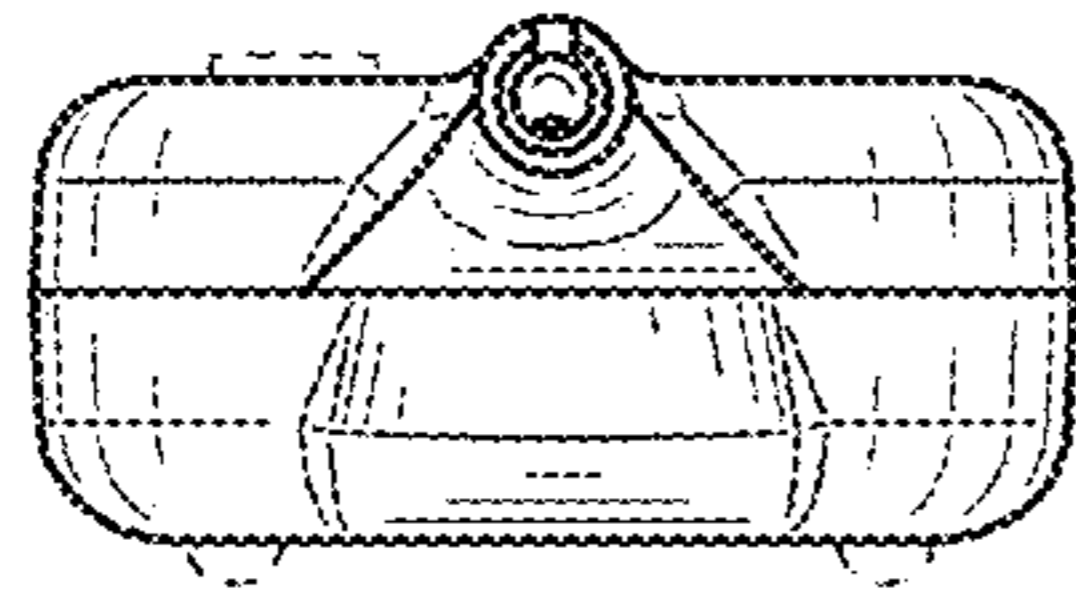


FIG. 2

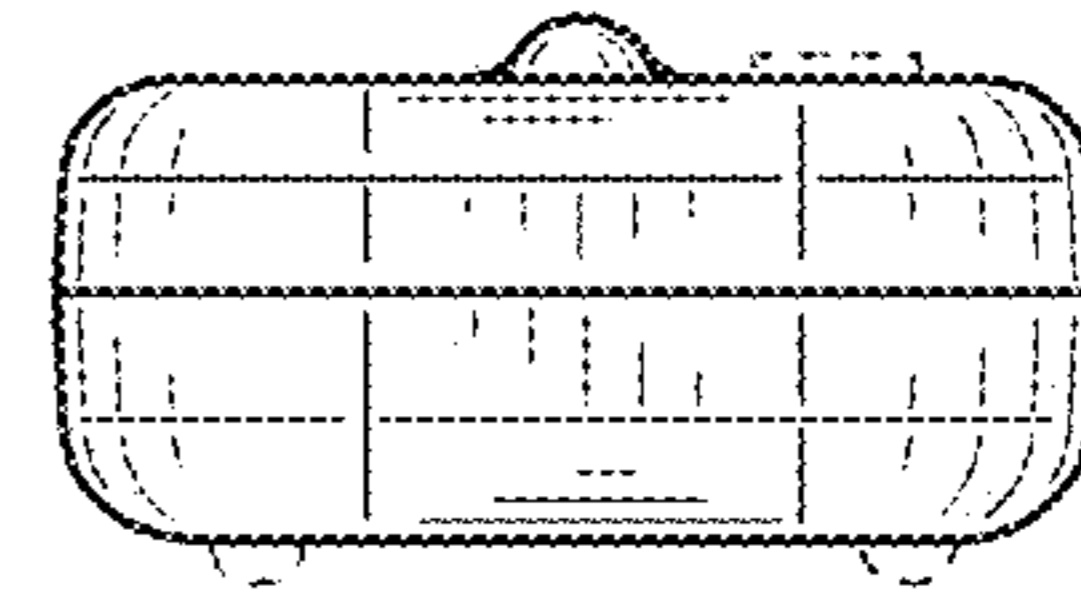


FIG. 3

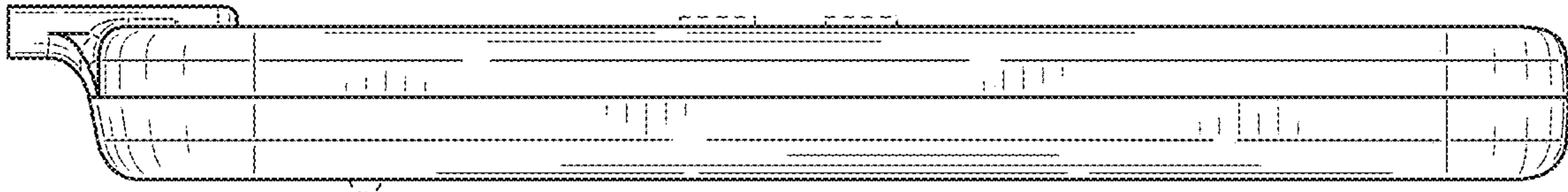


FIG. 4

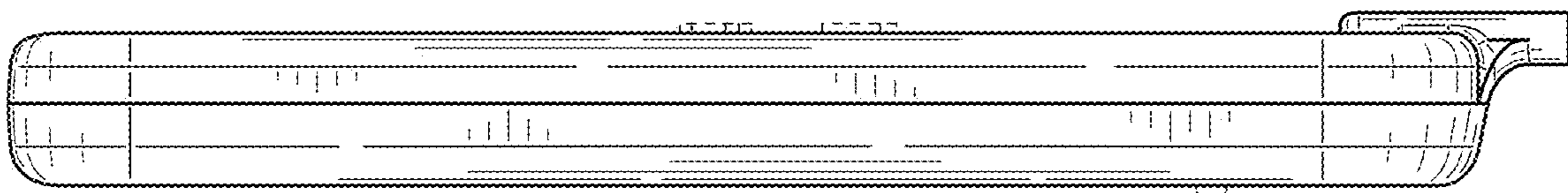


FIG. 5

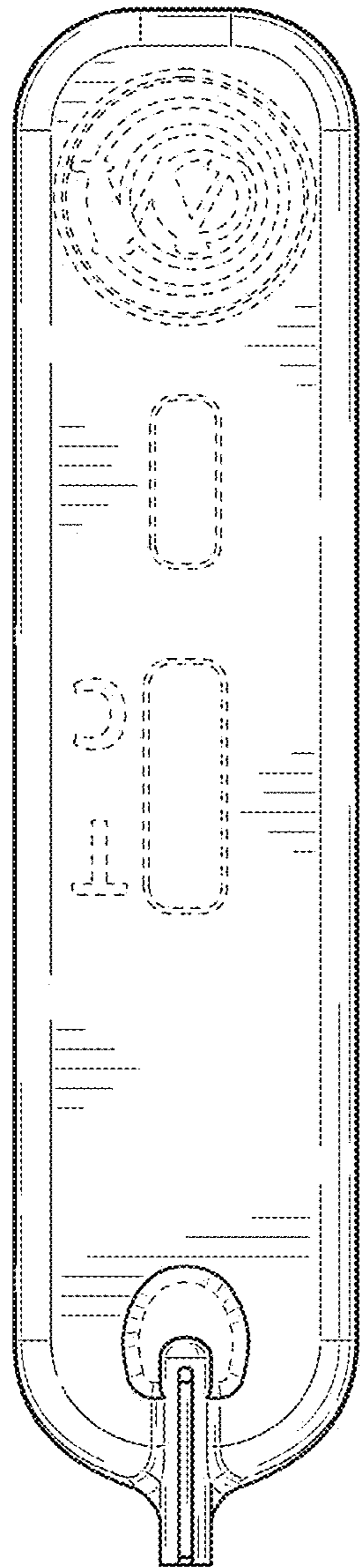


FIG. 6

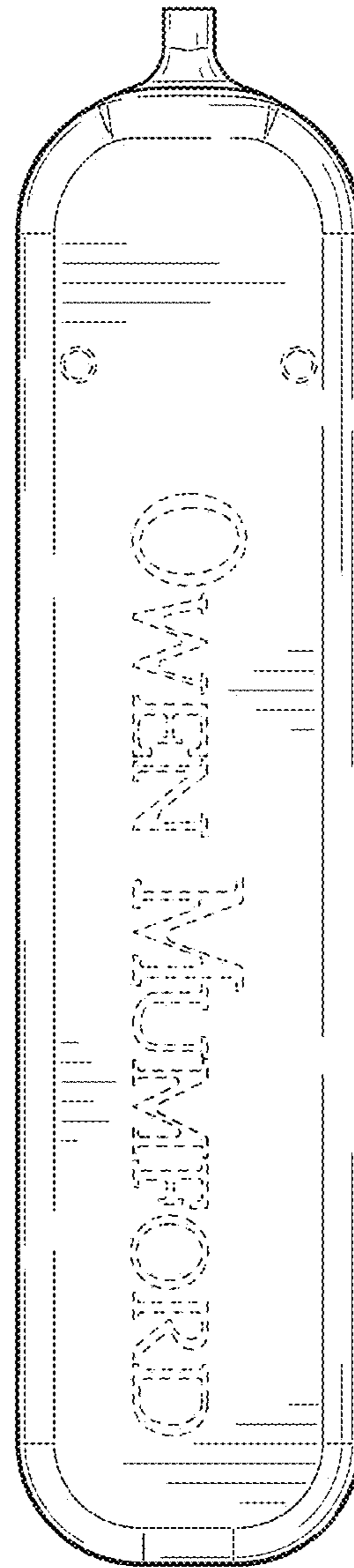


FIG. 7