



US00D972744S

(12) **United States Design Patent**
Sedic

(10) **Patent No.:** **US D972,744 S**
(45) **Date of Patent:** **** Dec. 13, 2022**

- (54) **STIMULATION DEVICE**
- (71) Applicant: **Filip Sedic**, Stockholm (SE)
- (72) Inventor: **Filip Sedic**, Stockholm (SE)
- (**) Term: **15 Years**
- (21) Appl. No.: **29/841,535**
- (22) Filed: **Jun. 7, 2022**

D949,387 S *	4/2022	Sedic	D24/215
D958,396 S *	7/2022	Sedic	D24/215
D961,106 S *	8/2022	He	D24/215

Related U.S. Application Data

- (63) Continuation of application No. 29/813,601, filed on Oct. 29, 2021, now Pat. No. Des. 958,396, which is a continuation of application No. 29/726,940, filed on Mar. 6, 2020, now Pat. No. Des. 949,387.
- (51) **LOC (13) Cl.** **28-03**
- (52) **U.S. Cl.**
USPC **D24/215**
- (58) **Field of Classification Search**
USPC D24/133, 200, 211, 212, 213, 214, 215;
D30/160; D14/228
CPC A61H 19/34; A61H 19/40; A61H 19/50;
A61H 19/30; A61H 2205/087; A61H
19/00
See application file for complete search history.

References Cited

U.S. PATENT DOCUMENTS

D819,222 S *	5/2018	Nelson	D24/215
D857,224 S *	8/2019	Fuhner	D24/215
D866,783 S *	11/2019	Sedic	D24/211
D868,990 S *	12/2019	Tse	D24/215
D888,266 S *	6/2020	Zhou	D24/215
D902,426 S *	11/2020	Cornaro	D24/215

OTHER PUBLICATIONS

Lelo, "SILA", Access Date: Sep. 29, 2022. https://www.lelo.com/sila?gclid=CjwKCAjwp9qZBhBkEiwAsYFsb-DhfUUvYVHkwE2y1bN0X8i14SfkeFtjLRajCrjx6VsMa9nE_fSKixoCiD0QAvD_BwE (Year: 2022).*

Amazon, "Lelo 77098_Sila Sonic", Date First Available: Oct. 1, 2020. https://www.amazon.com/LELO-Massager-Waterproof-Stimulation-Vibrating/dp/B08L9WXQ79/ref=cm_cr_arp_d_product_top?ie=UTF8 (Year: 2020).*

* cited by examiner

Primary Examiner — Michael A Maharajh
(74) *Attorney, Agent, or Firm* — Evan Feldstein

(57) **CLAIM**

I claim the ornamental design for a stimulation device, as shown and described.

DESCRIPTION

FIG. 1 is a perspective view of a stimulation device, showing my new design.

FIG. 2 is a rear view of the stimulation device.

FIG. 3 is a front view of the stimulation device.

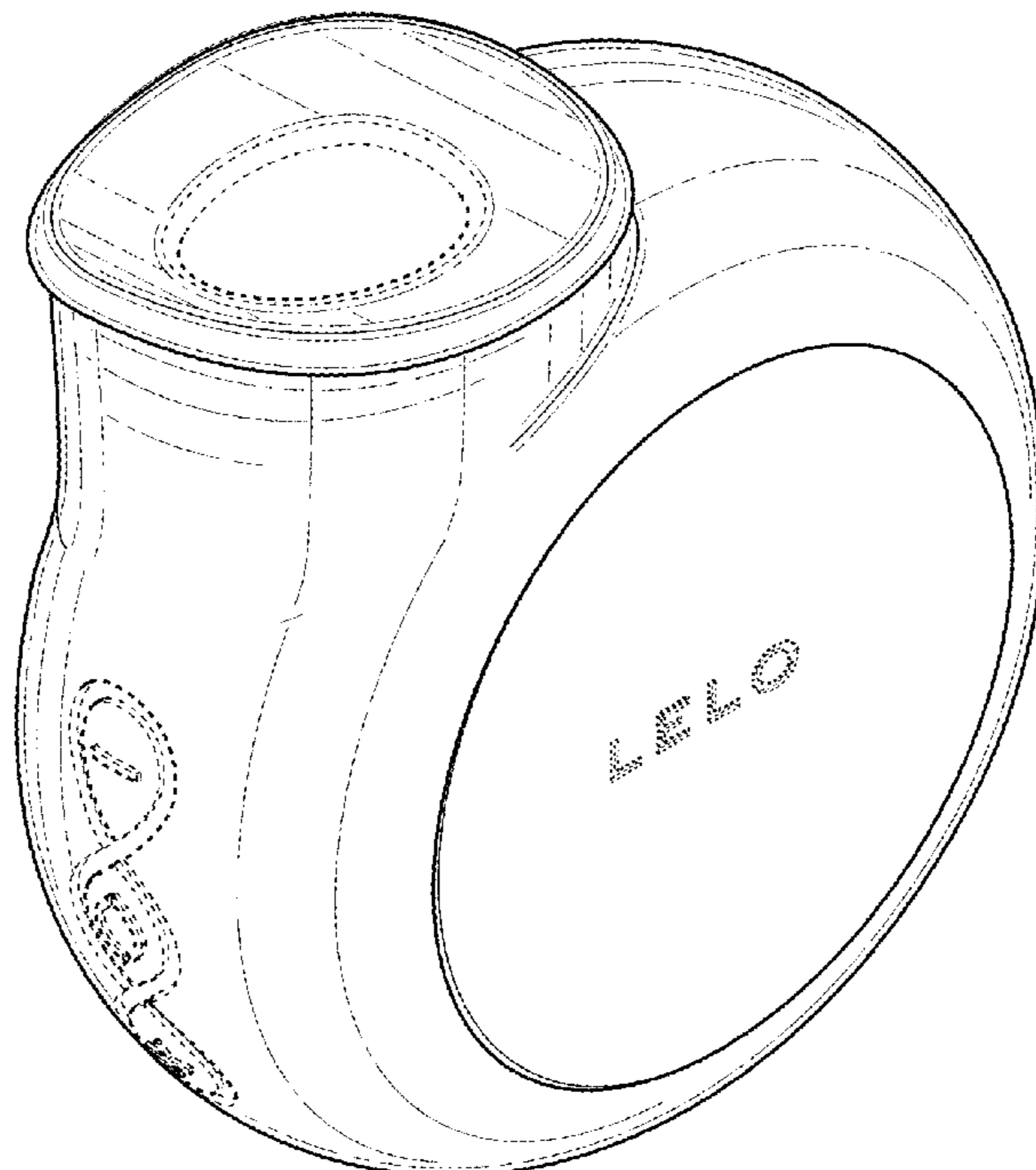
FIG. 4 is a right side view of the stimulation device.

FIG. 5 is a left side view of the stimulation device.

FIG. 6 is a bottom view of the stimulation device; and, FIG. 7 is a top view of the stimulation device.

The broken lines shown in the drawings are for the purposes of illustrating environmental structure, which form no part of the claimed design.

1 Claim, 4 Drawing Sheets



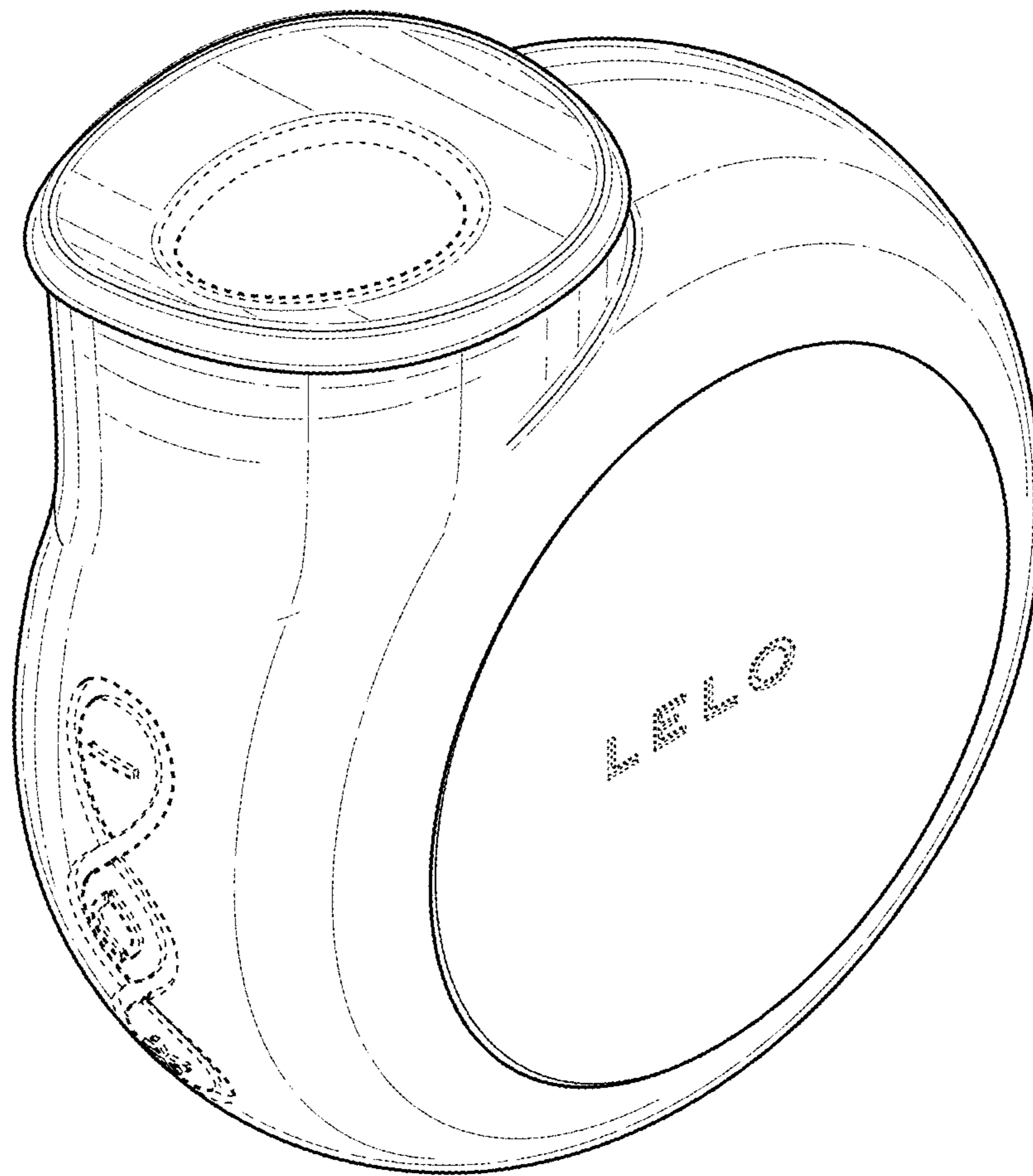


FIG. 1

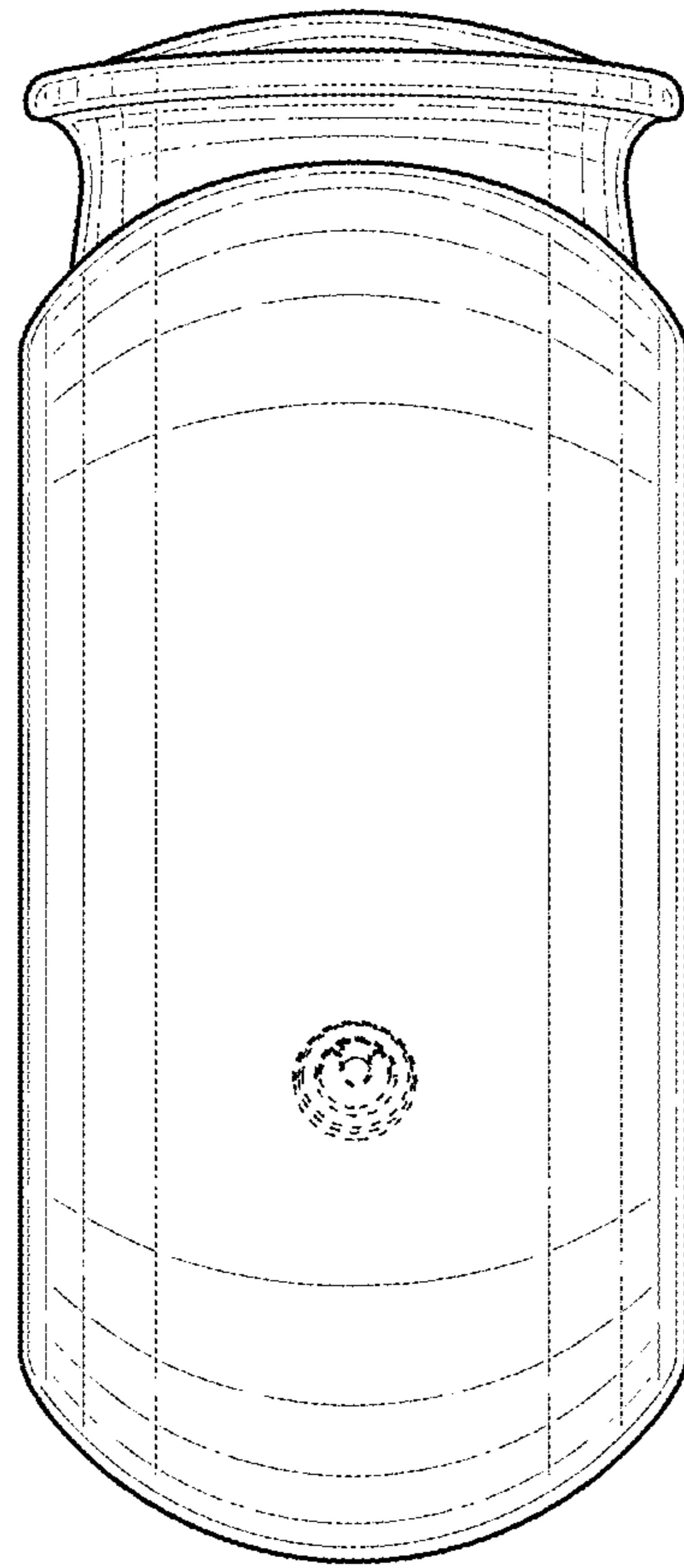


FIG. 2

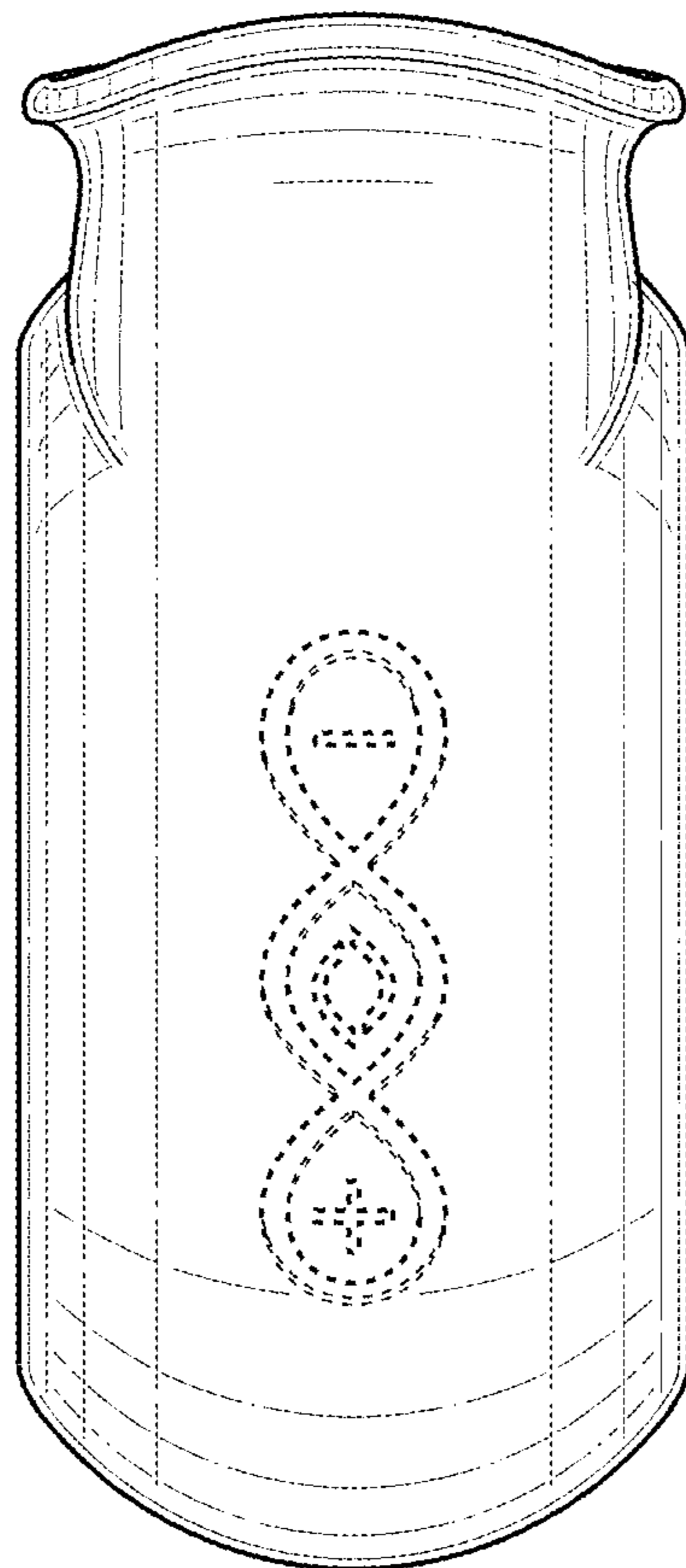


FIG. 3

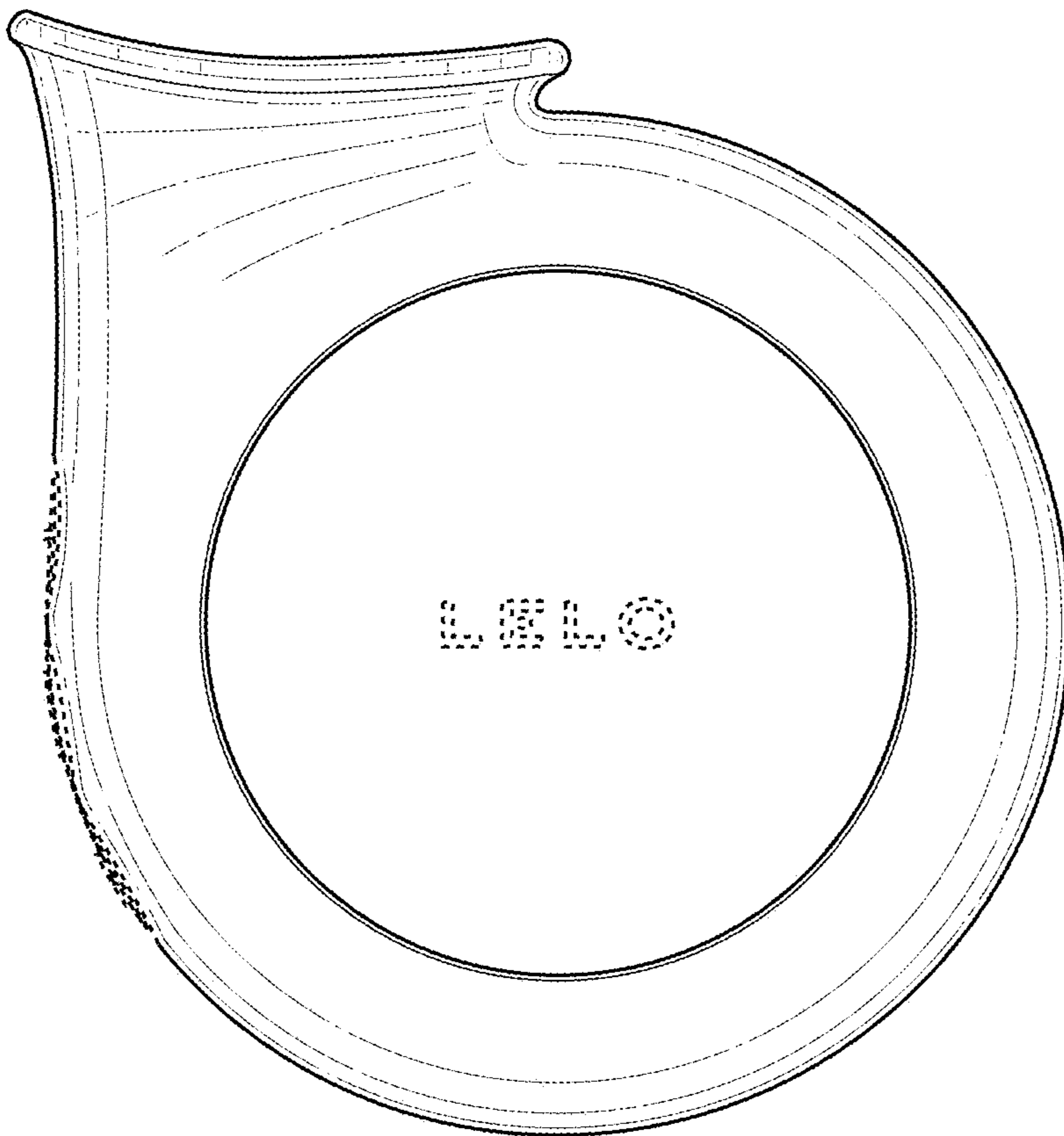


FIG. 4

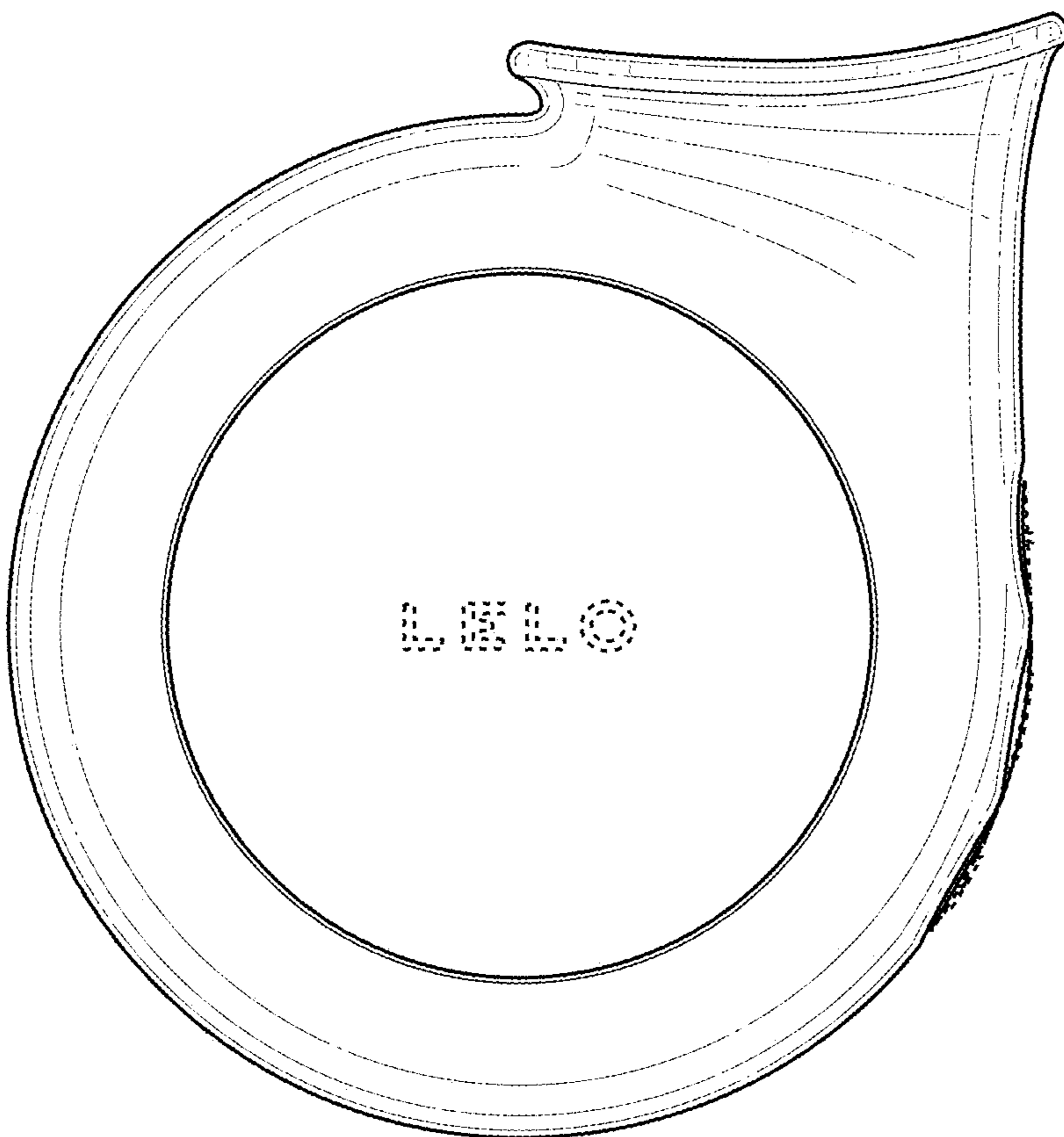


FIG. 5

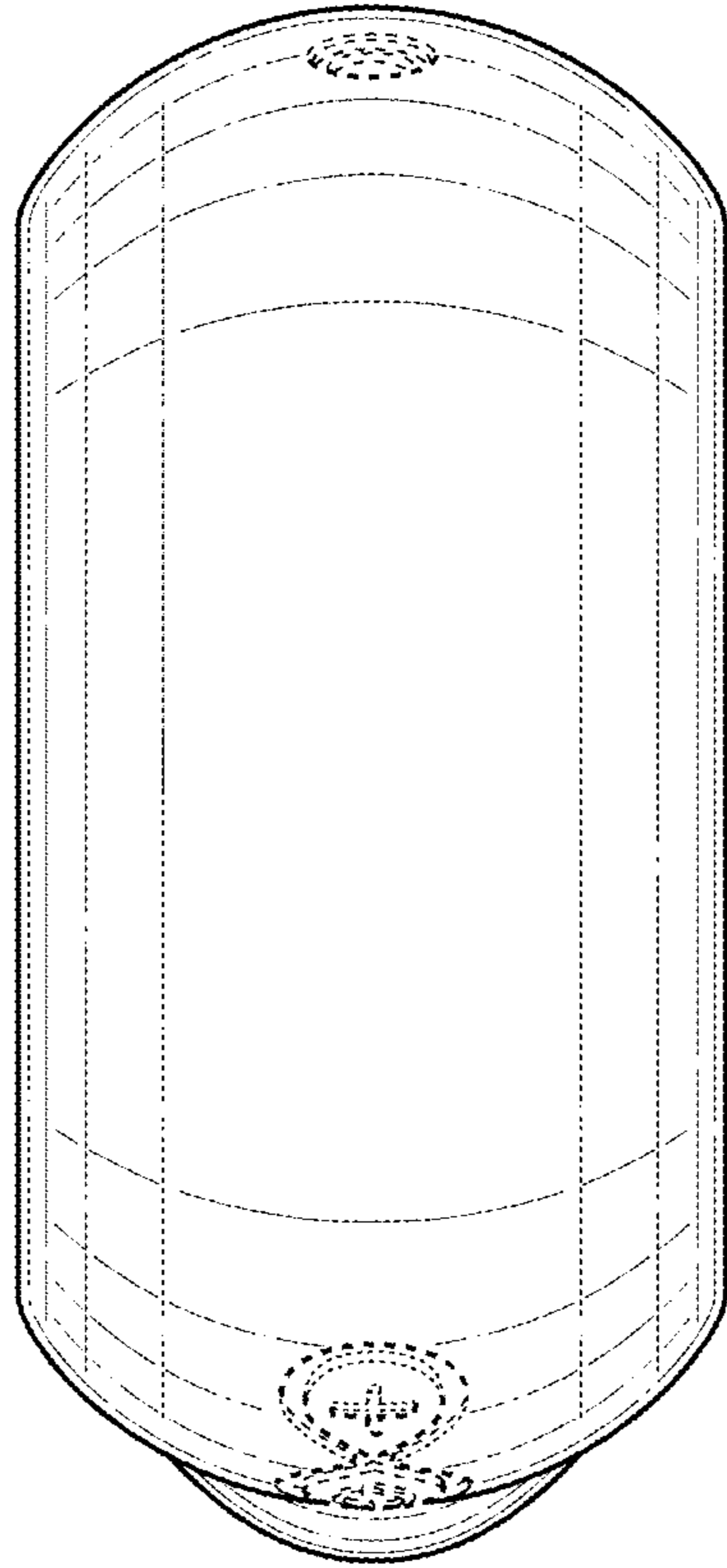


FIG. 6

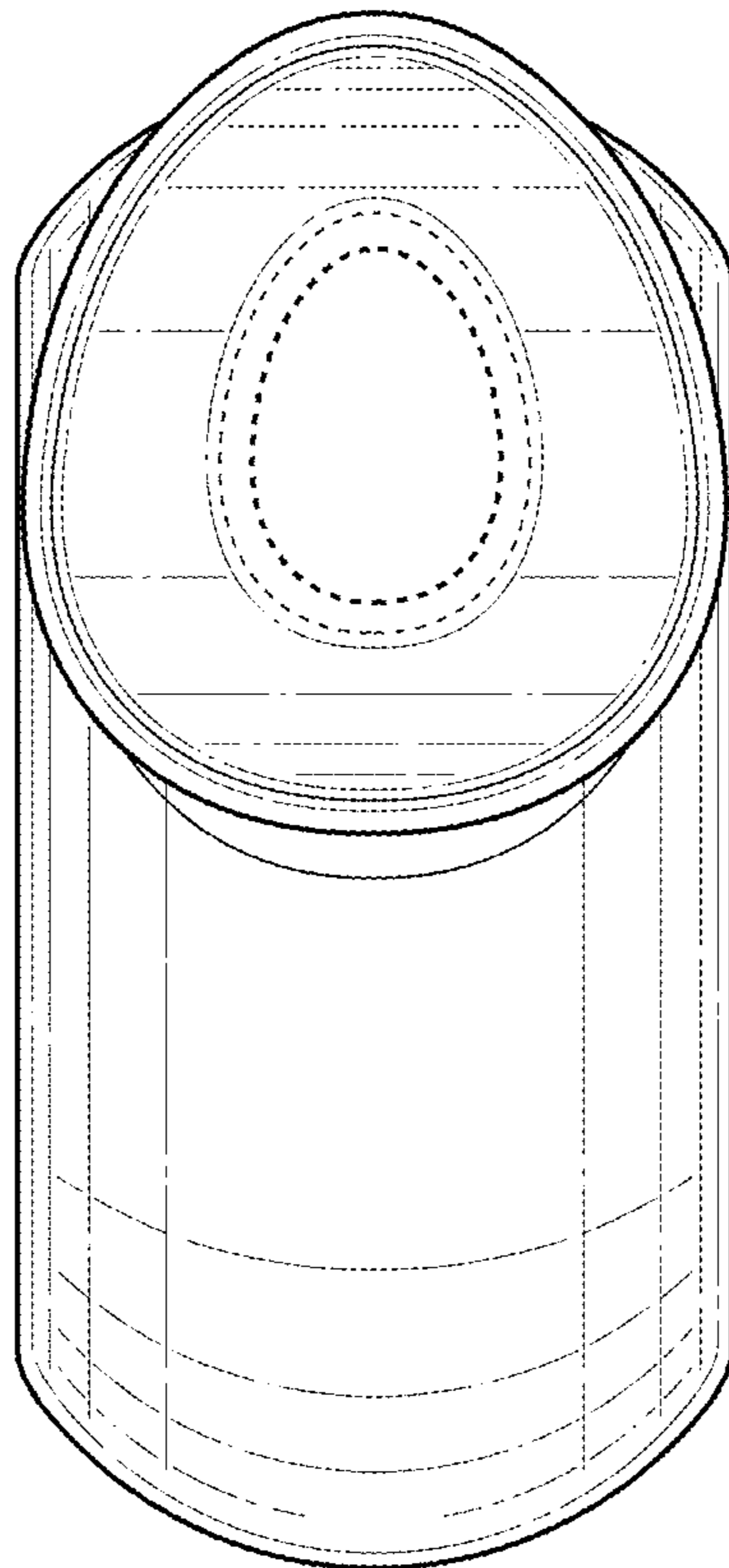


FIG. 7