



US00D972743S

(12) **United States Design Patent** (10) **Patent No.:** **US D972,743 S**  
**Wersland et al.** (45) **Date of Patent:** **\*\* Dec. 13, 2022**

(54) **VIBRATION MASSAGE DEVICE**  
(71) Applicant: **Therabody, Inc.**, Los Angeles, CA (US)  
(72) Inventors: **Jason Wersland**, Los Angeles, CA (US); **Benjamin Nazarian**, Los Angeles, CA (US); **Jaime Sanchez Solana**, Los Angeles, CA (US); **Eduardo Merino**, Los Angeles, CA (US); **Trent Hernandez**, Los Angeles, CA (US)

D810,680 S 2/2018 Carreon  
D812,237 S 3/2018 Cole  
D879,986 S 3/2020 Wersland  
D882,105 S 4/2020 Lee  
D927,719 S 8/2021 Meissner  
D932,040 S 9/2021 Sedic  
11,160,723 B2 11/2021 Wersland  
D951,470 S \* 5/2022 Wersland ..... A61H 23/006  
D24/215  
2013/0074307 A1 3/2013 Da Silva  
(Continued)

(73) Assignee: **Therabody, Inc.**, Los Angeles, CA (US)  
(\*\*) Term: **15 Years**  
(21) Appl. No.: **29/837,649**  
(22) Filed: **May 6, 2022**

**OTHER PUBLICATIONS**  
Theragun Mini—All-New 4th Generation Portable Muscle Treatment Massage Gun by TheraGun. Amazon. Oldest review date: Jun. 1, 2020. Retrieval date: Oct. 13, 2021. Retrieved from internet: <https://www.amazon.com/Theragun-Mini-Generation-Portable-Treatment/dp/B086Z6LNVS> (Year: 2020).  
*Primary Examiner* — Mary Shannon Malley  
*Assistant Examiner* — Lee D. Starr  
(74) *Attorney, Agent, or Firm* — Sterne, Kessler, Goldstein & Fox P.L.L.C.

**Related U.S. Application Data**

(62) Division of application No. 29/708,815, filed on Oct. 9, 2019, now Pat. No. Des. 951,470.  
(51) **LOC (13) Cl.** ..... **24-01**  
(52) **U.S. Cl.**  
USPC ..... **D24/215**  
(58) **Field of Classification Search**  
USPC ..... D24/200, 133, 186, 187, 206, 209–211, D24/214, 215, 165–168; D8/107, D8/310–312  
CPC .... A61H 2201/0153; A61H 2201/0157; A61H 2201/1253; A61H 23/00; A61H 23/004; A61H 23/006; A61H 23/02; A61H 23/04; A61H 1/008  
See application file for complete search history.

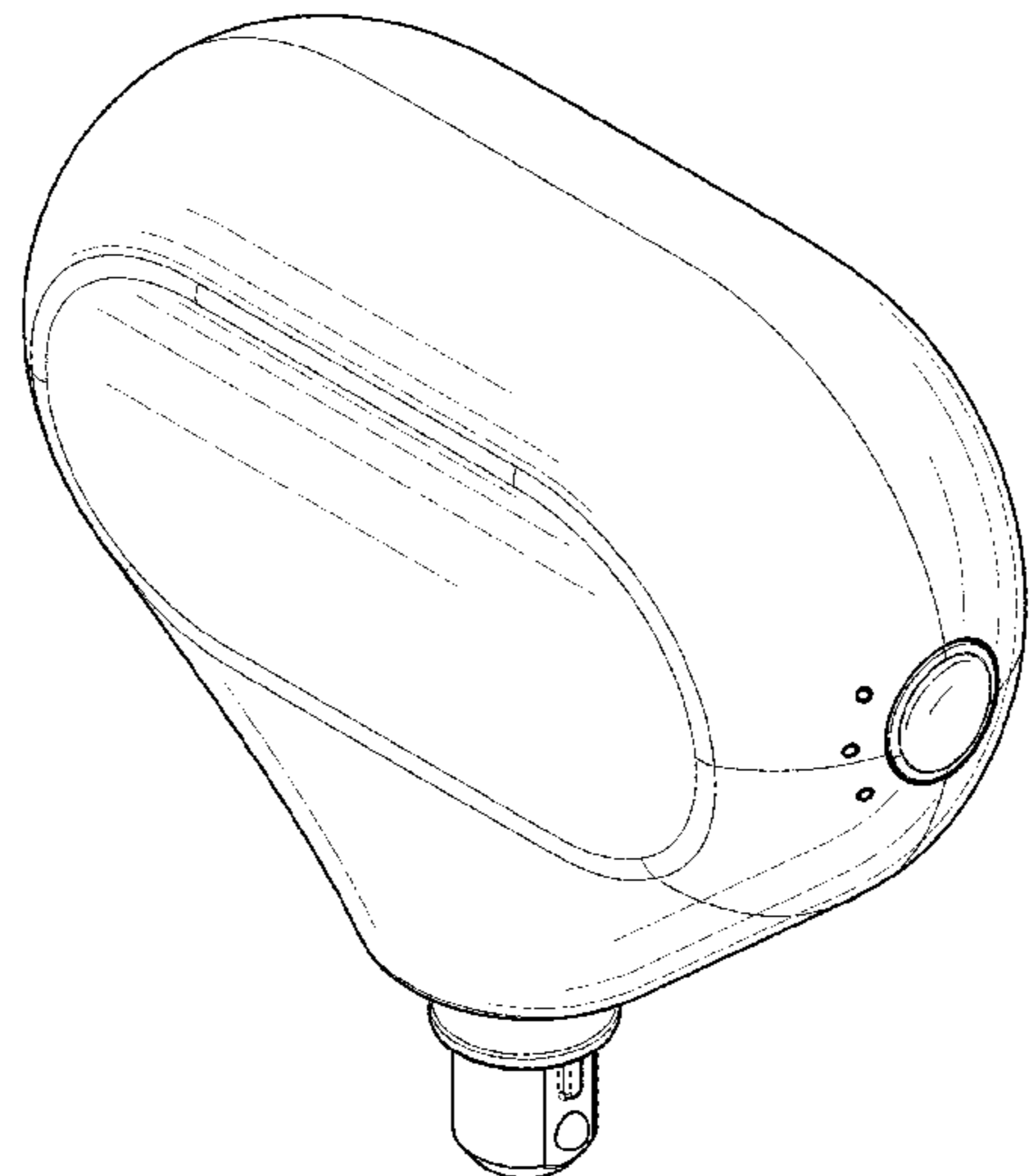
(57) **CLAIM**  
The ornamental design for a vibration massage device, as shown and described.

**DESCRIPTION**

FIG. 1 is a perspective view of the vibration massage device, showing our new design;  
FIG. 2 is a front elevational view thereof;  
FIG. 3 is a rear elevational view thereof;  
FIG. 4 is a right side elevational view thereof;  
FIG. 5 is a left side elevational view thereof;  
FIG. 6 is a top plan view thereof;  
FIG. 7 is a bottom plan view thereof; and,  
FIG. 8 is a cross-sectional view thereof taken along line 8-8 in FIG. 2.

(56) **References Cited**  
**U.S. PATENT DOCUMENTS**  
D696,411 S 12/2013 Imboden  
D727,523 S 4/2015 Qian

**1 Claim, 6 Drawing Sheets**



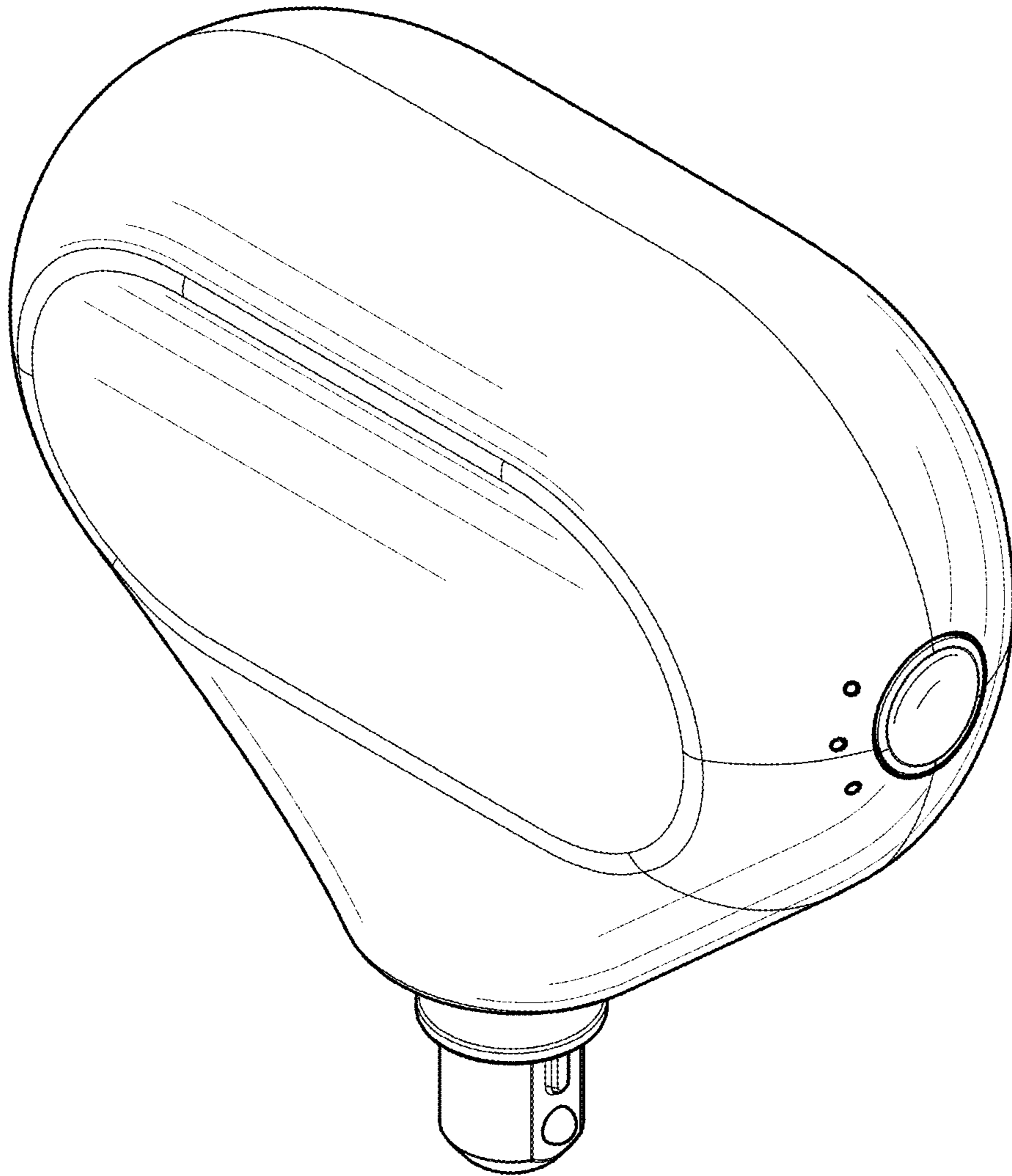
(56)

**References Cited**

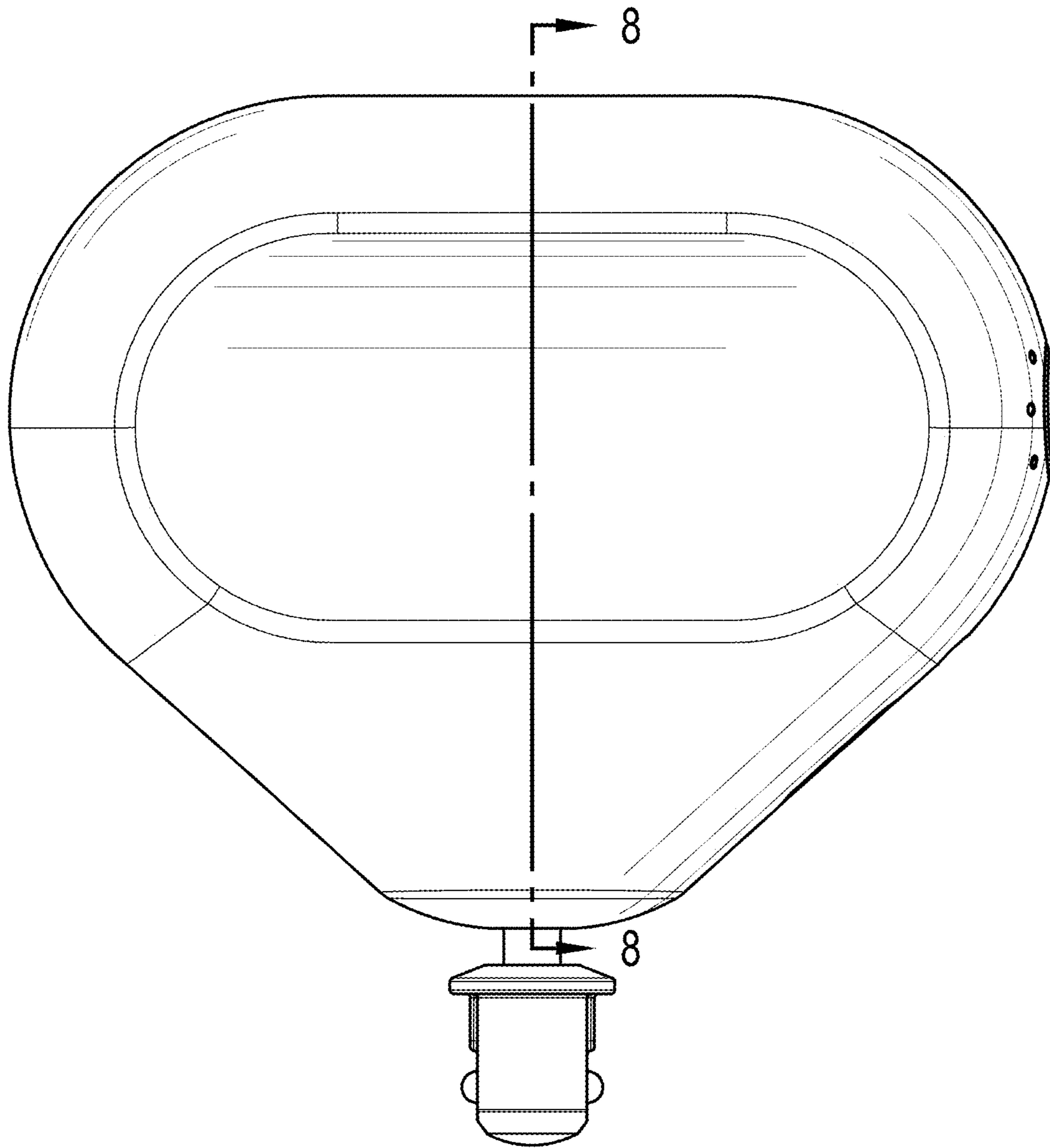
U.S. PATENT DOCUMENTS

2013/0085556 A1 4/2013 Gillespie  
2020/0352821 A1 11/2020 Wersland  
2022/0047451 A1\* 2/2022 Wersland ..... A61H 23/0263

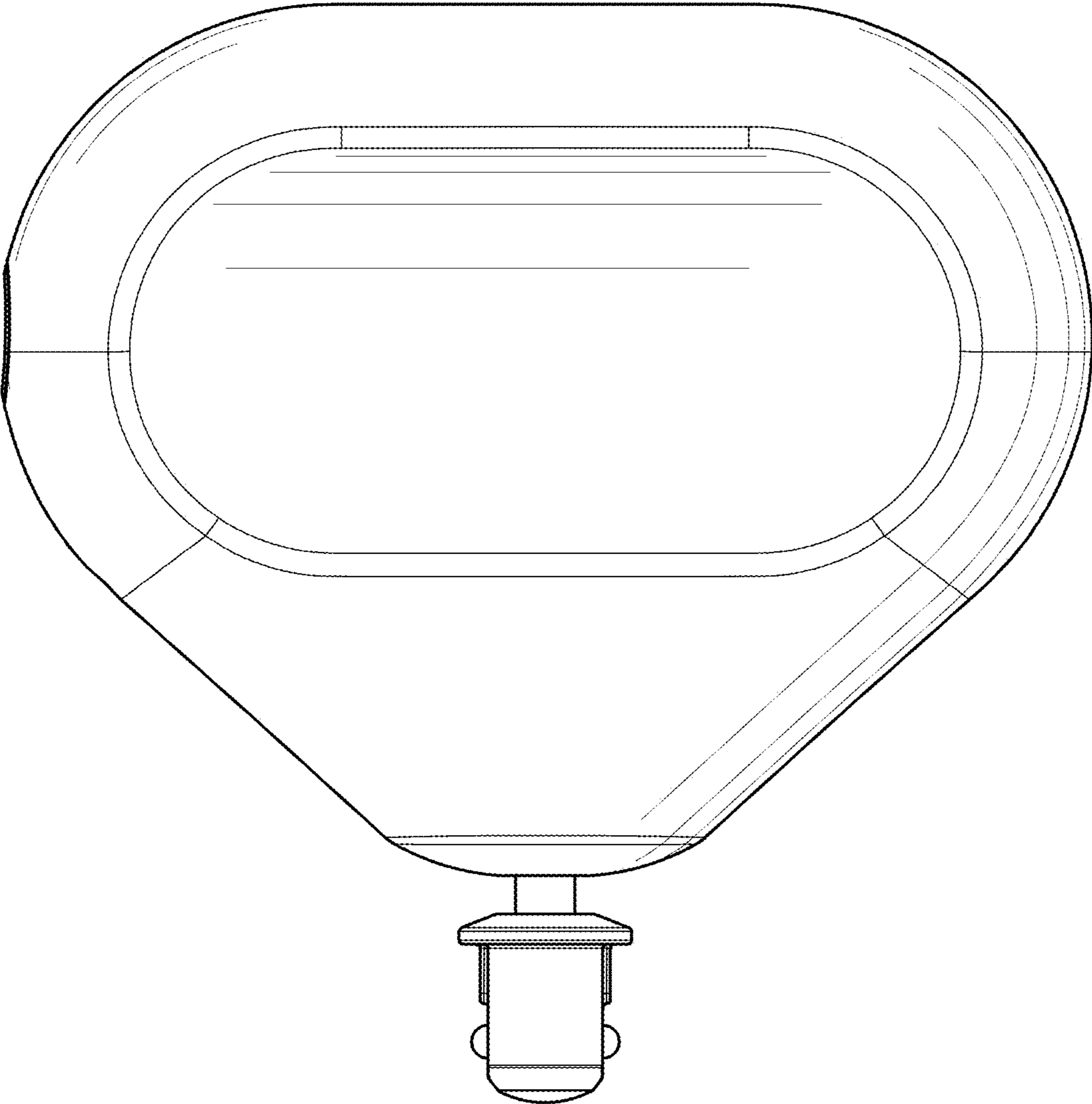
\* cited by examiner



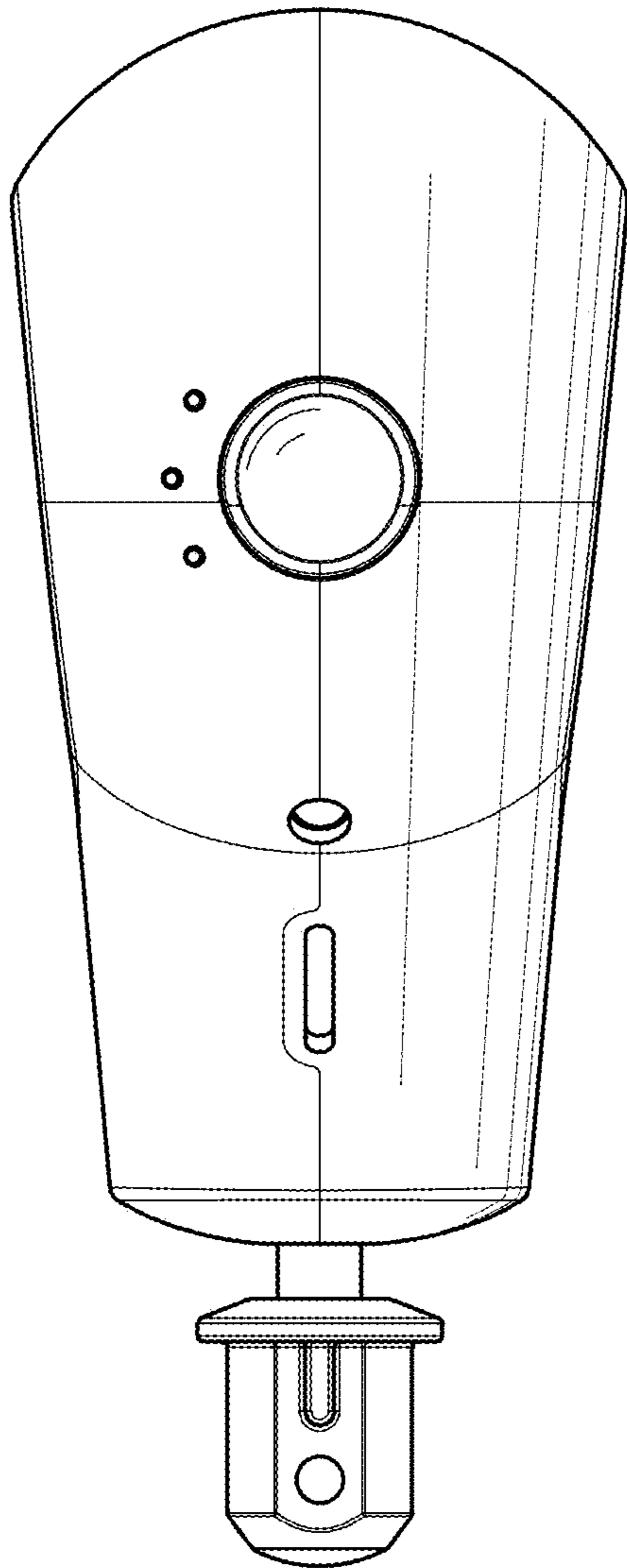
*FIG. 1*



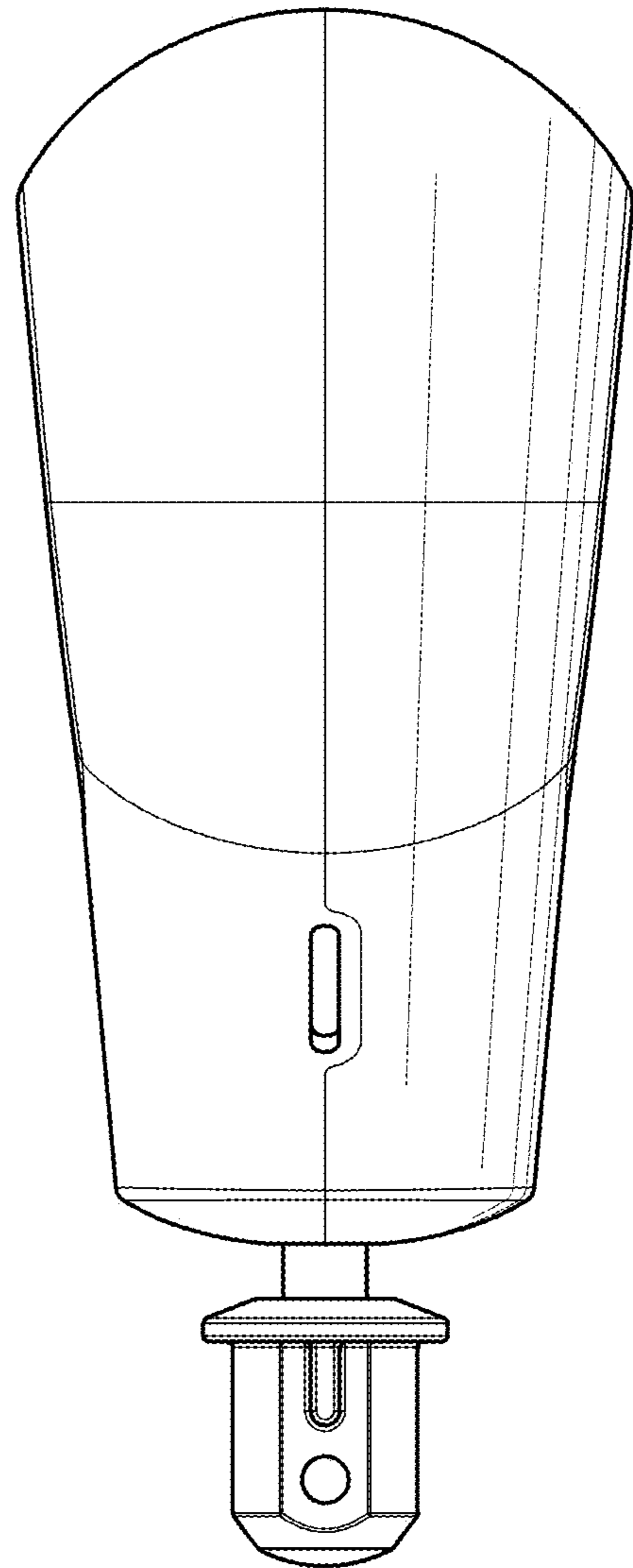
*FIG. 2*



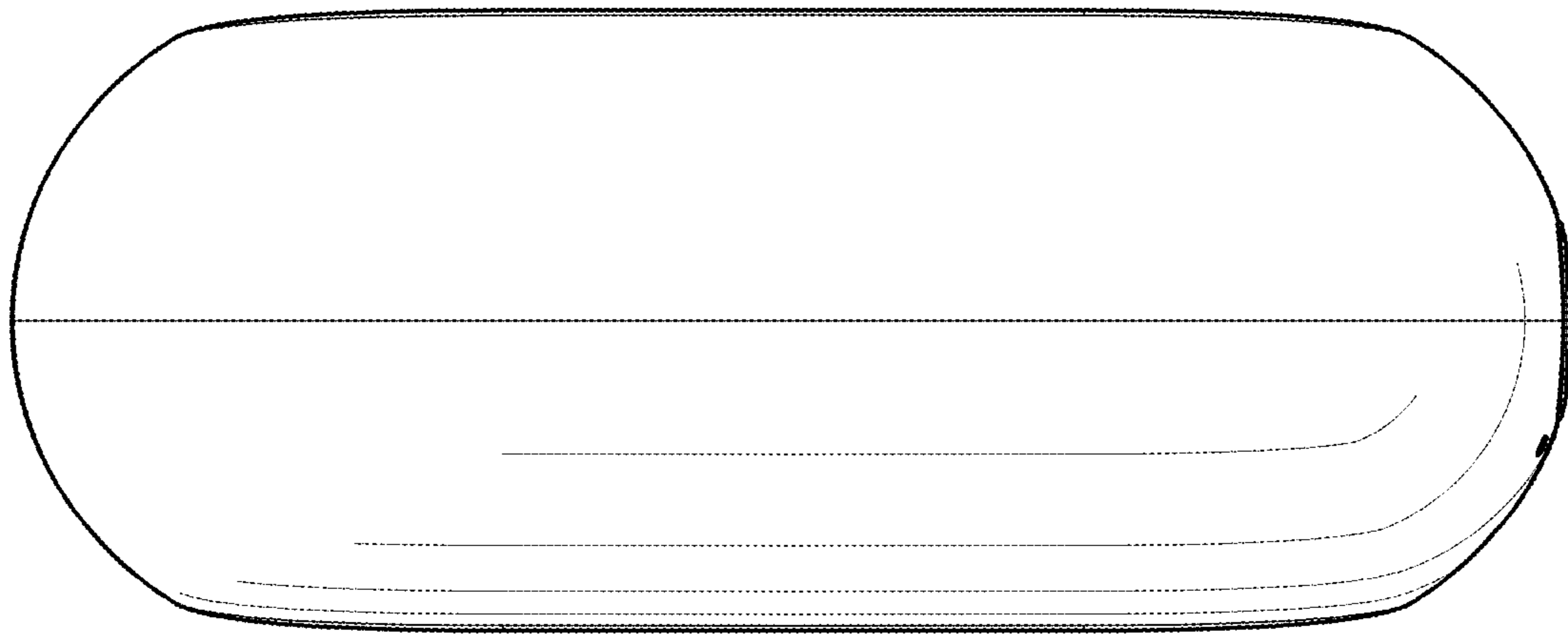
*FIG. 3*



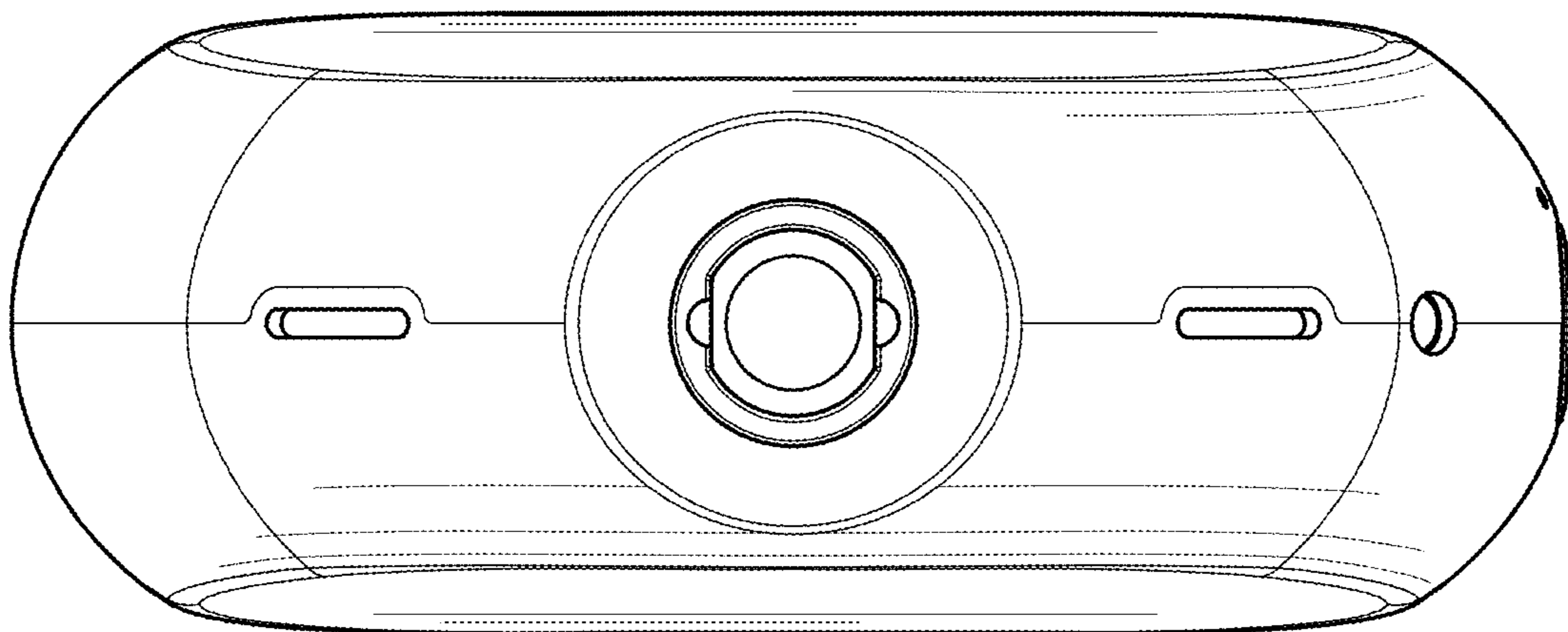
*FIG. 4*



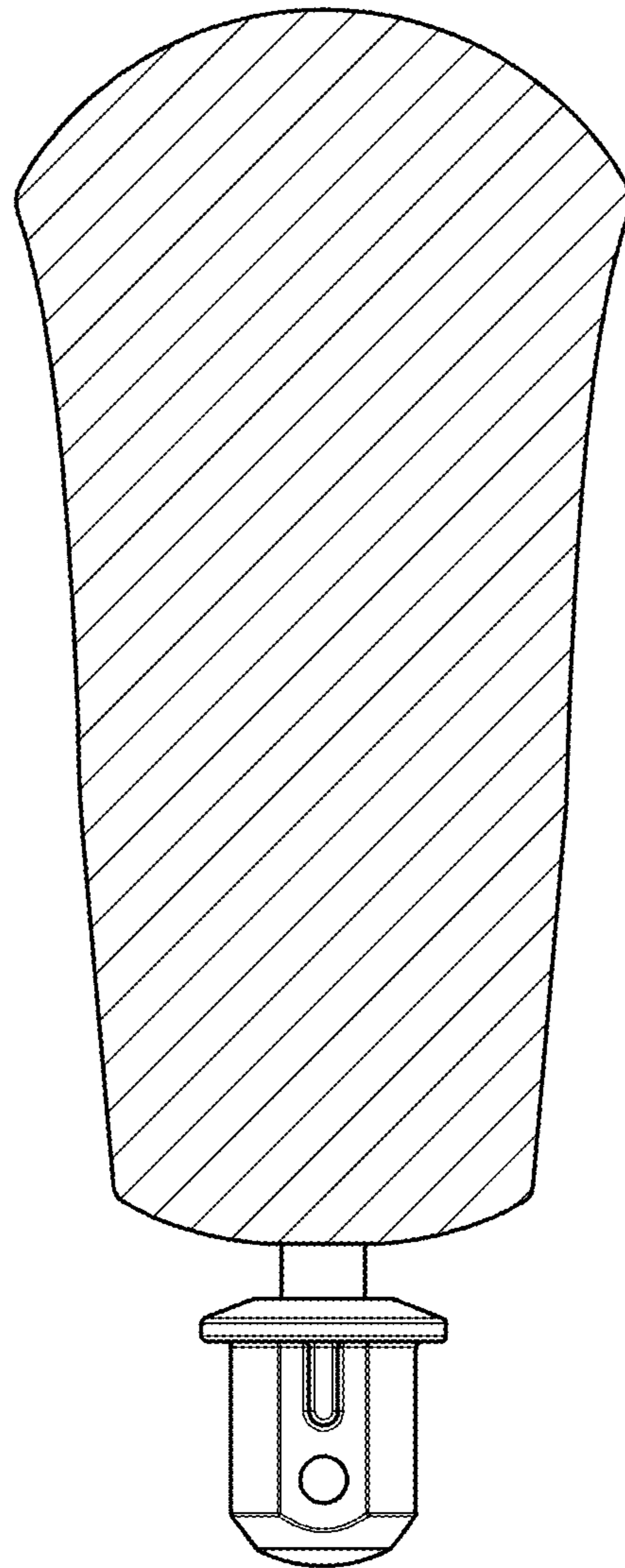
*FIG. 5*



*FIG. 6*



*FIG. 7*



*FIG. 8*